

Steel Pergola

All Steel Frame with Powder Coating



INSTRUCTIONS

<i>Parts</i>	<i>3</i>
<i>Pergola Assembly</i>	<i>4-11</i>
<i>Warranty</i>	<i>12-13</i>

Distributed By T.D.C. USA INC.

Fairfield, NJ 07004

©2016 All Rights Reserved. Made in China

?/Comments: 1-800-599-8898 9am-5pm EST

www.tdcusainc.com

Customer Service

1-800-599-8898

Freight & Packing:

TDC will be responsible for shipping, handling, and packaging charges for all valid warranty claims.

Care & Maintenance:

Be careful to never allow water build up in frames as this will cause corrosion and freeze damage in cold climates. Wash all frames with a solution of mild soap and water. Rinse with clean water and dry with a soft absorbent cloth towel. Frames can be treated with a liquid wax for maximum protection against UV rays and/or salty damp air. If your set includes cushions, slings, and/or an umbrella, they may be cleaned by hand with a solution of soap and water with a clean water rinse.

EXCLUSION:

- Damage caused by acts of nature
- Wind damage
- Failure caused by unreasonable, unanticipated or abusive use
- Failure caused by a lack of reasonable and necessary care and maintenance
- Normal fade of fabrics, upholstery or woven materials
- Glass table tops
- Bursting or cracking of tubing due to exposure to water and freezing temperatures
- Changes in wood color due to the natural aging of the wood

Lack of original receipt will void warranty.

Customer Service: Monday-Friday 9:00am-5:00pm EST

By Phone: 800-599-8898











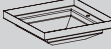
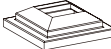


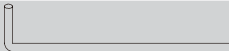
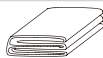


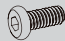




By E-mail: support@tdcusainc.com

Getting Started

Identify all parts packaged in carton against the parts list. Remove all protective materials and place parts on a non-abrasive surface to avoid scratching. If any parts are missing or damaged, DO NOT attempt to assemble. Please contact our customer service center (Monday-Friday 9:00am – 5:00pm EST) at 1-800-599-8898 or email: support@tdcusainc.com.

Caution: Read all the instructions before assembly. Failure to do so may result in faulty assembly and potential injury! Assemble product on a soft, non-abrasive surface such as a carpet or cardboard to avoid damaging the item. Seek assistance to assemble bulky or heavy items. After final alignment, make sure all bolts and nuts are securely tightened with screw covers pressed in place.

Please take down canopy during windy conditions.

A	Pole		4
B	Crossbeam		2
C	Crossbeam		2
D	Crossbeam		2
E	Crossbeam		2
F	Canopy Support		5
G	Canopy Support		5
H	Canopy Guide Bar		2
I	Canopy Weight Bar		2
J	Support		8
K	Cover		4
L	Cover		4
M	Foot		4
N	Knobs		4
O	Stakes		16
P	Canopy		1
Q	Ties		8
R	Hex Key		1
1	M6 * 10 Screw		8
2	M6 * 15 Screw		24
3	M6 * 36 Screw		12
4	M6 * 60 Screw		10
5	M6 * 75 Screw		16

LIMITED WARRANTY

Please contact our service hotline by phone, email or fax before sending the device. This allows us to provide support in the event of possible operator errors.

All furniture manufactured and sold by TDC USA, Inc. is warranted to the original purchaser against defects in workmanship and materials. If a product manufactured by TDC fails during the first year from date of purchase under the terms of our limited warranty, TDC will replace the item at no charge. After one year, it will be the original purchasers' responsibility to pay for freight and packing. TDC reserves the right, in the case of discontinued or out of production models, to replace with an item of similar quality. (Glass breakage is not warranted.)

Note: You must retain original receipt to obtain warranty!

Frames:

Frames are warranted against defects in materials and workmanship from the date of original purchase. Damage to frames or welds due to commercial use, improper assembly, exposure to water and sub-freezing temperatures, and/or abuse are not covered.

Fabric:

Fabric on cushions, slings, and umbrellas is warranted against separation at the seams. Fading, mildew, and/or discoloration due to exposure to elements, chemicals, and spills are not covered.

Powder coat and/or Paint:

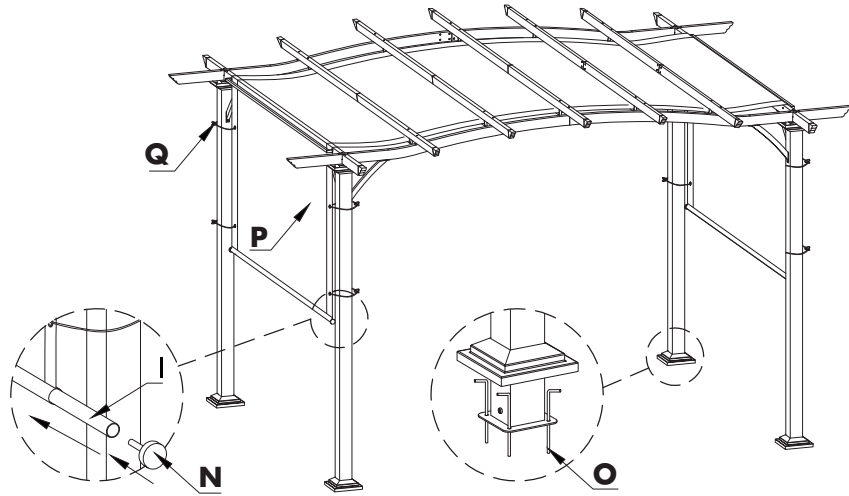
The finish is warranted against blistering, peeling, or cracking. Fading resulting from exposure to elements, chemicals, and spills are not covered. Scratches and chips due to normal wear and use are not covered.

Umbrella:

Umbrella frames are warranted against manufacturer's defects in workmanship and materials.

Safety Warning! Umbrellas must be closed when not in use and taken down in windy conditions.

Step 8:

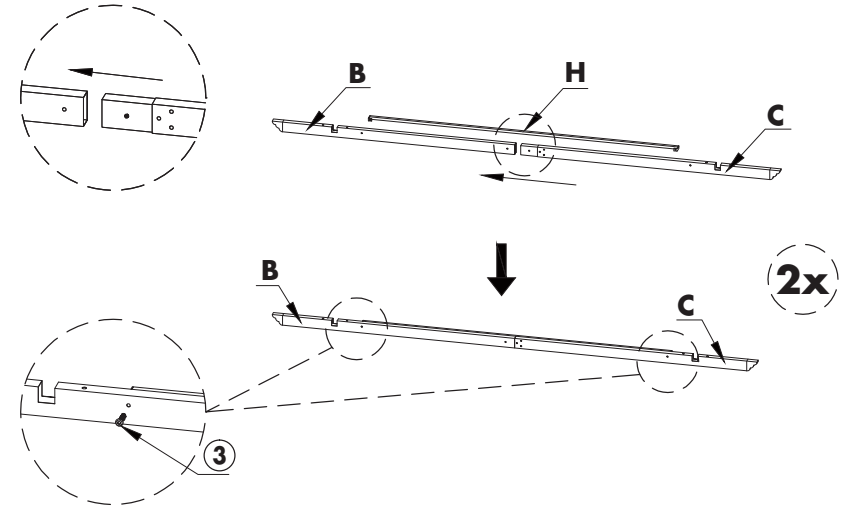


Place Canopy (P) over Canopy Supports (F & G). Pull Canopy (P) between Canopy Guide Bar (H) and assembled Crossbeams (B & C) at either end of pergola frame.

Run Canopy Weight Bar (I) through sleeves at either end of Canopy (P). Insert Knobs (N) at either end of Canopy Weight Bar (I) and tighten. Run Ties (Q) through grommet holes on either side of Canopy (P). Tie them around each Pole (A) to keep Canopy (P) from swaying when windy.

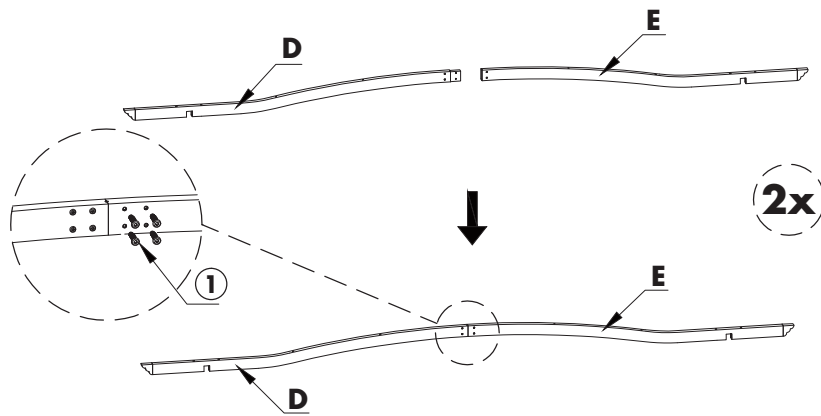
Lift Cover (L) up and run four Stakes (O) through designated holes of Foot (M) and into the ground. Do this with each pole for extra stability.

Step 1:



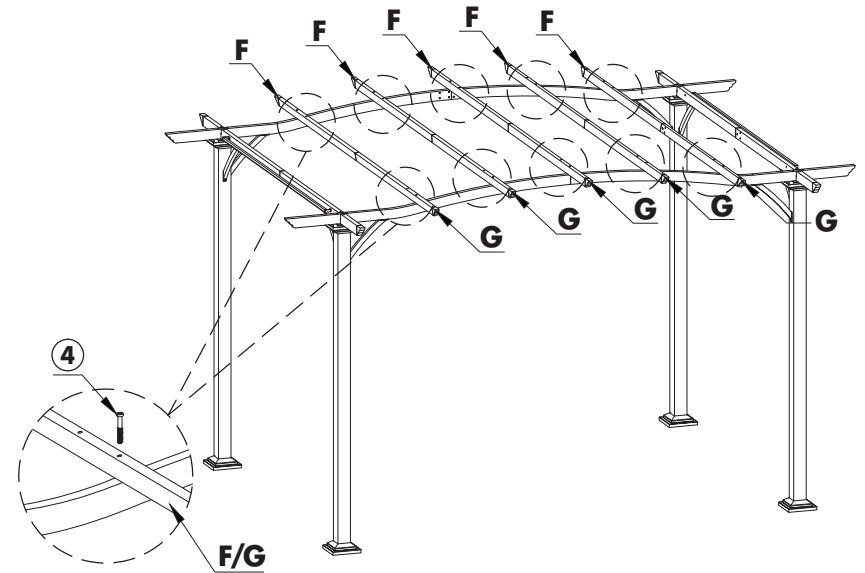
Insert Crossbeam (C) into Crossbeam (B) so that they lock in place. Place Canopy Guide Bar (H) against the assembled crossbeams. Insert two Screws M6x36 (3) through both crossbeams and into Canopy Guide Bar (H); tightened down to hold parts together.

Step 2:



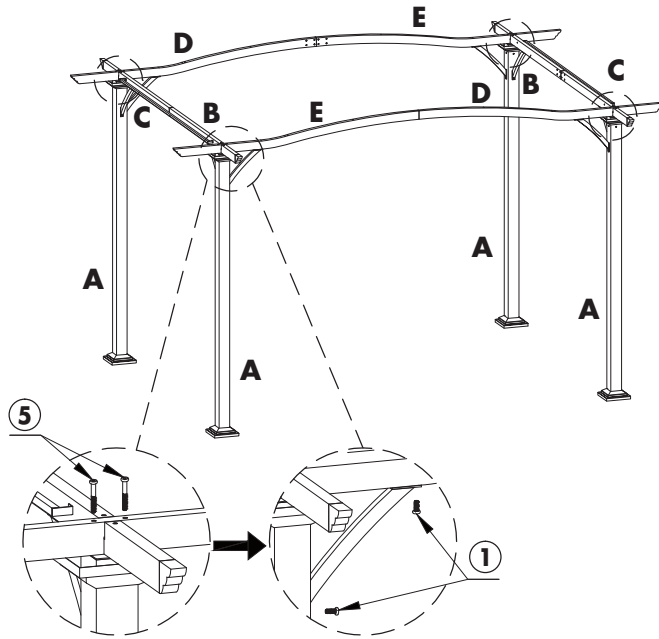
Insert Crossbeam (D) into Crossbeam (E). Insert two Screws M6x10 (1) through Crossbeam (E) and into Crossbeam (D); tightened down to hold parts together.

Step 7:



Place all five assembled Canopy Supports (F & G) across the top of the frame so that they are resting against Crossbeams (D & E). Insert Screws M6x60 (4) through both ends of assembled Canopy Supports (F & G) and into Crossbeams (D & E). Tighten all screws that have been left loose throughout the building process.

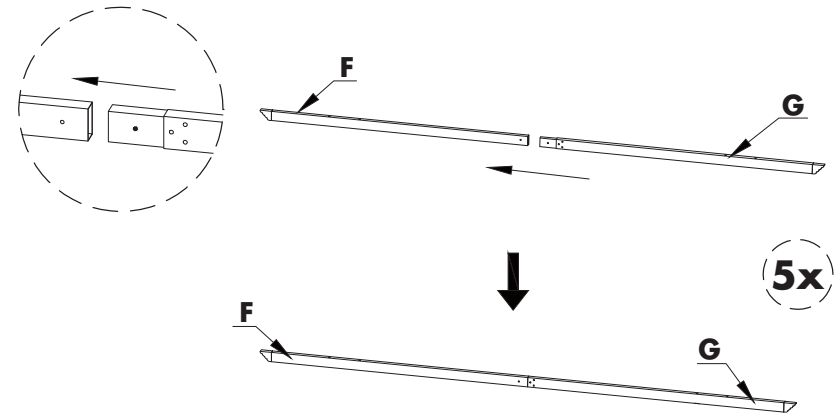
Step 6:



Insert cutout notch of assembled Crossbeams (D & E) into cutout notch of Crossbeams (B & C), which are connected to Poles (A). With all crossbeams sets connected, you will have a rectangular frame erected. The Canopy Guide Bars (H) connected to Crossbeams (B & C) should be facing outward. Insert two Screw M6x75 (5) through either end of assembled Crossbeams (D & E) and into the top of each Pole (A).

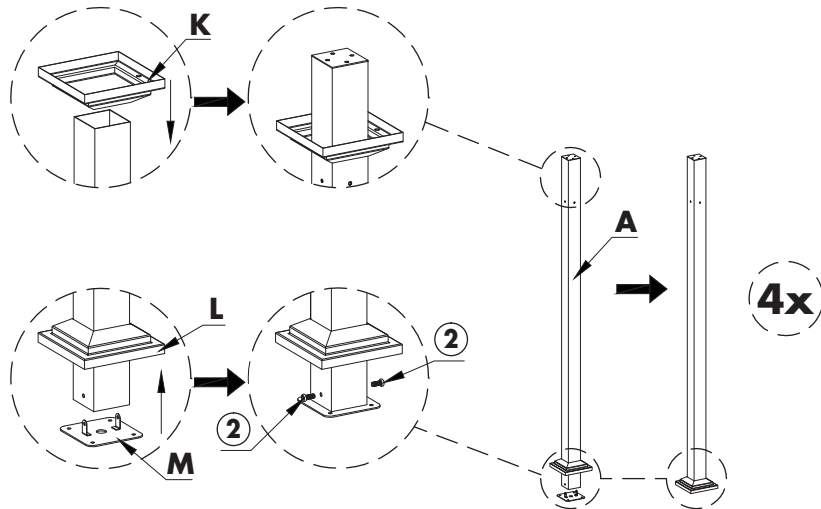
Insert M6x15 (2) through Support (J) and beneath assembled Crossbeams (D & E). Insert second M6x15 (2) through opposite end of Support (J) and into Pole (A).

Step 3:



Insert Canopy Support (G) into Canopy Support (F) so that they lock in place.

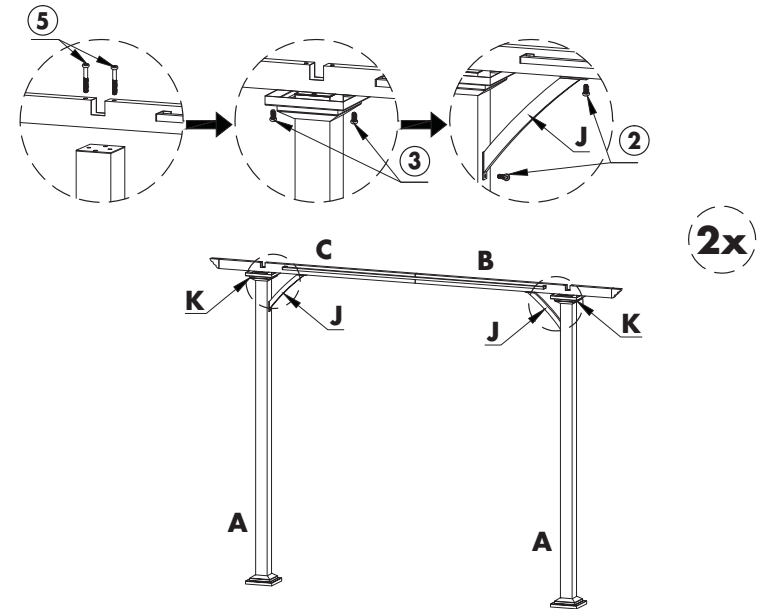
Step 4:



Place Cover (L) onto the Pole (A) from the bottom of the Pole (A). Push it up so that the Foot (M) can be screwed on. Insert Foot (M) into Pole (A) and screw tightly with Screws M6x15 (2).

Place Cover (K) upside down through the top of the Pole (A). Please see above photo for reference.

Step 5:



Place assembled Crossbeams (B & C) on top of two standing Poles (A). Insert two Screw M6x75 (5) through either end of assembled crossbeams and into the top of Pole (A). Follow these steps to connect other end of Crossbeams (B & C) to a second Pole (A).

Insert two Screws M6x36 (3) through Cover (K) and into the bottoms of assembled Crossbeams (B & C).

Insert M6x15 (2) through Support (J) and beneath assembled Crossbeams (B & C). Insert second M6x15 (2) through opposite end of Support (J) and into Pole (A).