

Mercedes-Benz G63 AMG

Foot to Floor Ride-On



Owner's Manual with Assembly Instructions

Made in China.

The owner's manual contains important safety information as well as assembly, use and maintenance instructions. The Ride-on Car must be assembled by an adult who has read and understands the instructions in this manual. Keep the packaging and bags away from children and dispose of all packaging properly before use. Keep this manual for future reference.



**PLEASE DO NOT
RETURN THIS
PRODUCT
TO THE STORE**

We will be happy to correct any problems that you may have, or answer any of your questions regarding the purchase of this product. Please contact us at our Toll Free customer service number 1-800-599-8898 for any assistance and replacement parts. Thank You.

Dist. by TDC USA, Inc. Fairfield, NJ 07004

©2018 All Rights Reserved.

Made in China.

Item# 60774

www.tdcusainc.com



WARNING!

PREVENT INJURIES AND DEATHS:



- **NEVER LEAVE CHILD UNATTENDED. DIRECT ADULT SUPERVISION IS REQUIRED.** Always keep child in view when child is in vehicle.
- This toy should be used with caution since skill is required to avoid falls or collisions causing injury to the user or third parties.
- Protective equipment should be worn.
- Never use in roadways, near cars, on or near steep inclines or steps, swimming pools or other bodies of water.
- Always wear shoes.
- Always sit on the seat.
- Not to be used in traffic.
- This toy is unsuitable for children under 18 months due to its maximum speed; Maximum user weight is 40 lbs.
- This toy has no brake.

RULES FOR SAFE RIDING:

- Keep Children within Safe Riding Areas:
 - Never use in roadway, near motor vehicles, on lawn space, on or near steep inclines or steps, swimming pools or other bodies of water.
- Use the toy only on flat surfaces.
- Never use in the dark. A child could encounter unexpected obstacles and have an accident. Operate the vehicle only in the daytime or a well-lit area.
- Inspect wires and connections of the vehicle periodically.
- Do not let any child touch the wheels or be near them when the car is moving.
- Inspect the product before use. Tightly secure connectors / parts. If damaged components are found contact TDC USA Inc. for replacement parts.

This ride-on car will provide your child with many miles of riding of enjoyment. To help assure you and your rider a safe ride we ask you to please read this manual carefully, and keep it for future reference.

Follow the recommendations in this manual, they are designed to improve the safety and operation of your ride-on car and it's rider.

“Mercedes-Benz”, ,  and the design of the enclosed product are subject to intellectual property protection owned by Daimler AG. They are used by Zhejiang Jiajia Ride-On Co., Ltd. under license.

SPECIFICATIONS:

Age:	18+ Months
Weight Capacity:	Under 40lbs
Size of car:	25.5" x 11" x 16.5"

• Assembly tools required:



Screwdriver
(Not Included)



Long nose pliers
(Not Included)



2X AA Batteries *
(Steering Wheel)

* Batteries not included

WARNING!

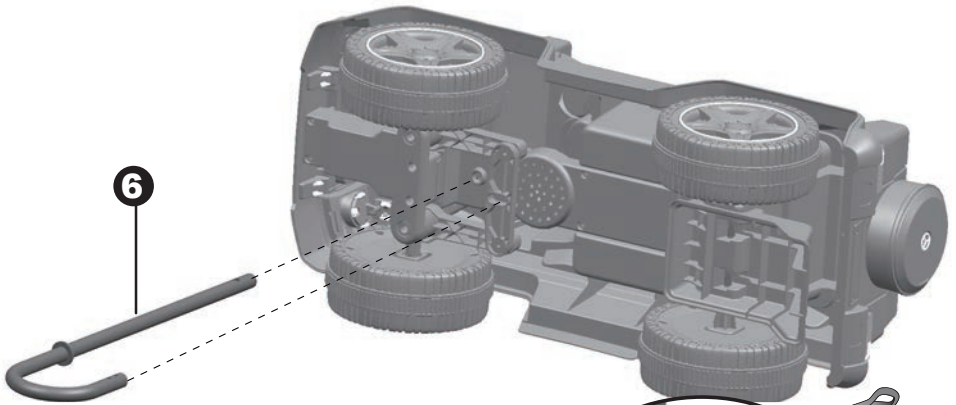
- **CHOKING HAZARD** - Small parts. Not suitable for children under 36 months. The product contains small parts, keep children away when assembling.
- **ADULT ASSEMBLY REQUIRED.**

Parts List | 6

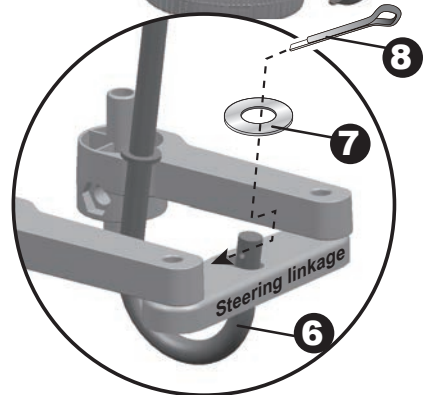
PART NO.	PART NAME	QUANTITY (PCS)
1	Vehicle body	1
2	Steering wheel	1
3	M5x35 machine screw	1
4	Ø5 nut	1
5	Back rest	1
6	Steering column	1
7	Ø10 washer	1
8	Split pin	1
9	Tool Box	1



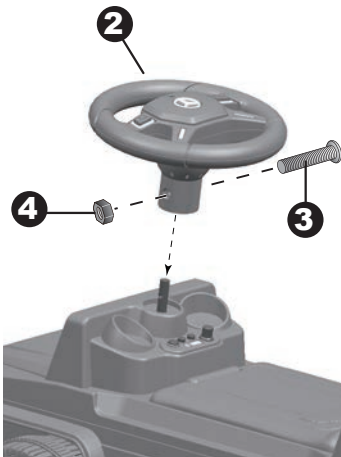
Attach the Steering Wheel | 7



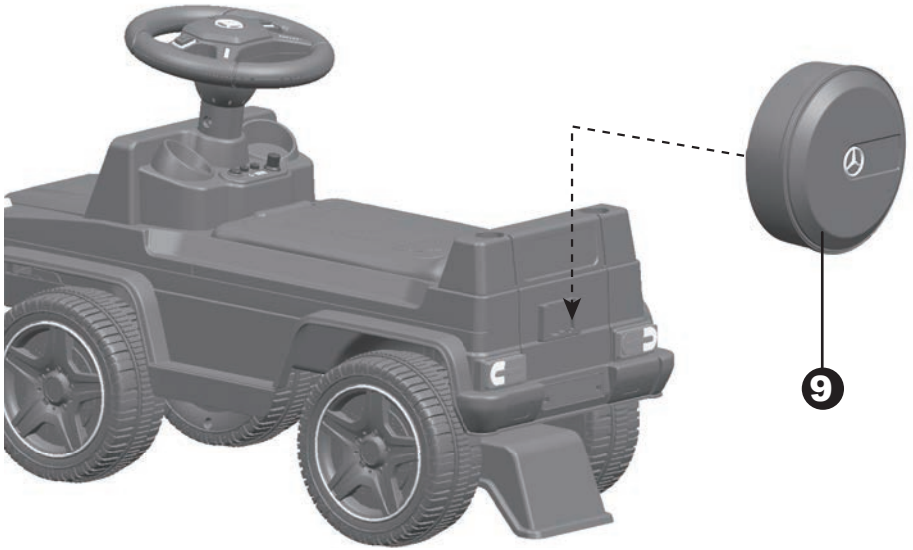
1. Turn the vehicle body on its side.
2. Insert the straight end of the **steering column (6)** up through the **hole on the front of the vehicle body** from the bottom side, and out through the **hole on the dash**.
3. Insert the bent end of the steering column through the hole on the steering linkage.
4. Fit a **Ø10 Washer (7)** onto the bent end of the **steering column**.



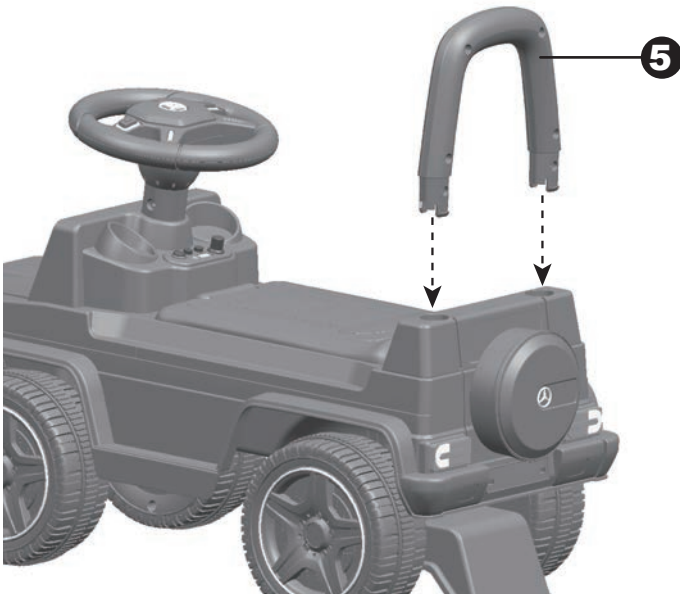
5. Insert a **split pin (8)** into the hole on the bent end of the **steering column**, bend the ends of **split pin** back using **long nose pliers (not Included)**

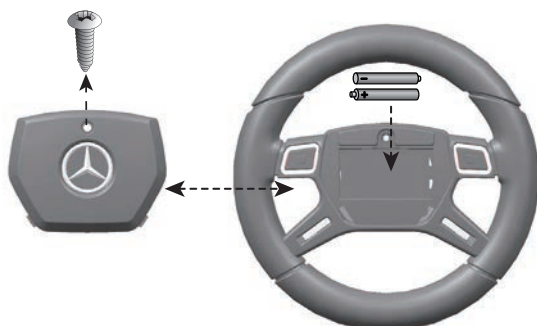


6. Remove the **M5x35 machine screw (3)** and the **Ø5 nut (4)** from the side of the **steering wheel (2)**.
7. Turn the vehicle body upright.
8. Place the **Steering wheel** over the **steering column**, protruding from the middle of the steering wheel base.
9. Align the holes on each side of the **steering wheel** with the holes at the end of the **steering column**.
10. Fasten the **Ø5 nut** on the opposite end of the **M5x35 machine screw** to secure the **steering wheel** to the **steering column**.



1. Fit the **tool box (9)** to the rear of the vehicle.
2. Insert the tabs on the **back rest (5)** and push until you hear it “click” into place.





1. With a screwdriver remove the screw on the **battery cover** located in the center of the steering wheel.
2. Remove the **battery cover** from the top of the battery compartment.
3. Insert **two AA (LR06) batteries** in their correct polarities.
4. Place the **battery cover** over the battery compartment and fasten with the screw you removed in step one.

Using Your Ride-On



1. Horn buttons: Press for Horn sounds.

Maintaining

- Make sure the plastic parts of the ride on are not cracked or broken.
- Park the ride on indoors or cover it with a tarp to protect it from weather.
- Keep the ride on away from sources of heat, such as stoves and heaters. Plastic parts may melt.
- Clean the ride on with a soft dry cloth.

Mercedes-Benz G63 AMG

Foot to Floor Ride-On

Dist. by TDC USA, Inc. Fairfield, NJ 07004
©2018 All Rights Reserved. Made in China.
Item 60774

Questions and Comments
1-800-599-8898 (9 am - 5 pm EST)
www.tdcusainc.com