

Mercedes-Benz **G63 AMG**

Children Electric RIDE ON



Owner's Manual with Assembly Instructions

Made in China.

The owner's manual contains important safety information as well as assembly, use and maintenance instructions. The Ride-on Car must be assembled by an adult who has read and understands the instructions in this manual. Keep the packaging and bags away from children and dispose of all packaging properly before use. Keep this manual for future reference.

For Reference Only



**PLEASE DO NOT
RETURN THIS
PRODUCT
TO THE STORE**

We will be happy to correct any problems that you may have, or answer any of your questions regarding the purchase of this product. Please contact us at our Toll Free customer service number 1-800-599-8898 for any assistance and replacement parts. Thank You.

Dist. by TDC USA, Inc. Fairfield, NJ 07004

©2018 All Rights Reserved.

Made in China.

Item 60683

www.tdcusainc.com

For Reference Only

This ride-on car will provide your child with many miles of riding of enjoyment. To help assure you and your rider a safe ride we ask you to please read this manual carefully, and keep it for future reference.

Follow the recommendations in this manual, they are designed to improve the safety and operation of your ride-on car and it's rider.



1 YEAR LIMITED WARRANTY SIX MONTH LIMITED WARRANTY ON BATTERY

6-months warranty applies only to the 12-volt battery which is included by TDC USA Inc. with the vehicle when it was originally purchased. This warranty covers normal use and does not cover the vehicle or battery if damaged by unreasonable use, neglect, abuse, accident, misuse, improper service or other causes not arising out defects in material or workmanship. Evidence of any attempt at consumer repair will void this warranty.

Conditions of warranty:

The user assumes all risk of personal injuries, damage to, or failure of the Vehicle and any other losses if the Vehicle is altered in any way or if the Vehicle is used for stunt riding, ramp jumping, aerobatics or similar activities, or is towed by another person or vehicle.

This warranty does not cover ordinary wear and tear, damage caused by improper storage of Vehicle, shipping damage, damage caused either accidentally or deliberately by you or another, and damage caused as a result of using the Vehicle other than for its intended purpose.

“Mercedes-Benz”,  ,  and the design of the enclosed product are subject to intellectual property protection owned by Daimler AG. They are used by Zhejiang Jiajia Ride-On Co., Ltd. under license.

Age:	3+ years
Weight Capacity:	Max 60 lbs
Speed:	1.5 - 3 mph
Overall Dimensions:	49.8" x 28.7" x 25.3"
Charge Time:	8-12 hours
Initial Charge Time:	10-12 hours
Battery:	2pcs x 6V7ah
Charger:	Input 120V / Output: 12V 1000mA



WARNING!

- **CHOKING HAZARD** - Small parts. Not suitable for children under 36 months. The product contains small parts, keep children away when assembling.
- **ADULT ASSEMBLY REQUIRED.**
- Always remove protective material and poly bags and dispose before assembly.

• Assembly tools required:



Screwdriver
(Not Included)



Long nose pliers
(Not Included)



Spanner
(Included)



4X AA Batteries *
(2 AA - Steering Wheel)
(2 AA - Remote Control)



Approximate
Assembly Time:
1 Hour

* Batteries not included

SAFETY

The following safety hazards may result in serious injury or death:

- This product contains small parts. Keep children away during assembly. Make sure to remove all packaging material and parts from underneath the vehicle body.
- Never open the battery. Batteries contain lead and lead compounds (acids) that are toxic and corrosive, and known to the state of California to cause cancer and reproductive harm.
- Limbs, hair, and clothing can get caught in moving parts. Always wear shoes, keep limbs away from moving parts, and do not wear loose clothing while operating this vehicle.
- This Vehicle does not have brakes or braking capability. Do not leave a child unattended during operation. Do not use this in a location that may require braking capability, as this could result in loss of control, which may cause serious injury or death.
- Use of this vehicle in unsafe conditions such as snow, rain, loose dirt, mud, sand, or gravel may result in an unexpected accident such as tipping over, and could damage the electrical system or battery.
- Do not operate this vehicle in an unsafe manner. Examples include but are not limited to:
 - Pulling the vehicle with another vehicle or similar device
 - Allowing more than one rider
 - Pushing the user
 - Traveling at an unsafe speed

BATTERY WARNINGS

The following safety hazards may result in serious injury or death:

- Use of a battery charger other than the supplied 12V rechargeable battery and charger may cause a fire or explosion. Only use the supplied battery and charger.
- Use of the 12V rechargeable battery and charger for any other product may result in overheating, fire, or explosion. Never use the supplied rechargeable battery and charger with another product.
- Explosive gases are created during charging. Charge the battery in a well-ventilated area. Do not charge the battery near heat or flammable materials.
- Contact between the positive and negative terminals may result in fire or explosion. Avoid direct contact between the terminals. Picking up the battery by the wires or charger can cause damage to the battery and may result in a fire. Always pick up the battery by its case or handles.
- Liquids on the battery may cause fire or electric shock. Always keep all liquids away from the battery and keep the battery dry. Contact or exposure to battery leakage (lead acid) may cause serious injury. If contact or exposure occurs immediately call your physician. If the chemical is on the skin or in the eyes, flush with cool water for 15 minutes. If the chemical was swallowed, immediately give the person water or milk. Do not give water or milk if the patient is vomiting or has a decreased level of alertness. Do not induce vomiting.
- Battery posts, terminals, and related accessories contain lead and lead compounds (acid) - chemicals known to the state of California to cause cancer, reproductive harm, and are toxic and corrosive. Never open the battery.
- Tampering or modifying the electric circuit system may cause a shock, fire or explosion and permanently damage the system. Exposed wiring and circuitry in the charger may cause electric shock. Always keep the charger housing closed.

USER WARNINGS

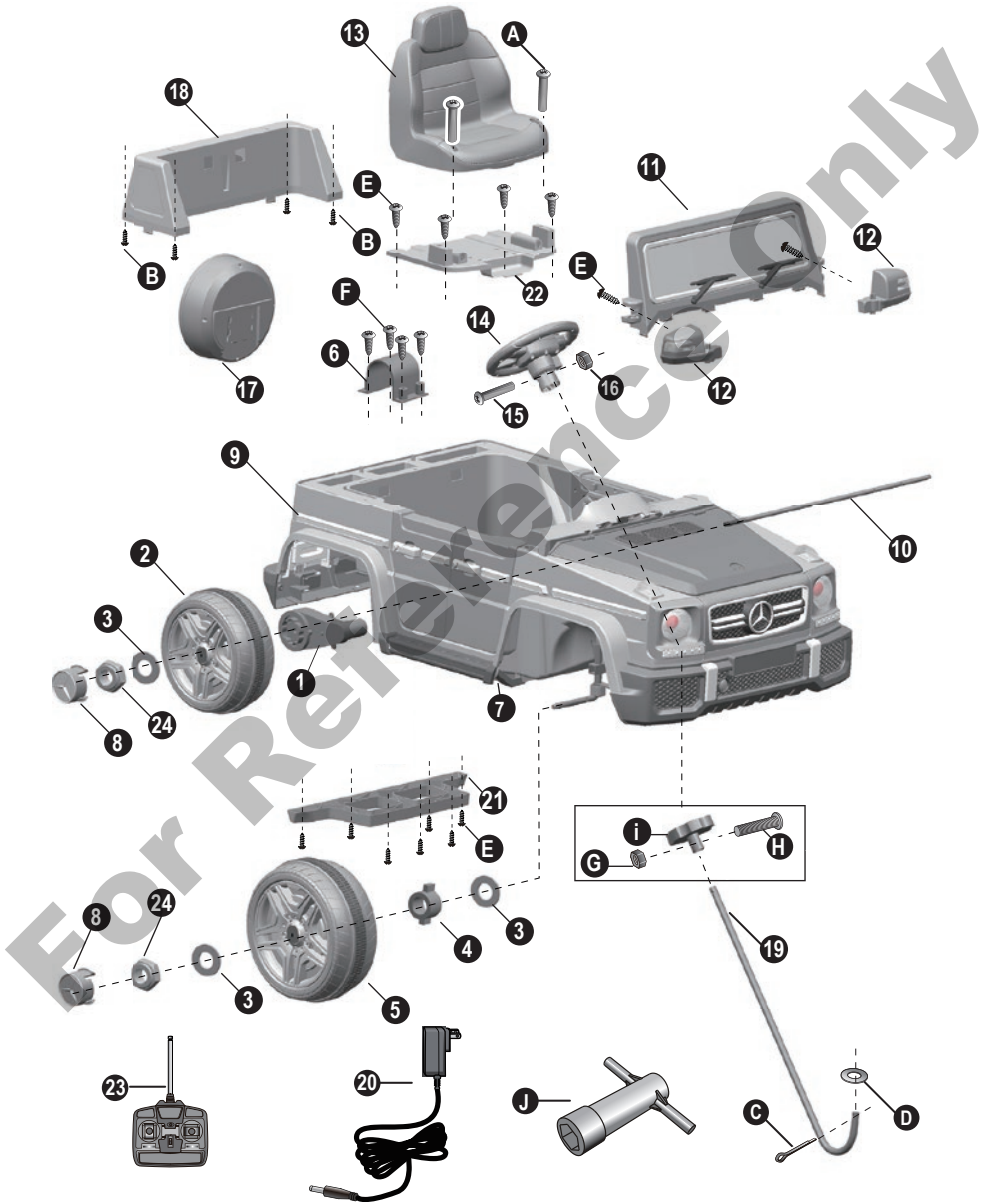
The following safety hazards may result in serious injury or death:

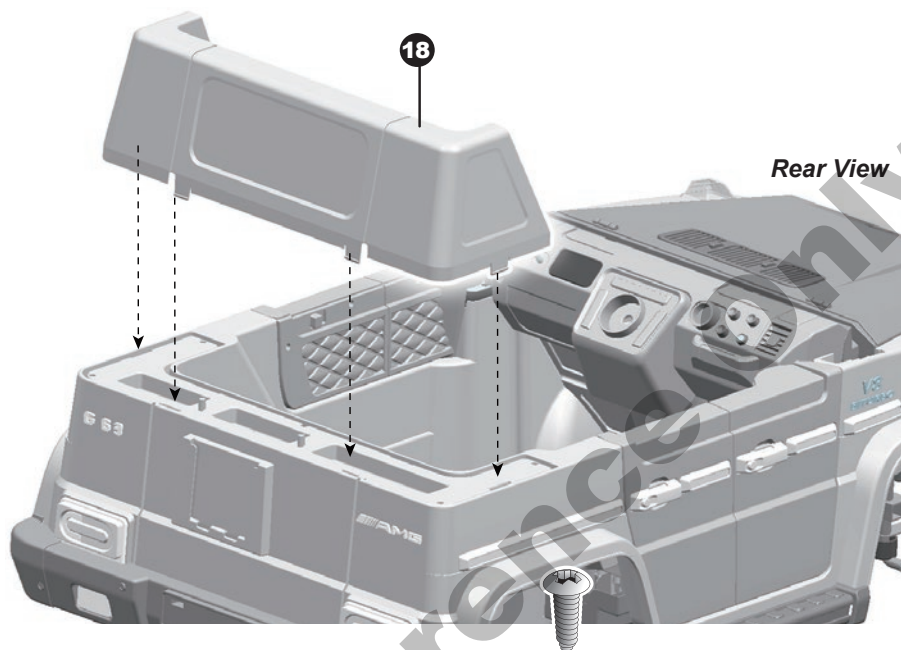
- Never leave a child unattended.
- Always sit in the seat when using this vehicle.
- Keep your hands, hair, and cloths away from moving parts.
- Always wear shoes when operating this vehicle.
- Only one rider is allowed on the vehicle at a time.
- Children under 3 years of age cannot use the vehicle.
- Only drive on level ground.
- Do not go near swimming pools or other bodies of water, drop-offs or up and down steep inclines.
- Do not drive the vehicle into loose dirt, mud, sand, fine gravel, or on wet surfaces.
- Do not drive the vehicle on streets or near cars.

Parts List | 8

PART NO.	PART NAME	QUANTITY (PCS)
1	Gear box	2
2	Driving wheel	2
3	Ø12 Washer	6
4	Bushing	2
5	Front wheel	2
6	Motor hood	2
7	Side support	2
8	Hubcap	4
9	Vehicle body	1
10	Rear axle	1
11	Windshield	1
12	Mirror	2
13	Seat	1
14	Steering wheel	1
15	M5x35 machine screw	1
16	Ø5 nut	1
17	Spare wheel	1
18	Rear window	1
19	Steering column	1
20	Charger	1
21	Rear support	1
22	Seat board	1
23	Remote controller	1
24	Lock Nut	4
A	M5x16 machine screw	2
B	Ø4x16 flat head screw	4
C	Split pin	2
D	Ø10 washer	2
E	Ø4x12 round head screw	25
F	Ø4x12 flat head screw	8
G	Ø5 nut	1
H	M5x22 machine screw	1
i	R/C driver	1
J	Spanner	1

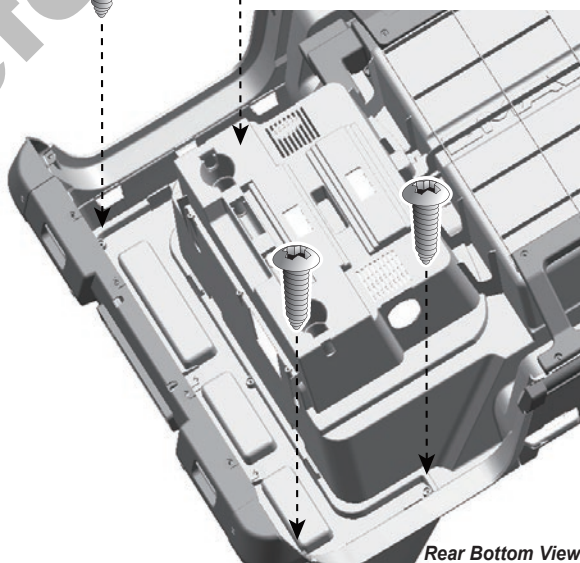
Note: Some parts shown are assembled on both sides of vehicle



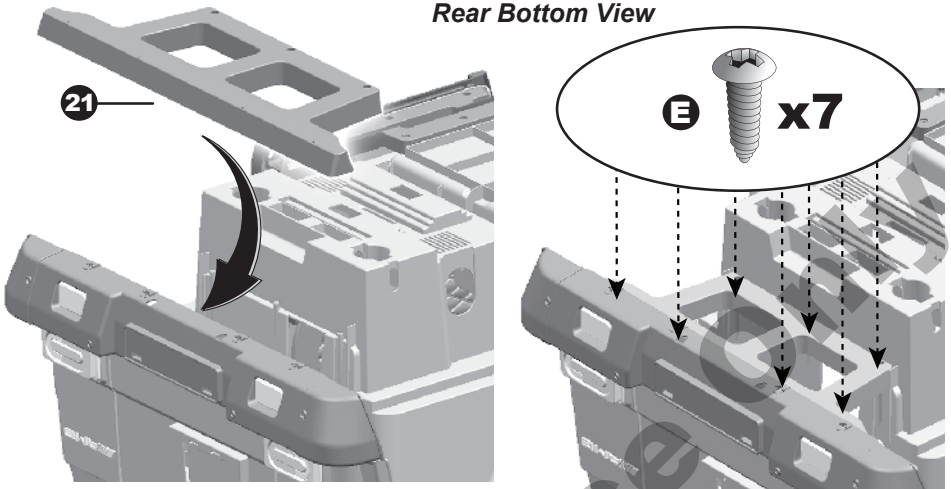


1. Fit the **rear window (18)** into the slots on to the back of the vehicle body.

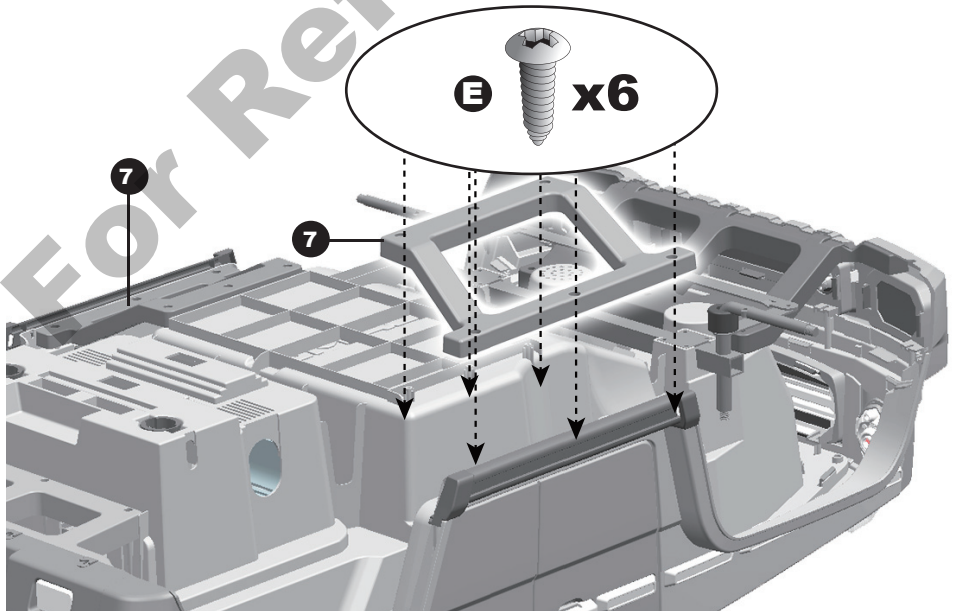
2. Turn the vehicle body over and tighten four **Ø4x16 flat head screws (B)** to secure it.



Rear Bottom View



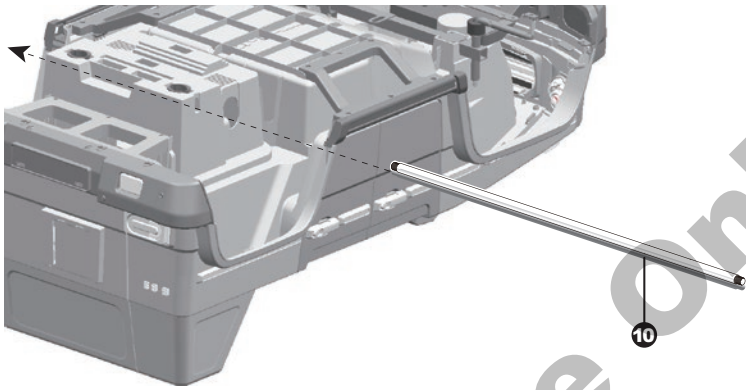
1. Fit the **rear support (21)** onto the vehicle. And keep the longer end of the rear support fit into the groove inside the rear bumper.
2. Tighten seven **Ø4x12 round head screws (E)** to secure it with a screwdriver.
3. Fit the **side support (7)** onto the one side of the vehicle.
4. Tighten six **Ø4x12 round head screws (E)** to secure it with a screwdriver.
5. Repeat for the other side.



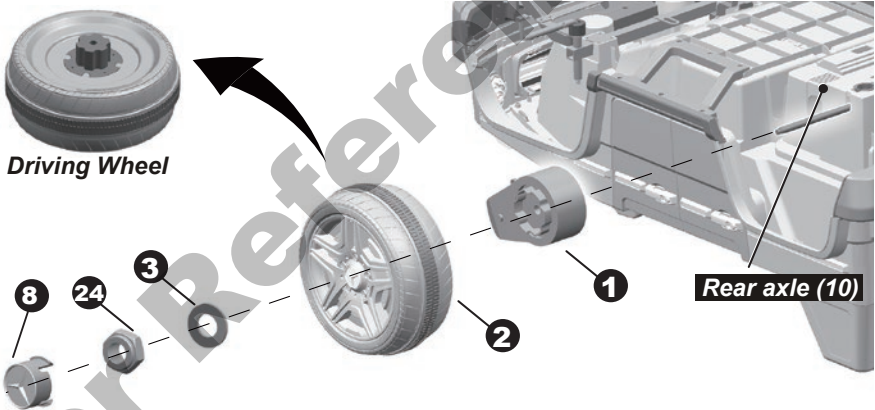
Attach the Rear Axle | 12

Remove all the parts from the **rear axle (10)**

1. Insert the **rear axle (10)** into the hole near the rear vehicle.



Attach the Rear Wheels



1. Slide the **gear box (1)** onto the **rear axle (10)**. "R" labeled gear box should be fit to the "R" side of the vehicle body; "L" labeled gear box should be fit to the "L" side of vehicle body. Push the **gear box (1)** and **connector** on the gear box through the large hole on the rear vehicle and out where the battery sits.

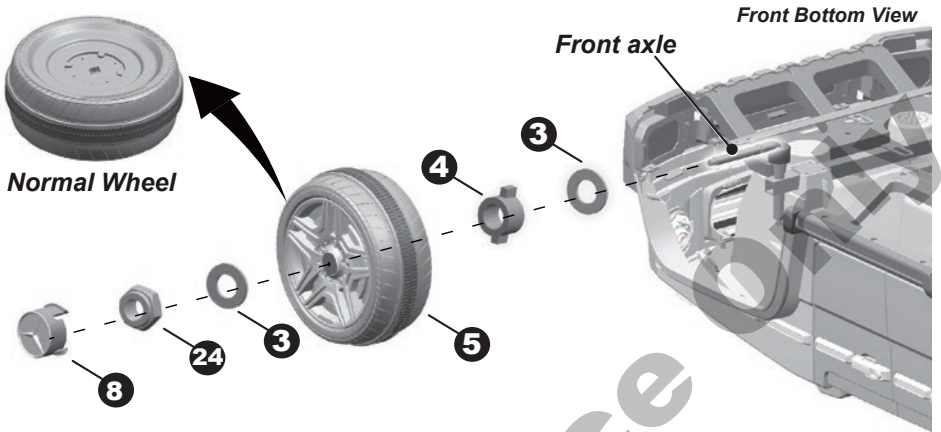
2. Slide the **driving wheel (2)** onto the rear axle. And keep the **driving wheel (2)** match with the **gear box (1)**.

3. Slide the **Ø12 washer (3)** onto the **rear axle (10)**.

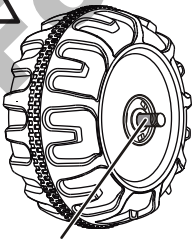
4. Tighten a **lock nut (24)** to the end of the **rear axle (10)** with a spanner.

- Repeat the above procedure to assemble the other driving wheel. -

5. Fit the **hubcaps (8)** to the wheel cover.

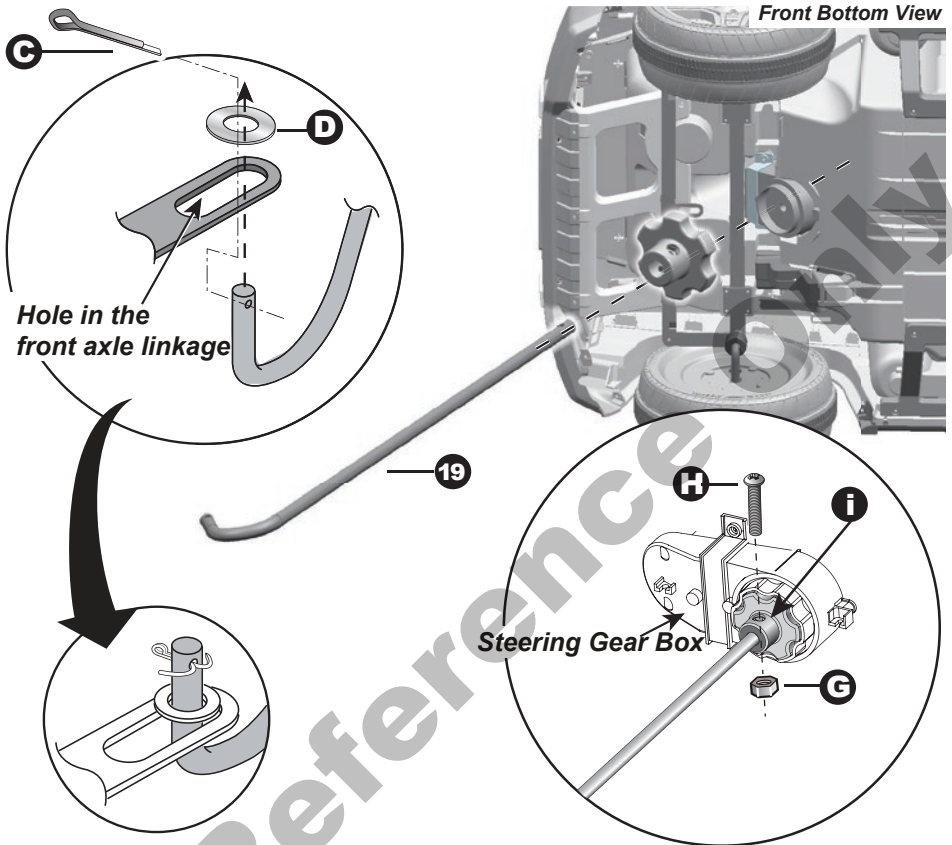


1. Slide a $\varnothing 12$ washer (3) onto the front axle.
 2. Slide the bushing (4) (ring end first) onto the front axle.
 3. Slide the front wheel (5) onto the front axle. And keep the front wheel (5) match with the bushing.
 4. Slide a $\varnothing 12$ washer (3) onto the front axle.
 5. Tighten a lock nut (24) to the end of the front axle with a spanner.
 6. “Snap” the hubcap (8) to the wheel cover.
- Repeat the above procedure to assemble the other front wheel. -



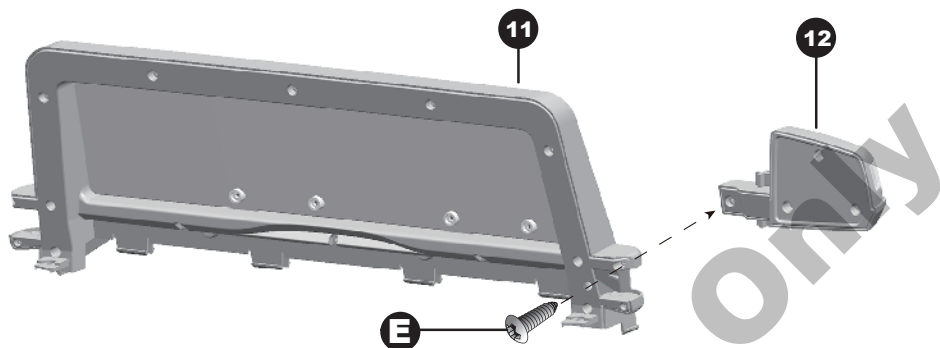
GAP

After assembling any wheel to the axles, please check the gap between the screw thread and the collapsible (refer to below picture), if the gap is too big, please add two or three washers inside the wheel, but after tightening the nut outside the wheel, please turn the wheel by your finger to check if the wheel can run smoothly, this is very important, because if the wheel can run smoothly, it is ok, but if the nut press the wheel and the wheel can't run smoothly, the motor will be broken easily! Then you need to decrease one or two washers to make sure the wheel can run smoothly!



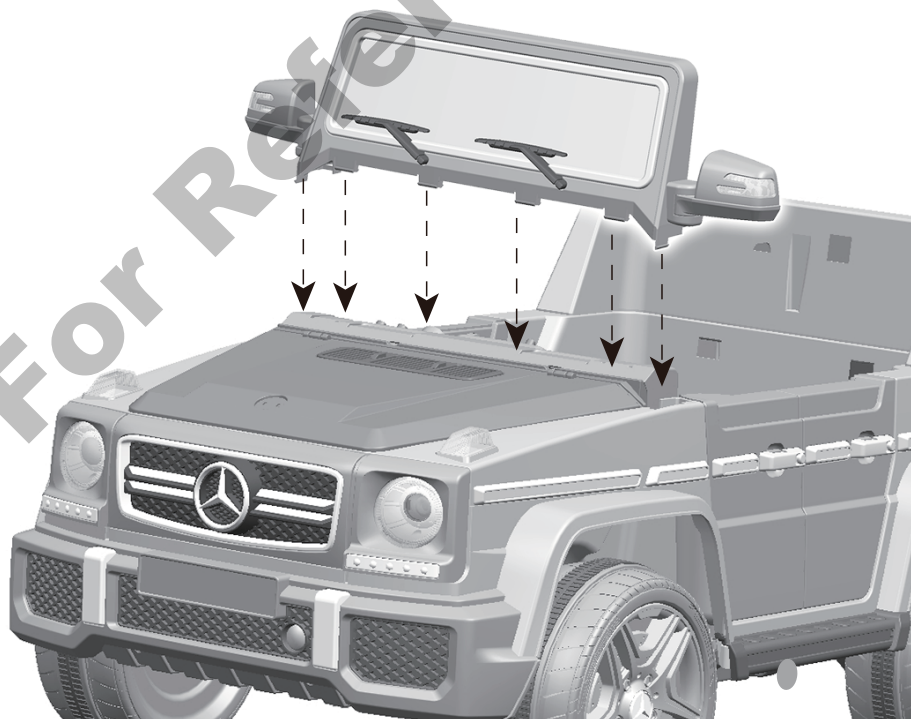
Turn the vehicle body on its side. Remove the **M5x22 machine screw (H)** and **Ø5 nut (G)** from the **R/C driver (i)** with a screwdriver

1. Attach the **R/C driver (i)** to the **steering gear box**, and make it match with the **steering gear box**.
2. Insert the **straight end** of the **steering column (19)** up through the hole in the **steering gear box** from the bottom side, and out through the hole in the dash through the top.
3. Line up the holes in the **R/C driver (i)** and find the hole in the **steering column (19)**, tighten a **M5x22 machine screw (H)** and **Ø5 nut (G)** back in the same location with a screwdriver.
4. Insert the **bent end** of **steering column (19)** through the hole in the **front axle linkage**.
5. fit a **Ø10 washer (D)** to the **bent end** of the **steering column (19)**.
6. Insert a **split pin (C)** into the hole in the **steering column**, bend the ends of the **split pin (C)** back using **long nose pliers (not included)**.



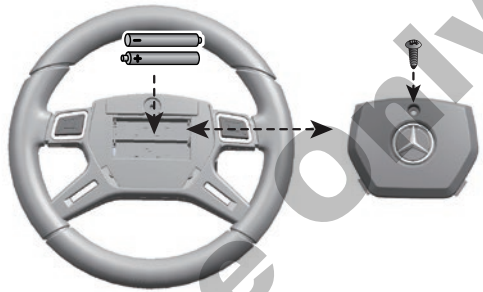
Turn the vehicle body upright.

1. Insert the tabs on the **mirror (12)** into the slot on the **windshield (11)**.
2. Insert the **Ø4x12 round head screw (E)** through the windshield and into the mirror, and tighten it with a screwdriver. Repeat for the other mirror.
3. Insert the tabs on the **windshield (11)** in the slots on the vehicle body, push until you hear it “snap” into place. (See below)



Add the Batteries of Steering Wheel (Not Included)

1. With a screwdriver remove the **screw** on the **battery cover** located in the center of the steering wheel.
2. Remove the **battery cover** from the top of the **battery compartment**.
3. Insert two **AA batteries** in their correct polarities.
4. Place the **battery cover** over the **battery compartment** and fasten with the **screw** you removed in step one.



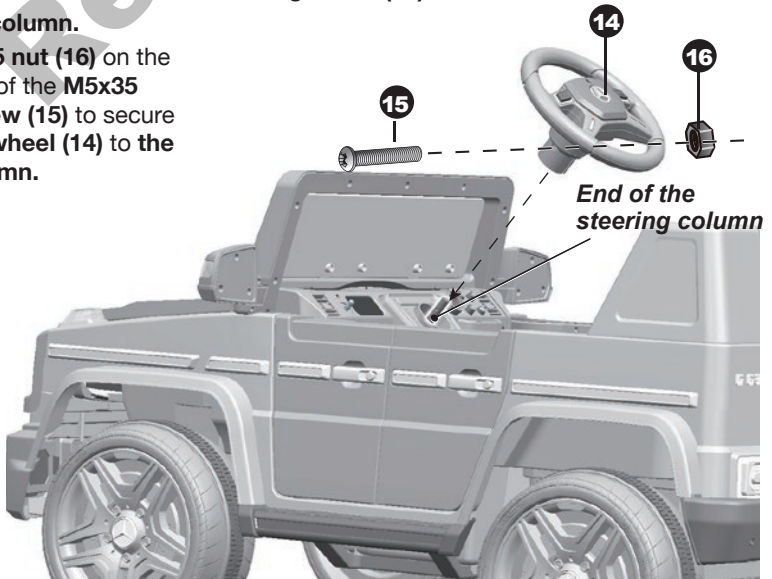
Attach the Steering Wheel

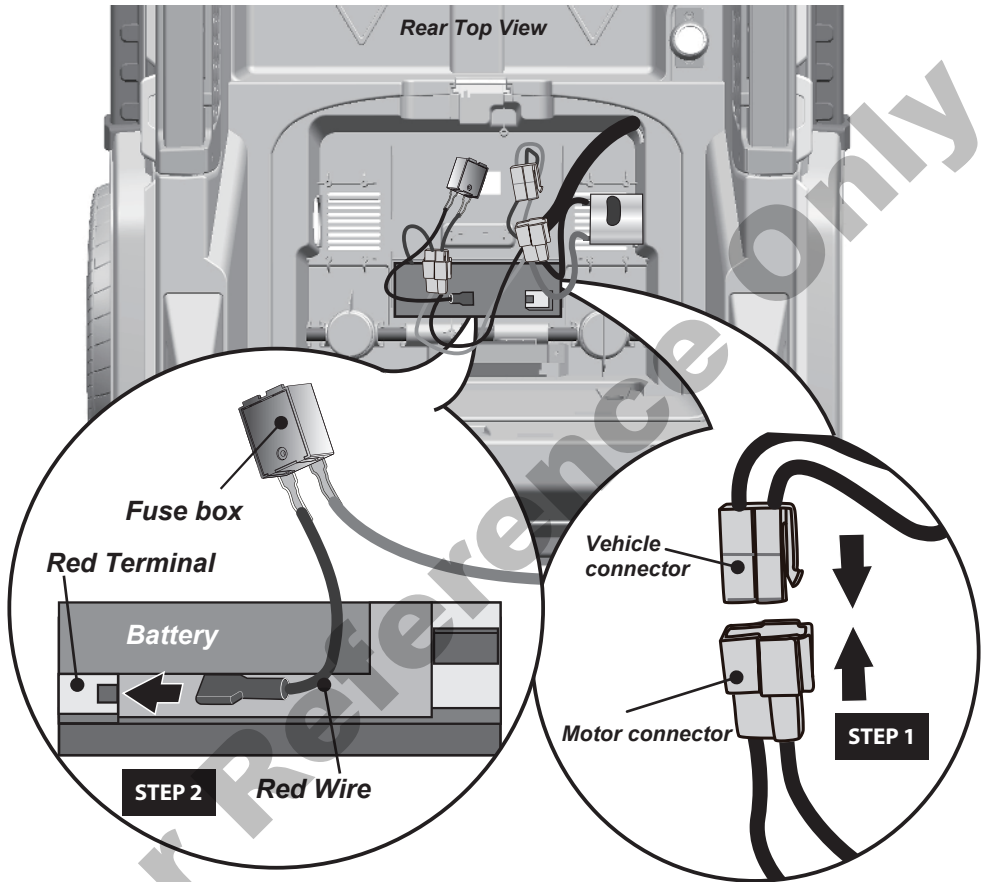
Remove the **M5x35 machine screw (15)** and **Ø5 nut (16)** from the **steering wheel (14)**.

5. Place the **steering wheel (14)** over the **steering column (19)**, protruding from the middle of the **steering wheel base**.

6. Align the holes on each side of **steering wheel (14)** with the holes at the end of the **steering column**.

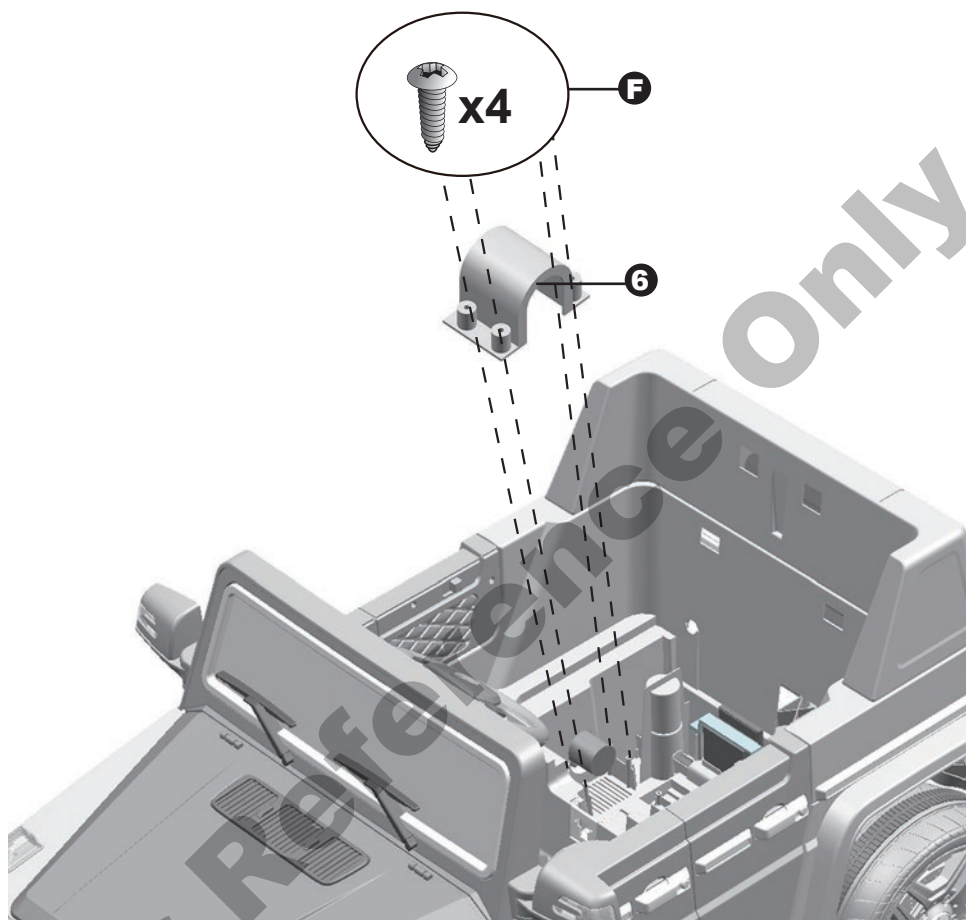
7. Fasten a **Ø5 nut (16)** on the opposite end of the **M5x35 machine screw (15)** to secure the **steering wheel (14)** to the **steering column**.





1. Plug the **Vehicle Connector** into the **Motor Connector** on body as shown above. Repeat for the other side.

2. Plug the **Red wire** into the **red terminal** on battery.



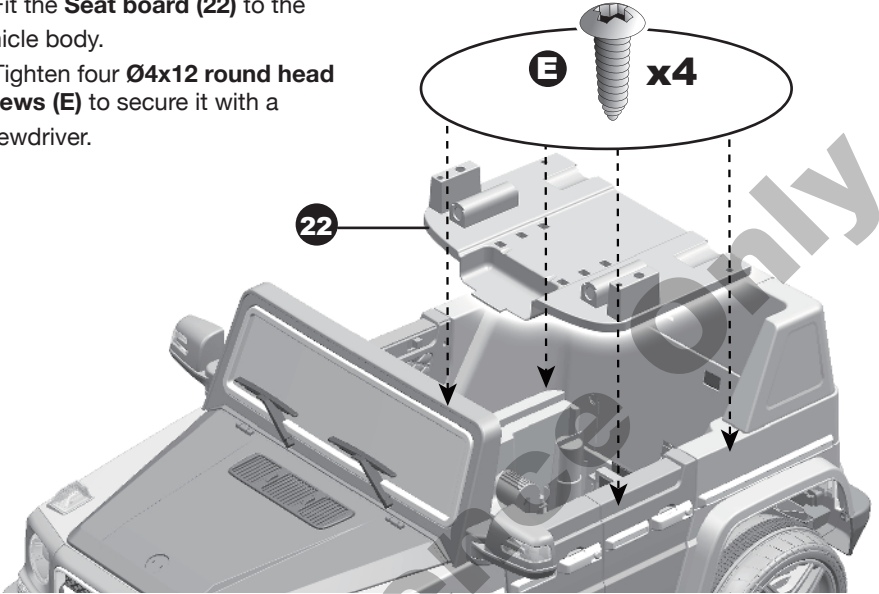
1. Fit the **motor hood (6)** on the motor.

2. Tighten four **Ø4x12 flat head screws (F)** to secure it.

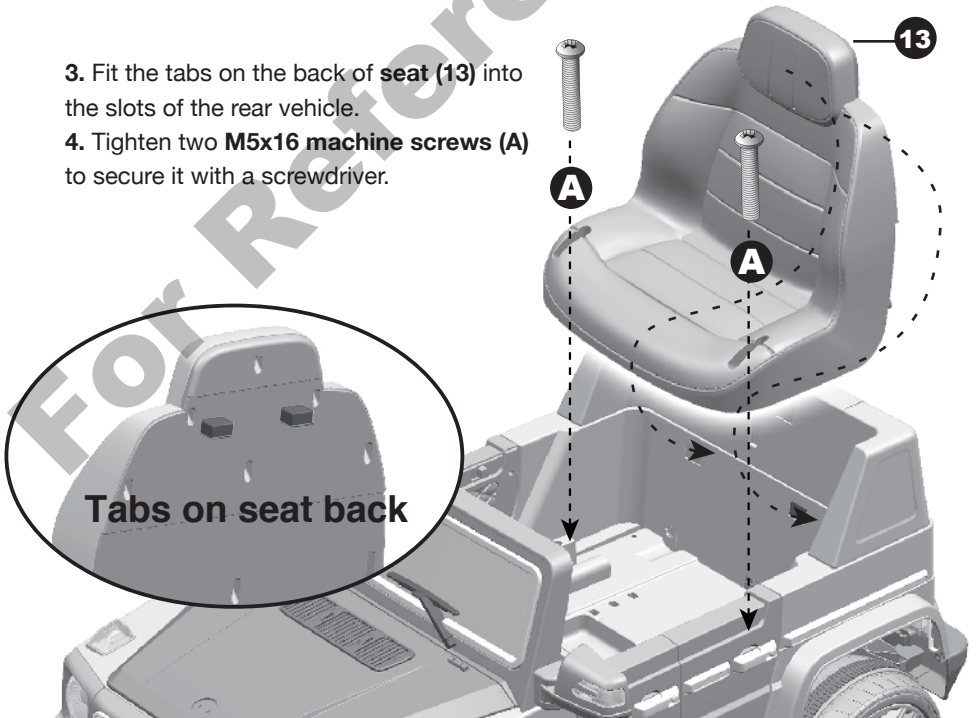
- Repeat the above steps for the other **motor hood (6)**. -

Attach the Seat | 19

1. Fit the **Seat board (22)** to the vehicle body.
2. Tighten four **Ø4x12 round head screws (E)** to secure it with a screwdriver.

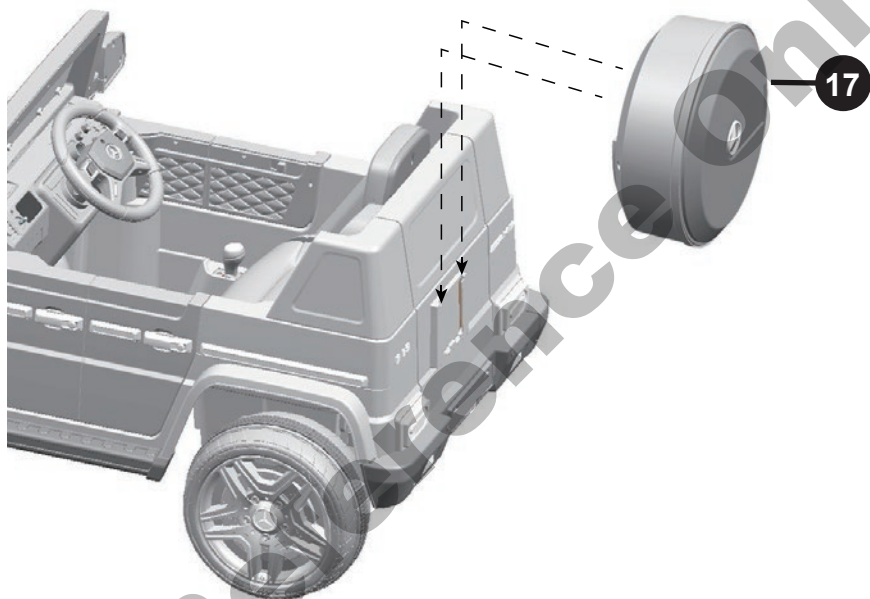


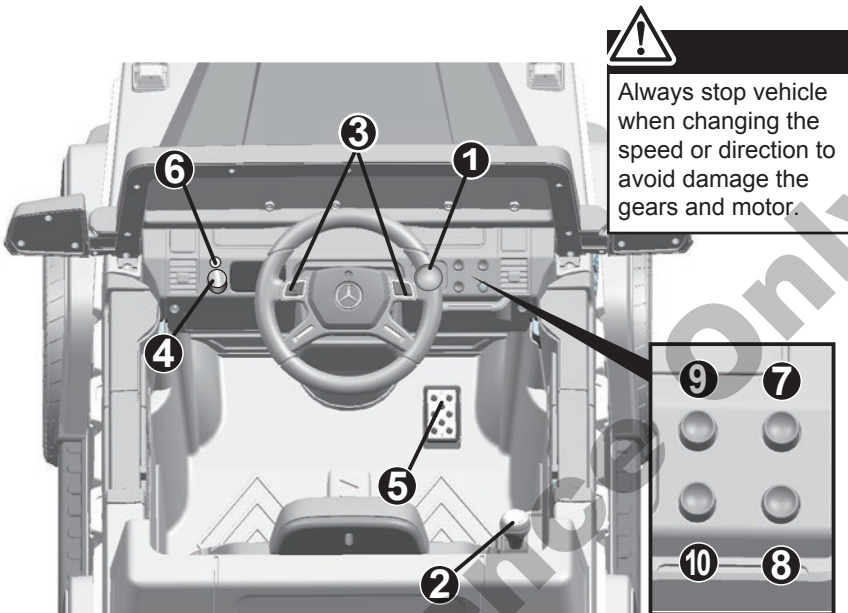
3. Fit the tabs on the back of seat (13) into the slots of the rear vehicle.
4. Tighten two **M5x16 machine screws (A)** to secure it with a screwdriver.



Attach the Spare Wheel | 20

Fit the tabs on the back of the **spare wheel (17)** into the opening on the rear of the vehicle.





1. **Power Switch:** Turns the vehicle on and off.
2. **Forward/reverse switch:** Changes the direction that the vehicle moves from forward to reverse.
 - To move the car forward, rock the switch to “top” position.
 - To move the car backward, rock the switch to the “bottom” position.
3. **Sounds buttons:** Press for horn and sounds.
4. **Volume knob:** turn the knob clockwise to increase the volume; Turn the knob counterclockwise to decrease the volume.
5. **Foot pedal:** Applies power (speed) to the vehicle.
 - To move the car, press the pedal down.
 - To brake or slow down, release pressure from the pedal.
6. **Auxiliary input:** Allow the audio from your portable music player or phone to be played through the vehicle speakers.
7. **High speed button:** Operate the vehicle to move forward in high speed.
8. **Low speed button:** Operate the vehicle to move forward and reverse in low speed.
 HINT: The vehicle is designed to operate in low speed only in reverse.
9. **Foot-operating button:** Only vehicle driver can operate the vehicle.
10. **R/C-operating button:** Only use the Remote Controller to operate the vehicle.

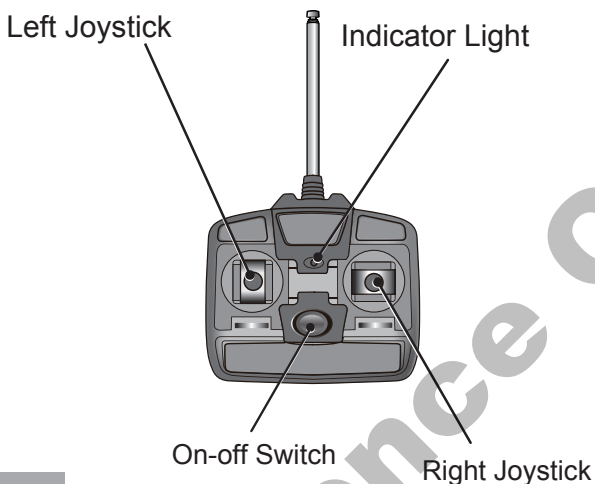


ADVANCED USE - High speed Drive

Make sure your child knows how to steer, how to start and stop the vehicle and knows the rules for safe driving. The vehicle can be driven at a maximum of 1.5 - 3 mph.

**WARNING!****ADULT OPERATING ONLY!**

Your vehicle is equipped with a 27 MHz remote controller.



Assembly

1. Insert the antenna into the controller by turning the antenna clockwise
2. Lift the battery compartment door on the back of the controller and insert two AA(LR6) batteries. Then replace the battery compartment door.

NOTE: Batteries not included.

Radio Frequency Information

Caution: Changes or modifications not expressly approved by the party responsible for compliance could void the user's authority to operate the equipment.

NOTE: This equipment has been tested and found to comply with the limits for the Class B digital device, pursuant to Part 15 of the FCC Rules. These limits are designed to provide reasonable protection against harmful interference in a residential installation. This equipment generates uses and can radiate radio frequency energy and, if not installed and used in accordance with the instructions, may cause harmful interference to radio or television reception, which can be determined by turning the equipment off and on, the user is encouraged to try to correct the interference by one or more of the following measures:

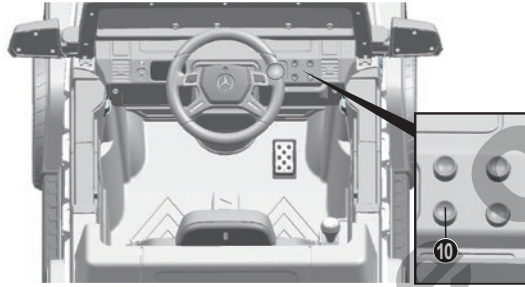
- Reorient or relocate the receiving antenna.
- Increase the separation between the equipment and receiver.
- Connect the equipment into an outlet on a circuit different from that to which the receiver is connected.
- Consult the dealer or an experienced radio/TV technician for help.



WARNING!

ADULT OPERATING ONLY!

1. Make sure the vehicle is set on remote control operation. For remote control operation **press the button (10 on the diagram below)** on the dashboard of the vehicle.

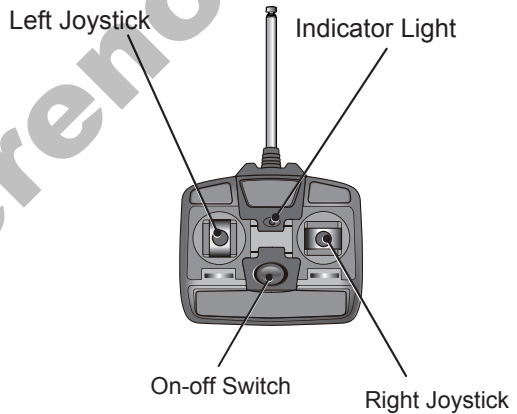


2. Press the “ON” button on the remote control to make connection with the vehicle. The Indicator light should turn **red**.

3. Always use caution when operating. Make sure child is fastened in the vehicle with the seat belt when in remote control operation.

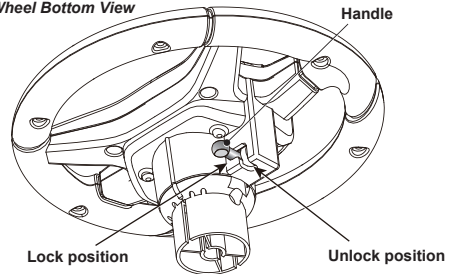
4. Move the **Left Joystick** up and down slowly to control the vehicle’s speed. Releasing the joystick too quickly may cause sudden jerks to the vehicle.

5. Move the **Right Joystick** left and right to turn the vehicle.

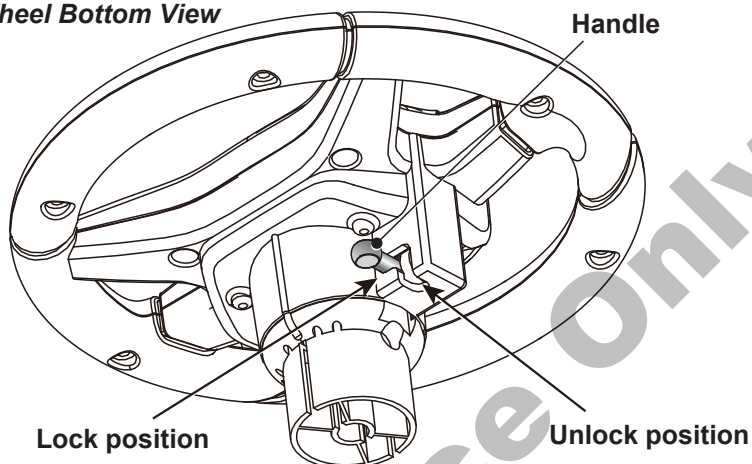


(NOTE: Make sure steering wheel is set to **unlocked** when in remote control operation - *when the steering wheel is set to **unlocked** it will no longer control the front wheels, turning will only be possible with the remote control.*)

Steering Wheel Bottom View



Steering Wheel Bottom View



When the handle is in the *lock position*, the steering wheel can control the direction of the vehicle.

When the lock is in the *unlock position*, the steering wheel can rotate freely, but **CAN NOT** control the direction of the vehicle.



NOTE: When use the Foot-Operating function, the lock must snap into the Lock position.

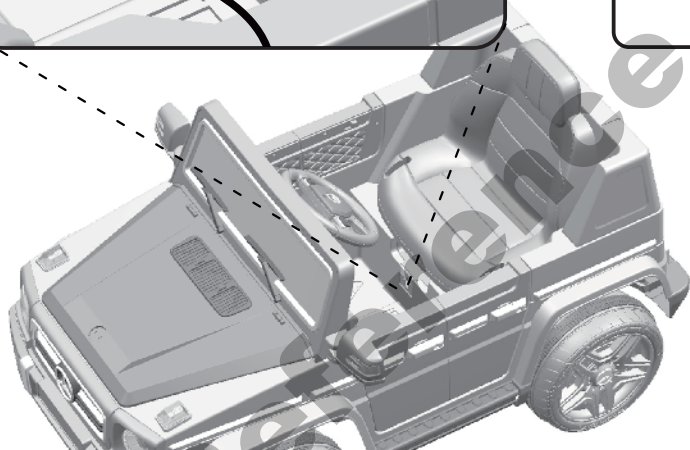
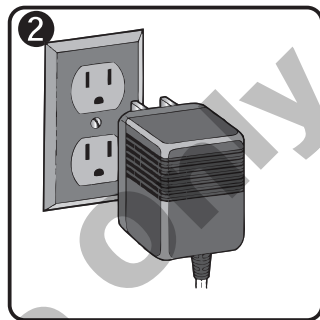
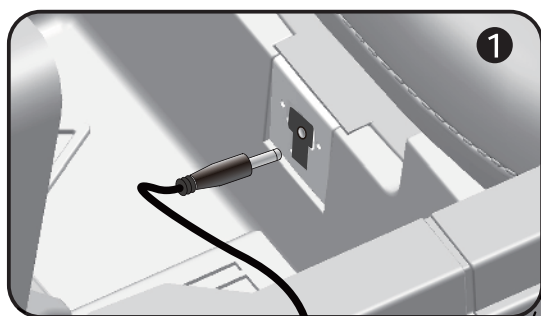


NOTE: Please close the door and push it back to lock the door when riding for safety consideration.

Only An Adult Can Charge And Recharge The Battery!**WARNING!****· PREVENT FIRE AND ELECTRIC SHOCK:**

- Use the only rechargeable battery and charger supplied with your vehicle. NEVER substitute the battery or the charger with another brand. Using another battery or charger may cause a fire or explosion.
- Do not use the battery or charger for any other product. Overheating, fire or explosion could occur.
- NEVER modify the electric system. Tampering with the electric system may cause a shock, fire or explosion or may permanently damage system.
- Do not allow direct contact between battery terminals. Fire or explosion can occur.
- Do not allow any type of liquid on the battery or its components.
- Explosive gases are created during charging. Do not charge near heat or flammable materials. Charge the battery in a well-ventilated area ONLY.
- NEVER pick up the battery by the wires or charger. Damage can occur to the battery and may cause a fire. Pick up the battery by the case ONLY.
- Charge the battery in a dry area ONLY.
- Battery posts, terminals and related accessories contain lead and lead compounds, chemicals known to the State of California to cause cancer and reproductive harm. **Wash hands after handling.**
- Do not open the battery. Battery contains lead acid and other materials that are toxic and corrosive.
- Do not open the charger. Exposed wiring and circuitry inside case may cause electric shock.
- Only adults may handle or charge the battery. NEVER allow child to handle or charge the battery. Battery is heavy and contains lead acid. (electrolyte).
- Do not drop the battery. Permanent damage to the battery could occur or cause serious injury.
- Before charging the battery, check for wear or damage to the battery, charger, its supply cord and the connectors. DO NOT charge the battery if any damage to parts has occurred.
- Do not allow the battery to drain completely. Recharge the battery after each use or once a month if not used regularly.
- Do not charge the battery upside down.
- Always secure the battery with the bracket. Battery can fall out and injure a child if vehicle tips over.

- **The POWER SWITCH must be turned in OFF position when charging.**
- **Before the first use, you should charge the battery for 10-12 hours. Do not recharge the battery for more than 12 hours to avoid overheating the charger.**
- **When the vehicle begins to run slowly, recharge the battery.**
- **After each use or once a month minimum recharge time as 8 to 12 hours, less than 20 hours at most.**



1. Plug the charger port into the input socket. (The socket is below the seat)
2. Plug the charger plug into a wall outlet. The battery will begin charging



WARNING!

This product with **Charging Safety Protection**: when charging, all functions will be cut off! Only an adult can charge and recharge the battery!

The battery features a thermal fuse with a reset fuse that will automatically trip and cut all power to the vehicle if the motor, electric system or battery is overloaded. The fuse will reset and power will be restored after the unit is turned OFF for 20 seconds and then turned ON again. If the thermal fuse trips repeatedly during normal use, the vehicle may need repair. **Contact your distributor please.**

To avoid losing power, follow these guidelines:

- Do not overload the vehicle.
- Do not tow anything behind the vehicle.
- Do not drive up steep slopes.
- Do not drive into fixed objects, which may cause the wheels to spin, causing the motor to overheat.
- Do not drive in very hot weather, components may overheat.
- Do not allow water or other liquids to come in contact with the battery or other electric components.
- Do not tamper with the electric system. Doing so may create a short, causing the fuse to trip.

Battery Disposal



Recycle the dead battery responsibly. The battery contains lead acid (electrolyte) and must be disposed of properly and legally. It is illegal in most areas to incinerate lead acid batteries or dispose of them in landfills. Take it to a federal or state-approved lead acid battery recycler, such as local automotive battery retailer. Do not throw the battery away with your regular household waste!

Problem	Possible Cause	Possible Cause
Vehicle Does not run	Battery low on power	Recharge battery. After each use, or once a month minimum, charge the battery for a 'full' 8 to 12 hours. DO NOT leave the battery on the charger for more than 20 hours.
	Thermal fuse has tripped	Replace thermal fuse with new fuse. (See thermal fuse)
	Battery connector or wires are loose	Check that the battery connector is firmly plugged into the motor connector.
	Battery is dead	Replace battery. Please call us at 1-800-599-8898 for battery replacement.
	Electrical system is damaged	Check to see if water may have corroded the system. Loose dirt, gravel or sand might have jammed the switch.
	Motor is damaged	Please call us at 1-800-599-8898.
Vehicle Does not run very long	Battery is under charged	You may not be charging the battery long enough. After each use, or once a month minimum, charge the battery for a 'full' 8 to 12 hours. DO NOT leave the battery on the charger for more than 20 hours.
Loud grinding or clicking noises coming from motor or gear box	Motor or gears are damaged	Please call us at 1-800-599-8898.
Vehicle runs sluggishly or beeping occurs	Vehicle is overloaded	Reduce weight on vehicle. Do not overload the vehicle. Only one rider at a time. Maximum user weight is 60lbs.
	Vehicle is being used in harsh conditions	Operate the vehicle on level ground and firm surfaces.
Vehicle needs a push to go forward	Poor contact of wires or connectors	Check that the battery connector is firmly plugged into the motor connector. If wires are loose around the motor please call us at 1-800-599-8898.
	"Dead Spot" on motor	A dead spot means the electric power is not being delivered to the terminal connection and the vehicle needs repair. Call us at 1-800-599-8898.
6V Battery will not recharge	Battery connector or adapter connector is loose	Check that battery connectors are firmly plugged into each other
	Charger not plugged in	Check that battery charger is plugged into a working wall outlet
Battery bubbles or gurgles when charging	This is normal and not a cause for concern	
Charger feels warm when recharging	This is normal and not a cause for concern	

Completely read through this manual and the troubleshooting guide table before calling. If you still need help resolving the problem you can **call us at 1-800-599-8898**

- It is parents' responsibility to check main parts of the toy before using. Regular examination of transformer or battery charger for any damage to their cord, plug, enclosure and other parts, and that, in the event of such damage, toy must not be used with the transformer or battery charger until such damage has been repaired.
- Make sure the plastic parts of the vehicle are not cracked or broken.
- Occasionally use a lightweight oil to lubricate moving parts such as wheels.
- Park the vehicle indoors or cover it with a tarp to protect it from wet weather.
- Keep the vehicle away from sources of heat, such as stoves and heaters. Plastic may melt.
- Recharge the battery after each use. Only an adult can handle the battery. Recharge the battery at least once a month when the vehicle is not being used.
- Do not wash the vehicle with a hose. Do not wash the vehicle with soap and water. Do not drive the vehicle in rainy or snowy weather. Water will damage the motor, electric system and battery.
- Clean the vehicle with a soft, dry cloth. To restore shine to plastic parts, use a non-wax furniture polish. Do not use car wax. Do not use abrasive cleaners.
- Do not drive the vehicle in loose dirt, sand or fine gravel which could damage the moving parts, motors or the electric system.
- When not using, all the electrical source should be turned off. Turn off the power switch and disconnect the battery connection.

For Reference Only

For Reference Only

Mercedes-Benz **G63 AMG** Children Electric RIDE ON

Dist. by TDC USA, Inc. Fairfield, NJ 07004
©2018 All Rights Reserved. Made in China.
Item 60683

Questions and Comments
1-800-599-8898 (9 am - 5 pm EST)
www.tdcusainc.com

This products meets ASTM F963 and CPSIA requirements for electric vehicles.