

Kid's Picnic Table with Umbrella

Dist. by TDC USA, Inc. Fairfield, NJ 07004
©2021 All Rights Reserved. Made in China.
Item #22523

Questions and Comments
1-800-599-8898 (9 am - 5 pm EST)
www.tdcusainc.com

Kid's Picnic Table with Umbrella



Assembly Instructions

Made in China

The owner's manual contains important safety information as well as assembly, use and maintenance instructions. Keep the packaging and bags away from children and dispose of all packaging properly before use. Keep this manual for future reference.



**PLEASE DO NOT
RETURN THIS
PRODUCT
TO THE STORE**

We will be happy to correct any problems that you may have, or answer any of your questions regarding the purchase of this product. Please contact us at our Toll Free customer service number 1-800-599-8898 for any assistance and replacement parts. Thank You.

Dist. by TDC USA, Inc. Fairfield, NJ 07004
©2021 All Rights Reserved.
Made in China
Item 22523
www.tdcusainc.com

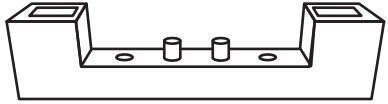
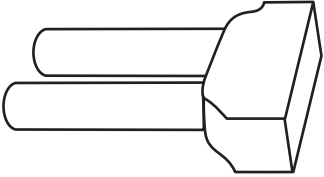
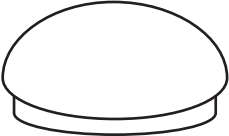
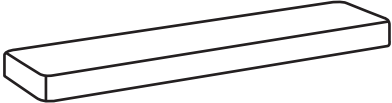
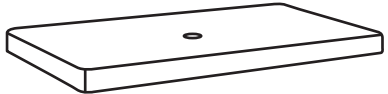

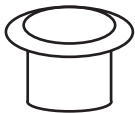
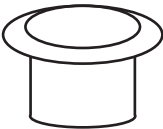
 **WARNING!**

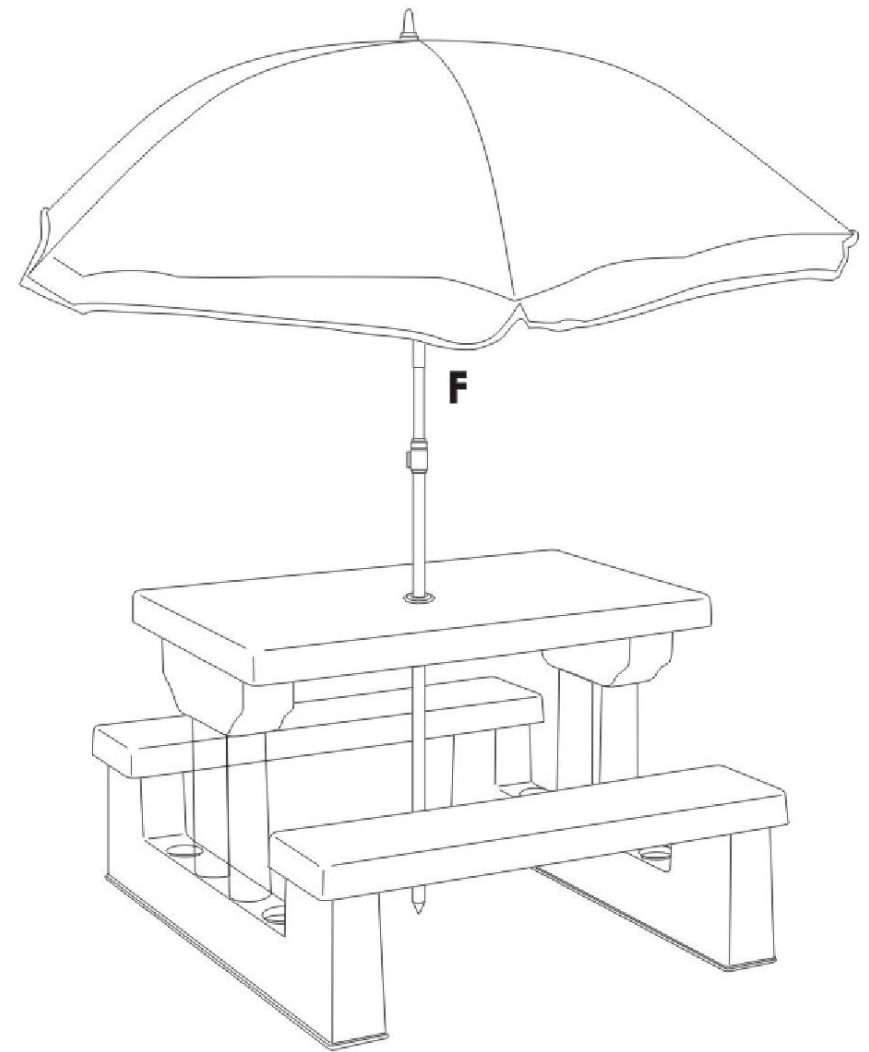
- **Keep all children and pets away from assembly area. Children and pets should be supervised when they are in the area of the product construction.**
- **Some parts may contain sharp edges. When assembling and using this product, basic safety precautions should always be.**
- **Please read all the instructions and warnings before assembling. In order to make the whole product adjust to the best, please install all the screws on the product and tighten all the screws after adjusting the product which can stand on the floor even. Not intended for commercial use.**
- **Check all bolts for tightness before use.**
- **IMPORTANT - check and tighten bolts often to keep them secure**
- **Maximum weight limit is 44 lbs.**

• **CHOKING HAZARD** - Small parts. Not suitable for children under 36 months. The product contains small parts, keep children away when assembling.

• **ADULT ASSEMBLY REQUIRED.**

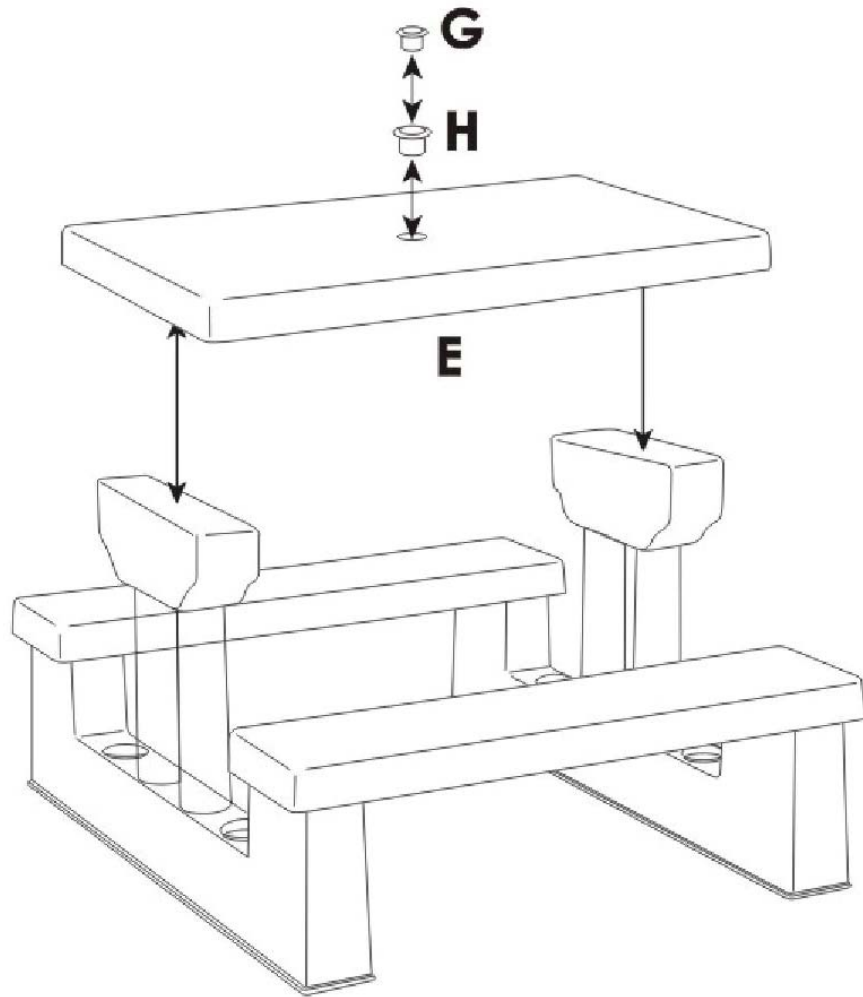
Always remove protective material and poly bags and dispose before assembly.

 <p>A (x2) Base</p>	 <p>B (x2) Columns</p>
 <p>C (x4) Caps</p>	 <p>D (x2) Bench</p>
 <p>E (x1) Table</p>	 <p>F (x1) Umbrella</p>
 <p>G (x1) Ring Cap</p>	 <p>H (x1) Table Ring</p>



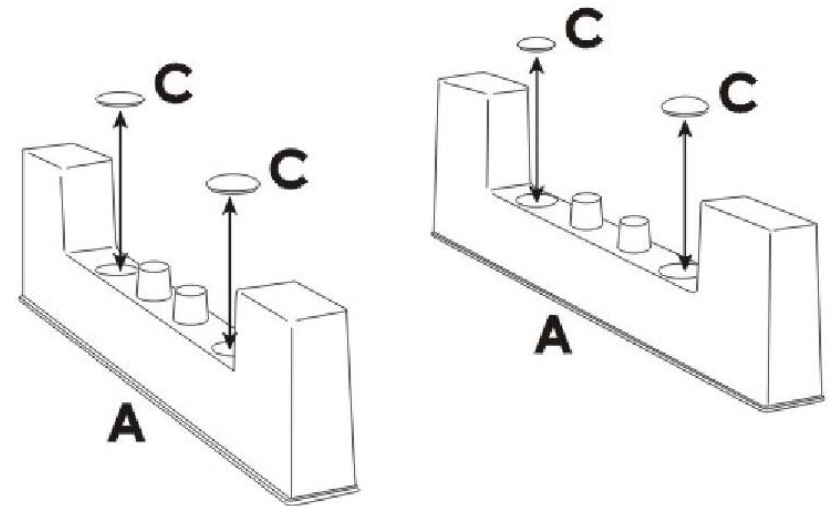
Step 5:

When ready to use Umbrella (F), remove Ring Cap (G) and insert the pole of Umbrella (F) through the center of Table (E). Your Kid's Bench is now ready to be used.



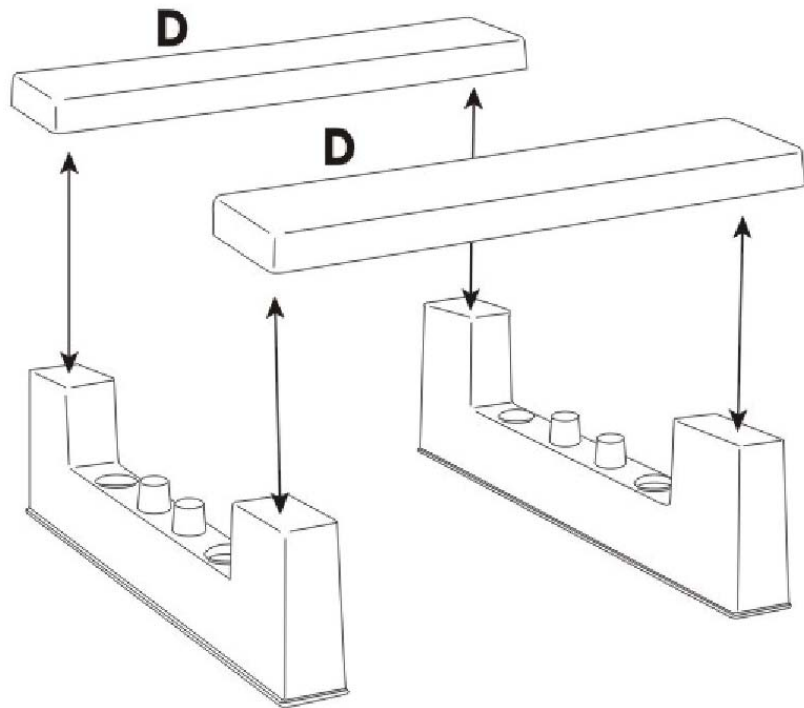
Step 4:

Set Table (E) over the tops of both Columns (B) and apply some weight to lock it in place. Place Table Ring (H) into eyelet found at the center of Table (E). Set Ring Cap (G) into Table Ring (H) when Umbrella (F) is not in use.



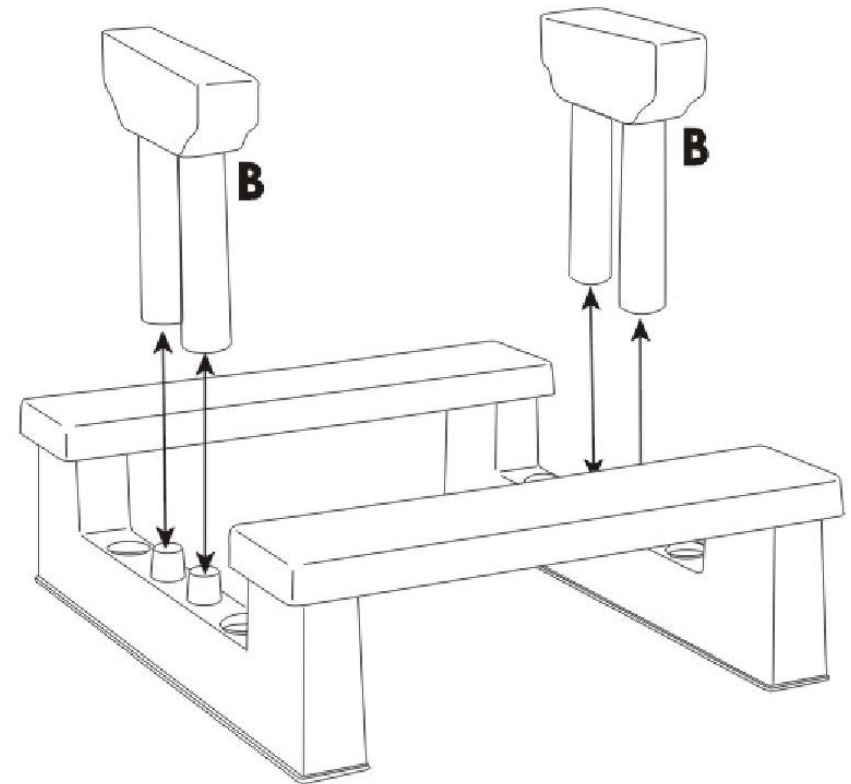
Step 1:

Place two Caps (C) into eyelets found on the surfaces of both Bases (A).



Step 2:

Set both Benches (D) over the tops of each Base (A) as illustrated here. Apply some weight to lock those in place.



Step 3:

Insert Columns (B) into pegs found on the top surfaces of both Bases (A). Apply some weight to lock those in place.