

# Kid's Picnic Table Set

Dist. by TDC USA, Inc. Fairfield, NJ 07004  
©2021 All Rights Reserved. Made in China.  
Item #22579

**Questions and Comments**  
**1-800-599-8898 (9 am - 5 pm EST)**  
**[www.tdcusainc.com](http://www.tdcusainc.com)**

# Kid's Picnic Table Set



## Assembly Instructions

### **Made in China**

The owner's manual contains important safety information as well as assembly, use and maintenance instructions. Keep the packaging and bags away from children and dispose of all packaging properly before use. Keep this manual for future reference.



**PLEASE DO NOT  
RETURN THIS  
PRODUCT  
TO THE STORE**

**We will be happy to correct any problems that you may have, or answer any of your questions regarding the purchase of this product. Please contact us at our Toll Free customer service number 1-800-599-8898 for any assistance and replacement parts. Thank You.**

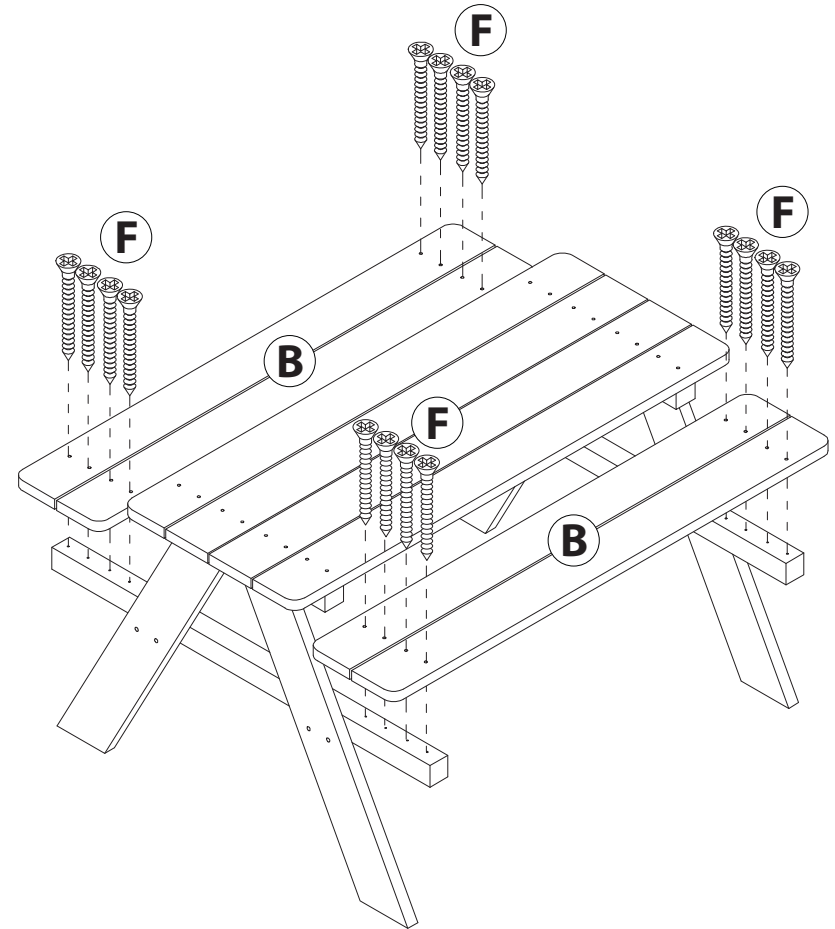
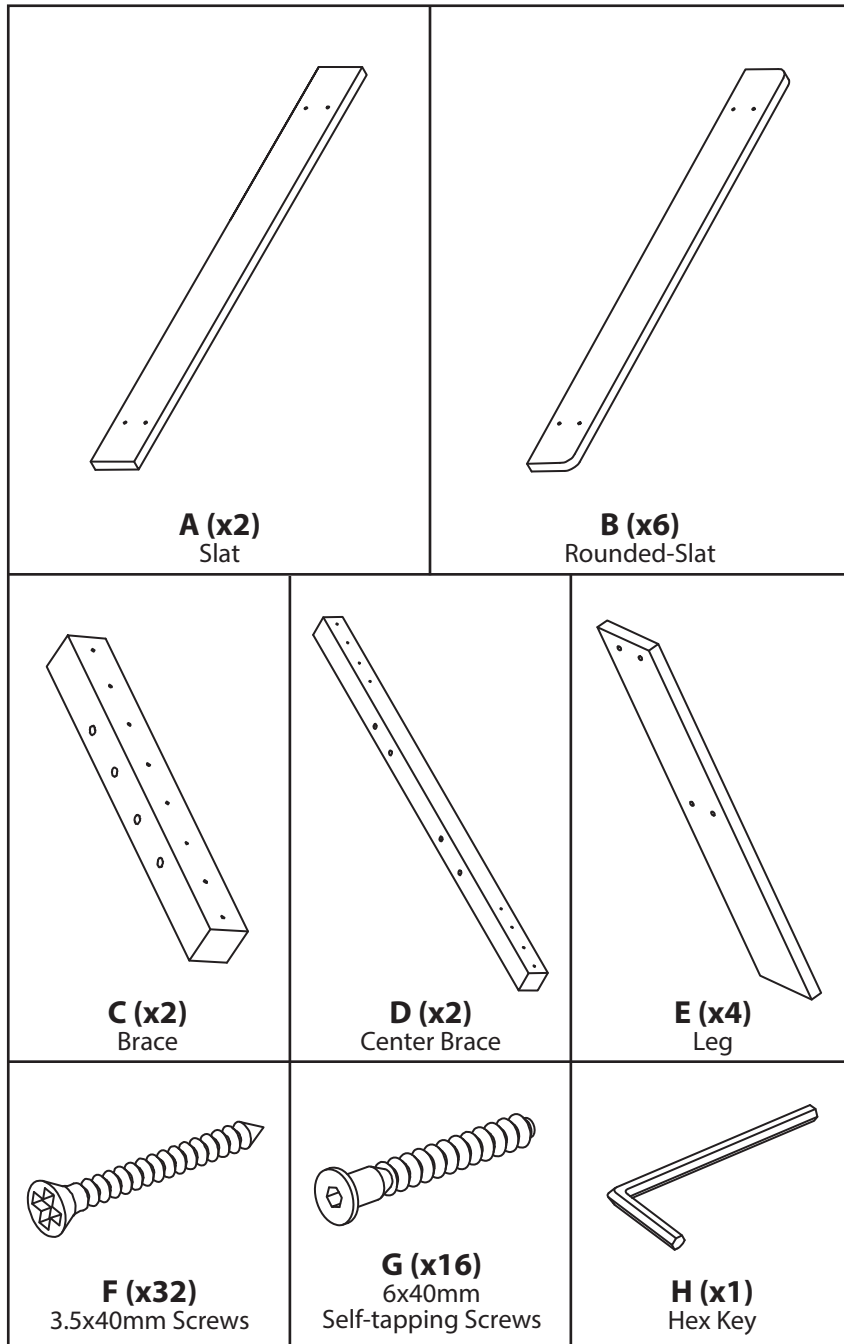
Dist. by TDC USA, Inc. Fairfield, NJ 07004  
©2021 All Rights Reserved.  
Made in China  
Item 22579  
[www.tdcusainc.com](http://www.tdcusainc.com)

 **WARNING!**

- **Keep all children and pets away from assembly area. Children and pets should be supervised when they are in the area of the product construction.**
- **Some parts may contain sharp edges. When assembling and using this product, basic safety precautions should always be.**
- **Please read all the instructions and warnings before assembling. In order to make the whole product adjust to the best, please install all the screws on the product and tighten all the screws after adjusting the product which can stand on the floor even. Not intended for commercial use.**
- **Check all bolts for tightness before use.**
- **IMPORTANT - check and tighten bolts often to keep them secure**

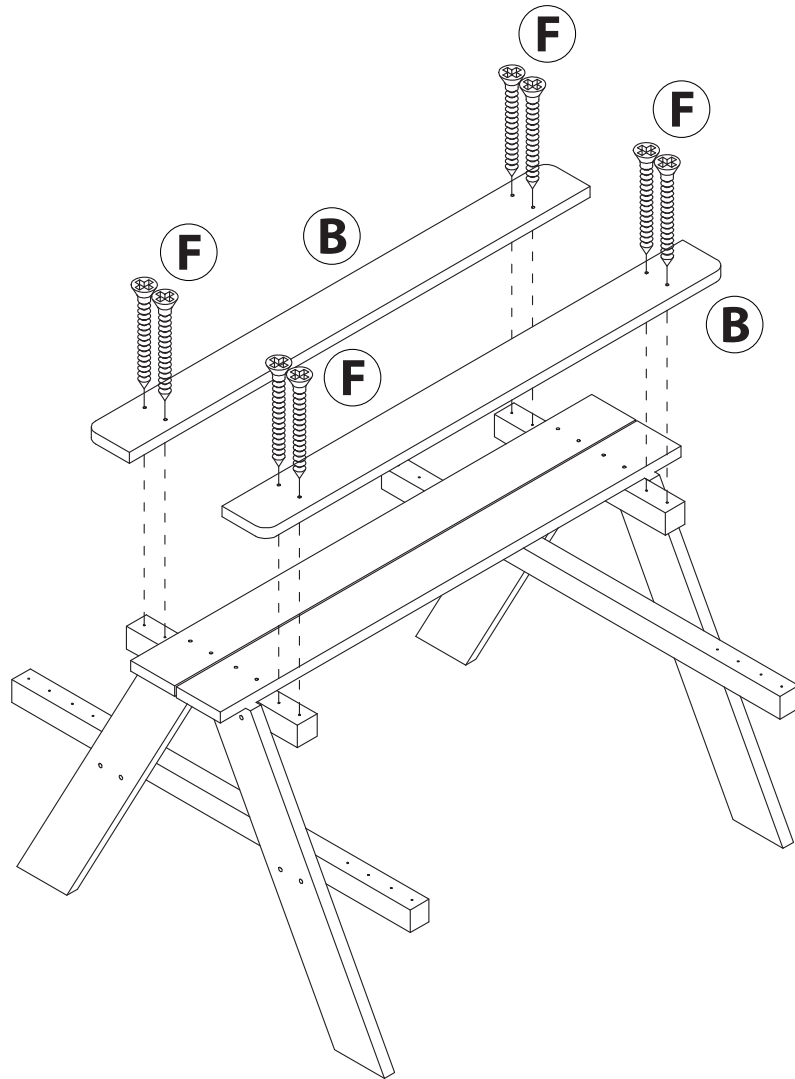
• **CHOKING HAZARD** - Small parts. Not suitable for children under 36 months. The product contains small parts, keep children away when assembling.

• **ADULT ASSEMBLY REQUIRED.**  
Always remove protective material and poly bags and dispose before assembly.



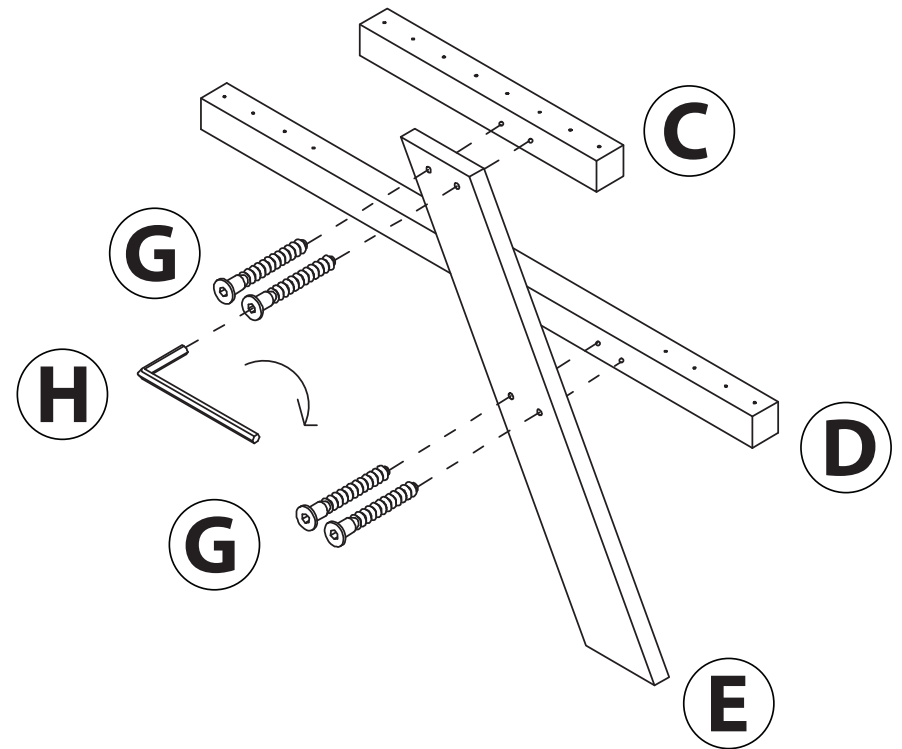
**Step 5:**

Insert two 3.5x40mm Screws (F) through one end of Rounded-slat (B) and into the top of Center Brace (D). Follow this step to assemble the opposite end of Rounded-slat (B) to the top of the second Center Brace (D). Follow these steps to assemble a Rounded-slat (B) next to the first. Follow these steps to assemble the remaining two Rounded-slats (B) to the opposite end of both Center Braces (D). Tighten all bolts and screws left loose throughout assembly process and the picnic table is ready to be used.



### Step 4:

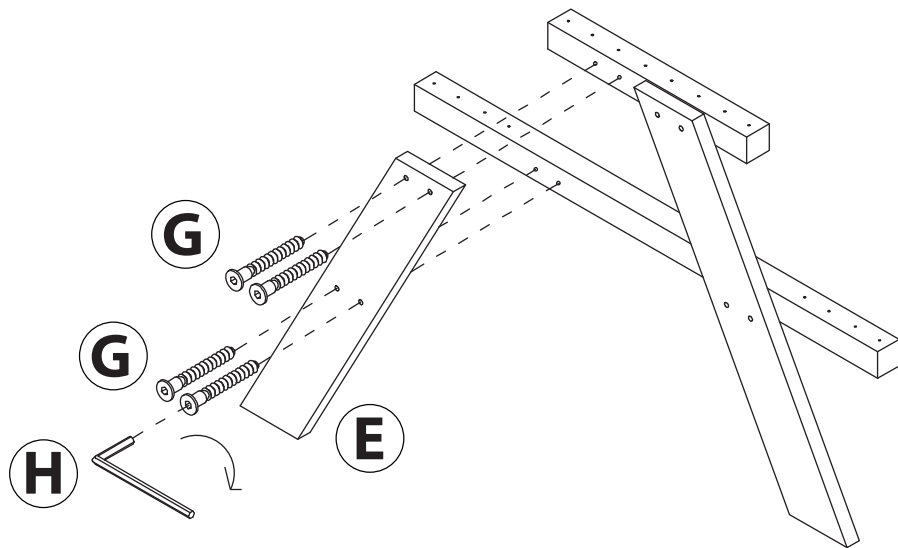
Insert two 3.5x40mm Screws (F) through one end of Rounded-slat (B) and into the top of Brace (C) next to the two assembled slats from the previous step. Follow this step to assemble the opposite end of Rounded-slat (B) to the top of the second Brace (C). Follow these steps to assemble a second Rounded-slat (B) to both Braces (C) on the opposite side of previously assembled Slats (A).



### Step 1:

**NOTE: The 6x40mm Self-tapping Screw (G) is a screw that can tap its own hole as it is driven into the material. The Brace (C) and Center Brace (D) will be marked to indicate where this screw should be drilled.**

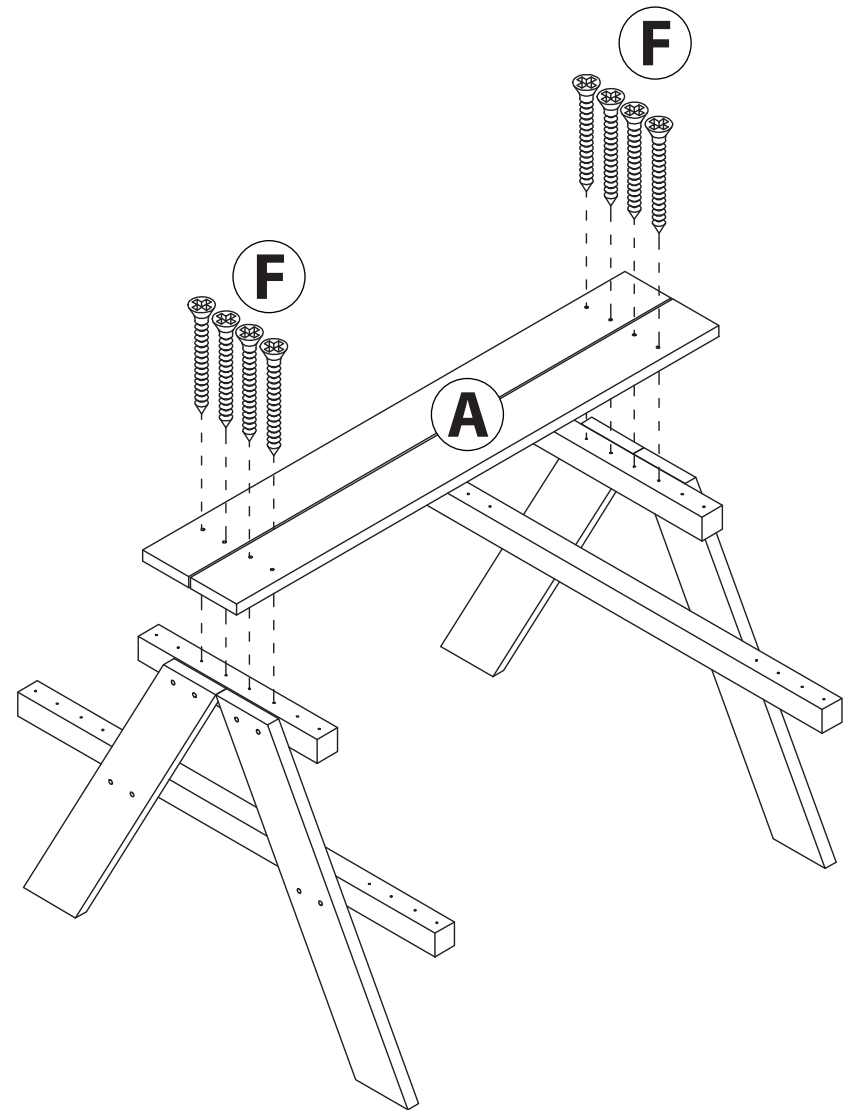
Insert two 6x40mm Self-tapping Screws (G) through eyelets at the top of Leg (E) and into the side of Brace (C) using Hex Key (H). **Do not tighten screws down until assembly of the table is complete.** Insert two 6x40mm Self-tapping Screws (G) through eyelets at in the center of Leg (E) and into the side of Center Brace (D).



### Step 2:

Insert two 6x40mm Self-tapping Screws (G) through eyelets at the top of a second Leg (E) and into the same Brace (C) [assembled in Step 1] using Hex Key (H). Insert two 6x40mm Self-tapping Screws (G) through eyelets at in the center of this Leg (E) and into the side of same Center Brace (D).

Follow the instructions found in Step 1 and 2 to assembled the remaining Legs (B) to the second Brace (C) and Center Brace (D).



### Step 3:

Insert two 3.5x40mm Screws (F) through one end of Slat (A) and into the top of Brace (C) using a screwdriver (not included). Follow this step to assemble the opposite end of Slat (A) to the top of the second Brace (C). Follow these steps to assemble a second Slat (A) next to the first.