

Kid's Chaise Lounge with Umbrella

Dist. by TDC USA, Inc. Fairfield, NJ 07004
©2021 All Rights Reserved. Made in China.
Item #22577

Questions and Comments
1-800-599-8898 (9 am - 5 pm EST)
www.tdcusainc.com

Kid's Chaise Lounge with Umbrella



Assembly Instructions

Made in China

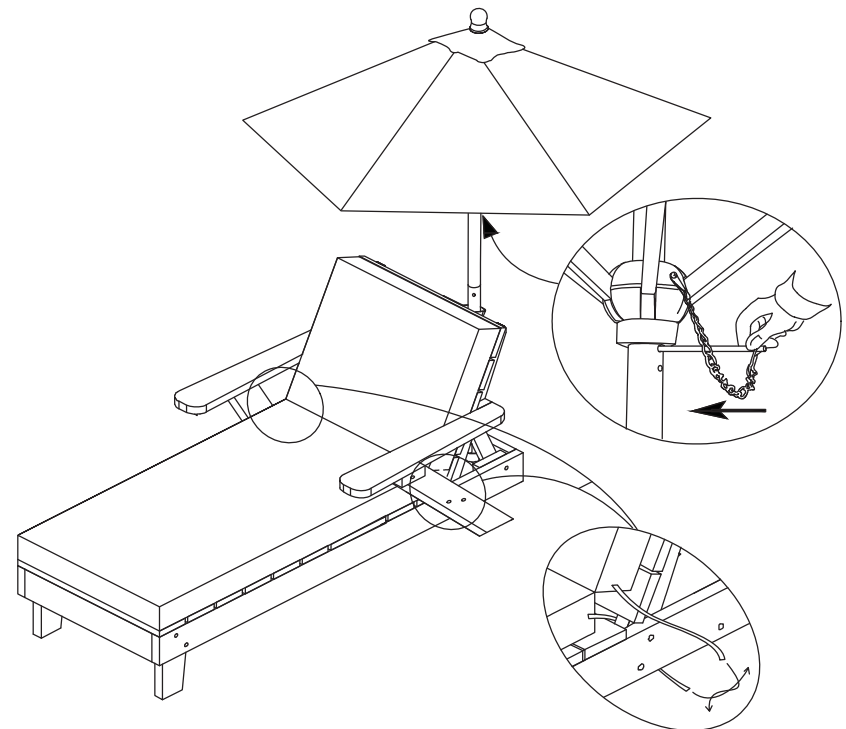
The owner's manual contains important safety information as well as assembly, use and maintenance instructions. Keep the packaging and bags away from children and dispose of all packaging properly before use. Keep this manual for future reference.



**PLEASE DO NOT
RETURN THIS
PRODUCT
TO THE STORE**

We will be happy to correct any problems that you may have, or answer any of your questions regarding the purchase of this product. Please contact us at our Toll Free customer service number 1-800-599-8898 for any assistance and replacement parts. Thank You.

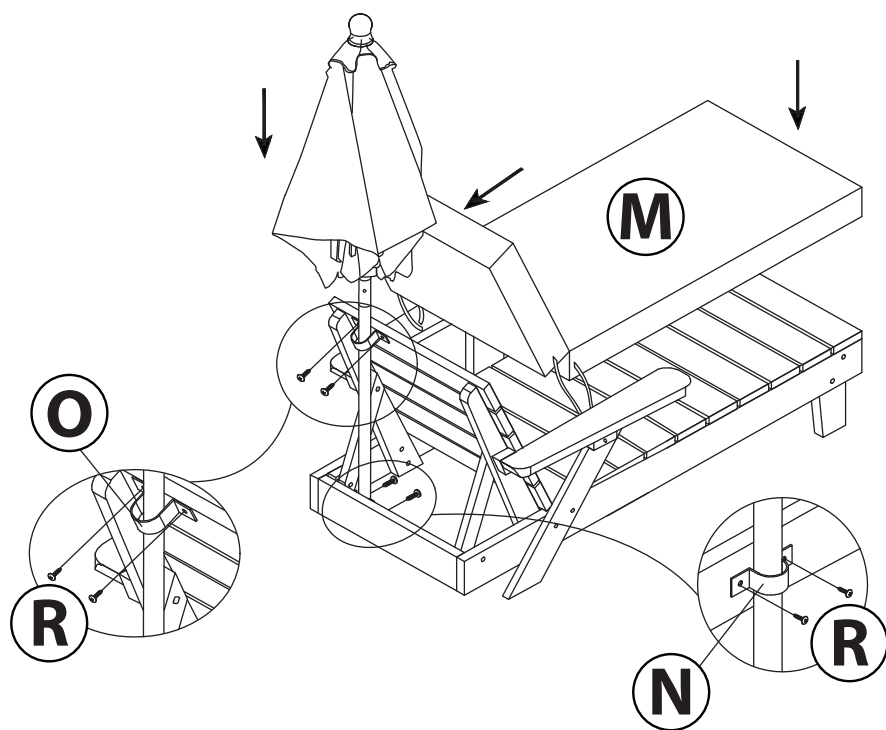
Dist. by TDC USA, Inc. Fairfield, NJ 07004
©2021 All Rights Reserved.
Made in China
Item 22577
www.tdcusainc.com



Step 7:

Use the ties found on Cushion (M) to tie down cushion around the frame of the Lounger (A).

Manually push the base of umbrella canopy ribs over the eyelet drilled through the frame of Umbrella (K). Insert the brass pin [included with Umbrella (K)] through the eyelet of the umbrella frame and allow the base of umbrella canopy ribs to rest upon the brass pin to keep the canopy open.



Step 6:

Insert two 18mm Self-tapping Screws (R) through either side of Bracket (N) and into the inside frame of Lounger (A).

Insert two 18mm Self-tapping Screws (R) through either side of Bracket (O) and into the backside of Lounger Back (F).

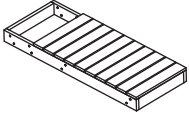
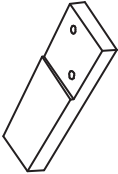
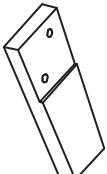
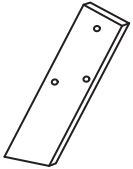
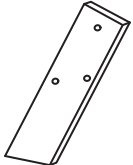
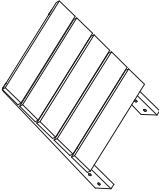
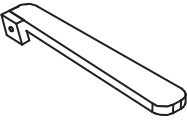
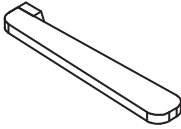
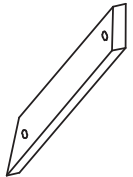
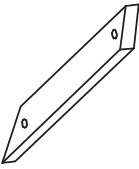
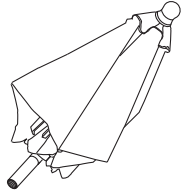
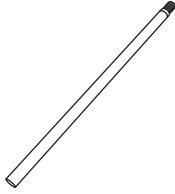
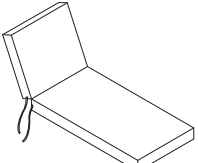
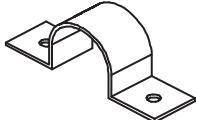
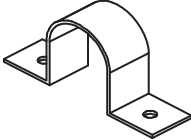

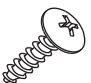
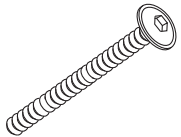
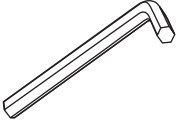
Insert Lower Pole (L) of assembled umbrella through these two Brackets (N & O). Place Cushion (M) over the top of lounge as illustrated here.

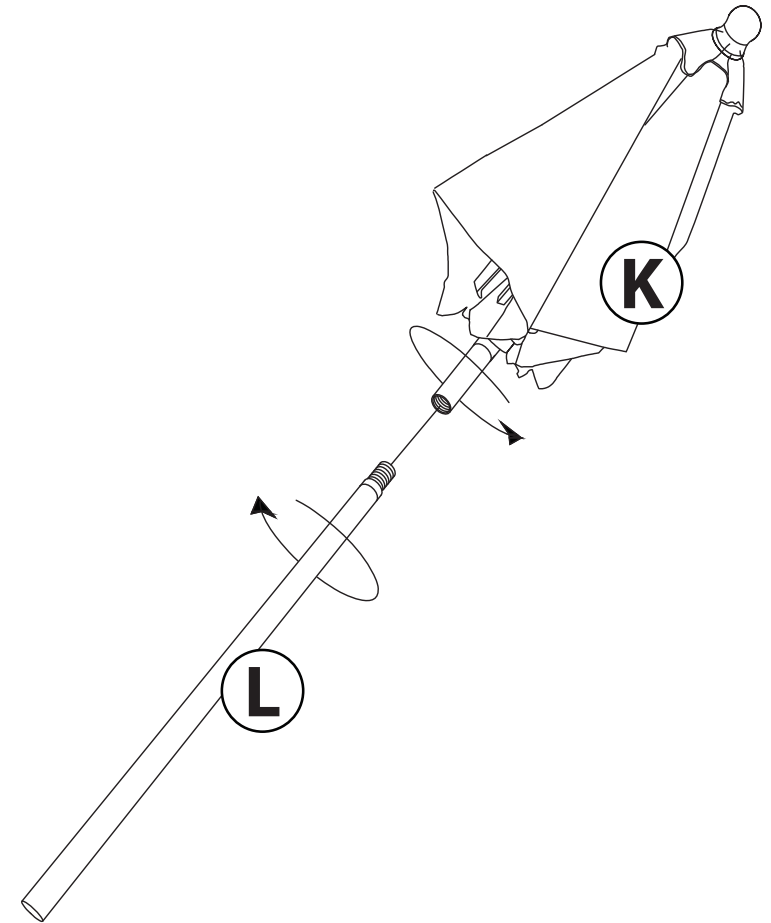
WARNING!

- Keep all children and pets away from assembly area. Children and pets should be supervised when they are in the area of the product construction.
- Some parts may contain sharp edges. When assembling and using this product, basic safety precautions should always be.
- Please read all the instructions and warnings before assembling. In order to make the whole product adjust to the best, please install all the screws on the product and tighten all the screws after adjusting the product which can stand on the floor even. Not intended for commercial use.
- Check all bolts for tightness before use.
- **IMPORTANT** - check and tighten bolts often to keep them secure
- **Maximum weight limit is 80 lbs.**

• **CHOKING HAZARD** - Small parts. Not suitable for children under 36 months. The product contains small parts, keep children away when assembling.

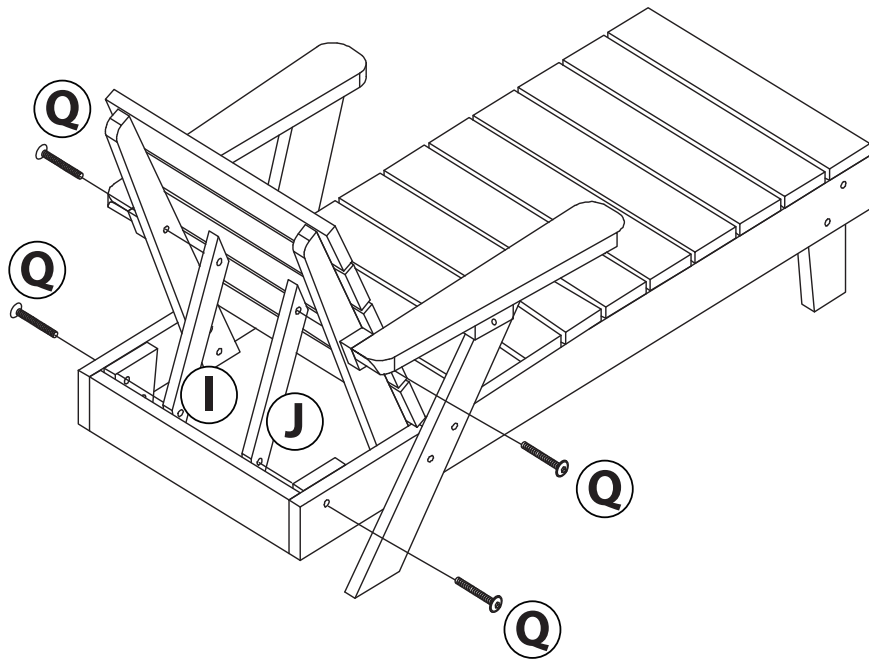
• **ADULT ASSEMBLY REQUIRED.**
Always remove protective material and poly bags and dispose before assembly.

			
A (x1) Lounger	B (x1) Leg	C (x1) Leg	D (x1) Leg
			
E (x1) Leg	F (x1) Lounger Back	G (x1) Left Armrest	H (x1) Right Armrest
			
I (x1) Back Support	J (x1) Back Support	K (x1) Umbrella	L (x1) Lower Pole
			
M (x1) Cushion	N (x1) Bracket	O (x1) Bracket	
			
P (x6) 39 mm Bolt	R (x4) 18 mm Self-tapping Screw	Q (x8) 53 mm Bolt	S (x1) Hex Key



Step 5:

Screw Lower Pole (L) into the bottom of frame for Umbrella (K) by turning it clockwise.



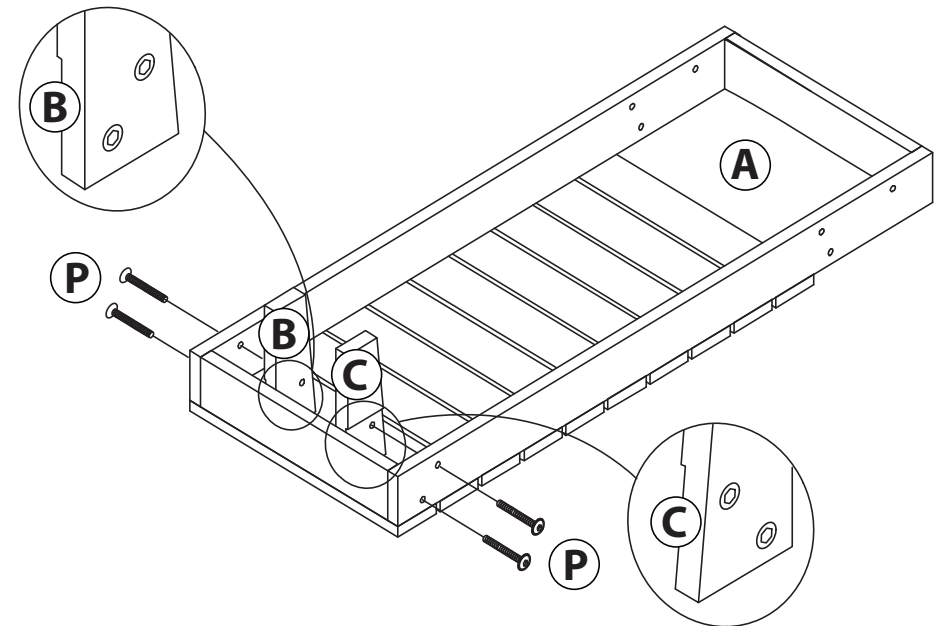
Step 4:

Insert one 53mm Bolt (Q) through eyelets found on the left support of Lounger Back (F) and into the bolt-threading found at the top of Back Support (I).

Insert one 53mm Bolt (Q) through eyelets found on the right support of Lounger Back (F) and into the bolt-threading found at the top of Back Support (J).

Insert one 53mm Bolt (Q) through eyelets found on the left-back corner of Lounger (A) and into the bolt-threading found at the bottom of Back Support (I).

Insert one 53mm Bolt (Q) through eyelets found on the right-back corner of Lounger (A) and into the bolt-threading found at the bottom of Back Support (J). Tighten all bolts left loose throughout assembly process.

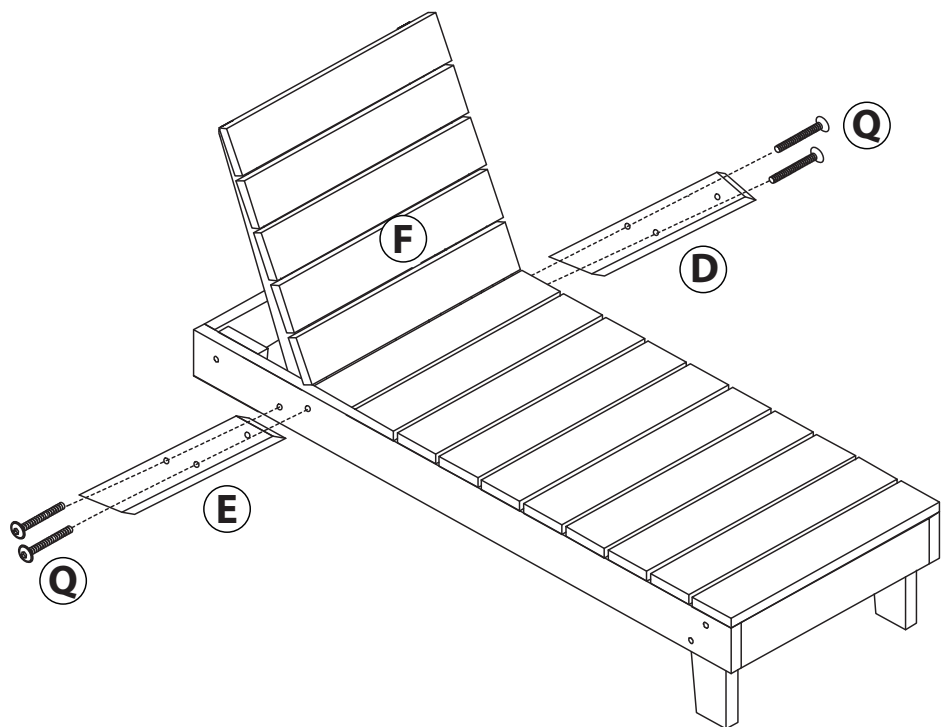


Step 1:

Set the Lounger (A) upside-down on a soft, non-abrasive surface.

Place Front Leg (C) at the corner of Lounger (A) where there are slats, and insert two 39mm Bolts (P) through eyelets of Lounger (A) and into the bolt-threading inserts of Front Leg (C). **Do not tighten bolts all the way until all parts have been assembled.**

Place Front Leg (B) at the corner of Lounger (A), opposite of Front Leg (C), and insert two 39mm Bolts (P) through eyelets of Lounger (A) and into the bolt-threading inserts of Front Leg (B).

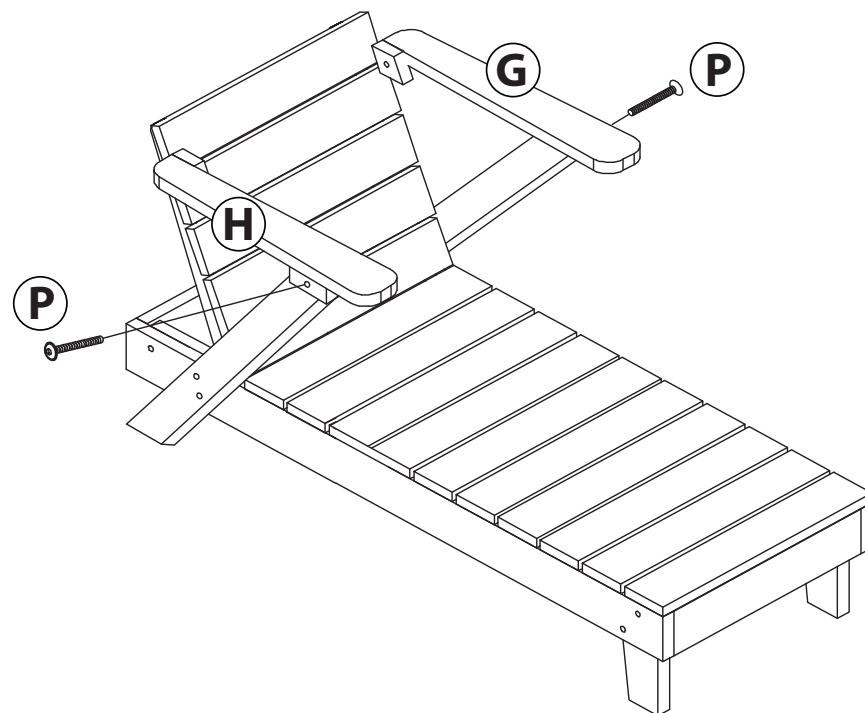


Step 2:

Turn previously assembled parts right-side up.

Insert two 53mm Bolts (Q) through the eyelets in the middle of Back Leg (D), through the eyelets on the left-side of Lounger (A) frame, and into the bolt-threading inserts found at the bottom, left-side of Lounger Back (F).

Insert two 53mm Bolts (Q) through the eyelets in the middle of Back Leg (E), through the eyelets on the right-side of Lounger (A) frame, and into the bolt-threading inserts found at the bottom, right-side of Lounger Back (F).



Step 3:

Insert one 39mm Bolt (P) through eyelet found underneath Left Armrest (G) and into the bolt-threading found at the top of Back Leg (D).

Insert one 39mm Bolt (P) through eyelet found underneath Right Armrest (H) and into the bolt-threading found at the top of Back Leg (E).