

# Jeep® *Rubicon*



## Owner's Manual with Assembly Instructions

**Made in China.**

The owner's manual contains important safety information as well as assembly, use and maintenance instructions. The Ride-on Car must be assembled by an adult who has read and understands the instructions in this manual. Keep the packaging and bags away from children and dispose of all packaging properly before use. Keep this manual for future reference.



**PLEASE DO NOT  
RETURN THIS  
PRODUCT  
TO THE STORE**

**We will be happy to correct any problems that you may have, or answer any of your questions regarding the purchase of this product. Please contact us at our Toll Free customer service number 1-800-599-8898 for any assistance and replacement parts. Thank You.**

Dist. by TDC USA, Inc. Fairfield, NJ 07004  
©2020 All Rights Reserved.  
Made in China.  
#61063  
www.tdcusainc.com

**1 YEAR LIMITED WARRANTY**

Warranty services are provided by TDC USA Inc. If a hardware defect arises and a valid claim is received during the warranty period, TDC USA Inc. will repair the hardware defect by using new or refurbished parts that are equivalent to new in performance and reliability. This warranty is for 1 replacement only of like-items and does not cover items out of production if the product is no longer made or stocked. This warranty is not assignable or transferable. This warranty covers factory defects only. This warranty will not cover labor, return shipping or the shipping expense to you. The warranty does not cover misuse or broken parts caused by the user or by any other event. If we verify a parts defect, we will repair or replace the part, yet you must pay for our labor to do so at our then current rates (if you do not re-install the part yourself). TDC USA INC. will not be responsible for shipping charges on received or refused packages, part returns, or scooter returns. In the event of a verified warranty claim, we will reimburse you for shipping and we will repair or replace the defective part. However, you must arrange and pay for shipping and you bear the risk of loss and damage for the Ride-On or part being shipped back to us.

**CONDITIONS OF WARRANTY:**

*The user assumes all risk of personal injuries, damage to, or failure of the Vehicle and any other losses if the Vehicle is altered in any way or if the Vehicle is used for stunt riding, ramp jumping, aerobatics or similar activities, or is towed by another person or vehicle.*

**THIS WARRANTY DOES NOT COVER ANY DAMAGE DUE TO THE FOLLOWING:**

1. Transportation
2. Storage
3. Improper use
4. Failure to follow the product instructions or perform any preventive maintenance
5. Modifications
6. Unauthorized repair
7. Normal wear and tear
8. External causes such as accidents, abuse, or other actions or events beyond our reasonable control
9. Used as a rental
10. Weather related water damage is determined
11. Minor surface blemishes, rips, tears, or other cosmetic damages due to normal use, or other intentional or unintentional damage to the product.
12. Any damage which results from aging, such as fading of paint, deterioration of plated surfaces, deterioration of rubber or plastics, or rusting.

**DO NOT DISASSEMBLE THE PRODUCT.**

Doing so will void this warranty. Only TDC USA Inc. is the authorized service center who should perform service on this product.

**⚠ WARNING: Changes or modifications to this unit not expressly approved by the party responsible for compliance could void the user's authority to operate the equipment.**

**OWNER'S WARRANTY RESPONSIBILITIES:**

As the device's owner, you are responsible for the performance of the required maintenance. You may be denied a warranty claim solely because of your failure to ensure the performance of all scheduled maintenance. As the owner, you should be aware that you may be denied your warranty coverage if your device or a part has failed due to abuse, neglect, improper maintenance, or unapproved modifications. For any issue regarding your Ride-On, call toll free 1-(888) 599-8898, or email support@tdcusainc.com

- This ride-on car will provide your child with many miles of riding of enjoyment. To help assure you and your rider a safe ride we ask you to please read this manual carefully, and keep it for future reference.
- Follow the recommendations in this manual, they are designed to improve the safety and operation of your ride-on car and it's rider.

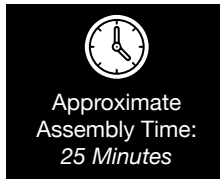
 **WARNING!**

- **CHOKING HAZARD** - Small parts. Not suitable for children under 36 months. The product contains small parts, keep children away when assembling.
- **ADULT ASSEMBLY REQUIRED.** Always remove protective material and poly bags and dispose before assembly.

• **Assembly tools required:**



Screwdriver  
(not included)



**Specifications**

Age	3+ years
Weight Capacity	Max 50 lbs (23 Kg)
Overall Dimensions	24.8" x 11.4" x 15.3"

**SAFETY**

**The following safety hazards may result in serious injury or death:**

- This product contains small parts. Keep children away during assembly. Make sure to remove all packaging material and parts from underneath the vehicle body.
- Limbs, hair, and clothing can get caught in moving parts. Always wear shoes, keep limbs away from moving parts, and do not wear loose clothing while operating this vehicle.
- This Vehicle does not have brakes or braking capability. Do not leave a child unattended during operation. Do not use this in a location that may require braking capability, as this could result in loss of control, which may cause serious injury or death.
- Use of this vehicle in unsafe conditions such as snow, rain, loose dirt, mud, sand, or gravel may result in an unexpected accident such as tipping over, and could damage the electrical system or battery.
- Do not operate this vehicle in an unsafe manner. Examples include but are not limited to:
  - Pulling the vehicle with another vehicle or similar device
  - Allowing more than one rider
  - Pushing the user
  - Traveling at an unsafe speed

**USER WARNINGS**

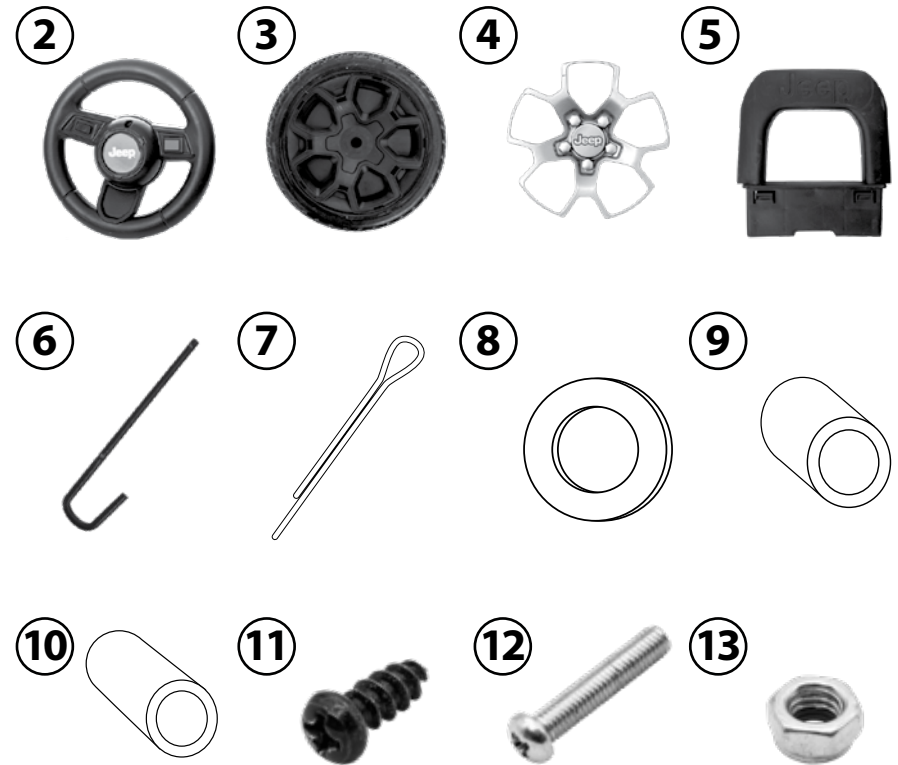
**Not following safety guidelines may result in serious injury or death:**

- Never leave a child unattended.
- Always sit in the seat when using this vehicle.
- Only one rider is allowed on the vehicle at a time.
- Only drive on level ground.
- Do not go near swimming pools or other bodies of water, drop-offs or up and down steep inclines.
- Do not drive the vehicle into loose dirt, mud, sand, fine gravel, or on wet surfaces.
- Do not drive the vehicle on streets or near cars.
- This toy should be used with caution since skill is required to avoid falls or collisions causing injury to the user or third parties.
- Protective equipment should be worn.
- Never use in the dark. A child could encounter unexpected obstacles and have an accident. Operate the vehicle only in the daytime or a well-lit area.
- Do not let any child touch the wheels or be near them when the car is moving.

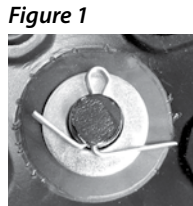
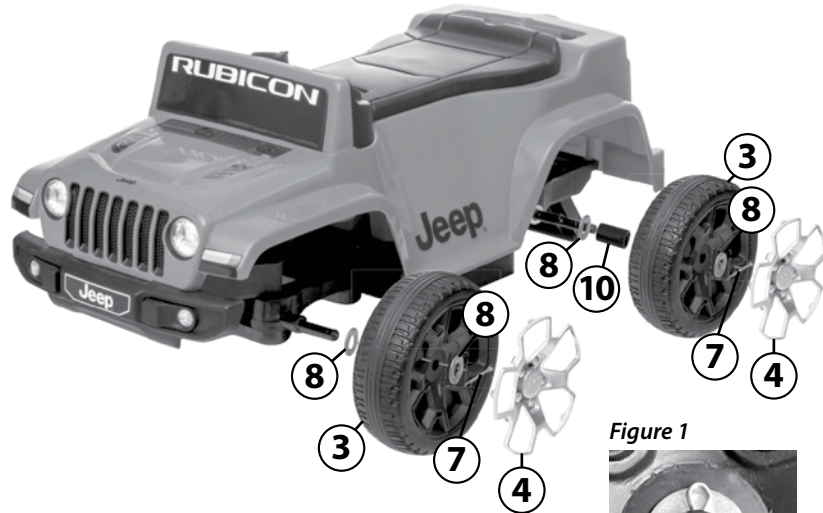
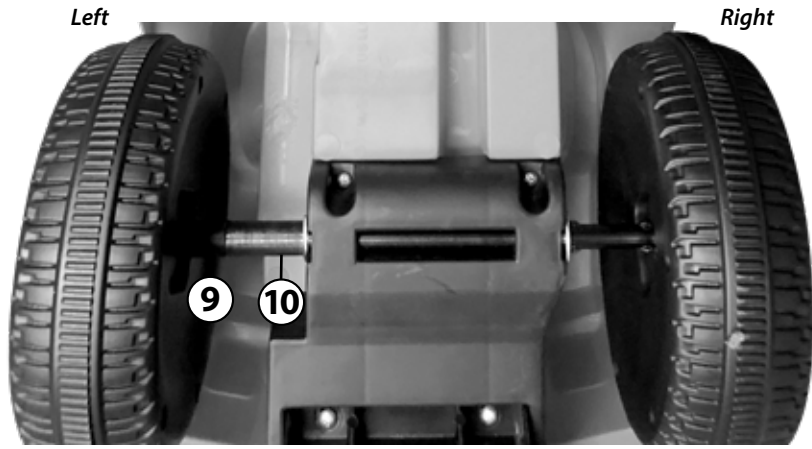
Parts List | 6

PART NUMBER	PART NAME	QUANTITY (PCS)
1	Vehicle Body	1
2	Steering Wheel	1
3	Wheel	4
4	Wheel Cover	4
5	Back Rest	1
6	Steering Column	1
7	Split Pin	4
8	Φ10.5 Washer	10
9	19mm Liner	1
10	34mm Liner	1
11	ST4x8 Machine Screw	1
12	M5x24 Machine Screw	1
13	M5 Nut	1

Parts Diagram | 7



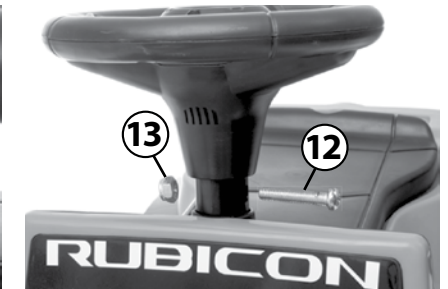
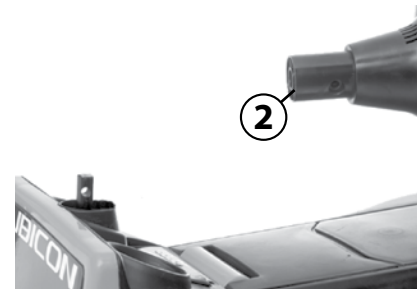
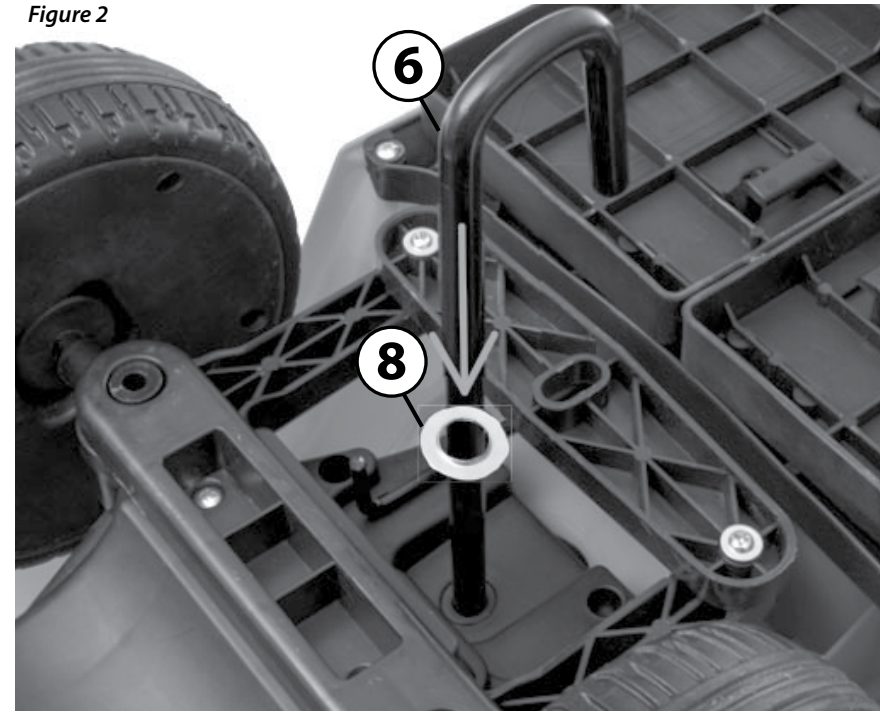
**Note:** Some parts shown are assembled on both sides of vehicle



### Install the Back Wheels

- Turn the vehicle body upside down.
- Install the back wheels per above photo instruction.
- Install the left back wheel by installing a Washer (8) and both Liner (9) and (10) to fill the space of the axle. Next install the Wheel (3) onto the axle and cap it with a Washer (8) and a Split Pin (7). Bend the Split Pin in reverse direction as depicted in Figure 1. This will secure the wheel on the axle. Lastly, install the Wheel Cover (4) to complete assembly.
- Install the right back wheel by inserting a Washer (8) onto the right axle. Slide the Wheel (3) onto the right axle and cap it with a Washer (8) and a Split Pin (7). Install the Wheel Cover (4) to complete assembly.

Figure 2



### Install the Steering Wheel

- Insert the Steering Column (6) with a Washer (8) together from the bottom of the vehicle body and slide up the vehicle as depicted in Figure 2. Align the steering wheel hole on the top of the vehicle and the steering column when inserted fully, the steering column will extrude out from the top of the vehicle.
- Insert the Steering Wheel (2) onto the extruded Steering Column (6) align the holes together and insert Machine Screw (12) into the hole and lock place with a Nut (13) on the other side of the steering wheel.



### Install the Front Wheels

- Install the front wheels with the parts in this sequence. First insert a Washer (8) on the axle, follow by a Wheel (3) and then a Washer (8), and finish it with a Split Pin (7), bent the Split Pin in reverse direction so it is secure. Finish the cap with a Wheel Cover (4)
- Repeat the same on the other side.



### Attach the Back Rest

- Insert the Back Rest (5) into the vehicle body at the back.



### Install the Batteries for Horn Sound in Steering Wheel

- With a screwdriver remove the Screw (11) on the battery cover located in the center of the steering wheel.
- Remove the battery cover from the top of the battery compartment.
- Insert two AAA batteries in their correct polarities.
- Place the battery cover over the battery compartment and fasten with the same Screw (11) you removed from step one.
- Press horn for sound.

### Maintaining

- Make sure the plastic parts of the ride on are not cracked or broken.
- Store the ride on indoors. Always protect it from weather.
- Keep the ride on away from sources of heat, such as stoves and heaters.
- Clean the ride on with a soft dry cloth.

# Jeep<sup>®</sup> *Rubicon*

Dist. by TDC USA, Inc. Fairfield, NJ 07004  
©2020 All Rights Reserved. Made in China.  
Item #61063

**Questions and Comments**  
**1-800-599-8898 (9 am - 5 pm EST)**  
**[www.tdcusainc.com](http://www.tdcusainc.com)**