

Metal Park Bench



Assembly Instructions

Made in China

The owner's manual contains important safety information as well as assembly, use and maintenance instructions. Keep the packaging and bags away from children and dispose of all packaging properly before use. Keep this manual for future reference.



**PLEASE DO NOT
RETURN THIS
PRODUCT
TO THE STORE**

We will be happy to correct any problems that you may have, or answer any of your questions regarding the purchase of this product. Please contact us at our Toll Free customer service number 1-800-599-8898 for any assistance and replacement parts. Thank You.

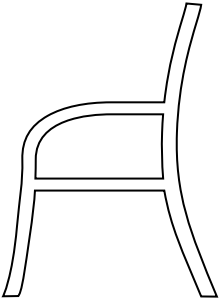
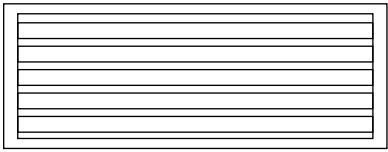
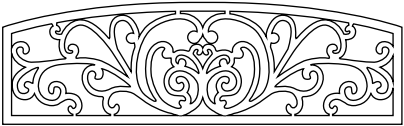
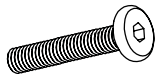
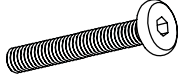
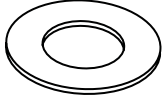
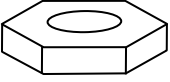
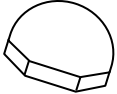
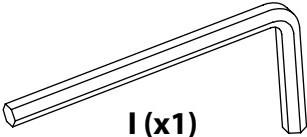
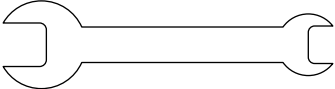
Dist. by TDC USA, Inc. Fairfield, NJ 07004
©2021 All Rights Reserved.
Made in China
Item 21137
www.tdcusainc.com

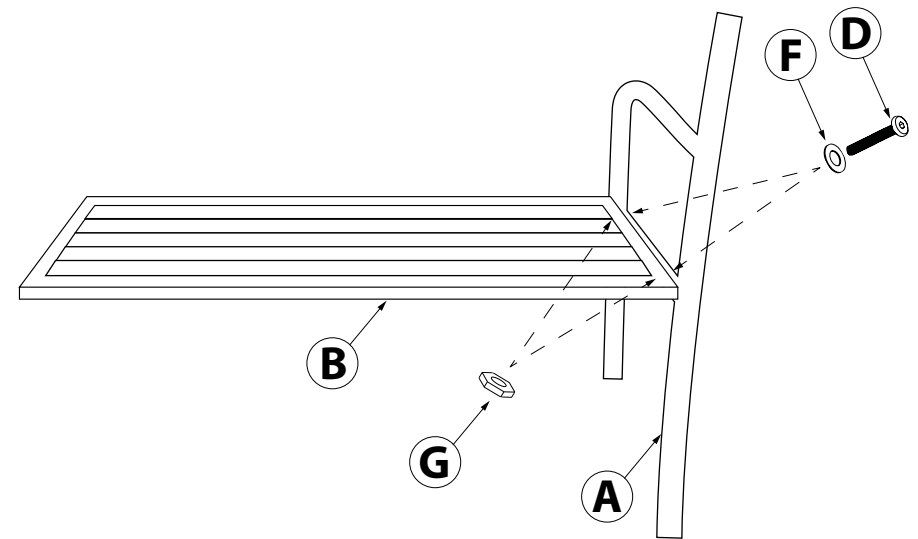
 **WARNING!**

- Keep all children and pets away from assembly area. Children and pets should be supervised when they are in the area of the product construction.
- Some parts may contain sharp edges. When assembling and using this product, basic safety precautions should always be.
- Please read all the instructions and warnings before assembling. In order to make the whole product adjust to the best, please install all the screws on the product and tighten all the screws after adjusting the product which can stand on the floor even. Not intended for commercial use.
- Check all bolts for tightness before use.
- **IMPORTANT** - check and tighten bolts often to keep them secure

• **CHOKING HAZARD** - Small parts. Not suitable for children under 36 months. The product contains small parts, keep children away when assembling.

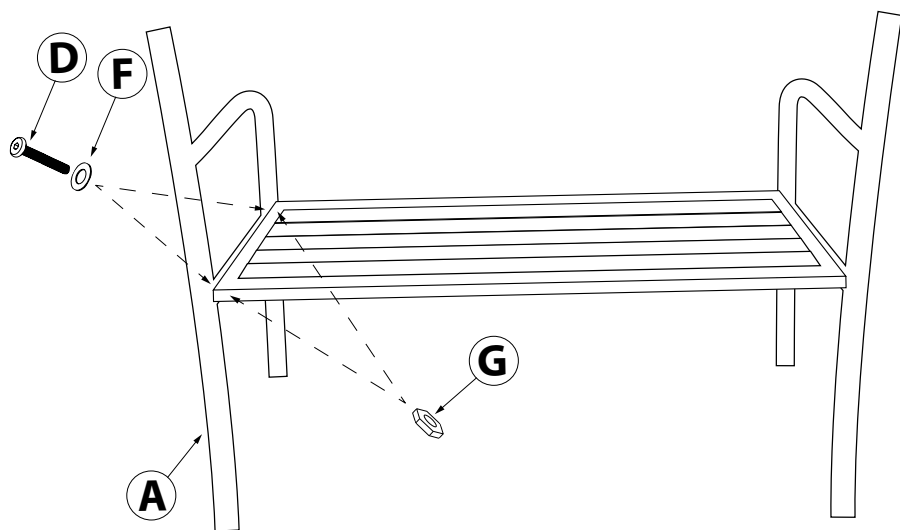
• **ADULT ASSEMBLY REQUIRED.**
Always remove protective material and poly bags and dispose before assembly.

 <p>A (x2) Armrest</p>		
 <p>B (x1) Seat</p>	 <p>C (x1) Back</p>	
 <p>D (x4) 50mm Bolt</p>		 <p>E (x4) 70mm Bolt</p>
 <p>F (x8) Washer</p>	 <p>G (x8) Nut</p>	 <p>H (x8) Cap</p>
 <p>I (x1) Hex Key</p>		 <p>J (x1) Wrench</p>



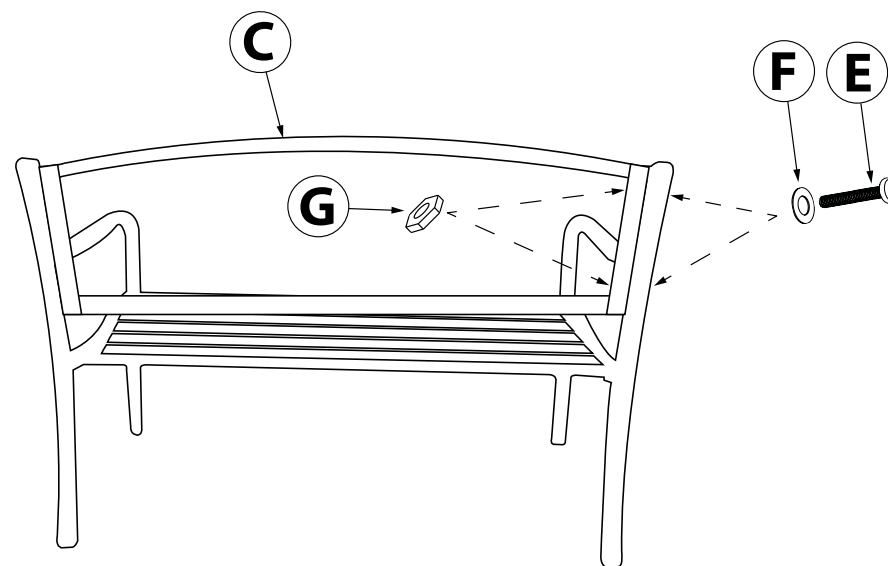
Step 1:

Insert two 50mm Bolts (D) with Washers (F) through eyelets on horizontal bar of Armrest (A), through eyelets found on the end of the right-side of Seat (B), and use two Nuts (G) to hold parts in place. **Do not tighten bolts down completely until assembly is complete.**



Step 2:

Follow the instructions provided in Step 1 to assemble the second Armrest (A) to the left-side of Seat (B).



Step 3:

Place Back (C) in between the back supports of Armrest (A).

Insert two 70mm Bolts (E) with Washers (F) through eyelets of back support Armrest (A), through eyelets found on the end of the right-side of Back (C), and use two Nuts (G) to hold parts in place. Follow this step to assemble the second Armrest (A) to the left-side of Back (C).

Tighten all bolts left loose throughout assembly process using Hex Key (I) and Wrench (J). Place Caps (H) over the eight Nuts (G) used during assembly. Your Cast Iron Bench is now ready to be used.



Metal Park Bench

Dist. by TDC USA, Inc. Fairfield, NJ 07004
©2021 All Rights Reserved. Made in China.

Item #21137

Questions and Comments
1-800-599-8898 (9 am - 5 pm EST)
www.tdcusainc.com