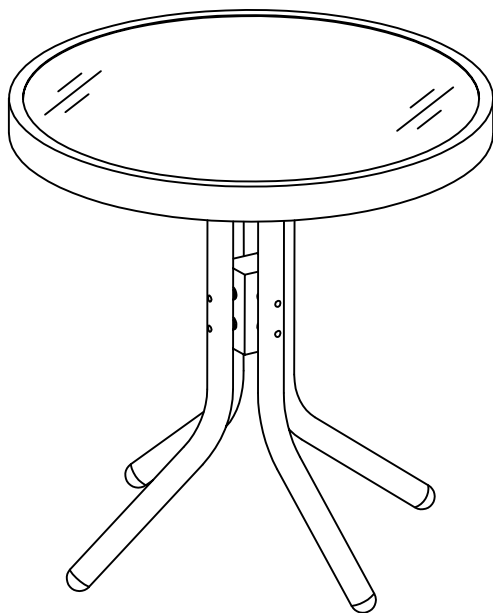


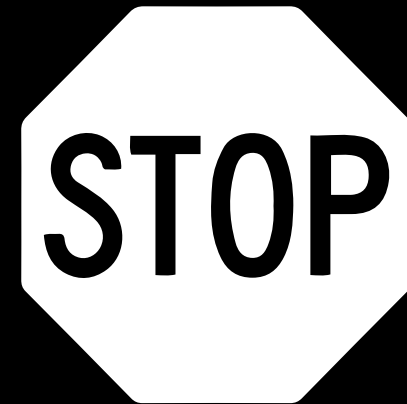
Glass Side Table



Assembly Instructions

Made in China

The owner's manual contains important safety information as well as assembly, use and maintenance instructions. Keep the packaging and bags away from children and dispose of all packaging properly before use. Keep this manual for future reference.



**PLEASE DO NOT
RETURN THIS
PRODUCT
TO THE STORE**

We will be happy to correct any problems that you may have, or answer any of your questions regarding the purchase of this product. Please contact us at our Toll Free customer service number 1-800-599-8898 for any assistance and replacement parts. Thank You.

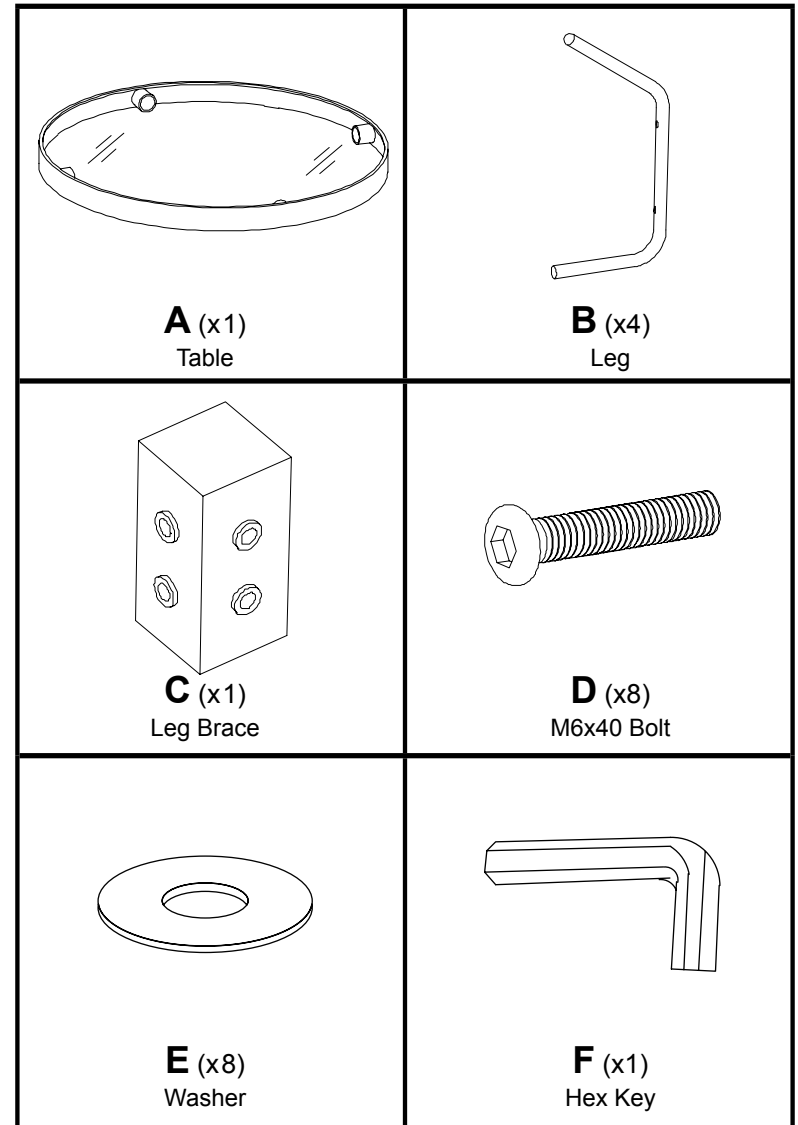
Dist. by TDC USA, Inc. Fairfield, NJ 07004
©2020 All Rights Reserved.
Made in China
Item 22078
www.tdcusainc.com

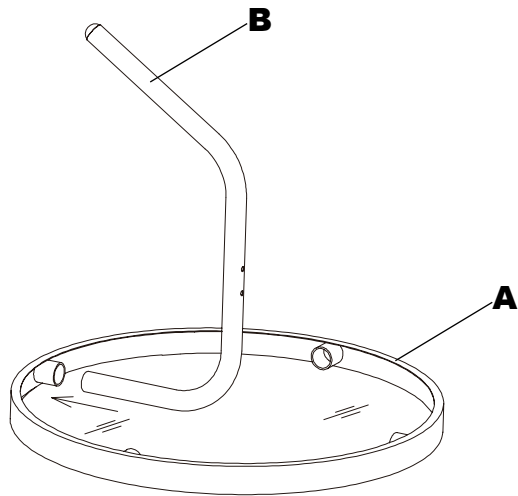
 **WARNING!**

- Keep all children and pets away from assembly area. Children and pets should be supervised when they are in the area of the product construction.
- Some parts may contain sharp edges. When assembling and using this product, basic safety precautions should always be.
- Please read all the instructions and warnings before assembling. In order to make the whole product adjust to the best, please install all the screws on the product and tighten all the screws after adjusting the product which can stand on the floor even. Not intended for commercial use.
- Check all bolts for tightness before use.
- **IMPORTANT** - check and tighten bolts often to keep them secure

• **CHOKING HAZARD** - Small parts. Not suitable for children under 36 months. The product contains small parts, keep children away when assembling.

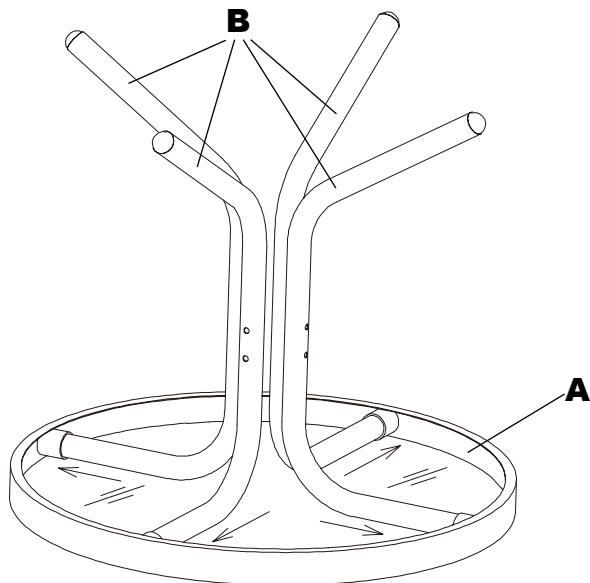
• **ADULT ASSEMBLY REQUIRED.**
Always remove protective material and poly bags and dispose before assembly.





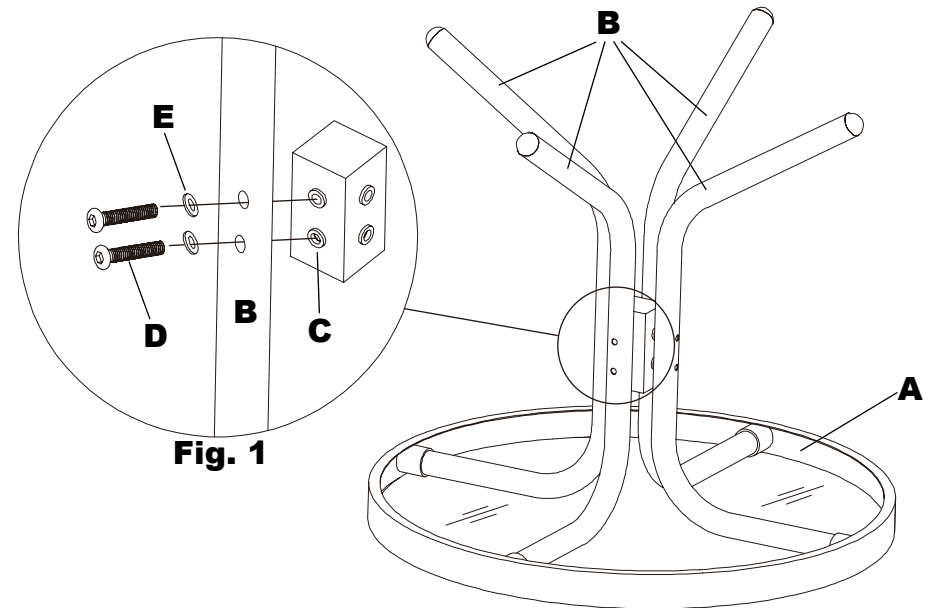
Step 1:

Carefully set Table (A) upside down on the ground; be mindful of glass when setting it down. Insert end of Leg (B) into plastic-insert inside of rim of Table (A).



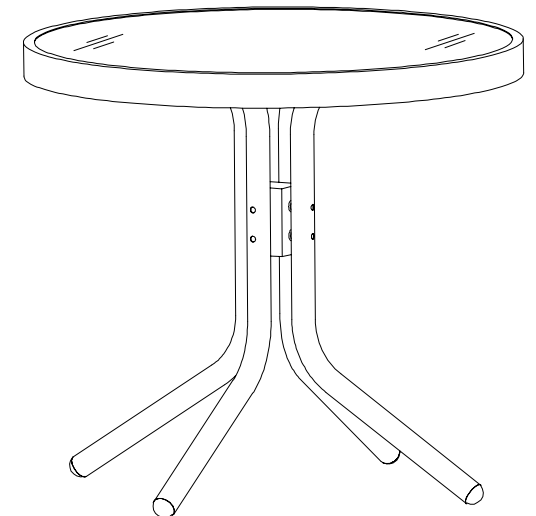
Step 2:

Follow Step 1 to place the remaining Legs (B) into inserts of Table (A).



Step 3:

Place Leg Brace (C) in between Legs (B). Insert two Bolts M6x40 (D) with Washers (E) through holes at the center of each Leg (B) and into the screw-threading found on each side of Leg Brace (C); see Fig.1. It is advised to not tighten bolts all the way until all four Legs (B) have been secured to Leg Brace (C).



Step 4:

Tighten all bolts left loose throughout assemble process. Carefully turn the table right-side up when completed.

Glass Side Table

Dist. by TDC USA, Inc. Fairfield, NJ 07004
©2020 All Rights Reserved. Made in China.
Item #22078

Questions and Comments
1-800-599-8898 (9 am - 5 pm EST)
www.tdcusainc.com