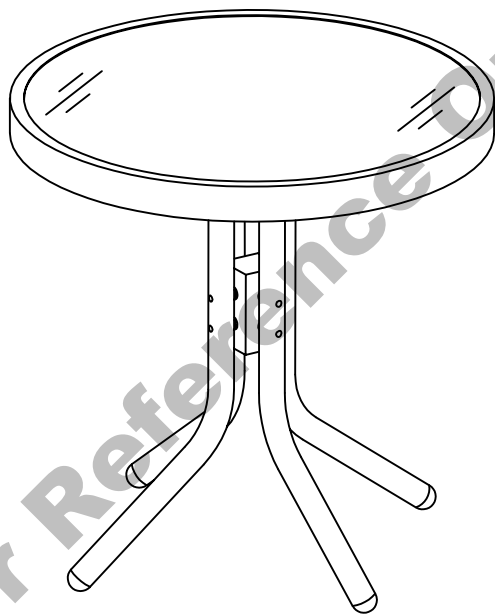


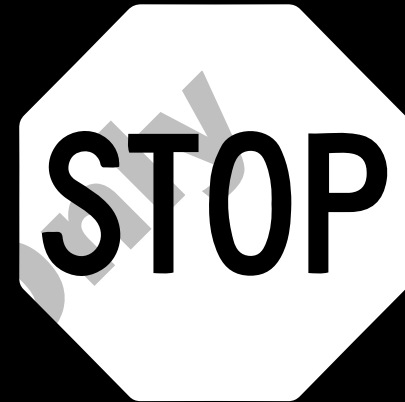
# Glass Side Table



## Assembly Instructions

### **Made in China**

The owner's manual contains important safety information as well as assembly, use and maintenance instructions. Keep the packaging and bags away from children and dispose of all packaging properly before use. Keep this manual for future reference.



**PLEASE DO NOT  
RETURN THIS  
PRODUCT  
TO THE STORE**

**We will be happy to correct any problems that you may have, or answer any of your questions regarding the purchase of this product. Please contact us at our Toll Free customer service number 1-800-599-8898 for any assistance and replacement parts. Thank You.**

Dist. by TDC USA, Inc. Fairfield, NJ 07004

©2023 All Rights Reserved.

Made in China

Item 22078

[www.tdcusainc.com](http://www.tdcusainc.com)

For Reference

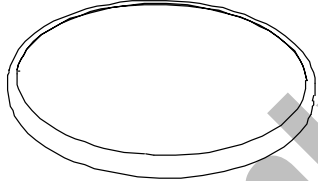
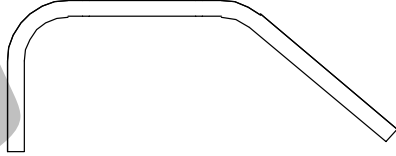

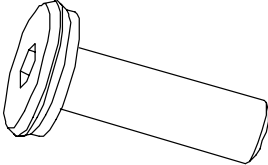
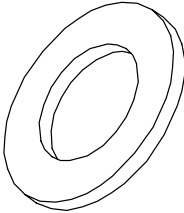
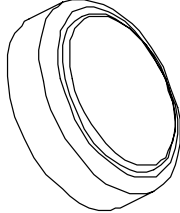
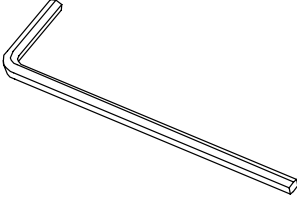
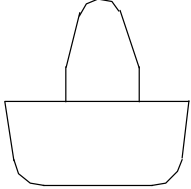
 **WARNING!**

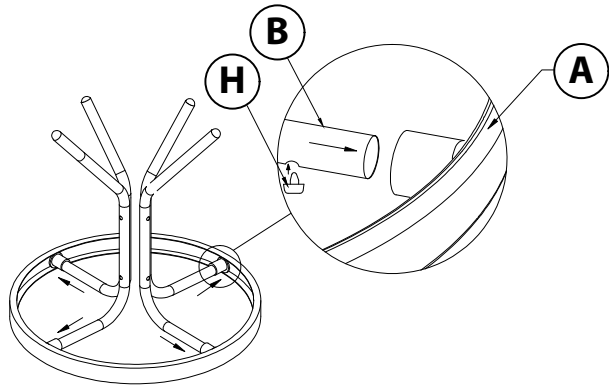
- Keep all children and pets away from assembly area. Children and pets should be supervised when they are in the area of the product construction.
- Some parts may contain sharp edges. When assembling and using this product, basic safety precautions should always be.
- Please read all the instructions and warnings before assembling. In order to make the whole product adjust to the best, please install all the screws on the product and tighten all the screws after adjusting the product which can stand on the floor even. Not intended for commercial use.
- Check all bolts for tightness before use.
- **IMPORTANT** - check and tighten bolts often to keep them secure

• **CHOKING HAZARD** - Small parts. Not suitable for children under 36 months. The product contains small parts, keep children away when assembling.

• **ADULT ASSEMBLY REQUIRED.**

Always remove protective material and poly bags and dispose before assembly.

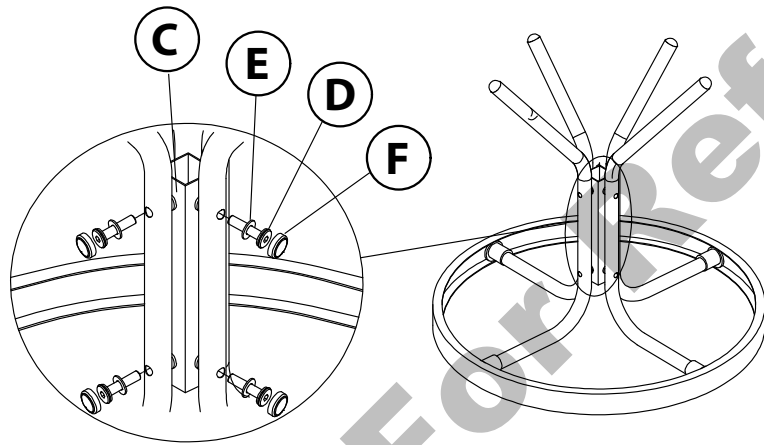
 <p><b>A (x1)</b> Side Table</p>	 <p><b>B (x4)</b> Side Table Leg</p>
 <p><b>C (x1)</b> Leg Brace</p>	 <p><b>D (x8)</b> M6x33 Bolt</p>
 <p><b>E (x8)</b> Washer</p>	 <p><b>F (x8)</b> Cap</p>
 <p><b>G (x1)</b> Hex Key</p>	 <p><b>H (x4)</b> Spacer</p>



**Step 1:**

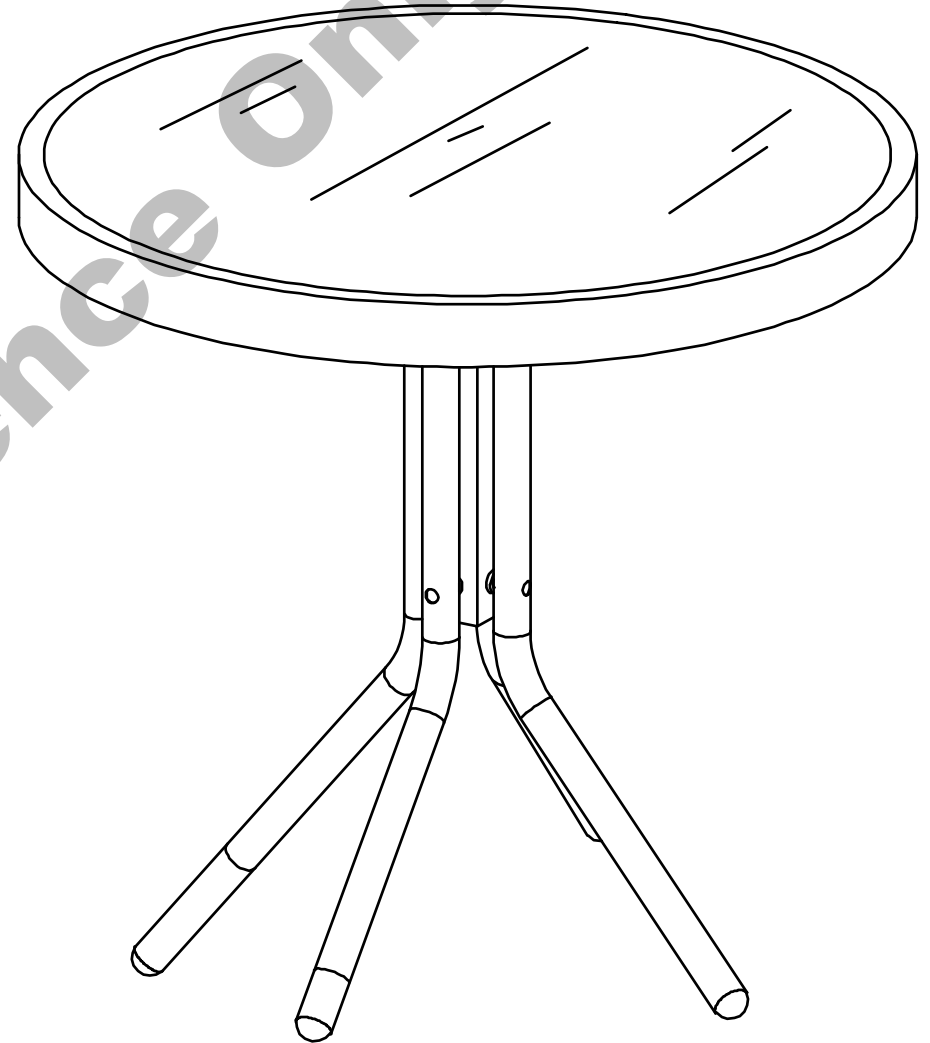
Carefully lay Side Table (A) upside down on the ground; be mindful of the glass when setting it down.

To begin, place one Spacer (H) in each eyelet found near the opening of each Side Table Leg (B). Insert the open end of Side Table Leg (B) into a plastic-insert inside of the rim of Side Table (A). Follow this step to place the remaining Side Table Legs (B) into each plastic-insert of Side Table (A).



**Step 2:**

Place Brace (C) in between Side Table Legs (B) as illustrated above. Insert two M6x33 Bolts (D) with Washers (E) through the center eyelets of each Side Table Leg (B), and into the bolt-threading found on each side of Brace (C). Do not tighten bolts down completely until bolts have been inserted through each leg first. Place Caps (F) over the heads of each bolt used during assembly.



**Step 3:**

When finished, turn the side table right side up, and it now ready to use.

# Glass Side Table

Dist. by TDC USA, Inc. Fairfield, NJ 07004  
©2023 All Rights Reserved. Made in China.  
Item #22078

**Questions and Comments**  
**1-800-599-8898 (9 am - 5 pm EST)**  
**[www.tdcusainc.com](http://www.tdcusainc.com)**