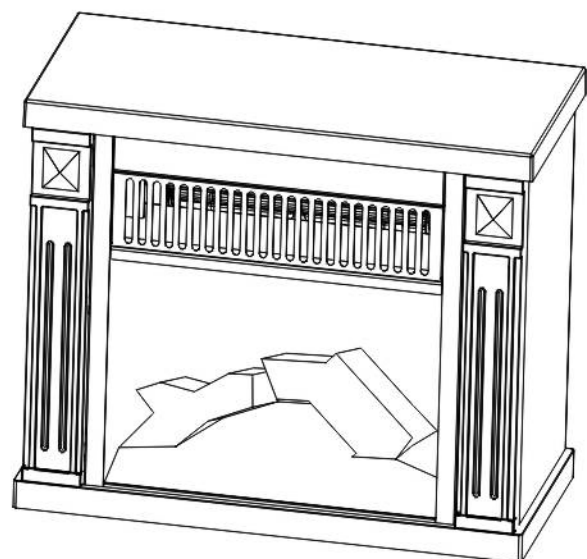


# COUNTERTOP ELECTRIC FIREPLACE

## OWNER'S MANUAL

Model No. 32935 (GDTFP-1200A)



### PLEASE SAVE THESE INSTRUCTIONS

**WARNING: READ THIS OWNER'S MANUAL CAREFULLY BEFORE USE.**

Thank you for choosing an Electric Fireplace. This owner's manual will provide you with valuable information necessary for the proper care and maintenance of your new product. Please take a few moments to thoroughly read the instructions and familiarize yourself with all the operational aspects of your new heater.

### IMPORTANT INSTRUCTIONS

When using this electric unit, basic safety precautions should always be followed to reduce the risk of fire, electric shock, and injury to persons, including the following:

1. Read ALL instructions before using this unit.
2. CAUTION: Risk of Electric Shock. DO NOT open or try to repair the heater yourself.
3. This heater may get hot when in use. To avoid burns, DO NOT let bare skin touch hot surfaces. If provided, use handles when moving this heater.
4. Keep combustible materials, such as furniture, pillows, bedding, paper, clothes, and curtains at least 3 ft from the front of the heater and keep them away from the sides, top, and rear. DO NOT place towels or other objects on the heater.
5. Extreme caution is necessary when any heater is used by or near children or the disabled, or when the heater is left operating and unattended.
6. DO NOT operate any heater with a damaged cord or after the heater malfunctions, has been dropped or damaged in any manner. Return heater to authorized service facility for examination, electrical or mechanical adjustment, or repair.
7. This heater is not intended for use in bathrooms, laundry areas and similar indoor locations. NEVER locate heater where it may fall into a bathtub or other water container. To protect against electrical hazards, DO NOT immerse in water or other liquids.
8. DO NOT touch the control panel or plug with a wet hand.
9. DO NOT run cord under carpeting. DO NOT cover cord with throw rugs, runners, or similar coverings. Arrange cord away from traffic area and where it will not be tripped over.

2

10. DO NOT insert or allow foreign objects to enter any ventilation or exhaust opening as this may cause an electric shock or fire, or damage the heater.
11. To prevent a possible fire, DO NOT block the air intakes or exhaust in any manner. DO NOT use on soft surfaces, like a bed, where openings may become blocked.
12. A heater has hot and arcing or sparking parts inside. DO NOT use in areas where gasoline, paint, explosive and/or flammable liquids are used or stored. Keep unit away from heated surfaces and open flames.
13. Always plug heaters directly into a wall outlet receptacle. Never use with an extension cord or relocatable power tap(outlet/power strip)
14. To avoid fire or shock hazard, plug the unit directly into a 120VAC electrical outlet.
15. To disconnect heater, turn controls to OFF, then remove plug from outlet. Pull firmly on the plug, DO NOT unplug by pulling on the cord.
16. Always unplug the unit before moving or cleaning, or whenever the heater is not in use.
17. Use only for intended household use as described in this manual. Any other use not recommended by the manufacturer may cause fire, electric shock, or injury to persons. The use of attachments not recommended or sold by unauthorized dealers may cause hazards.
18. Always use on a dry, level surface. Use on floor only.
19. DO NOT use outdoors.
20. WARNING: To reduce the risk of fire or electric shock, DO NOT use this unit with any solid-state speed control device.
21. DO NOT attempt to repair or adjust any electrical or mechanical functions on this unit. Doing so will void your warranty. The inside of the unit contains no user serviceable parts. Qualified personnel should perform all servicing only.
22. Connect to properly grounded outlets only.
23. Save these instructions.

3

### SPECIFICATIONS

Voltage Rating	120 V (60Hz)
Power Consumption	1200W
Unit Size	13.6 in. (W) x 6.8in. (D) x 9.92in. (H)
Unit Weight	7.7 lbs

### SAFETY FEATURES

#### Overheat Safety Feature

This heater is equipped with an overheat safety feature. When the heaters internal components reach a certain temperature that could cause overheat and possible fire, the heater will automatically shut off.

### IN THE BOX

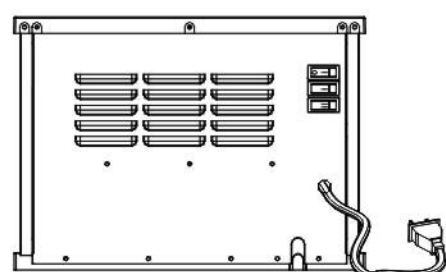
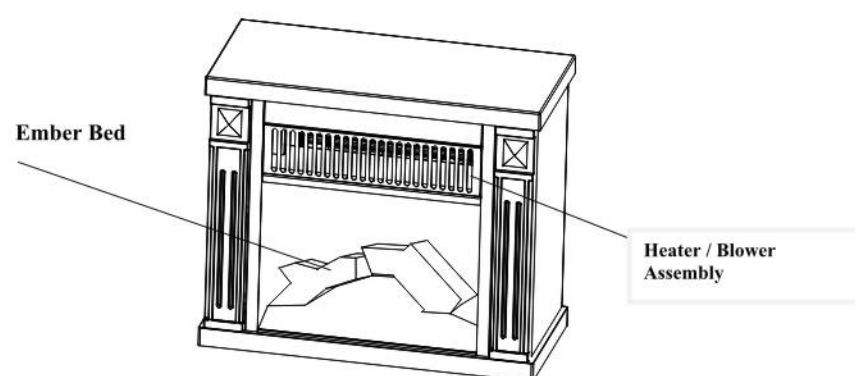
\*ELECTRIC STOVE \*INSTRUCTION BOOKLET

### PREPARATION

Before beginning assembly of product, make sure all parts are present. Compare parts with package contents list and hardware contents above. If any part is missing or damaged, do not attempt to assemble the product. Contact customer service for replacement parts.

4

### PRODUCT DIAGRAM



5

1. The main power switch (#1) is located on the Rear cover and switch with flame effect
2. Heat switch - One switch for low heat setting (600 Watts)
3. Heat Switch - Two switches for high heat setting (1200 Watts)

### AUTOMATIC CUT-OFF

A cut-off switch is fitted to the heating element to prevent damage due to overheating. If it cuts-off due to an obstruction in the airflow, the heater must be allowed to cool for 5 minutes and the obstruction must be removed before restarting.

### OPERATING YOUR HEATER

Once the stove has been properly assembled and connected to a grounded electrical outlet, it is ready to operate:

1. **Main Power:**  
The main power switch (#1) is located on the Rear cover. Press the switch with flame effect.
2. **600W:**  
For low heat function - Press 600W switch (#2) while the FAN function Opened.
3. **1200W: (Both 600W Switches)**  
For high heat function - Press second 600W switch (#3)

### MAINTENANCE

#### 1. Replacing Light Bulbs

CAUTION: Even though the glass is safety glass it may break if bumped, struck or dropped. Care must be taken when handling the glass.

This electric stove uses clear 120V / 25W, G9 socket base light bulbs. For safety, replace all bulbs at the same time if one goes out.

- a. Turn the main power switch off, and then unplug the power cord from the wall outlet.
- b. If the stove has been operating, let the unit cool at least 1 hours.
- c. Loosen the screws holding the stove cover panel to the main body of stove (see Fig.1).
- d. Remove light bulbs and replace with clear 120V / 25W, G9 Socket base light bulbs (see Fig.2).
- e. Place rear cover panel back into position and tighten screws (Do not over tighten).

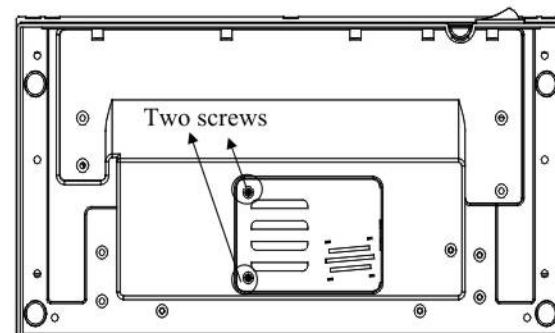


Fig.1

6

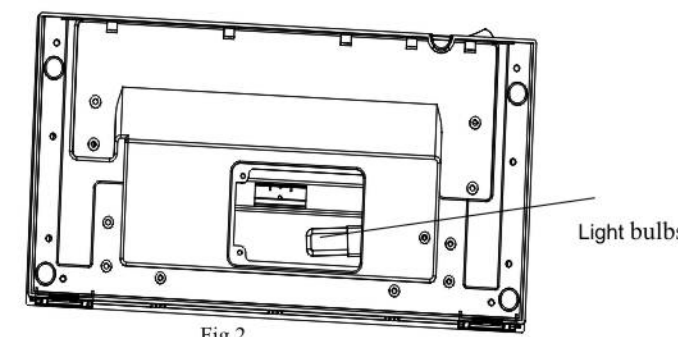


Fig.2

### 2. Glass Information

- \* Under no circumstances should this product be operated with missing or broken glass.
- \* Do not strike or slam the glass.
- \* Do not use abrasive cleaners to clean the glass.
- \* Replacement glass is available from the manufacturer and replacement should be carried out by a qualified service person.

### 3. Cleaning

- \*To clean the unit, first turn off controls on unit and unplug unit from power source.
- \*To clean the glass door: remove dust with clean dry cloth or to remove finger prints and other marks clean glass with clean damp cloth. Do not use abrasive cleaners or spray liquids on glass door surfaces.
- \*Metal and metal painted parts should be cleaned with clean damp cloth only. Do not use abrasive cleaners or spray liquids on this surface.

### TROUBLE SHOOTING

If the heater will not operate, please check the following before seeking repair of service:

1. Check if the power cord is plugged into an electrical outlet, if not, plug in.
2. Check if electricity to the outlet is working.
3. Insure the main power switch on the lower front of the heater is switched to "on"
4. If the power button behind the heater is turned on but the heater is not operating, then the safety overheat function may have been triggered. Try pressing the power button. If the heater does not turn on, clear any obstructions from front and rear of heater that may have caused internal overheating. Allow the heater to cool approximately 15 minutes and then press the power button again

### STORAGE

Store the heater in a cool, dry location when not in use. To prevent dust and dirt build-up, use the original packaging to repack the unit.

7

Distributed by TDC USA, Inc., Faireld, NJ 07004

© 2019 All Rights Reserved. Made in China.  
Item 32935 Countertop Electric Fireplace  
?/Comments: 1-800-599-8898 9 am - 5 pm EST  
www.tdcusainc.com