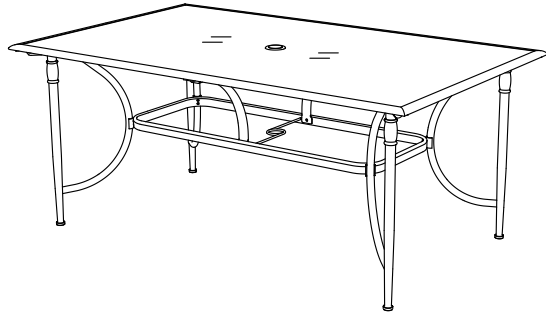
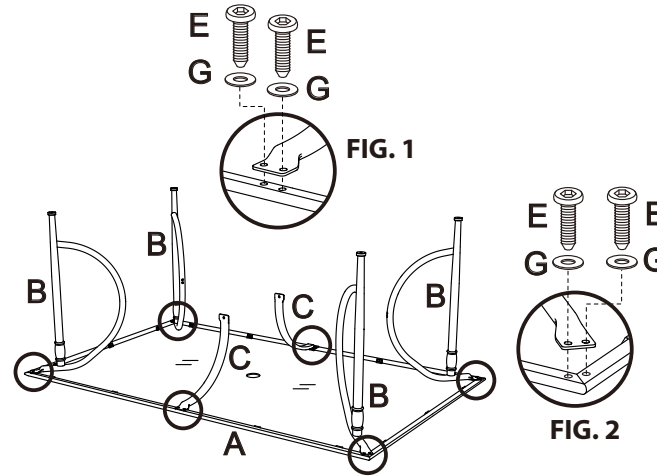


ASSEMBLY INSTRUCTIONS

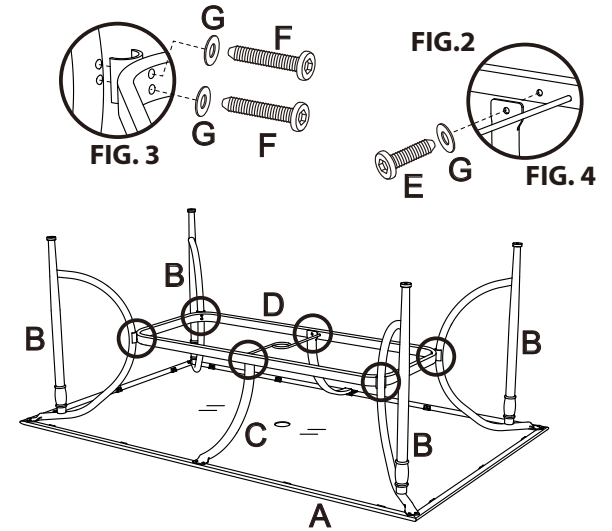
S47A177












STEP 1



STEP 2



PARTS LIST

NO.	DESCRIPTION	QTY
A		1
B		4
C		2
D		1
E	 1/4"x16mm	14
F	 1/4"x25mm	8
G		22
H		1
I		1

STEP 3

