

Steel Patio Dining Set



Assembly Instructions

Made in China

The owner's manual contains important safety information as well as assembly, use and maintenance instructions. Keep the packaging and bags away from children and dispose of all packaging properly before use. Keep this manual for future reference.



**PLEASE DO NOT
RETURN THIS
PRODUCT
TO THE STORE**

We will be happy to correct any problems that you may have, or answer any of your questions regarding the purchase of this product. Please contact us at our Toll Free customer service number 1-800-599-8898 for any assistance and replacement parts. Thank You.

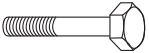
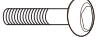
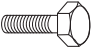
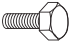



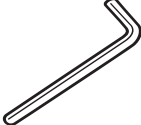

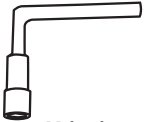
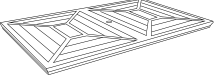
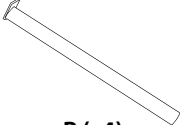

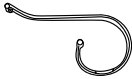





Dist. by TDC USA, Inc. Fairfield, NJ 07004
©2021 All Rights Reserved.
Made in China
Item 22588
www.tdcusainc.com

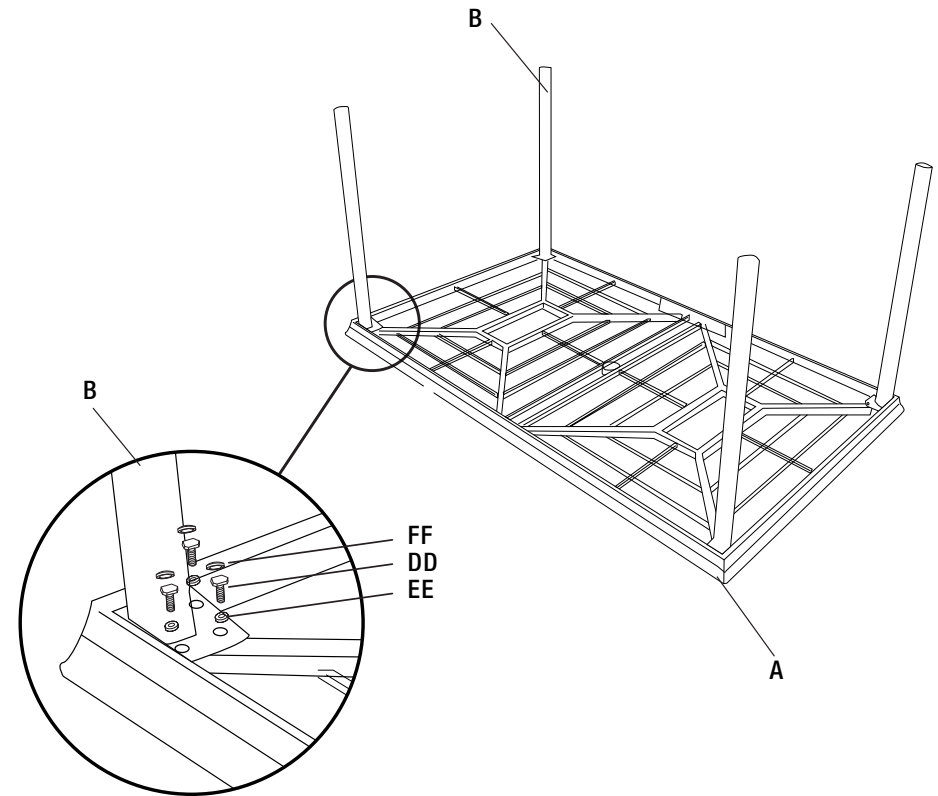
 **WARNING!**

- Keep all children and pets away from assembly area. Children and pets should be supervised when they are in the area of the product construction.
- Some parts may contain sharp edges. When assembling and using this product, basic safety precautions should always be.
- Please read all the instructions and warnings before assembling. In order to make the whole product adjust to the best, please install all the screws on the product and tighten all the screws after adjusting the product which can stand on the floor even. Not intended for commercial use.
- Check all bolts for tightness before use.
- **IMPORTANT** - check and tighten bolts often to keep them secure



- **CHOKING HAZARD** - Small parts. Not suitable for children under 36 months. The product contains small parts, keep children away when assembling.
- **ADULT ASSEMBLY REQUIRED.**
Always remove protective material and poly bags and dispose before assembly.

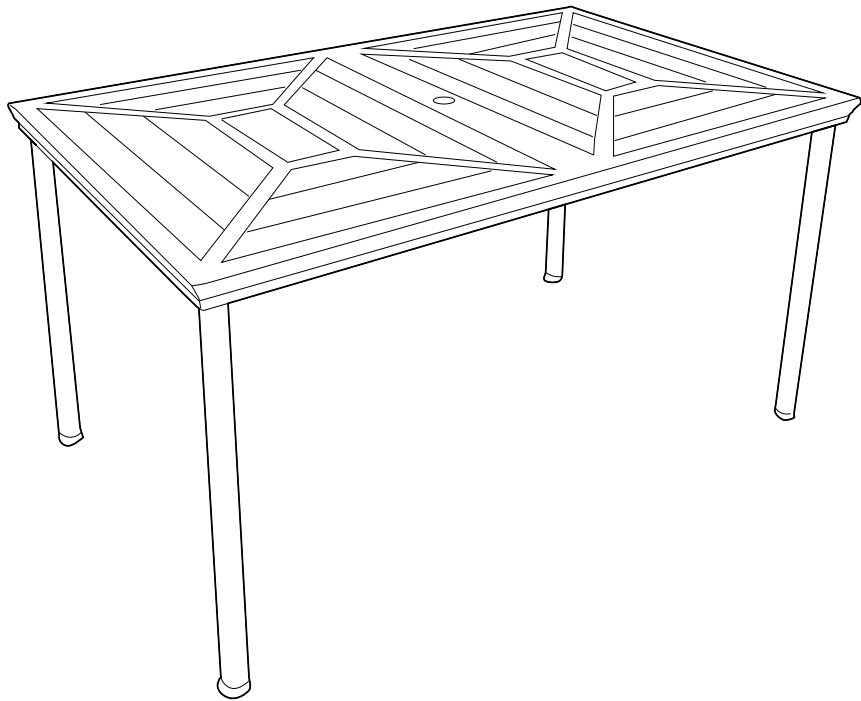
 AA (x24) M6x35 Bolt	 BB (x12) M6x25 Bolt	 CC (x8) M6x20 Bolt
 DD (x12) M6x15 Bolt	 EE (x56) Washer	 FF (x44) M6 Bolt Cap
 GG (x12) M6 Bolt Cap	 HH (x2) Hex Key	 II (x2) Wrench
 JJ (x1) Socket Wrench	 A (x1) Table Top	 B (x4) Table Legs
 C1 (x6) Armrest	 C2 (x6) Armrest	 D (x4) Seat Frame
 E (x6) Seat Cushion	 F (x2) Seat Frame	 G (x2) Swivel  H (x2) Base



Step 1:

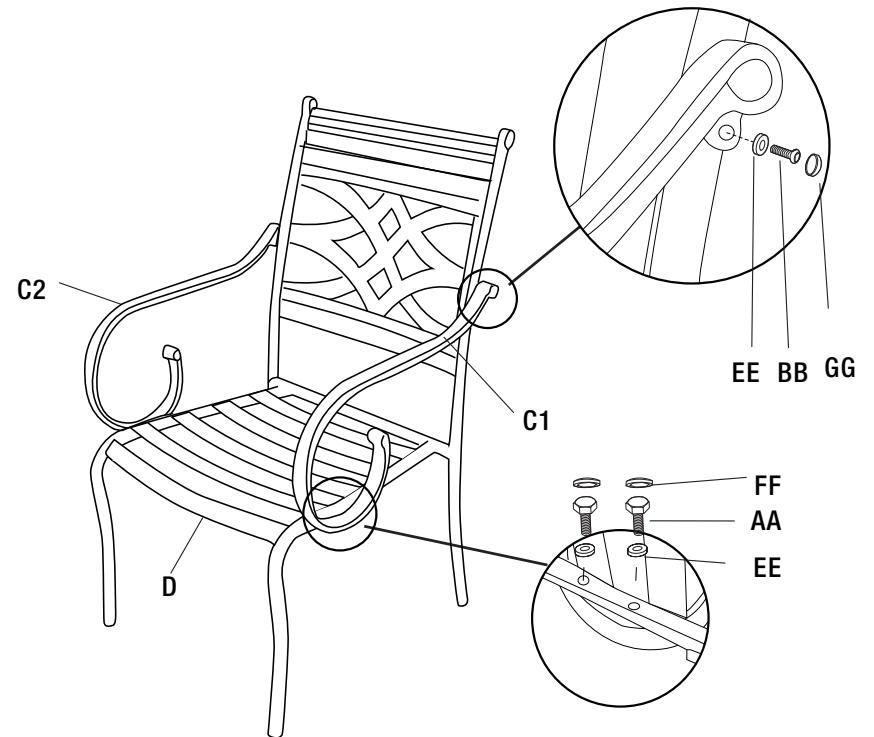
Set the Table Top (A) on a soft, non-abrasive surface.

Insert three M6x15 Bolts (DD) with Washers (EE) through the eyelets found at the top of a Table Leg (B) and into the bolt-threading found at the corner of the Table Top (A). Use Socket Wrench (JJ) to tighten bolts and secure Leg (B) to the frame of Table Top (A). Follow these steps to secure the remaining three Table Legs (B) to each corner of Table Top (A). Place a Bolt Caps (FF) over the head of each bolt used to secure the legs in place.



Step 2:

Turn the table right-side up and the table is now ready to be used.



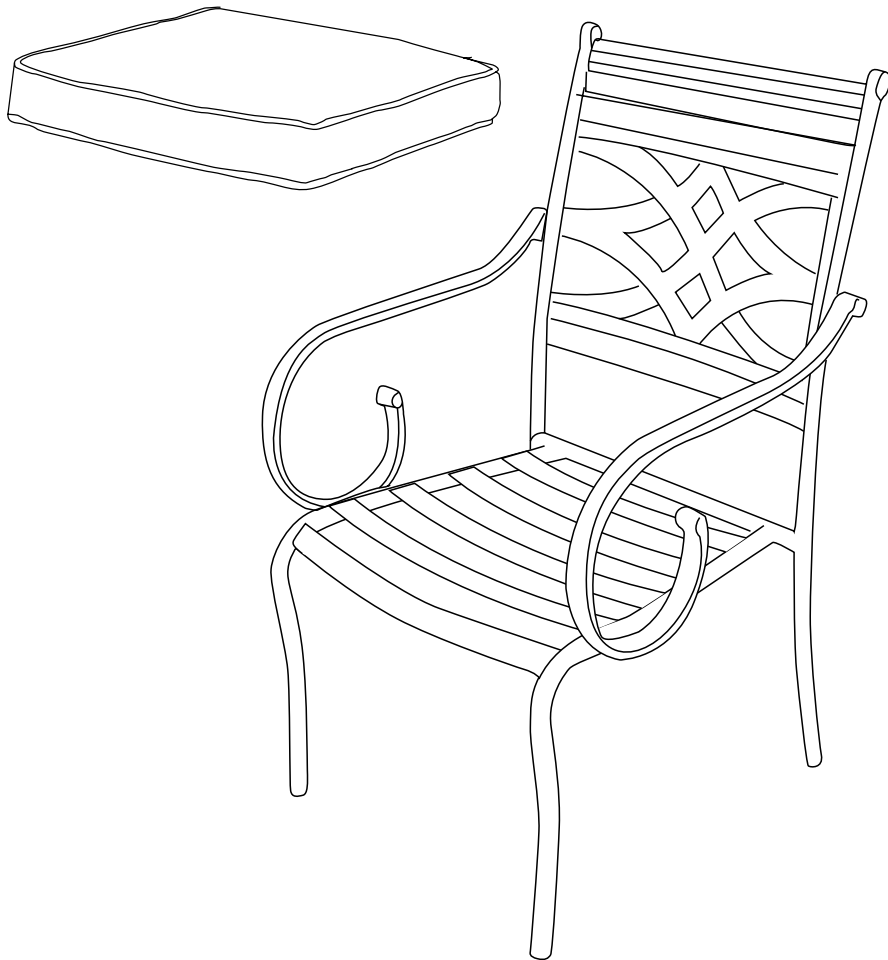
Step 1:

Set the Seat Frame (D) on the ground as illustrated here.

Insert one M6x25 Bolt (BB) with Washer (EE) through the back bracket found on Armrest (C1) and into the bolt-threading found on the left-side of the seat back of Seat Frame (D). **Do not tighten this bolt down until remaining bolts are in place, see next step.**

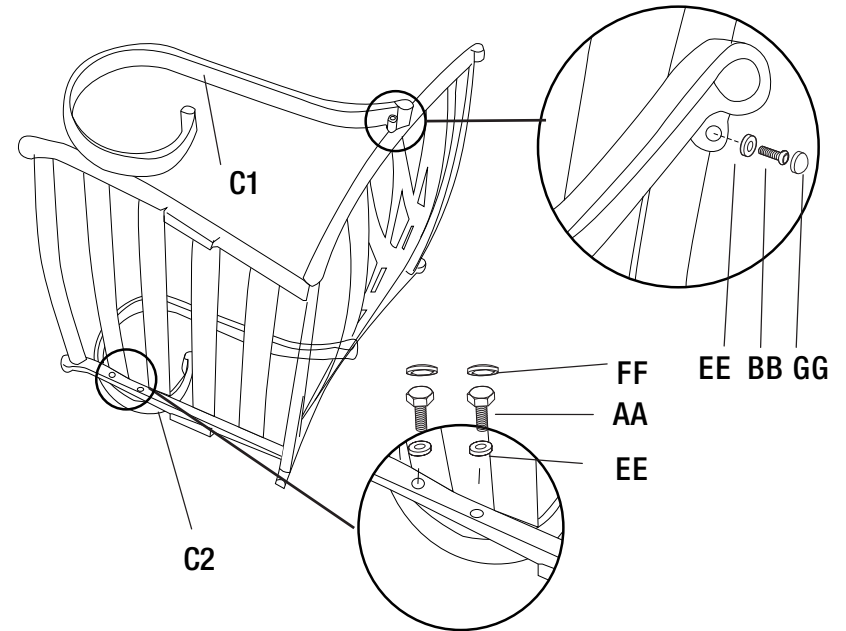
Insert two M6x35 Bolts (AA) with Washers (EE) through eyelets found underneath the left-side of the seat of Seat Frame (D) and into the bolt-threading found at the inside-front of Armrest (C1).

Tighten the two M6x35 Bolts (AA) using Wrench (II). Tighten M6x25 Bolt (BB) using Hex Key (HH). Place M6 Bolt Caps (FF) over the head of each M6x35 Bolts (AA) and M6 Bolt Caps (GG) over the head of each M6x25 Bolt (BB) used to secure the armrest in place. Follow these instructions to assemble Armrest (C2) to the right-side of Seat Frame (D). Follow these steps to assemble both armrests to the remaining chairs.



Step 2 :

Place Seat Cushion (E) onto the seat of Seat Frame (D) and the chair is ready to be used.



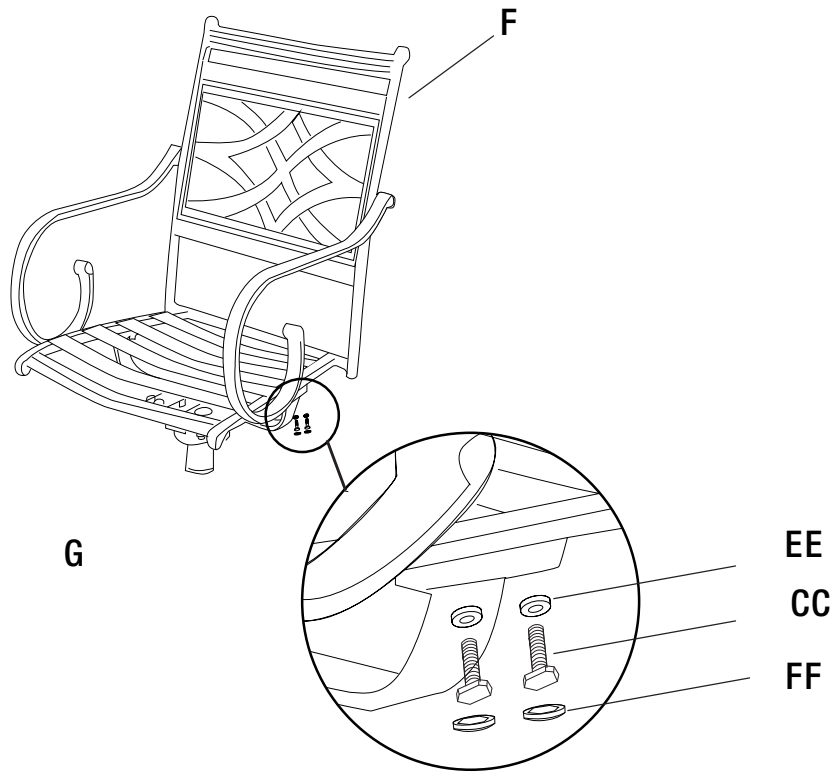
Step 1:

Set the Seat Frame (F) on a soft, non-abrasive surface.

Insert one M6x25 Bolt (BB) with Washer (EE) through the back bracket found on Armrest (C1) and into the bolt-threading found on the left-side of the seat back of Seat Frame (F). **Do not tighten this bolt down until remaining bolts are in place, see next step.**

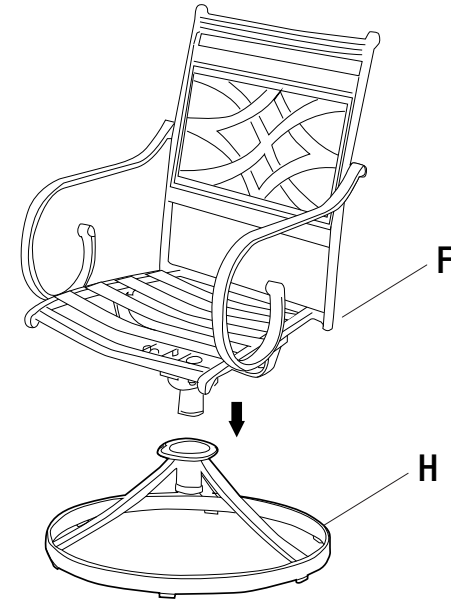
Insert two M6x35 Bolts (AA) with Washers (EE) through eyelets found underneath the left-side of the seat of Seat Frame (F) and into the bolt-threading found at the inside-front of Armrest (C1).

Tighten the two M6x35 Bolts (AA) using Wrench (II). Tighten M6x25 Bolt (BB) using Hex Key (HH). Place M6 Bolt Caps (FF) over the head of each M6x35 Bolts (AA) and M6 Bolt Caps (GG) over the head of each M6x25 Bolt (BB) used to secure the armrest in place. Follow these instructions to assemble Armrest (C2) to the right-side of Seat Frame (F). Follow these steps to assemble both armrests to the remaining swivel chair.



Step 2 :

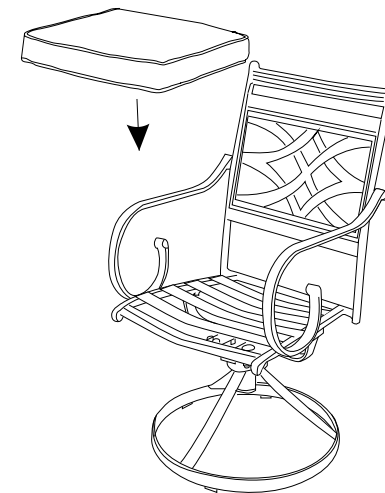
Insert two M6x20 Bolts (CC) with Washers (EE) through one end of Swivel (G) and into the bolt-threading found underneath the seat, on the left-side of Seat Frame (F). **Do not tighten these bolts down until remaining bolts are in place on opposite side.** Insert two M6x20 Bolts (CC) with Washers (EE) through opposite end of Swivel (G) and into the bolt-threading found underneath the seat, on the right-side of Seat Frame (F). Tighten all M6x20 Bolts (CC) left using Wrench (II). Place Bolt Caps (FF) over the head of each bolt used to secure the swivel in place.



Step 3:

Set the Base (H) on the ground as illustrated here.

Align the stem of the Swivel (G) with the center of Base (H). Push down slowly to lock the previously assembled swivel chair and the base together.



Step 4 :

Place Seat Cushion (E) onto the seat of Seat Frame (F) and the chair is ready to be used.

Steel Patio Dining Set

Dist. by TDC USA, Inc. Fairfield, NJ 07004
©2021 All Rights Reserved. Made in China.

Item #22588

Questions and Comments
1-800-599-8898 (9 am - 5 pm EST)
www.tdcusainc.com