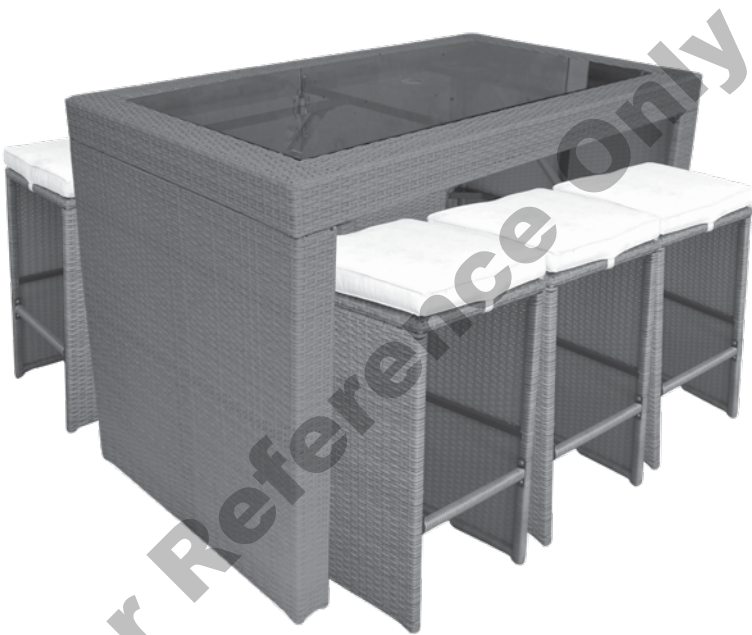


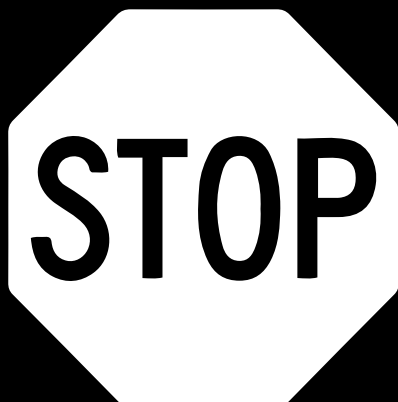
7 Piece Wicker Bar Set



Assembly Instructions

Made in Vietnam

The owner's manual contains important safety information as well as assembly, use and maintenance instructions. Keep the packaging and bags away from children and dispose of all packaging properly before use. Keep this manual for future reference.



**PLEASE DO NOT
RETURN THIS
PRODUCT
TO THE STORE**

We will be happy to correct any problems that you may have, or answer any of your questions regarding the purchase of this product. Please contact us at our Toll Free customer service number 1-800-599-8898 for any assistance and replacement parts. Thank You.

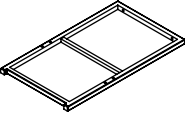
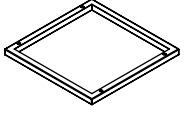
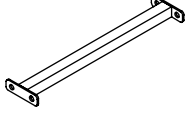

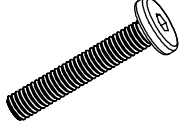
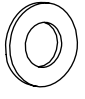

Dist. by TDC USA, Inc. Fairfield, NJ 07004
©2023 All Rights Reserved.
Made in Vietnam
Item 22475
www.tdcusainc.com

⚠ WARNING!


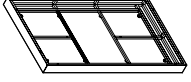
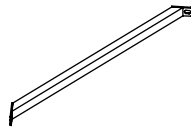
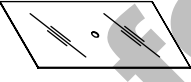

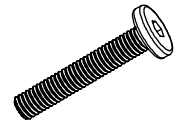


- Keep all children and pets away from assembly area. Children and pets should be supervised when they are in the area of the product construction.
- Some parts may contain sharp edges. When assembling and using this product, basic safety precautions should always be.
- Please read all the instructions and warnings before assembling. In order to make the whole product adjust to the best, please install all the screws on the product and tighten all the screws after adjusting the product which can stand on the floor even. Not intended for commercial use.
- Check all bolts for tightness before use.
- **IMPORTANT** - check and tighten bolts often to keep them secure

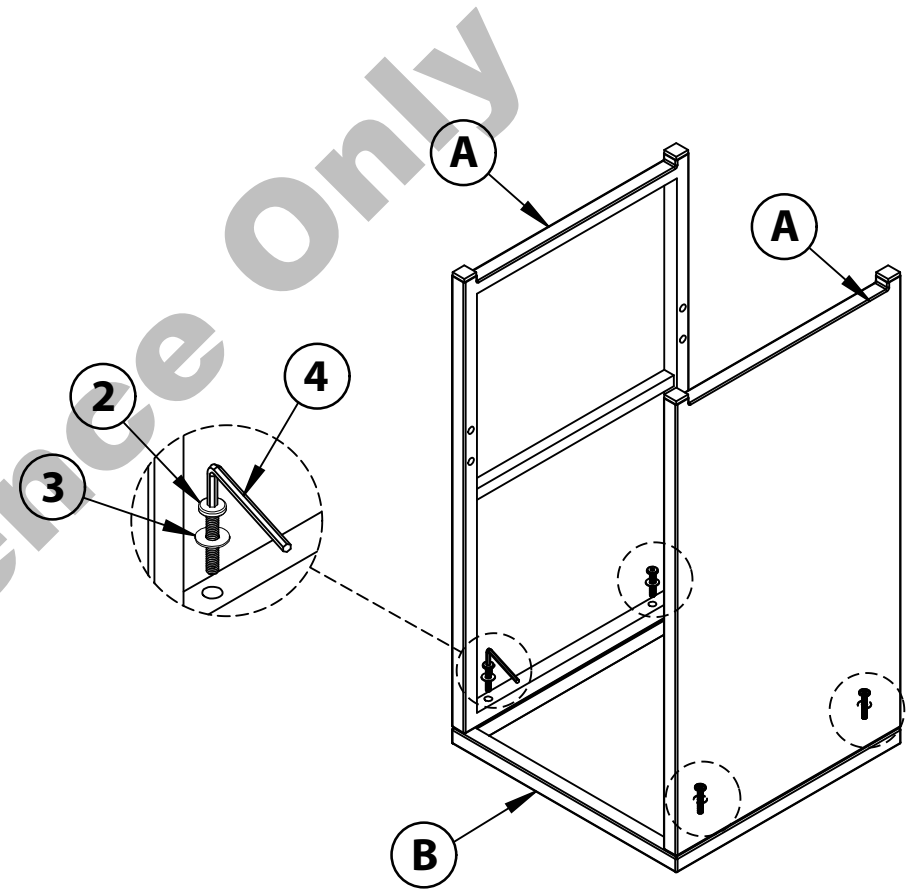
• **CHOKING HAZARD** - Small parts. Not suitable for children under 36 months. The product contains small parts, keep children away when assembling.

• **ADULT ASSEMBLY REQUIRED.**
Always remove protective material and poly bags and dispose before assembly.

Stool Parts (x6)			
 A (x12) Stool Leg	 B (x6) Stool Seat	 C (x12) Stool Support	 1 (x48) M6x15 Bolt
 2 (x24) M6x35 Bolt	 3 (x72) Washer	 4 Hex Key	

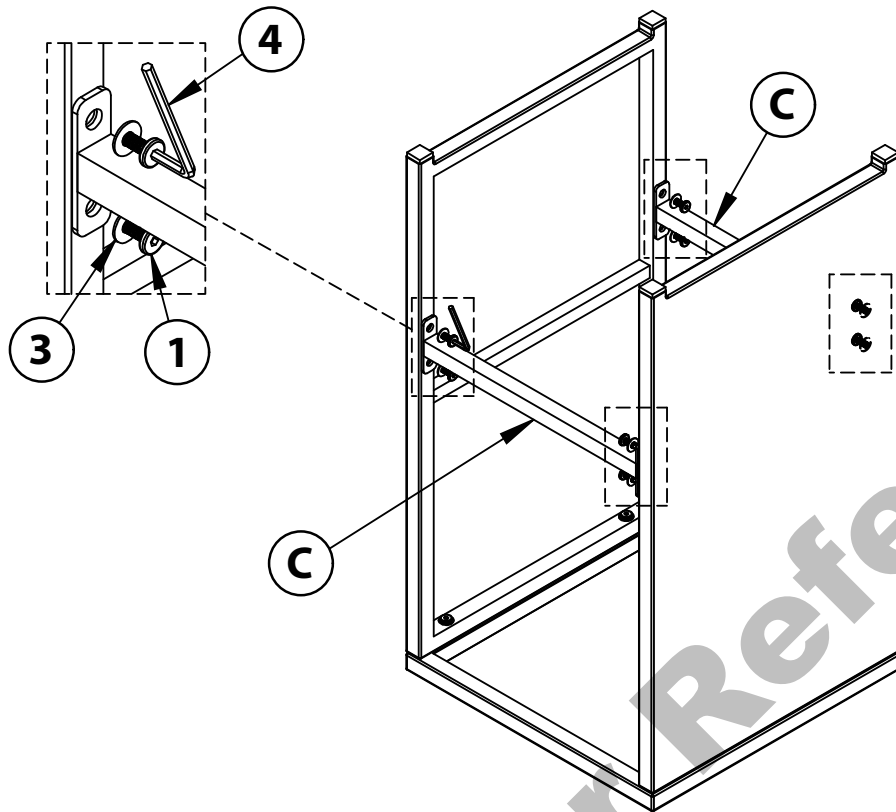
* 6 Stools are included in this set

Bar Table Parts (x1)			
 D (x2) Bar Leg	 E (x1) Bar Rim	 F (x2) Bar Support	 G (x1) Glass
 1 (x8) M6x15 Bolt	 2 (x4) M6x35 Bolt	 3 (x12) Washer	 4 Hex Key



Step 1:

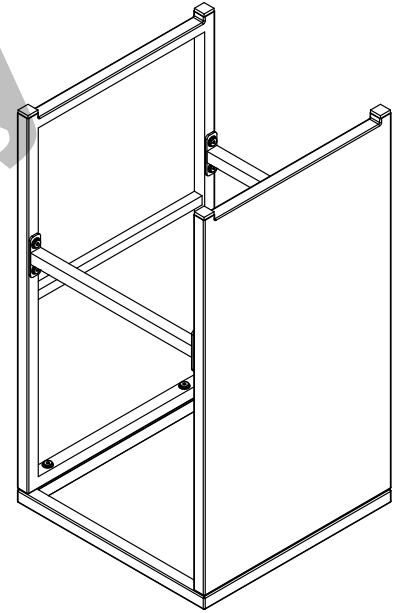
Place Stool Seat (A) upside down on the ground. Place Stool Leg (B) on the side of Stool Seat (A) where there are bolt-threading intended for bolts to be inserted into. Insert two M6x30 Bolts (2) with Washers (3) through eyelets of Stool Leg (B) and into the bolt-threading of Stool Seat (A). Follow this step to assemble the second Stool Leg (B) on the opposite side of Stool Seat (A). **Do not tighten bolts all the way until assembly is completed.**



Step 2:

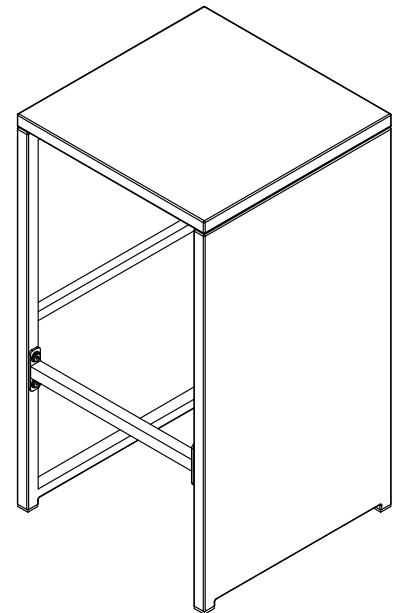
Place Stool Support (C) in between both Stool Legs (B). Insert two M6x15 Bolts (1) with Washers (3) through eyelets at either end of Stool Support (C) and into the bolt-threading found near the center of Stool Legs (B). Follow these steps to assemble the second Stool Support (C) on the opposite side of Stool Legs (B).

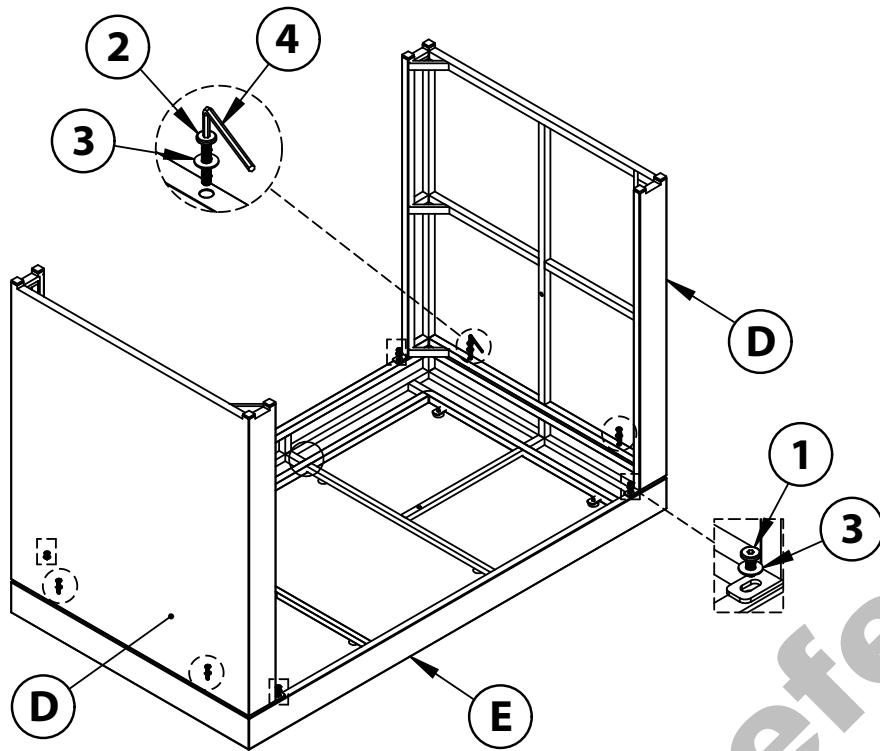
Step 3:
Tighten all bolts left loose throughout assembly process.



Step 4:

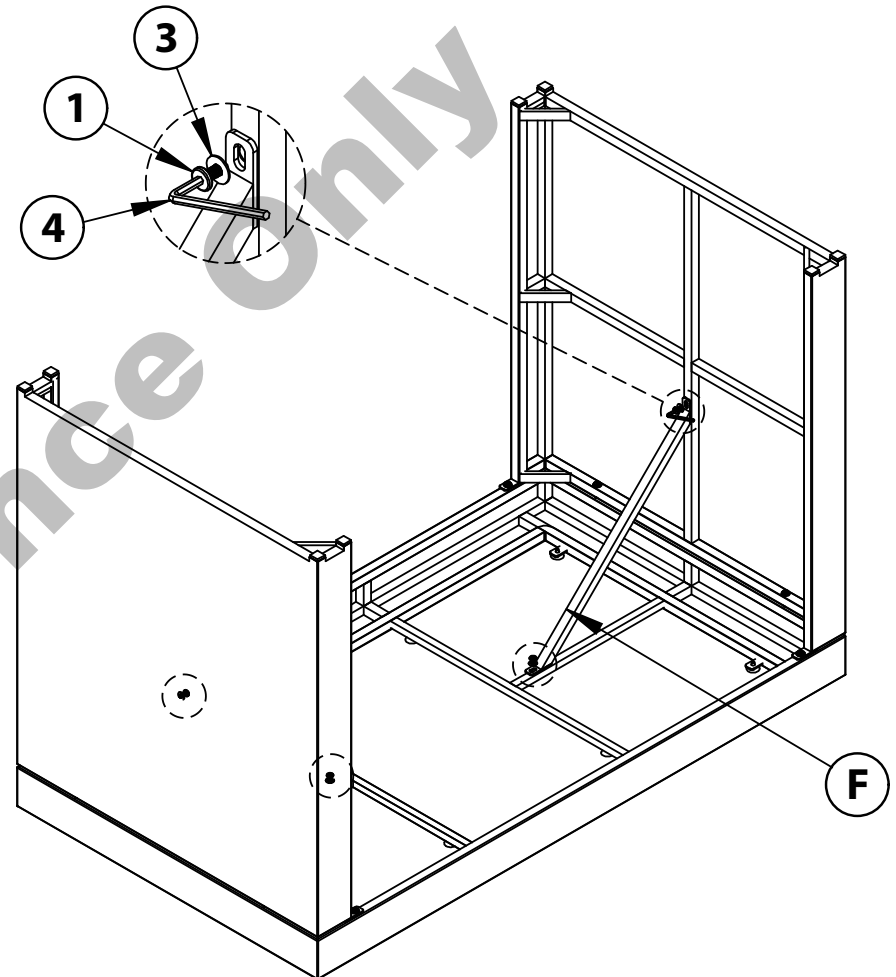
Turn the stool right-side up when finished, and place a seat cushion on top. Follow these steps to assemble the five remaining stools. When finished, your stools are now ready to use.





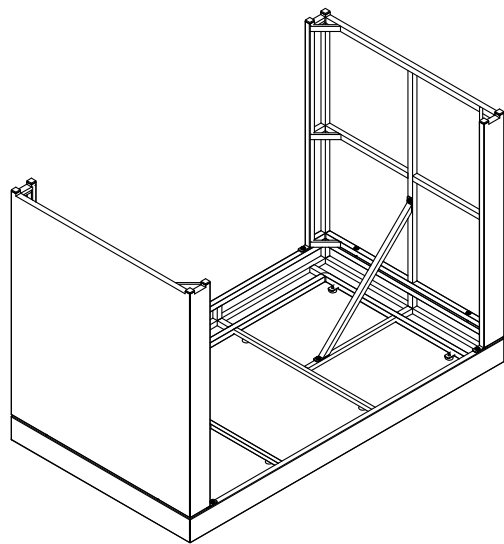
Step 1:

Cut the straps that secure the Glass (G) to the bar rim. Carefully remove Glass (G) by having one person on either end. Carefully set it aside once removed. Carefully place Bar Rim (E) upside down on the ground. Place Bar Leg (D) on the side of Bar Rim (E) where there are bolt-threading intended for bolts to be inserted into. Insert two M6x30 Bolts (1) with Washers (3) through eyelets found at the center of Bar Leg (D) and into the bolt-threading found at end of rim of Bar Rim (E). **Do not tighten bolts all the way until assembly is completed.** Insert two M6x15 Bolts (1) with Washers (3) through eyelets found on either side of Bar Leg (D) and into the bolt-threading found on the sides of rim of Bar Rim (E). Follow these steps to assemble the second Bar Leg (D) on the opposite side of Bar Rim (E).



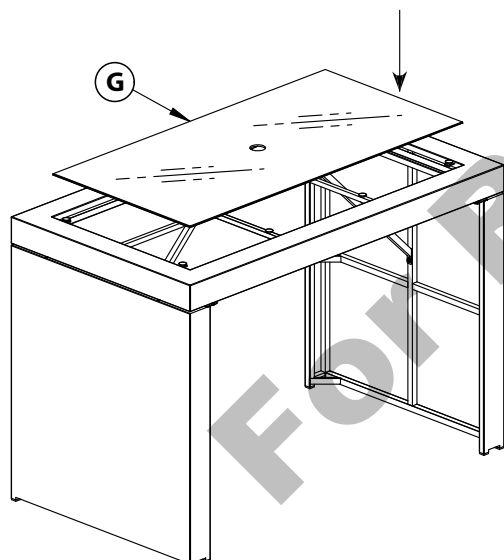
Step 2:

Place Bar Support (F) against the center of Bar Leg (D) and the bar supporting the glass of Bar Rim (E) as illustrated here. Insert two M6x15 Bolts (1) with Washers (3) through eyelets at the end of Bar Support (F) and into the bolt-threading found at the center of Bar Leg (D). Insert two M6x15 Bolts (1) with Washers (3) through eyelets at opposite end of Bar Support (F) and into the bolt-threading found on bar that supports glass of Bar Rim (E). Follow these steps to assemble the second Bar Support (F) to the other Bar Leg (D) and to the Bar Rim (E).



Step 3:

Tighten all bolts left loose throughout assembly process.



Step 4:

Carefully turn the bar right-side up when finished. Using two people, carefully place the Glass (G) back in place inside of the Bar Rim (E).

LIMITED WARRANTY

Please contact our service hotline by phone, email, or fax when needing assistance with assembly or with faulty parts. This allows us to provide support in the event of possible operator errors.

All furniture manufactured and sold by TDC USA, Inc. is warranted to the original purchaser against defects in workmanship and materials. If a product manufactured by TDC fails during the first year from date of purchase under the terms of our limited warranty, TDC will replace the item at no charge. After one year, it will be the original purchaser's responsibility to pay for freight and packing. TDC reserves the right, in the case of discontinued or out of production models, to replace with an item of similar quality. (Glass breakage is not warranted.)

NOTE: You must retain original receipt to obtain warranty!

FRAMES:

Frames are warranted against defects in materials and workmanship from the date of original purchase. Damage to frames or welds due to commercial use, improper assembly, exposure to water and sub-freezing temperatures, and/or abuse are not covered.

FABRIC:

Fabric on cushions, slings, and umbrellas is warranted against separation at the seams. Fading, mildew, and/or discoloration due to exposure to elements, chemicals, and spills are not covered.

POWDER COAT AND/OR PAINT:

The finish is warranted against blistering, peeling, or cracking. Fading resulting from exposure to the elements, chemicals, and spills are not covered. Scratches and chips due to normal wear and use are not covered.

FREIGHT & PACKING:

TDC will be responsible for shipping, handling, and packaging charges for all valid warranty claims.

CARE & MAINTENANCE:

Be careful to never allow water build up in frames as this will cause corrosion and freeze damage in cold climates. Wash all frames with a solution of mild soap and water. Rinse with clean water and dry with a soft absorbent cloth towel. Frames can be treated with a liquid wax for maximum protection against UV rays and/or salty damp air. If your set includes cushions, slings, and/or an umbrella, they may be cleaned by hand with a solution of soap and water with a clean water rinse.

LIMITED WARRANTY EXCLUSIONS:

- Damage caused by acts of nature
- Wind damage
- Failure caused by unreasonable, unanticipated, or abusive use
- Failure caused by a lack of reasonable and necessary care and maintenance
- Normal fade of fabrics, upholstery, or woven materials
- Glass table tops
- Bursting or cracking of tubing due to exposure to water and freezing temperatures
- Changes in wood color due to the natural aging of the wood

***A sales receipt must be provided to validate
1-Year Limited Warranty.***

Customer Service:

Monday - Friday • 9:00 am - 5:00 pm

Phone: 800-599-8898

Email: support@tdcusainc.com

**TDC USA, Inc.
5 Industrial Rd, STE 1
Fairfield, NJ 07004-3017**

7 Piece Wicker Bar Set

Dist. by TDC USA, Inc. Fairfield, NJ 07004
©2023 All Rights Reserved. Made in Vietnam.
Item #22475

Questions and Comments
1-800-599-8898 (9 am - 5 pm EST)
www.tdcusainc.com