

# 6 Piece Sling Patio Set

*with Folding Chairs*



## Assembly Instructions

**Made in China**

The owner's manual contains important safety information as well as assembly, use and maintenance instructions. Keep the packaging and bags away from children and dispose of all packaging properly before use. Keep this manual for future reference.





**PLEASE DO NOT  
RETURN THIS  
PRODUCT  
TO THE STORE**

**We will be happy to correct any problems that you may have, or answer any of your questions regarding the purchase of this product. Please contact us at our Toll Free customer service number 1-800-599-8898 for any assistance and replacement parts. Thank You.**

Dist. by TDC USA, Inc. Fairfield, NJ 07004

©2020 All Rights Reserved.

Made in China

Item 20560 / 20574

[www.tdcusainc.com](http://www.tdcusainc.com)

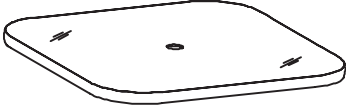
**WARNING!**

- **Keep all children and pets away from assembly area. Children and pets should be supervised when they are in the area of the product construction.**
- **Some parts may contain sharp edges. When assembling and using this product, basic safety precautions should always be.**
- **Please read all the instructions and warnings before assembling. In order to make the whole product adjust to the best, please install all the screws on the product and tighten all the screws after adjusting the product which can stand on the floor even. Not intended for commercial use.**
- **Check all bolts for tightness before use.**
- **IMPORTANT - check and tighten bolts often to keep them secure**

• **CHOKING HAZARD** - Small parts. Not suitable for children under 36 months. The product contains small parts, keep children away when assembling.

• **ADULT ASSEMBLY REQUIRED.**

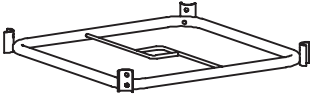
Always remove protective material and poly bags and dispose before assembly.



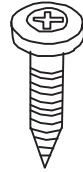
**A** (x1)  
Table



**B** (x4)  
Leg



**C** (x1)  
Leg Support



**D** (x4)  
M4x12 Screw



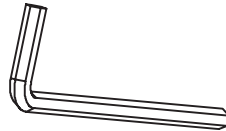
**E** (x4)  
M6x52 Bolt



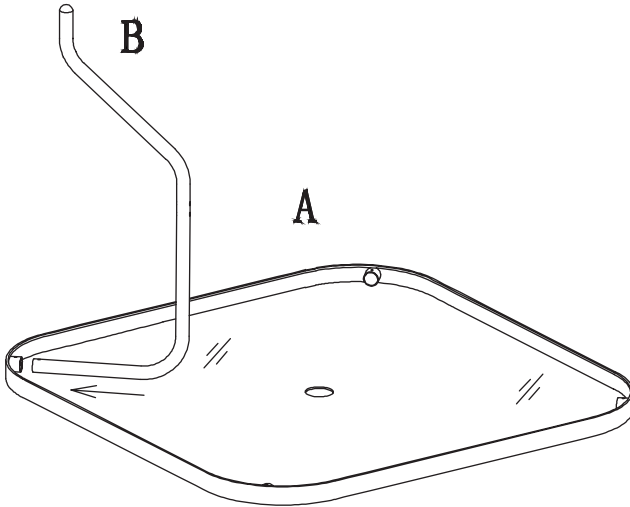
**F** (x4)  
M6x35 Bolt



**G** (x8)  
Nut

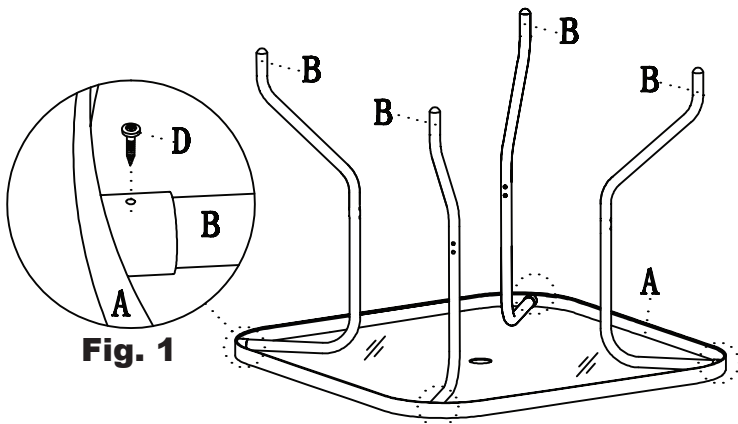


**H** (x1)  
Hex Key



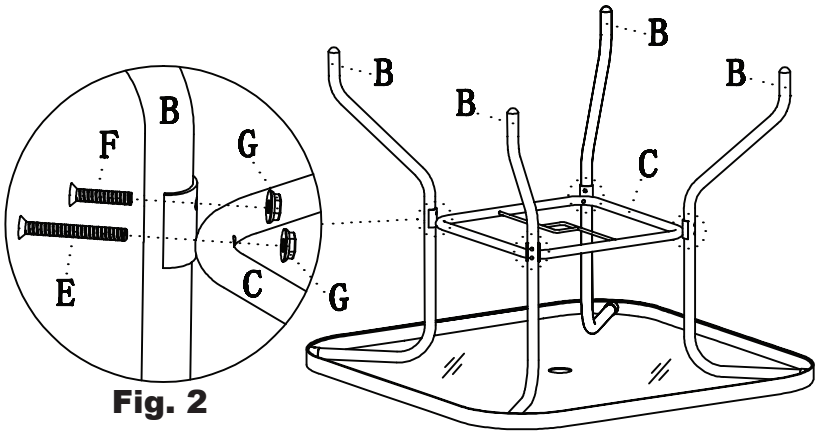
### Step 1:

Carefully lay Table (A) upside down on the ground; be mindful of the glass when setting it down. Insert end of Leg (B) into the plastic-insert inside of rim of Table (A). Follow this step to place the remaining Legs (B) at each corner of Table (A).



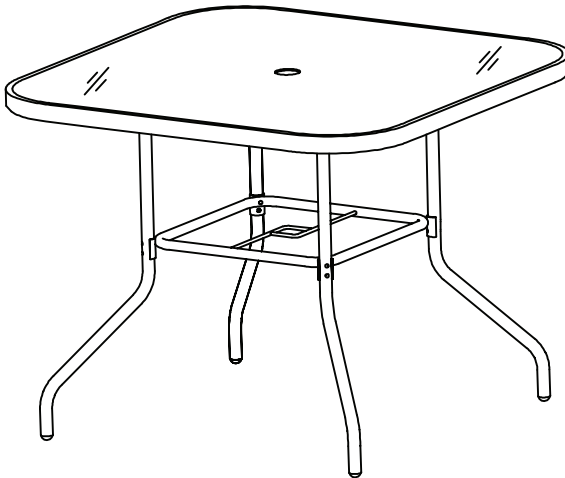
### Step 2:

Insert Screws (D) through these plastic-inserts and into the Legs (B); see Figure 1. It is recommended to not tighten screws and bolts completely until all parts have been assembled.



### Step 3:

Place Leg Support (C) in between the four previously assembled Legs (B); see Figure 2. Insert one Bolt M6x52 (E) through a Leg (B) and through the bracket and the ring of Leg Support (C). Use a Nut (G) to hold these parts together; do not tightened down all the way. Insert one Bolt M6x35 (F) in the adjacent screw hole so that this bolt goes through the Leg (B) and only the bracket of Leg Support (C). Use a Nut (G) to hold these parts together. Follow these steps to assemble the remaining Legs (B) to Leg Support (C).



### Step 4:

Tighten all screws and bolts left loose throughout the assembly process. Carefully turn the table right-side up.

# 6 Piece Sling Patio Set

*with Folding Chairs*

Dist. by TDC USA, Inc. Fairfield, NJ 07004  
©2020 All Rights Reserved. Made in China.  
Item #20560 / 20574

**Questions and Comments**  
**1-800-599-8898 (9 am - 5 pm EST)**  
**[www.tdcusainc.com](http://www.tdcusainc.com)**