

BATTERY POWERED RIDE-ON

MINI QUAD



Owner's Manual with Assembly Instructions

Made in China.

The owner's manual contains important safety information as well as assembly, use and maintenance instructions. The Ride-on must be assembled by an adult who has read and understands the instructions in this manual. Keep the packaging and bags away from children and dispose of all packaging properly before use. Keep this manual for future reference.



**PLEASE DO NOT
RETURN THIS
PRODUCT
TO THE STORE**

We will be happy to correct any problems that you may have, or answer any of your questions regarding the purchase of this product. Please contact us at our Toll Free customer service number 1-800-599-8898 for any assistance and replacement parts.

Please keep your sales receipt which may be request when seeking assistance.

Thank You.

Dist. by TDC USA, Inc. Fairfield, NJ 07004

©2021 All Rights Reserved.

Made in China.

Item 60951

www.tdcusainc.com

ON THE PURCHASE OF YOUR NEW RIDE-ON.

This ride-on car will provide your child with many miles of riding enjoyment. To help assure you and your rider a safe ride we ask you to please read this manual carefully, and keep it for future reference.

Follow the recommendations in this manual that are designed to improve the safety and operation of your ride-on car and its rider.

1 YEAR LIMITED WARRANTY

SIX MONTH LIMITED WARRANTY ON BATTERY

6-months warranty applies only to the 6-volt battery which is included by TDC USA Inc. with the vehicle when it was originally purchased. This warranty covers normal use and does not cover the vehicle or battery if damaged by unreasonable use, neglect, abuse, accident, misuse, improper service or other causes not arising out defects in material or workmanship. Evidence of any attempt at consumer repair will void this warranty.

Conditions of warranty:

The user assumes all risk of personal injuries, damage to, or failure of the Vehicle and any other losses if the Vehicle is altered in any way or if the Vehicle is used for stunt riding, ramp jumping, aerobatics or similar activities, or is towed by another person or vehicle.

This warranty does not cover ordinary wear and tear, damage caused by improper storage of Vehicle, shipping damage, damage caused either accidentally or deliberately by you or another, and damage caused as a result of using the Vehicle other than for its intended purpose.

Age:	3+ years
Weight Capacity:	Under 66.1 lbs
Speed:	Max 2 mph
Overall Dimensions:	28.3" x 15.7" x 17.9"
Charge Time:	8-12 hours
Battery:	6V4.5AH x 1
Charger:	6V500mA



WARNING!

CHOKING HAZARD - Small parts. Not suitable for children under 36 months. The product contains small parts, keep children away when assembling.

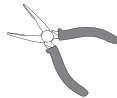
ADULT ASSEMBLY REQUIRED.

- Always remove protective material and poly bags and dispose before assembly.

• Assembly tools required:



Screwdriver
(Not Included)



Pliers
(Not Included)



Spanner
(Included)

SAFETY

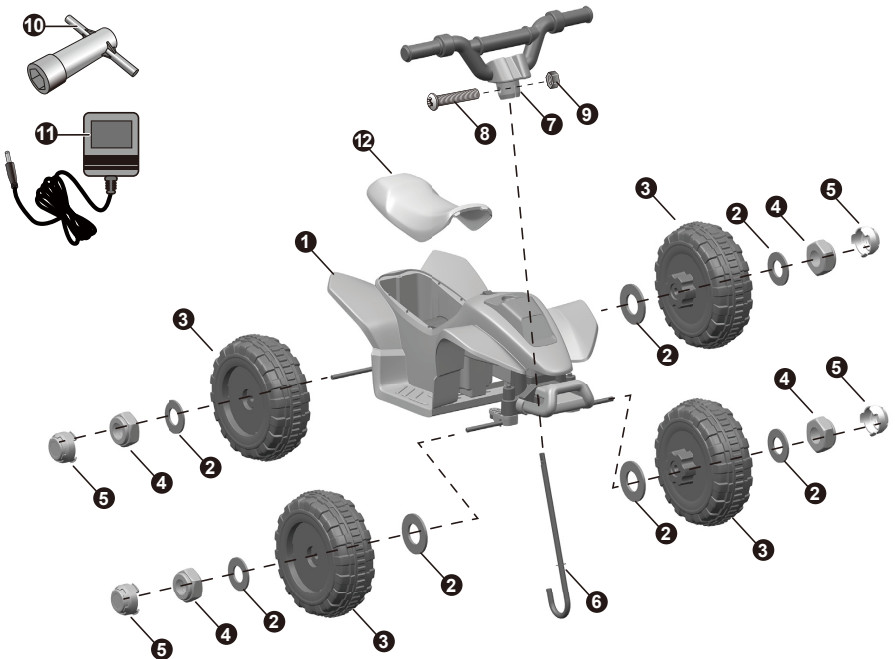


Approximate
Assembly Time:
30 Minutes

THE FOLLOWING SAFETY HAZARDS MAY RESULT IN SERIOUS INJURY OR DEATH:

- This product contains small parts. Keep children away during assembly. Make sure to remove all packaging material and parts from underneath the vehicle body.
- Never open the battery. Batteries contain lead and lead compounds (acids) that are toxic and corrosive, and known to the state of California to cause cancer and reproductive harm.
- Limbs, hair, and clothing can get caught in moving parts. Always wear shoes, keep limbs away from moving parts, and do not wear loose clothing while operating this vehicle.
- This vehicle does not have brakes or braking capability. Do not leave a child unattended during operation. Do not use this in a location that may require braking capability, as this could result in loss of control, which may cause serious injury or death.
- Use of this vehicle in unsafe conditions such as snow, rain, loose dirt, mud, sand, or gravel may result in an unexpected accident such as tipping over, and could damage the electrical system or battery.
- Do not operate this vehicle in an unsafe manner. Examples include but are not limited to:
 - Pulling the vehicle with another vehicle or similar device
 - Allowing more than one rider
 - Pushing the user
 - Traveling at an unsafe speed

PART NO.	PART NAME	QUANTITY (PCS)
1	Vehicle Body	1
2	ø10 Washer	7
3	Wheel	4
4	Lock Nut	4
5	Hubcap	4
6	Steering Column	1
7	Handle Bar	1
8	M5x30 Machine Screw	1
9	ø5 Nut	1
10	Spanner	2
11	Charger	1
12	Seat	1



PREVENT INJURIES AND DEATHS: NEVER LEAVE CHILD UNATTENDED ADULT DIRECT SUPERVISION IS REQUIRED.

- Always keep child in view when child is in vehicle.
- This toy should be used with caution since skill is required to avoid falls or collisions causing injury to the user or third parties.
- Protective equipment should be worn.
- Never use in roadways, near cars, or on near steep inclines or steps, swimming pools or other bodies of water.
- Always wear shoes, always remain seated.
- Not to be used in traffic.
- This toy is unsuitable for children under 36 months due to its maximum speed; maximum user weight is 66lbs.
- This toy has no brake.
- Never allow more than one rider.
- Only use the battery specified by the manufacturer.
- Only use the charger specified by the manufacturer.

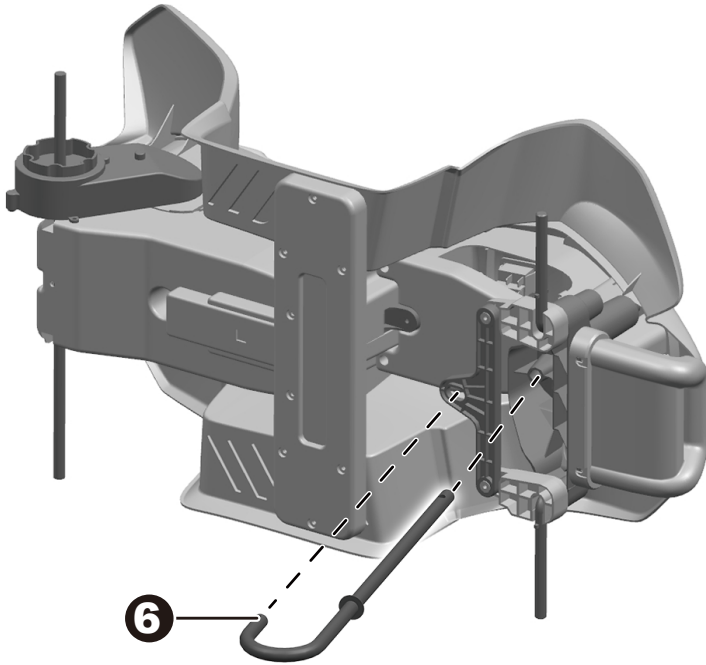


WARNING:

- *CHOKING HAZARD! Not suitable for children under 36 months.*
- *Must be assembled by an adult.*

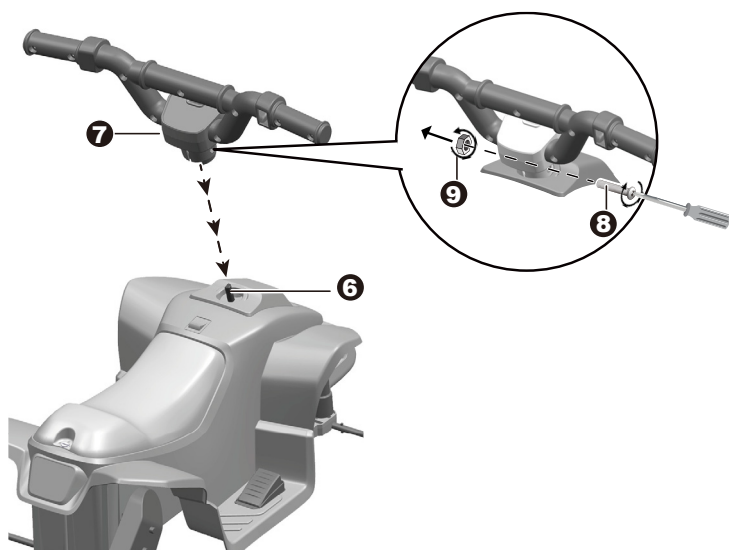
RULES FOR SAFE RIDING

- Keep Children within Safe Riding Areas.
- Never use in roadway, near motor vehicles, on garden, on or near steep inclines or steps, swimming pools or other bodies of water.
- Use the toy only on flat surfaces. Such as inside your house, yard or playground.
- Never use in the dark. A child could encounter unexpected obstacles and have an accident.
- Operate the vehicle only in the daytime or a well-lit area.
- It is prohibited to change the circuit, modify, or add other electric parts.
- Inspect wires and connections of the vehicle periodically.
- Do not let any child touch the wheels or be near them when the car is moving.
- This vehicle has adjustable play seat belts. Please instruct children how to tie the safety belt before using, guarantee their security.



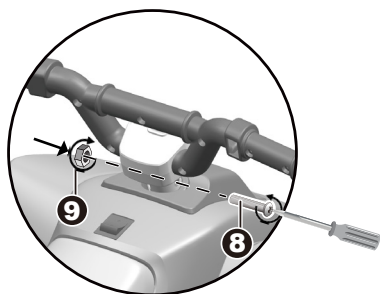
TURN THE VEHICLE BODY ON ITS SIDE.

1. Insert the straight end of the **Steering Column (6)** into the eyelet on the **Vehicle Body (1)** and out through the eyelet on the top of the **Vehicle Body (1)**.
2. Insert the curved end of the **Steering Column (6)** into the eyelet on the front axle housing.

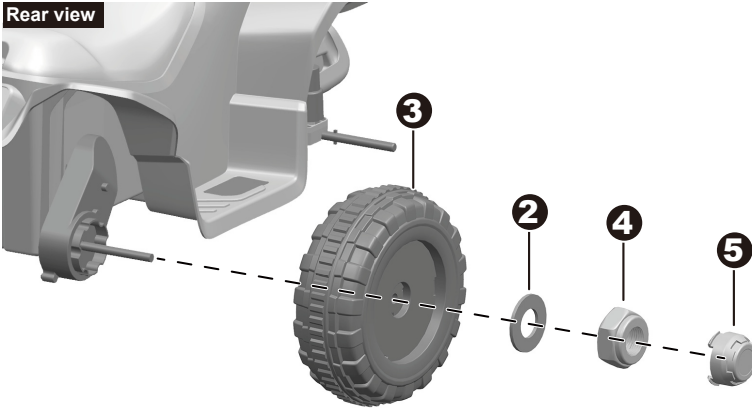


TURN THE VEHICLE OVER.

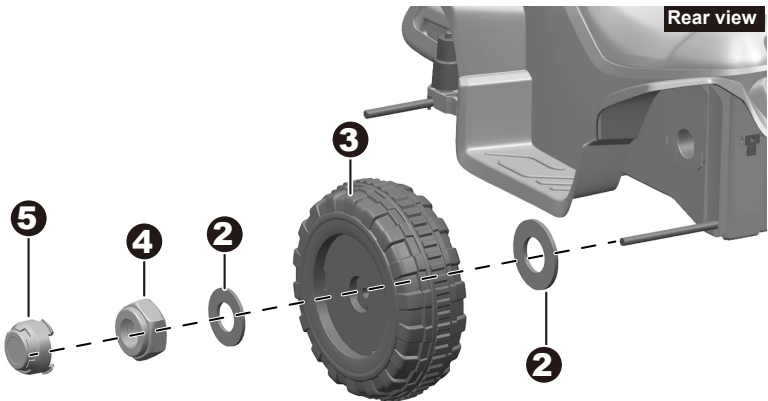
1. **M5x30 Machine Screw (8)** and **Ø5 Nut (9)** are pre-assembled on the **Handle Bar (7)**. Remove **Machine Screw (8)** and **Ø5 Nut (9)** from the **Handle Bar (7)** using a screwdriver (**not included**).
2. Fit the **Handle Bar (7)** onto the end of the **Steering Column (6)**. Line up the eyelets on the steering wheel with the eyelets on the **Steering Column (6)**, insert the **M5x30 Machine Screw (8)**. Fasten a **Ø5 Nut (9)** on the opposite end of the screw. Using a pair of pliers (**not included**) to hold the **Ø5 Nut (9)** while tightening the screw on the other side with a screwdriver.



Rear view

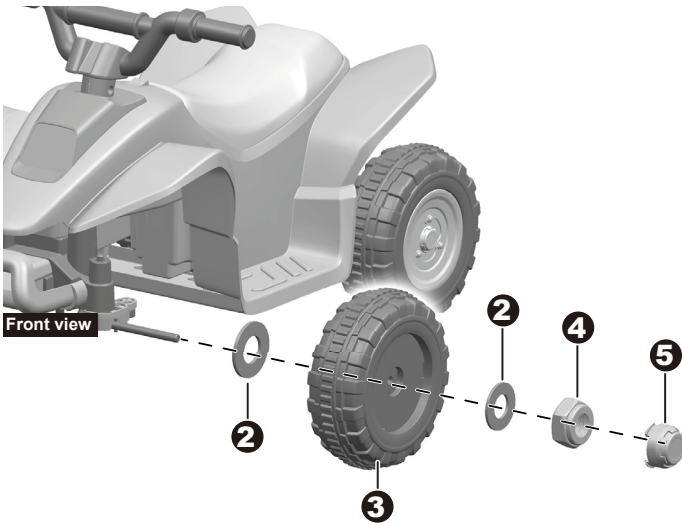


1. Slide a **Wheel (3)** onto the rear axle from the right side
Ensure the **Wheel (3)** lines up with the gear box.
2. Slide a **Ø10 Washer (2)** onto the rear axle.
3. Tighten a **Lock Nut (4)** to the end of the rear axle with a **Spanner (10)**.
4. Insert the tabs on the **Hubcap (5)** into the grooves on the **Wheel (3)**.

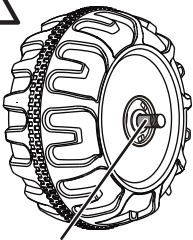


Rear view

5. Slide a **Ø10 Washer (2)** onto the rear axle from the left side.
6. Slide a **Wheel (3)** onto the rear axle.
7. Slide a **Ø10 Washer (2)** onto the rear axle.
8. Tighten a **Lock Nut (4)** to the end of the rear axle with a **Spanner (10)**.
9. Insert the tabs on the **Hubcap (5)** into the grooves on the **Wheel (3)**.

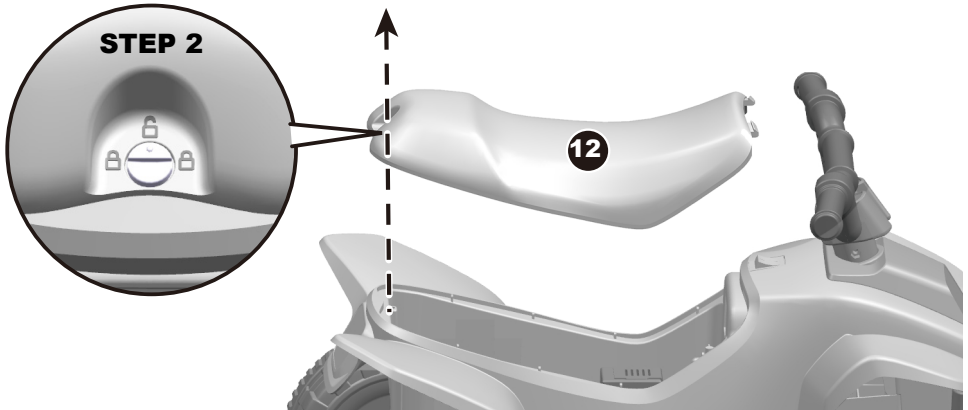
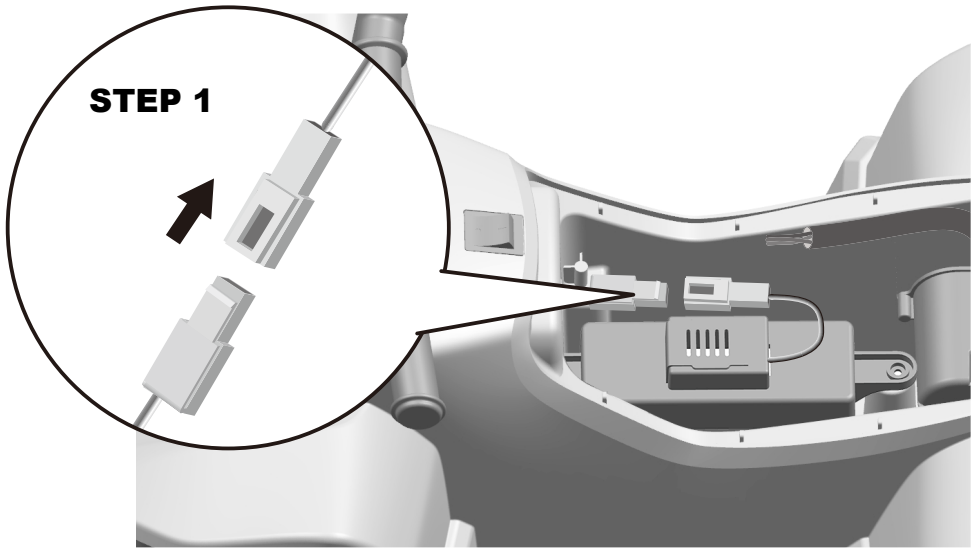


1. Slide a **Ø10 Washer (2)** onto the front axle from the left side.
2. Slide a **Wheel (3)** onto the front axle.
3. Slide a **Ø10 Washer (2)** onto the front axle.
4. Tighten a **Lock Nut (4)** to the end of the front axle with a **Spanner (10)**.
5. Insert the tabs on the **Hubcap (5)** into the grooves on the **Wheel (3)**.
6. Repeat for the other **Front Wheel (3)**.

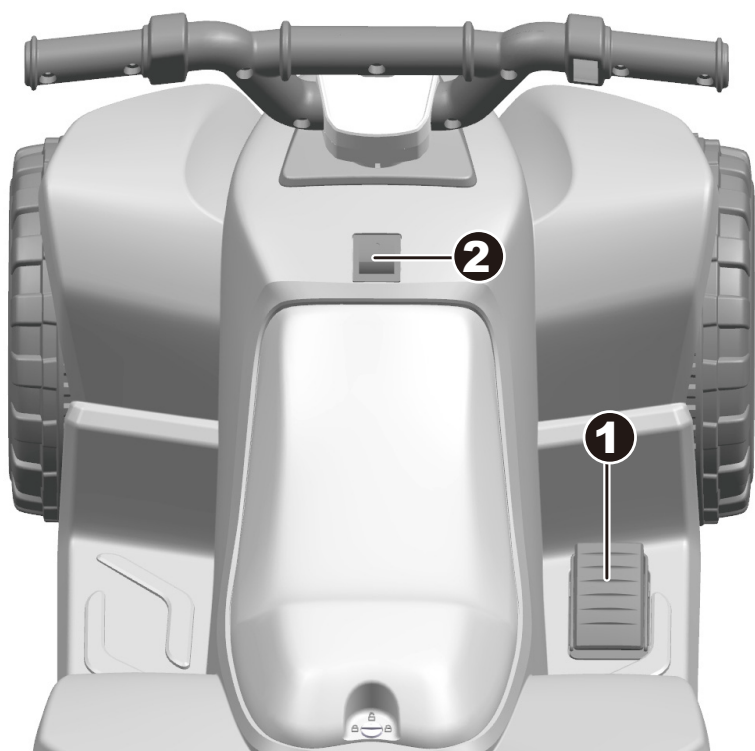


GAP

After assembling any wheel to the axles, please check the gap between the screw thread and the collapsible (refer to illustration here). If the gap is too big, please add two or three washers alongside the wheel. After tightening the locking nut outside the wheel, please turn the wheel by hand to check if the wheel rotates easily. If a locking nut is pressed against a wheel too tightly and the wheel doesn't rotate easily, the motor will stop functioning! Loosen the locking nuts as needed so that wheels rotate easily.



1. Plug the connector within **Vehicle Body (1)** to the connector found on the battery, see Step 1.
2. Using a flathead screwdriver **(not included)** or a coin to turn the locking mechanics found on the **Seat (12)**, insuring the **Seat (12)** is secured to the **Vehicle Body (1)**, see Step 2.



1. FOOT PEDAL :

- To move the product, press the pedal down.
- To stop or slow down, release pressure from the pedal.

2. FORWARD/STOP/REVERSE SWITCH :

- Changes the direction that the product moves from forward to reverse.
- To move the product forward, press the switch to top position.
- To move the vehicle reverse, press the switch to down position.



IMPORTANT:

Always stop vehicle when changing the speed or direction to avoid damage the gears and motor.



WARNING:

ONLY AN ADULT CAN CHARGE AND RECHARGE THE BATTERY!

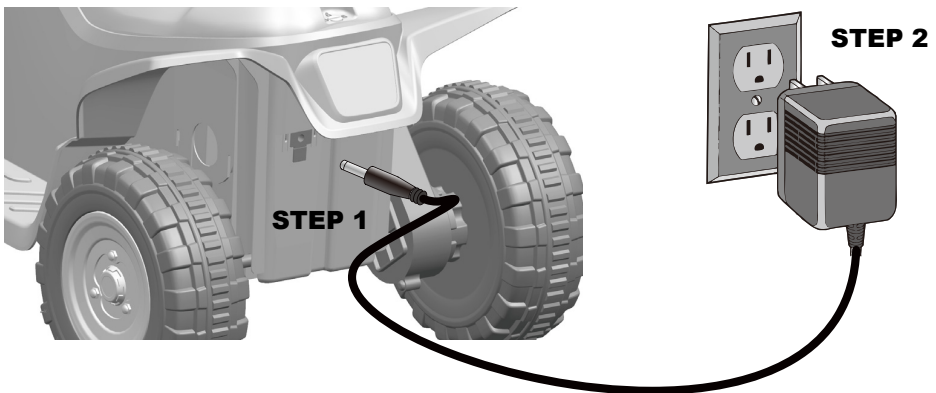


WARNING:

***This product includes Charging Protection:
When charging, all functions will be cut off.
Only an adult can charge and recharge the battery!***

- When the vehicle begins to run slowly, recharge the battery.
- Before the first use, you should charge the battery for 4-6 hours. Do not recharge the battery for more than 10 hours to avoid overheating the charger.
- After each use or once a month, recharge for 8 to 12 hours, less than 20 hours at most.
- Use only the rechargeable battery and charger supplied with your vehicle. NEVER substitute the battery or the charger with another brand. Using another battery or charger may cause a fire or explosion!
- Do not use the battery or charger included with this ride-on with any other product.”

External Charging Type



1. Plug the charger port into the input socket found at the back of vehicle.
2. Plug the charger plug directly into the wall socket. The battery will begin charging.

Problem	Possible Cause	Possible Cause
Vehicle does not run	Battery low on power	Recharge battery. After each use, or once a month minimum, charge the battery for a 'full' 8 to 12 hours. DO NOT leave the battery on the charger for more than 20 hours.
	Thermal fuse has tripped	Replace thermal fuse with new fuse. (See thermal fuse)
	Battery connector or wires are loose	Check that the battery connector is firmly plugged into the motor connector.
	Battery is dead	Replace battery. Please call us at 1-800-599-8898 for battery replacement.
	Electrical system is damaged	Check to see if water may have corroded the system. Loose dirt, gravel or sand might have jammed the switch.
	Motor is damaged	Please call us at 1-800-599-8898.
Vehicle does not run very long	Battery is under charged	You may not be charging the battery long enough. After each use, or once a month minimum, charge the battery for a 'full' 8 to 12 hours. DO NOT leave the battery on the charger for more than 20 hours.
Loud grinding or clicking noises coming from motor or gear box	Motor or gears are damaged	Please call us at 1-800-599-8898.
Vehicle runs sluggishly or beeping occurs	Vehicle is overloaded	Reduce weight on vehicle. Do not overload the vehicle. Only one rider at a time. Maximum user weight is 66lbs.
	Vehicle is being used in harsh conditions	Operate the vehicle on level ground and firm surfaces.
Vehicle needs a push to go forward	Poor contact of wires or connectors	Check that the battery connector is firmly plugged into the motor connector. If wires are loose around the motor please call us at 1-800-599-8898.
	"Dead Spot" on motor	A dead spot means the electric power is not being delivered to the terminal connection and the vehicle needs repair. Call us at 1-800-599-8898.
6V Battery will not recharge	Battery connector or adapter connector is loose	Check that battery connectors are firmly plugged into each other.
	Charger not plugged in	Check that battery charger is plugged into a working wall outlet.
Battery bubbles or gurgles when charging	This is normal and not a cause for concern	
Charger feels warm when recharging	This is normal and not a cause for concern	

- It is parents' responsibility to check main parts of the toy before using, must regularly examine for potential hazard, such as the battery, charge, cable or cord, plug, screws are fastening enclosure of other parts and that in the event of such damage, the toy must not be used until that damage had been properly removed.
- Make sure the plastic parts of the vehicle are not cracked or broken.
- Occasionally use a lightweight oil to lubricate moving parts such as wheels.
- Park the vehicle indoors or cover it with a tarp to protect it from the elements.
- Keep the vehicle away from sources of heat, such as stoves and heaters. Plastic parts may melt.
- Recharge the battery after each use. Only an adult can handle the battery.
- Recharge the battery at least once a month when the vehicle is not being used.
- Do not wash the vehicle with a hose. Do not wash the vehicle with soap and water. Do not drive the vehicle in rainy or snowy weather. Water will damage the motor, electric system and battery.
- Clean the vehicle with a soft, dry cloth. To restore shine to plastic parts, use a non-wax furniture polish. Do not use car wax. Do not use abrasive cleaners.
- Do not drive the vehicle in loose dirt, sand or fine gravel which could damage the moving parts, motors or the electric system.
- When not using, all the electrical source should be turned off. Turn off the power switch and disconnect the battery connection.

DISPOSAL OF BATTERY

- Your sealed lead-acid battery must be recycled or disposed of in an environmentally sound manner.
- Do not dispose of your lead-acid battery in a fire. The battery may explode or leak.
- Do not dispose of a lead-acid battery in your regular, household trash. The incineration, land filling or mixing of sealed lead-acid batteries with household trash is prohibited by law.

BATTERY POWERED RIDE-ON
MINI QUAD



Dist. by TDC USA, Inc. Fairfield, NJ 07004
©2021 All Rights Reserved. Made in China.
Item 60951

Questions and Comments
1-800-599-8898 (9 am - 5 pm EST)
support@tdcusainc.com
www.tdcusainc.com

Our products are suitable for ASTM F963; GB6675; EN71 and EN62115 standard.