

5 Piece Sofa Set

Steel Frame with Powder Coating



INSTRUCTIONS

<i>Chair Parts</i>	3
<i>Chair Assembly</i>	4-7
<i>Corner Chair Parts</i>	8
<i>Corner Chair Assembly</i>	9-12
<i>Table Parts</i>	13
<i>Table Assembly</i>	14-16
<i>Last Step</i>	17
<i>Warranty</i>	18-19

Customer Service



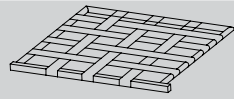
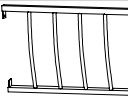
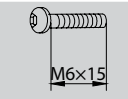
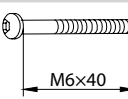
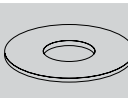
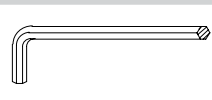



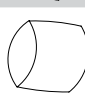
1-800-599-8898

Getting Started

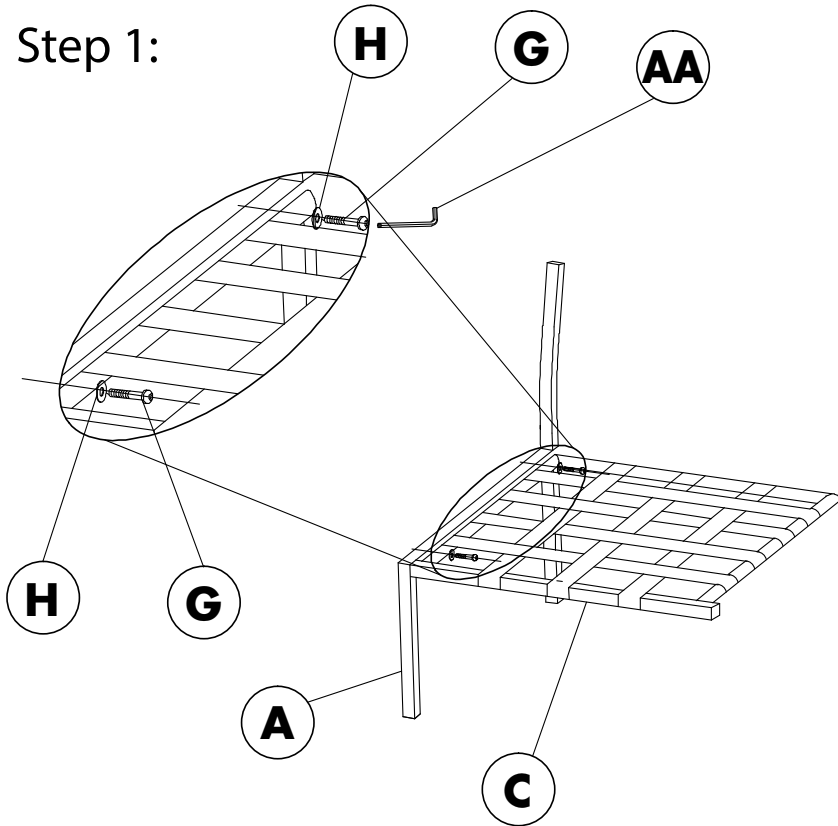
Identify all parts packaged in carton against the parts list. Remove all protective materials and place parts on a non-abrasive surface to avoid scratching. If any parts are missing or damaged, DO NOT attempt to assemble. Please contact our customer service center (Monday-Friday 9:00am – 5:00pm EST) at 1-800-599-8898 or email: support@tdcusainc.com.

Caution: Read all the instructions before assembly. Failure to do so may result in faulty assembly and potential injury! Assemble product on a soft, non-abrasive surface such as a carpet or cardboard to avoid damaging the item. Seek assistance to assemble bulky or heavy items. After final alignment, make sure all bolts and nuts are securely tightened with screw covers pressed in place.

Chair Parts

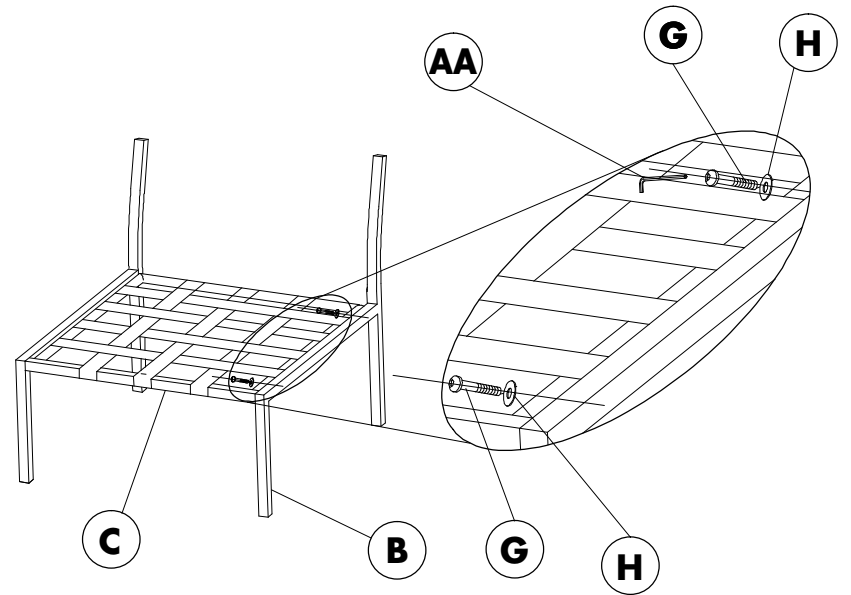
A	Right Leg		2
B	Left Leg		2
C	Seat		2
D	Back		2
F	M6 * 15 Screw		8
G	M6 * 40 Screw		12
H	Washer		20
AA	Hex Key		1
X	Seat Cushion		2
Y	Back Cushion		2
W	Clip		3
U	Pillow		2

Step 1:



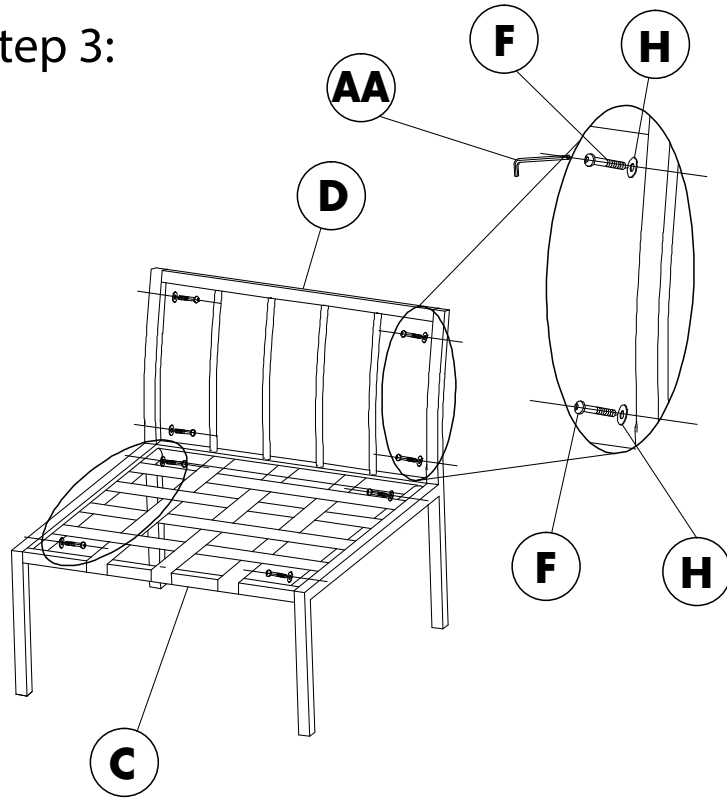
Attach Seat (C) to Right Leg (A) using Screw (G) and Washer (H).

Step 2:



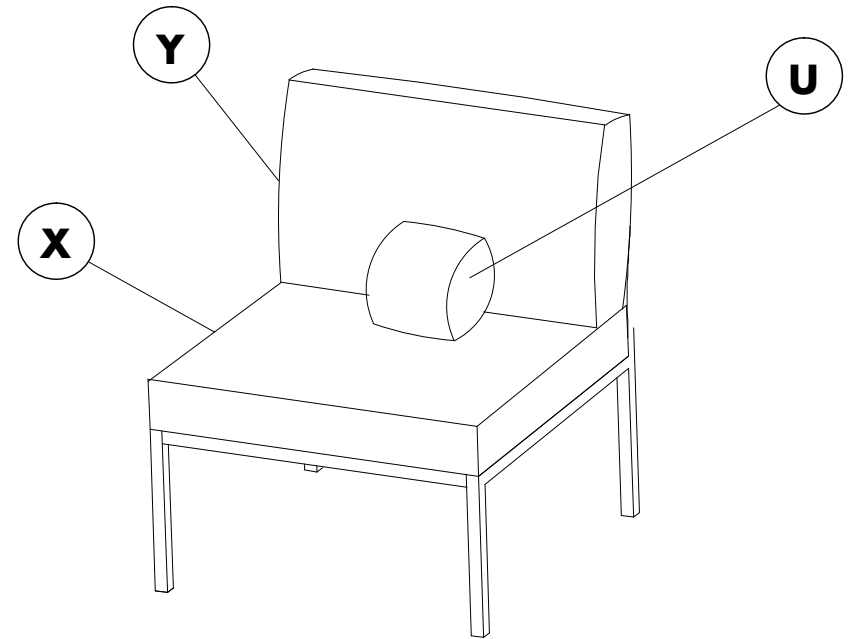
Attach Seat (C) to Left Leg (A) using Screw (G) and Washer (H).

Step 3:





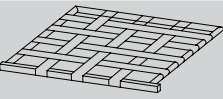
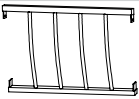
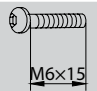
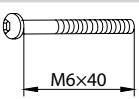
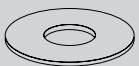




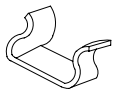
Attach the Back (D) to the Right & Left Legs (A & B) using Screw (F) and Washer (H). Screw the Seat (C) to Back (D) using Screw (G) and Washer (H).

Step 4:

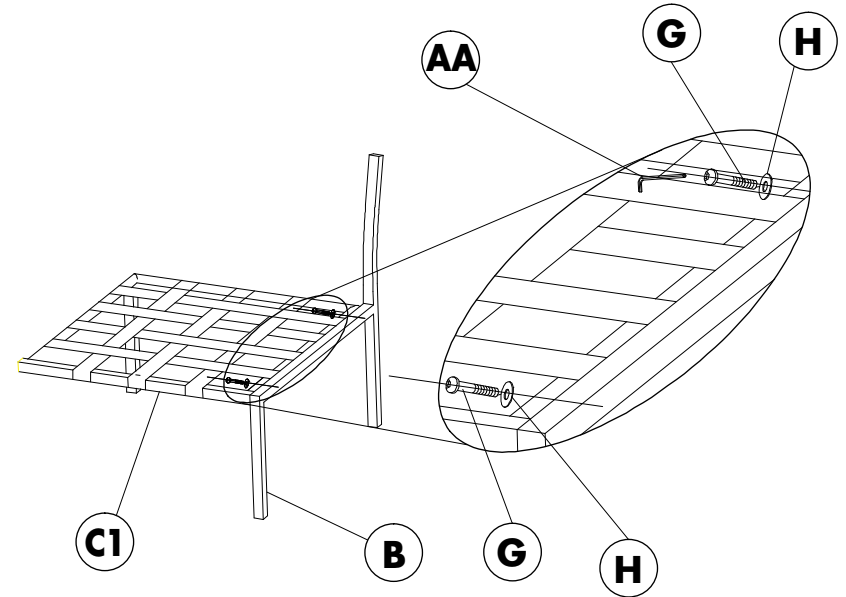


Place the Seat Cushion (X) and Back Cushion (Y) onto the completed frame. Add the Pillow (U).

Corner Chair Parts

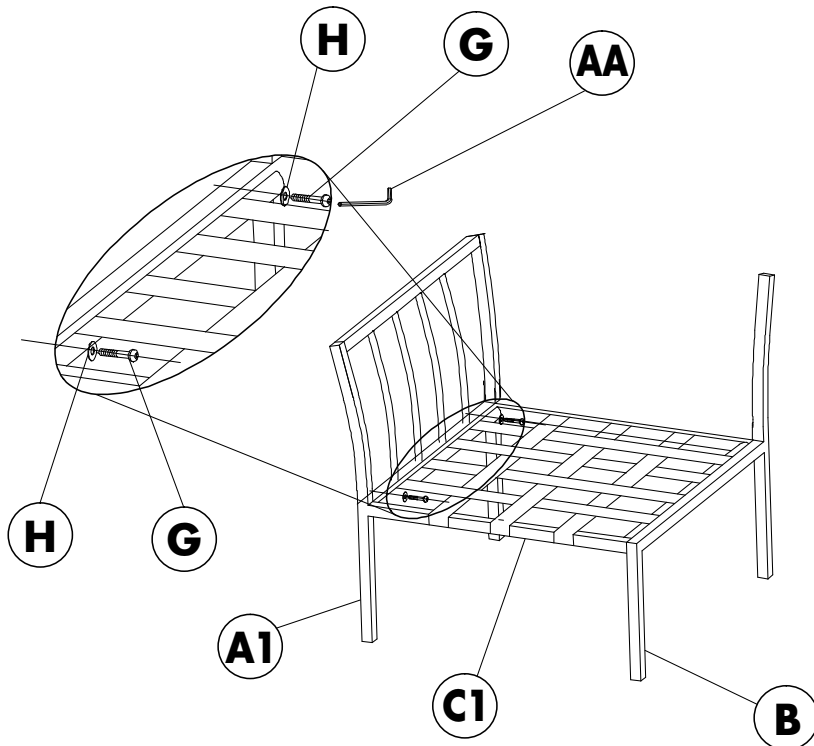
A1	Right Leg		2
B	Left Leg		2
C1	Seat		2
D1	Back		2
F	M6* 15 Screw	 M6x15	8
G	M6* 40 Screw	 M6x40	12
H	Washer		20
AA	Hex Key		1
X	Seat Cushion		2
Y	Back Cushion		2
Z	Side Cushion		2
W	Clip		3

Step 1:



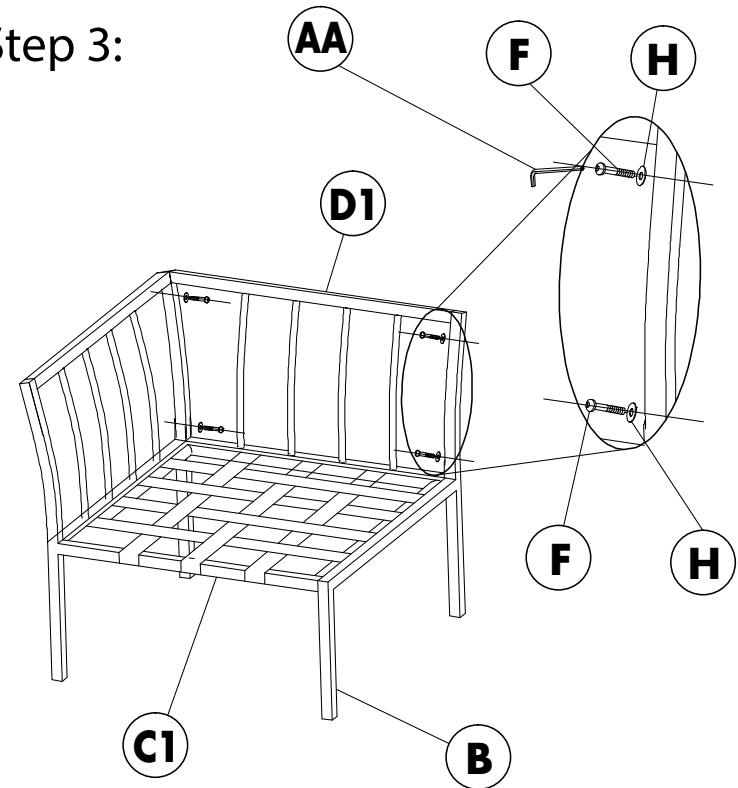
Attach Left Leg (B) to Seat (C1) using Screw (G) and Washer (H).

Step 2:



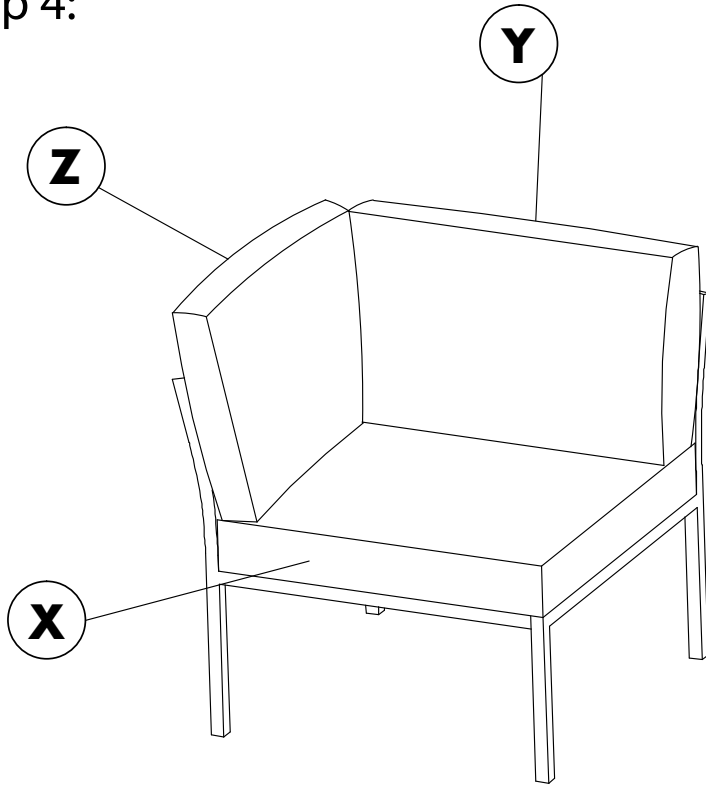
Attach the Seat (C1) to the Right Leg (A1) using Screw (G) and Washer (H).

Step 3:



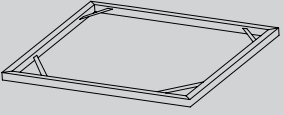
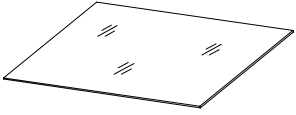

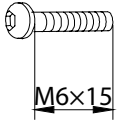
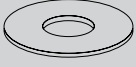

Screw the Back (D1) into Right Leg (A1) and Left Leg (B) using Screw (F) and Washer (H). Screw the Seat (C1) to Back (D1) using Screw (G) and Washer (H).

Step 4:

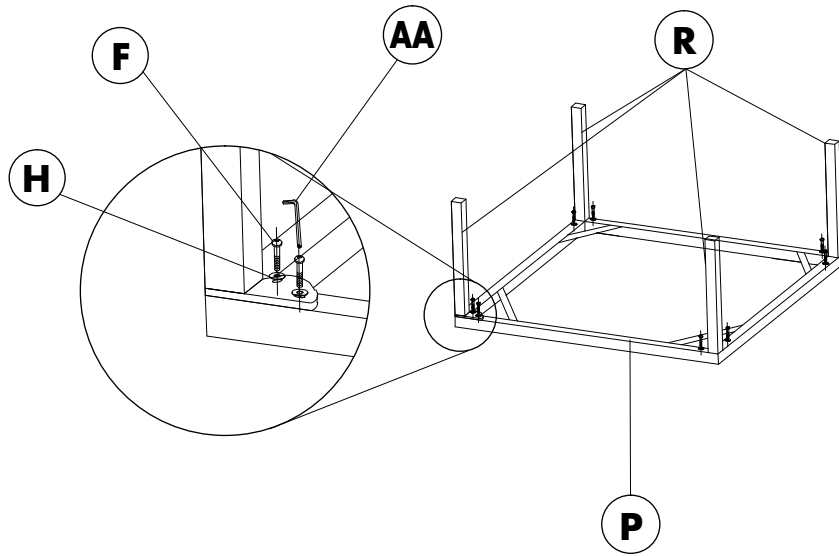


Place Seat Cushion (X) onto the Seat (C1). Place Back Cushion (Y) upright onto the Back (D1). Place Side Cushion (Z) upright onto the Right Leg (A1).

Table Parts

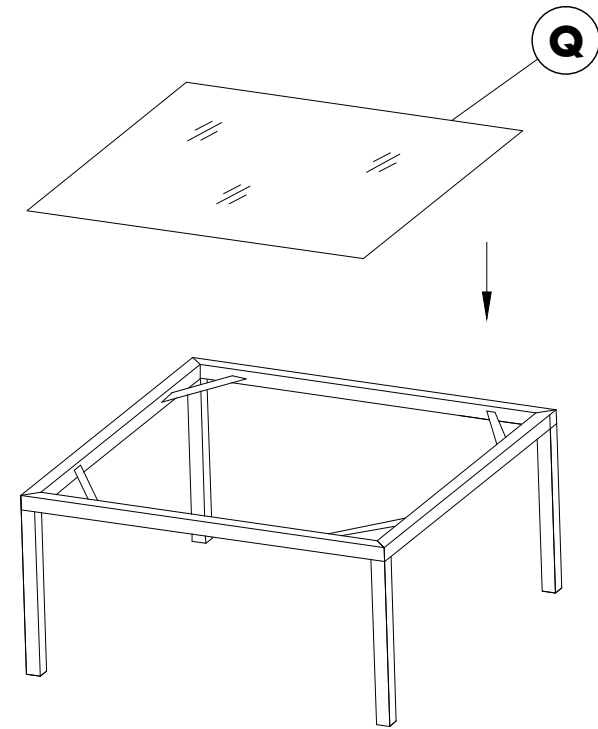
P	Table Rim		1
Q	Table Glass		1
R	Table Leg		4
F	M6 * 15 Screw		8
H	Washer		8
AA	Hex Key		1

Step 1:



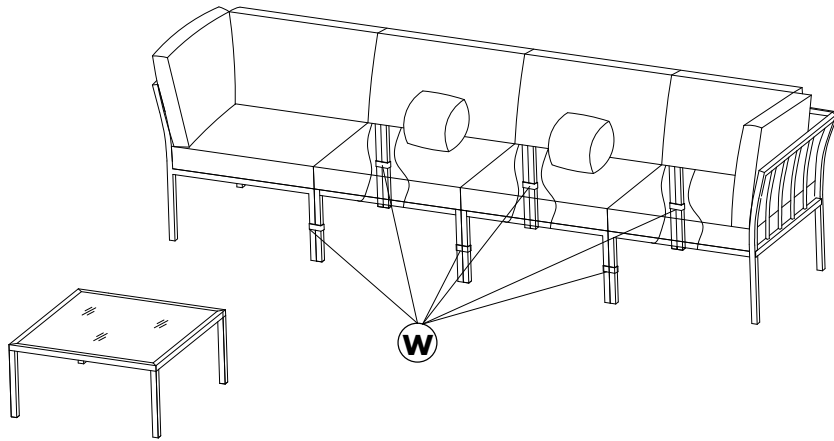
Place Table Rim (P) upside down on a clean flat surface. Screw the Table Legs (R) to the corner of the Table Rim (P) using Screw (F) and Washer (H).

Step 2:



Turn the assembled table to its upright position and place the Table Glass (Q) onto the Table Rim (P).

Last Step:



Position the chairs to your desire and place the Clip (W) onto two legs to keep the chairs from separating. Clips will need to be placed in the front and back of the adjoining legs.

LIMITED WARRANTY

Please contact our service hotline by phone, email or fax before sending the device. This allows us to provide support in the event of possible operator errors.

All furniture manufactured and sold by TDC USA, Inc. is warranted to the original purchaser against defects in workmanship and materials. If a product manufactured by TDC fails during the first year from date of purchase under the terms of our limited warranty, TDC will replace the item at no charge. After one year, it will be the original purchasers' responsibility to pay for freight and packing. TDC reserves the right, in the case of discontinued or out of production models, to replace with an item of similar quality. (Glass breakage is not warranted.)

Note: You must retain original receipt to obtain warranty!

Frames:

Frames are warranted against defects in materials and workmanship from the date of original purchase. Damage to frames or welds due to commercial use, improper assembly, exposure to water and sub-freezing temperatures, and/or abuse are not covered.

Fabric:

Fabric on cushions, slings, and umbrellas is warranted against separation at the seams. Fading, mildew, and/or discoloration due to exposure to elements, chemicals, and spills are not covered.

Powder coat and/or Paint:

The finish is warranted against blistering, peeling, or cracking. Fading resulting from exposure to elements, chemicals, and spills are not covered. Scratches and chips due to normal wear and use are not covered.

Umbrella:

Umbrella frames are warranted against manufacturer's defects in workmanship and materials.

Safety Warning! Umbrellas must be closed when not in use and taken down in windy conditions.

Freight & Packing:

TDC will be responsible for shipping, handling, and packaging charges for all valid warranty claims.

Care & Maintenance:

Be careful to never allow water build up in frames as this will cause corrosion and freeze damage in cold climates. Wash all frames with a solution of mild soap and water. Rinse with clean water and dry with a soft absorbent cloth towel. Frames can be treated with a liquid wax for maximum protection against UV rays and/or salty damp air. If your set includes cushions, slings, and/or an umbrella, they may be cleaned by hand with a solution of soap and water with a clean water rinse.

EXCLUSION:

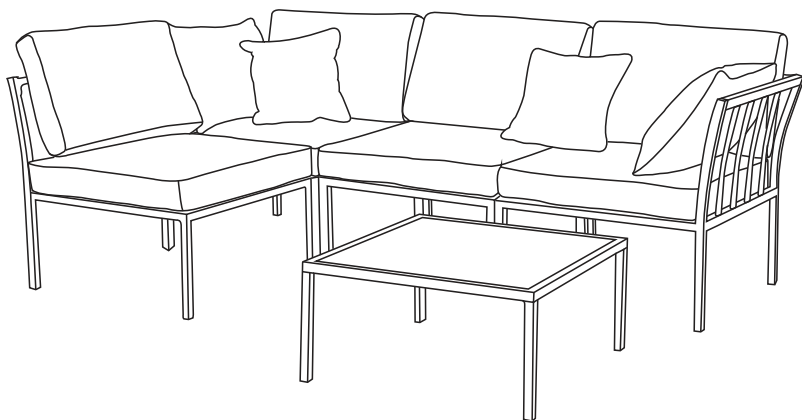
- Damage caused by acts of nature
- Wind damage
- Failure caused by unreasonable, unanticipated or abusive use
- Failure caused by a lack of reasonable and necessary care and maintenance
- Normal fade of fabrics, upholstery or woven materials
- Glass table tops
- Bursting or cracking of tubing due to exposure to water and freezing temperatures
- Changes in wood color due to the natural aging of the wood

Lack of original receipt will void warranty.

Customer Service: Monday-Friday 9:00am-5:00pm EST

By Phone: 800-599-8898

By E-mail: support@tdcusainc.com



Distributed By T.D.C. USA INC.

Fairfield, NJ 07004

©2016 All Rights Reserved. Made in China

?/Comments: 1-800-599-8898 9am-5pm EST

www.tdcusainc.com