

# Wicker Patio Bistro Bar Set



## Assembly Instructions

### **Made in Vietnam**

The owner's manual contains important safety information as well as assembly, use and maintenance instructions. Keep the packaging and bags away from children and dispose of all packaging properly before use. Keep this manual for future reference.



**PLEASE DO NOT  
RETURN THIS  
PRODUCT  
TO THE STORE**

We will be happy to correct any problems that you may have, or answer any of your questions regarding the purchase of this product. Please contact us at our Toll Free customer service number 1-800-599-8898 for any assistance and replacement parts. Thank You.


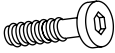



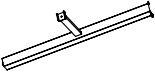


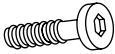


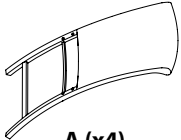
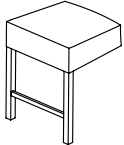
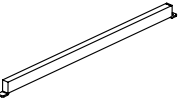
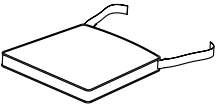
Dist. by TDC USA, Inc. Fairfield, NJ 07004  
©2021 All Rights Reserved.  
Made in Vietnam  
Item 22589  
[www.tdcusainc.com](http://www.tdcusainc.com)

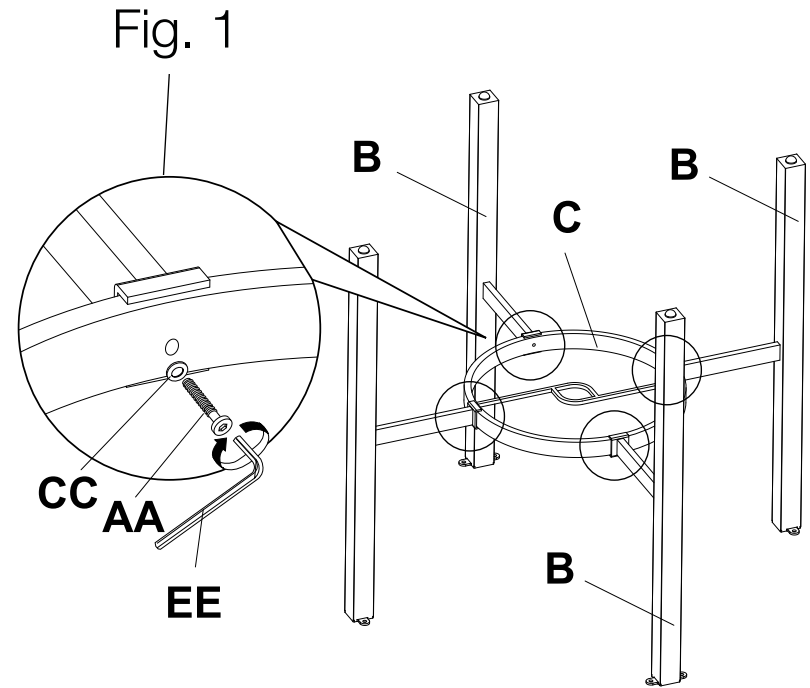
 **WARNING!**

- Keep all children and pets away from assembly area. Children and pets should be supervised when they are in the area of the product construction.
- Some parts may contain sharp edges. When assembling and using this product, basic safety precautions should always be.
- Please read all the instructions and warnings before assembling. In order to make the whole product adjust to the best, please install all the screws on the product and tighten all the screws after adjusting the product which can stand on the floor even. Not intended for commercial use.
- Check all bolts for tightness before use.
- **IMPORTANT** - check and tighten bolts often to keep them secure

• **CHOKING HAZARD** - Small parts. Not suitable for children under 36 months. The product contains small parts, keep children away when assembling.

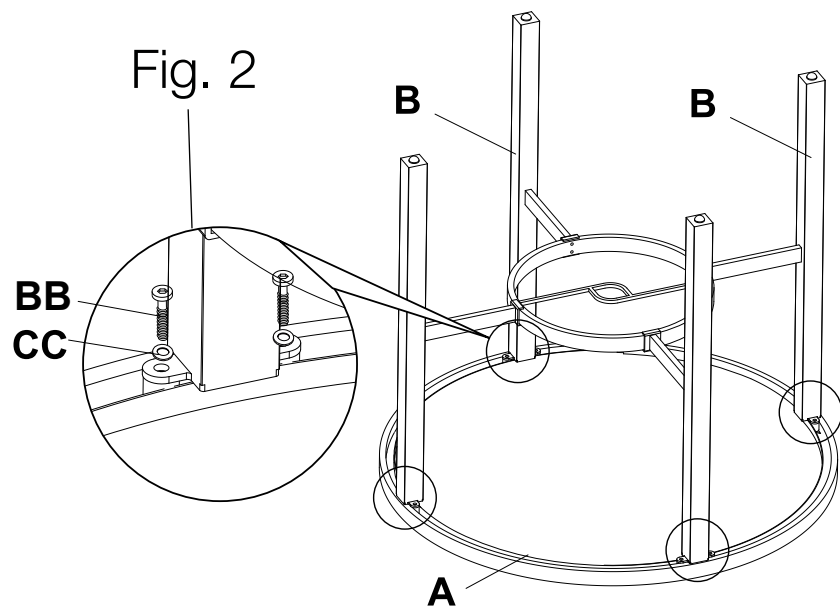
• **ADULT ASSEMBLY REQUIRED.**  
Always remove protective material and poly bags and dispose before assembly.

TABLE PARTS		
 <b>AA (x4)</b> M6x30 Bolt	 <b>BB (x8)</b> M6x20 Bolt	 <b>CC (x12)</b> Washer
 <b>EE (x1)</b> Hex Key	 <b>A (x1)</b> Table Top	 <b>B (x4)</b> Leg
 <b>C (x12)</b> Table Ring		
CHAIR PARTS		
 <b>AA (x16)</b> M6x40 Bolt	 <b>BB (x8)</b> M6x15 Bolt	 <b>CC (x24)</b> Washer
 <b>EE (x1)</b> Hex Key	 <b>A (x4)</b> Chair Back	 <b>B (x4)</b> Chair Seat
 <b>C (x4)</b> Bottom Support	 <b>D (x4)</b> Seat Cushion	



### Step 1:

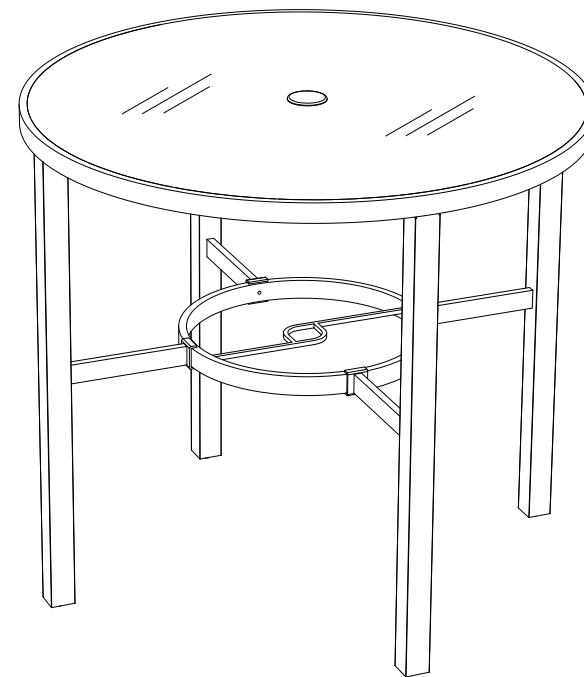
Insert one M6x30 Bolt (AA) with Washer (CC) through eyelet found on the inside of Table Ring (C) and into the bolt-threading found on the support extension of Leg (B); see Figure 1. **Do not tighten bolts down until assembly of the table is complete.** Follow these steps to assemble the remaining three Legs (B) to Table Ring (C).



## Step 2:

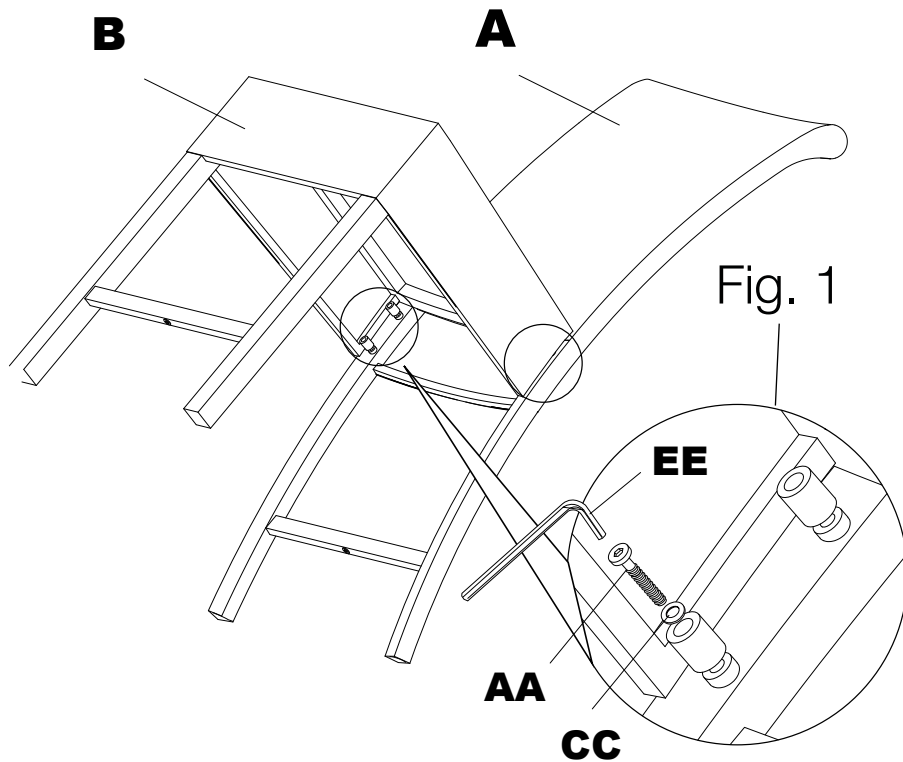
**Remove Glass (D) from Table Top (A) carefully and set it aside until assembly is complete.** Set the Table Top (A) upside-down on a soft, non-abrasive surface.

Place previously assembled parts over Table Top (A) as illustrated here. Insert two M6x20 Bolts (BB) with Washers (CC) through the brackets at the tops of each Leg (B) and into the bolt-threading found underneath the table rim of Table Top (A); see Figure 2. Use Hex Key (EE) to tighten all bolts left loose throughout assembly process.



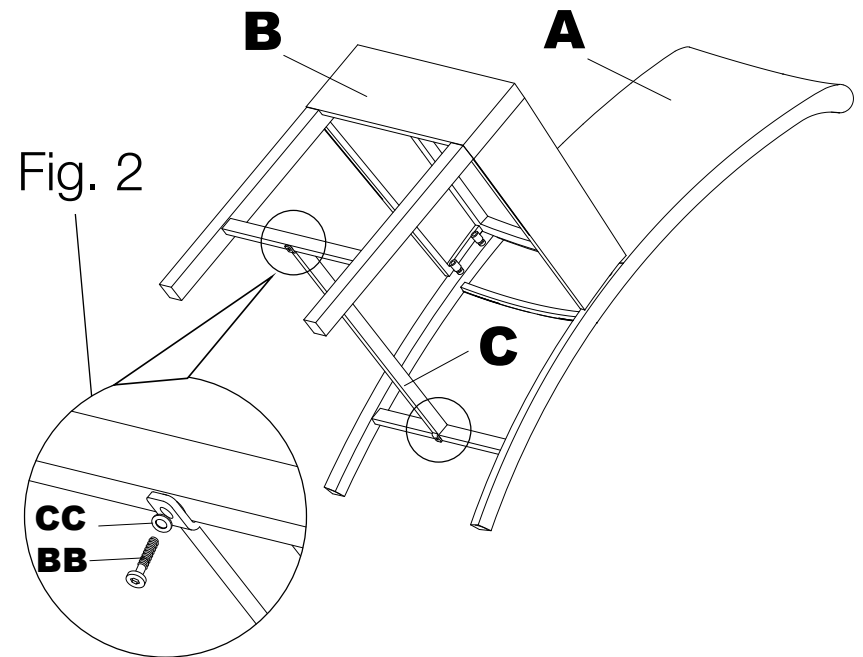
## Step 3:

Turn table right-side up and carefully set Glass (D) into the center of Table Top (A). The table is now ready to use.



### Step 1 :

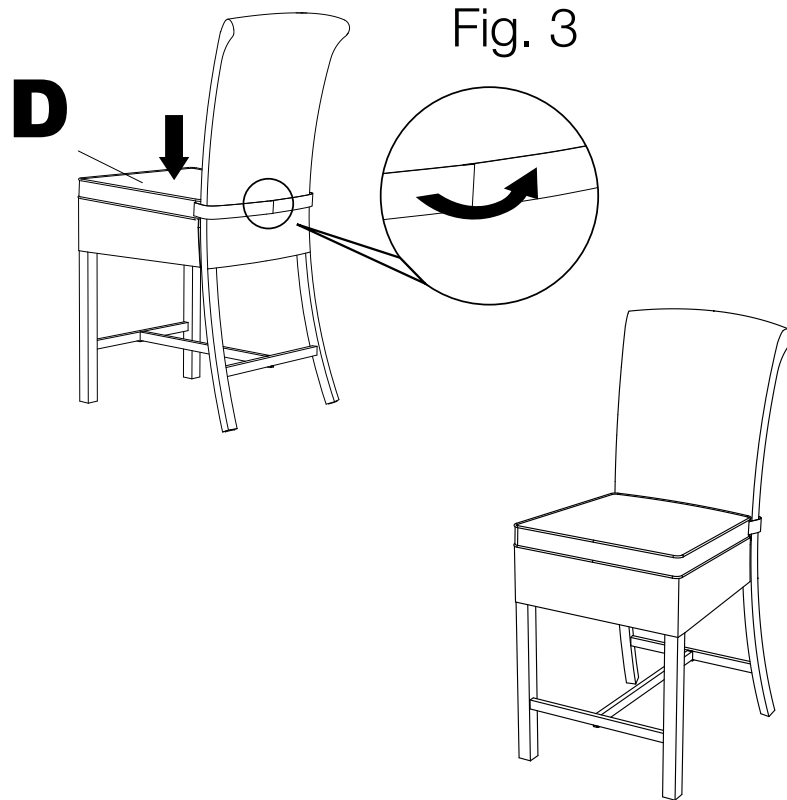
Insert two M6x40 Bolts (AA) with Washers (CC) through the back end [underneath] the seat of Chair Seat (B) and into the bolt-threading found at the top of the legs of Chair Back (A); see Figure 1. **Do not tighten bolts down until assembly of the chair is complete.** Follow these steps to assemble the opposite side of Chair Seat (B) to Chair Back (A).



### Step 2:

Place Support (C) in between the footrest of Chair Seat (B) and the horizontal bar near the bottom of legs of Chair Back (A) as illustrated here.

Insert one M6x15 Bolt (BB) with Washer (CC) through the bracket at the end of Support (C) into the bolt-threading found underneath the footrest of Chair Seat (B); see Figure 2. Insert one M6x15 Bolt (BB) with Washer (CC) through the bracket at the opposite end of Support (C) into the bolt-threading found underneath the horizontal bar of Chair Back (A). Tighten all bolts left loose throughout chair assembly process using Hex Key (EE).



**Step 3 :**

Place Seat Cushion (D) onto Chair Seat (B). Secure the cushion to the chair by connecting the fastening straps around Chair Back (A); see Figure 3. Your chair is now ready to be used. Follow these steps to assemble the remaining three chairs.

# Wicker Patio Bistro Bar Set

Dist. by TDC USA, Inc. Fairfield, NJ 07004  
©2021 All Rights Reserved. Made in Vietnam.  
Item #22589

**Questions and Comments**  
**1-800-599-8898 (9 am - 5 pm EST)**  
**[www.tdcusainc.com](http://www.tdcusainc.com)**