

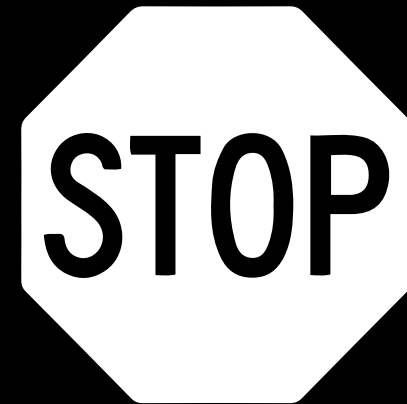
# 5 Piece Steel Dining Set



## Assembly Instructions

### **Made in China**

The owner's manual contains important safety information as well as assembly, use and maintenance instructions. Keep the packaging and bags away from children and dispose of all packaging properly before use. Keep this manual for future reference.



**PLEASE DO NOT  
RETURN THIS  
PRODUCT  
TO THE STORE**

**We will be happy to correct any problems that you may have, or answer any of your questions regarding the purchase of this product. Please contact us at our Toll Free customer service number 1-800-599-8898 for any assistance and replacement parts. Thank You.**


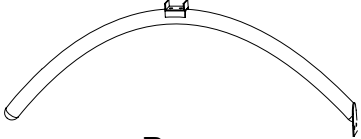
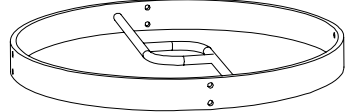

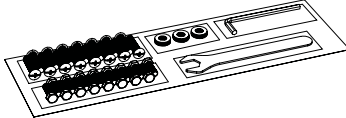
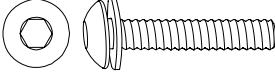
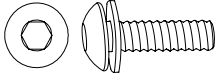
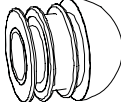

Dist. by TDC USA, Inc. Fairfield, NJ 07004  
©2020 All Rights Reserved.  
Made in China  
Item 22524  
[www.tdcusainc.com](http://www.tdcusainc.com)

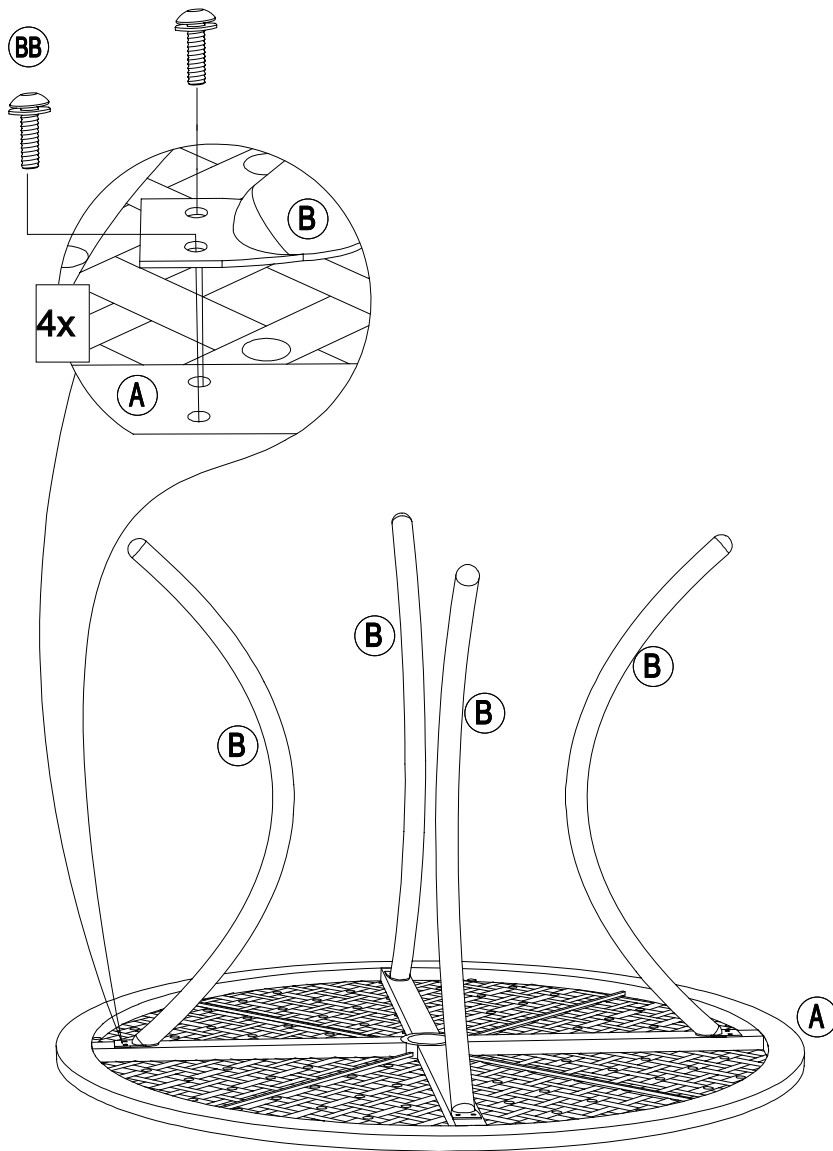
 **WARNING!**

- Keep all children and pets away from assembly area. Children and pets should be supervised when they are in the area of the product construction.
- Some parts may contain sharp edges. When assembling and using this product, basic safety precautions should always be.
- Please read all the instructions and warnings before assembling. In order to make the whole product adjust to the best, please install all the screws on the product and tighten all the screws after adjusting the product which can stand on the floor even. Not intended for commercial use.
- Check all bolts for tightness before use.
- **IMPORTANT** - check and tighten bolts often to keep them secure

• **CHOKING HAZARD** - Small parts. Not suitable for children under 36 months. The product contains small parts, keep children away when assembling.

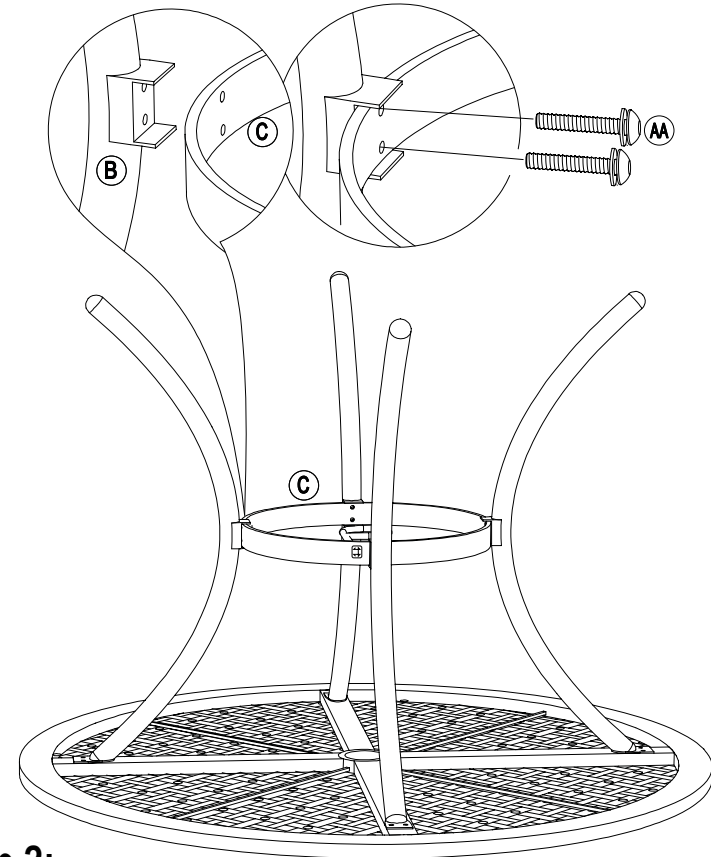
• **ADULT ASSEMBLY REQUIRED.**  
Always remove protective material and poly bags and dispose before assembly.

 <p><b>A (x1)</b> Table</p>	 <p><b>B (x4)</b> Table Leg</p>
 <p><b>C (x1)</b> Support</p>	 <p><b>D (x1)</b> Cap</p>
 <p><b>ZZ (x1)</b> Hardware Pack</p>	 <p><b>AA (x8)</b> M6x28 Bolt</p>
 <p><b>BB (x8)</b> M6x15 Bolt</p>	 <p><b>EE (x4)</b> Foot Pad (Pre-assembled)</p>
 <p><b>XX (x1)</b> Hex Key (Size 4)</p>	



**Step 1:**

Place Table (A) upside down on the ground. Insert two Bolts M6x15 (BB) through the top of Table Leg (B) and into the screw-threading of table rim; do not tighten bolts all the way until assembly is completed. Follow these steps to secure the remaining three Table Legs (B) to Table (A).

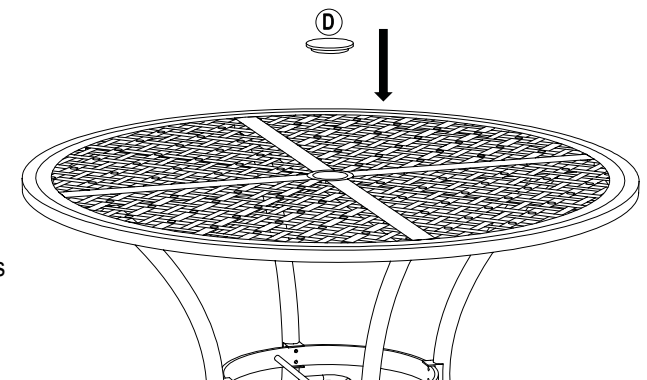


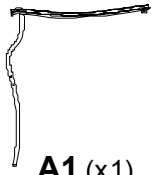
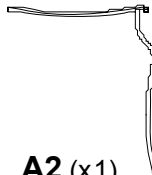
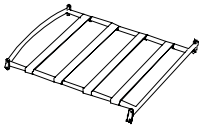
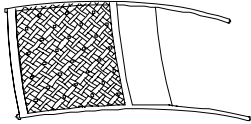
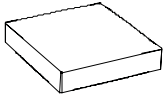

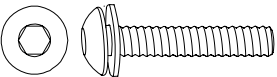
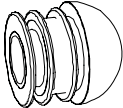

**Step 2:**

Place Support (C) within groves of all four Table Legs (B). Insert two Bolts M6x28 (AA) through holes on the inside of Support (C) and into the screw-threading found at the center of each Table Leg (B). Tighten all bolts left loose throughout assembly process using Hex Key (XX).

**Step 3:**

Turn the table right-side up. Place Cap (D) in the center of Table (A) when an umbrella (sold separately) is not in use.

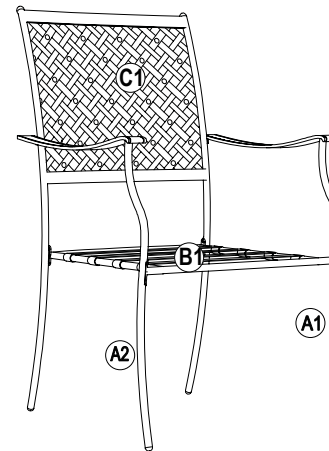
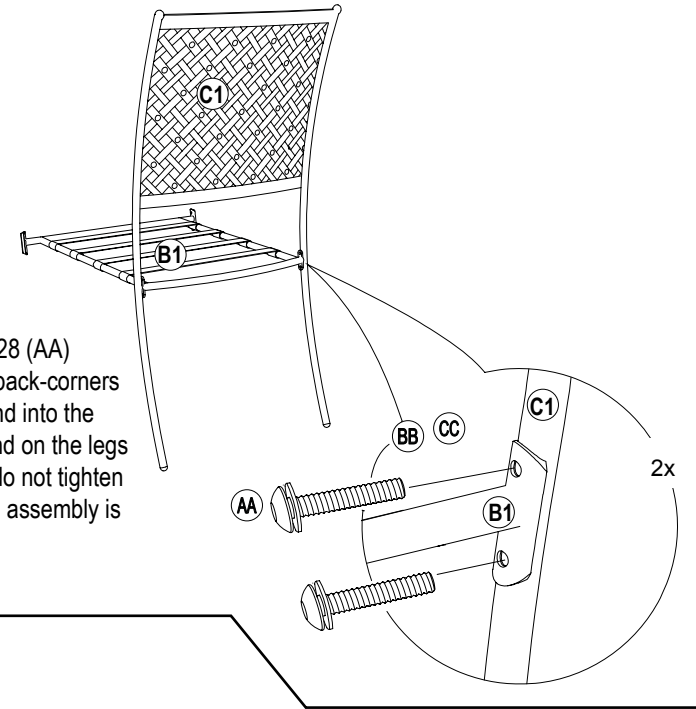


 <p><b>A1 (x1)</b> Armrest</p>	 <p><b>A2 (x1)</b> Armrest</p>
 <p><b>B1 (x1)</b> Chair Seat</p>	 <p><b>C1 (x1)</b> Chair Back</p>
 <p><b>D (x1)</b> Cushion</p>	 <p><b>ZZ (x1)</b> Hardware Pack</p>
 <p><b>AA (x10)</b> M6x18 Bolt</p>	 <p><b>DD (x4)</b> Foot Pad (Pre-assembled)</p>
 <p><b>XX (x1)</b> Hex Key (Size 4)</p>	

\* 4 Chairs are included in this set

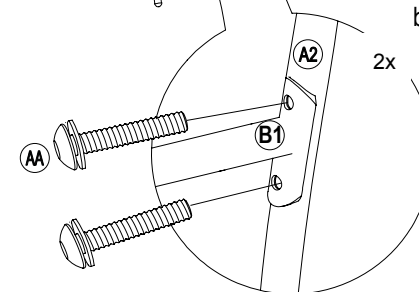
**Step 1:**

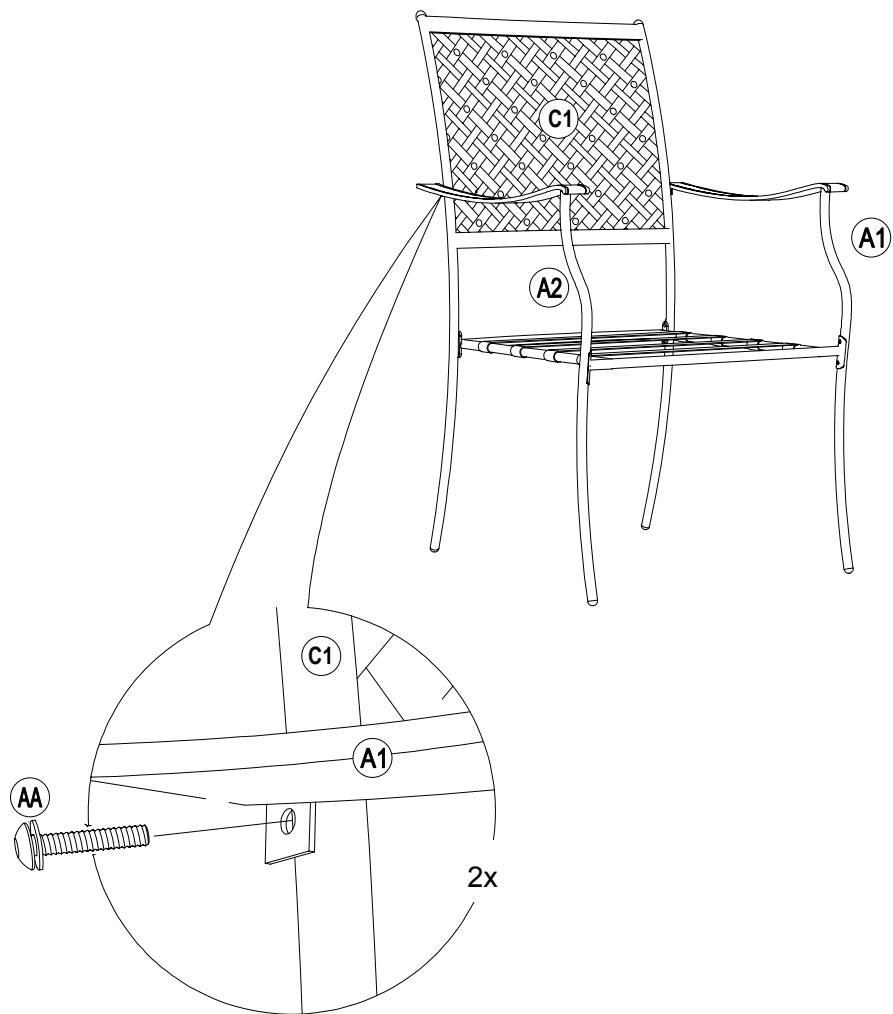
Insert two Bolts M6x28 (AA) through each of the back-corners of Chair Seat (B1) and into the screw-threading found on the legs of Chair Back (C1); do not tighten bolts all the way until assembly is completed.



**Step 2:**

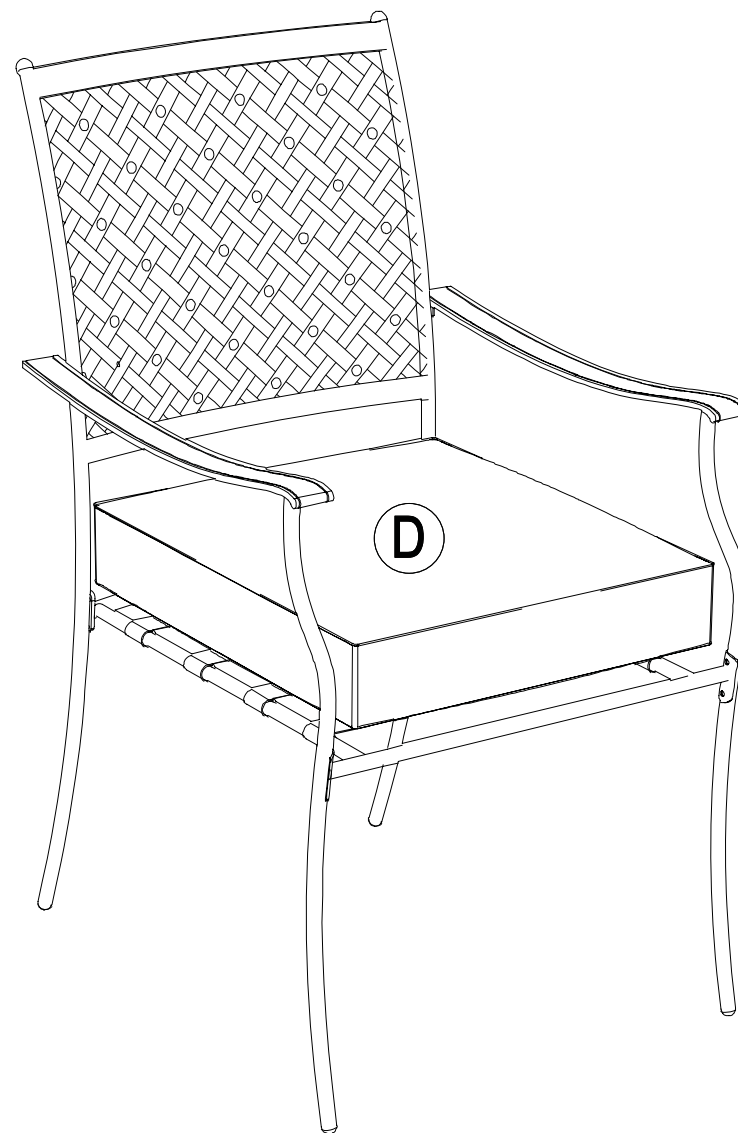
Place Armrest (A1) on the left side of previously assembled parts and Armrest (A2) on the right. Insert two Bolts M6x28 (AA) through each of the front-corners of Chair Seat (B1) and into the screw-threading found on the legs of Armrests (A1 & A2); do not tighten bolts all the way until assembly is completed.





### Step 3:

Insert two Bolts M6x28 through holes found underneath armrest of A1 and A2 and into the screw-threading found on the sides of Chair Back (C1). Tighten all bolts left loose throughout assembly process using Hex Key (XX). Follow these steps to assemble the remaining chairs for this set.



### Step 4:

Place Cushion (D) on chair seat once finished with assembly of chairs.

# 5 Piece Steel Dining Set

Dist. by TDC USA, Inc. Fairfield, NJ 07004  
©2020 All Rights Reserved. Made in China.  
Item #22524

**Questions and Comments**  
**1-800-599-8898 (9 am - 5 pm EST)**  
**[www.tdcusainc.com](http://www.tdcusainc.com)**