

# 4 Piece Sofa Set

*Steel Frame with Powder Coating*



## INSTRUCTIONS

<i>Parts</i>	<i>3</i>
<i>Sofa Assembly</i>	<i>4-7</i>
<i>Table Assembly</i>	<i>8-9</i>
<i>Chair Assembly</i>	<i>10-13</i>
<i>Warranty</i>	<i>14-15</i>

Distributed By T.D.C. USA INC.

Fairfield, NJ 07004

©2016 All Rights Reserved. Made in China

?/Comments: 1-800-599-8898 9am-5pm EST

[www.tdcusainc.com](http://www.tdcusainc.com)

*Customer Service*

**1-800-599-8898**

# Getting Started

Identify all parts packaged in carton against the parts list. Remove all protective materials and place parts on a non-abrasive surface to avoid scratching. If any parts are missing or damaged, DO NOT attempt to assemble. Please contact our customer service center (Monday-Friday 9:00am – 5:00pm EST) at 1-800-599-8898 or email: support@tdcusainc.com.

***Caution: Read all the instructions before assembly. Failure to do so may result in faulty assembly and potential injury! Assemble product on a soft, non-abrasive surface such as a carpet or cardboard to avoid damaging the item. Seek assistance to assemble bulky or heavy items. After final alignment, make sure all bolts and nuts are securely tightened with screw covers pressed in place.***

## Freight & Packing:

TDC will be responsible for shipping, handling, and packaging charges for all valid warranty claims.

## Care & Maintenance:

Be careful to never allow water build up in frames as this will cause corrosion and freeze damage in cold climates. Wash all frames with a solution of mild soap and water. Rinse with clean water and dry with a soft absorbent cloth towel. Frames can be treated with a liquid wax for maximum protection against UV rays and/or salty damp air. If your set includes cushions, slings, and/or an umbrella, they may be cleaned by hand with a solution of soap and water with a clean water rinse.

## EXCLUSION:

- Damage caused by acts of nature
- Wind damage
- Failure caused by unreasonable, unanticipated or abusive use
- Failure caused by a lack of reasonable and necessary care and maintenance
- Normal fade of fabrics, upholstery or woven materials
- Glass table tops
- Bursting or cracking of tubing due to exposure to water and freezing temperatures
- Changes in wood color due to the natural aging of the wood

**Lack of original receipt will void warranty.**

**Customer Service: Monday-Friday 9:00am-5:00pm EST**

**By Phone: 800-599-8898**

**By E-mail: support@tdcusainc.com**

## LIMITED WARRANTY

Please contact our service hotline by phone, email or fax before sending the device. This allows us to provide support in the event of possible operator errors.

All furniture manufactured and sold by TDC USA, Inc. is warranted to the original purchaser against defects in workmanship and materials. If a product manufactured by TDC fails during the first year from date of purchase under the terms of our limited warranty, TDC will replace the item at no charge. After one year, it will be the original purchasers' responsibility to pay for freight and packing. TDC reserves the right, in the case of discontinued or out of production models, to replace with an item of similar quality. (Glass breakage is not warranted.)

**Note: You must retain original receipt to obtain warranty!**

### Frames:

Frames are warranted against defects in materials and workmanship from the date of original purchase. Damage to frames or welds due to commercial use, improper assembly, exposure to water and sub-freezing temperatures, and/or abuse are not covered.

### Fabric:

Fabric on cushions, slings, and umbrellas is warranted against separation at the seams. Fading, mildew, and/or discoloration due to exposure to elements, chemicals, and spills are not covered.
















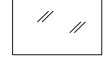

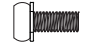

### Powder coat and/or Paint:

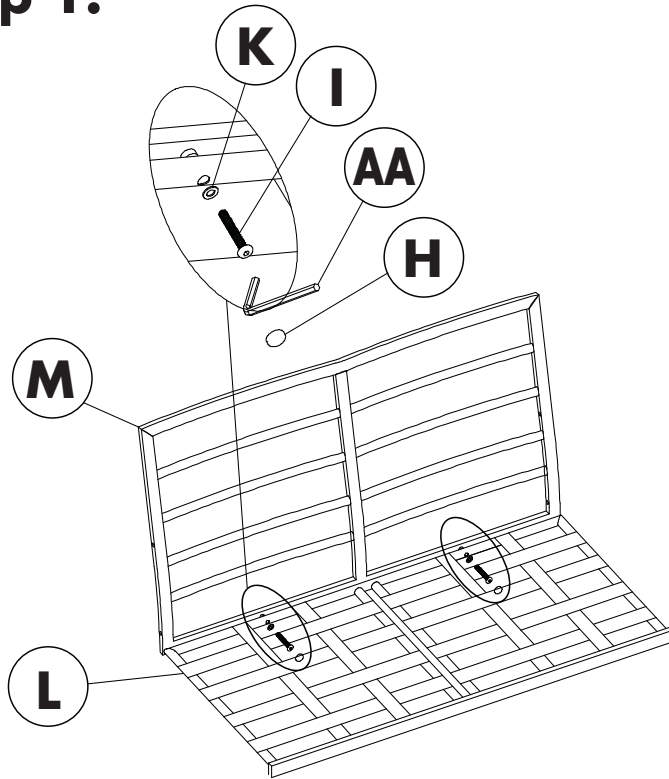
The finish is warranted against blistering, peeling, or cracking. Fading resulting from exposure to elements, chemicals, and spills are not covered. Scratches and chips due to normal wear and use are not covered.

### Umbrella:

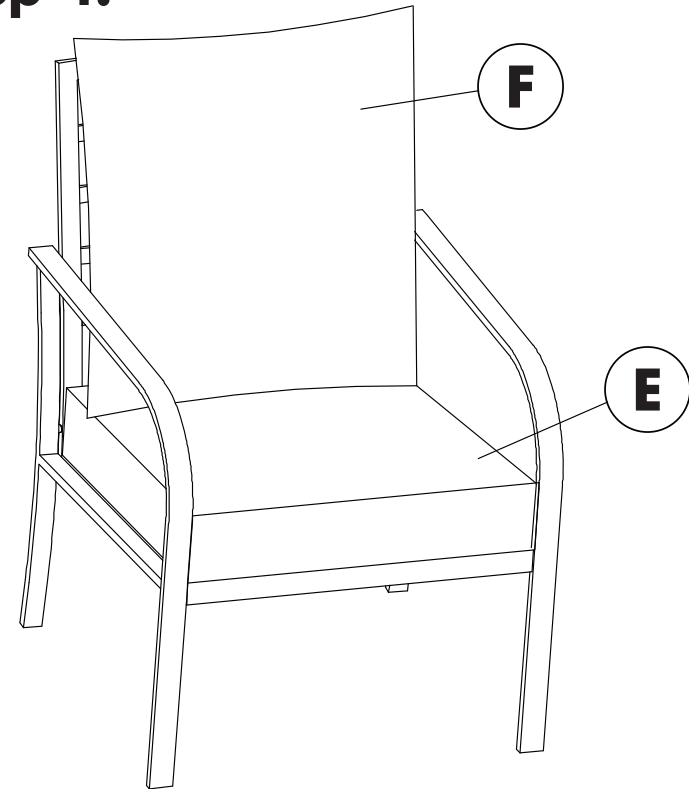
Umbrella frames are warranted against manufacturer's defects in workmanship and materials.

Safety Warning! Umbrellas must be closed when not in use and taken down in windy conditions.

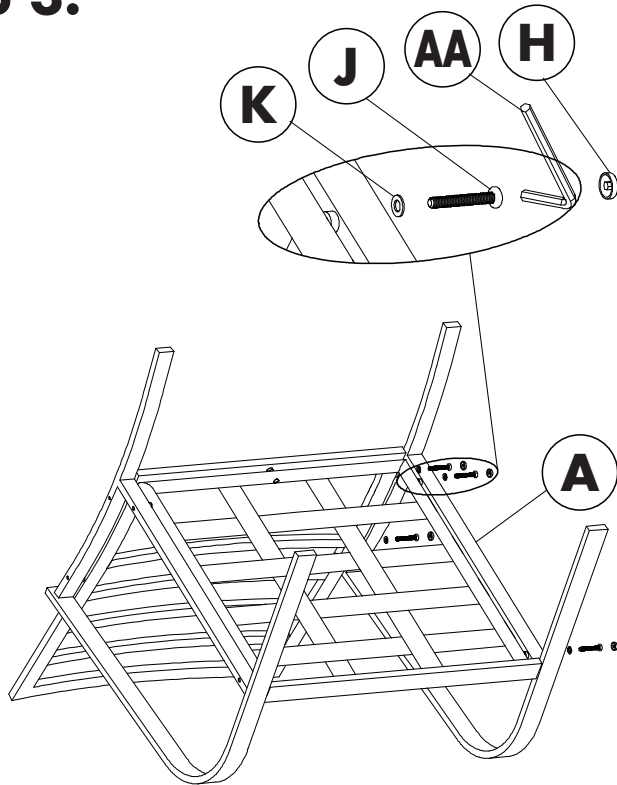
<b>A</b>	Arm Rest		6
<b>C</b>	Chair Back		2
<b>D</b>	Chair Seat		2
<b>E</b>	Seat Cushion		2
<b>F</b>	Back Cushion		2
<b>G</b>	Throw Pillow		2
<b>H</b>	Screw Cover		36
<b>I</b>	M6 * 35 Screw		4
<b>J</b>	M6 * 40 Screw		24
<b>K</b>	Washer		36
<b>L</b>	Sofa Seat		1
<b>M</b>	Sofa Back		1
<b>N</b>	Table Rim		1
<b>O</b>	Table Leg		4
<b>P</b>	Table Ring		1
<b>Q</b>	Glass		1
<b>R</b>	M6 * 25 Screw		4
<b>S</b>	M6 * 15 Screw		4
<b>AA</b>	Hex Key		3

**Step 1:**

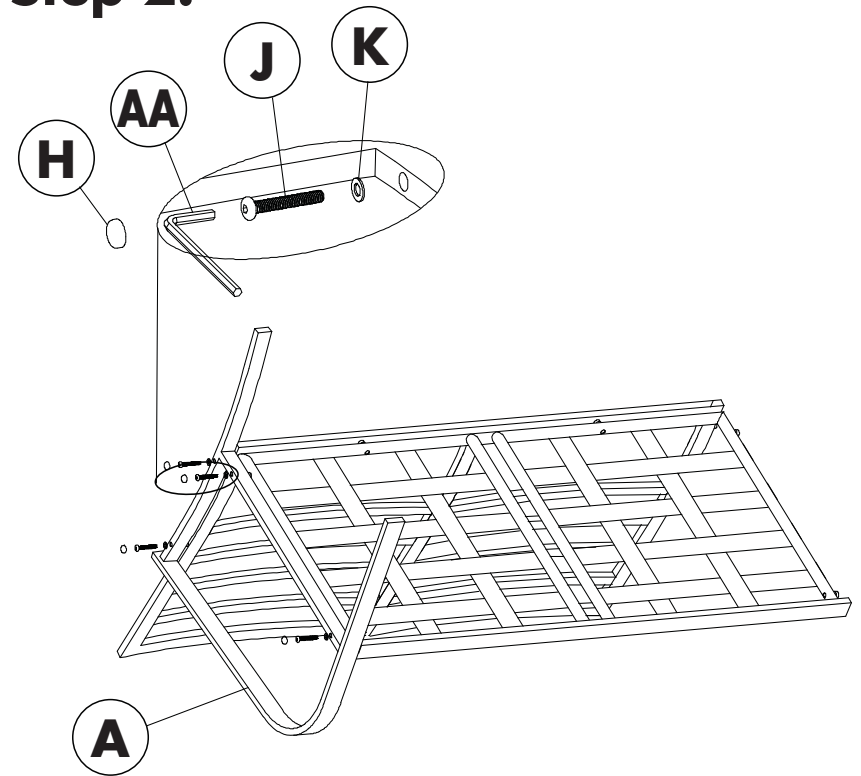
Set Sofa Seat (L) down with the straps facing up. Place the bottom of Sofa Back (M) against the back end of Sofa Seat (L) to form an “L” shape. Insert two Screws M6x35 (I) through Washer (K) and then through the screw holes of Sofa Seat (L) and into Sofa Back (M). Do not tighten fully.

**Step 4:**

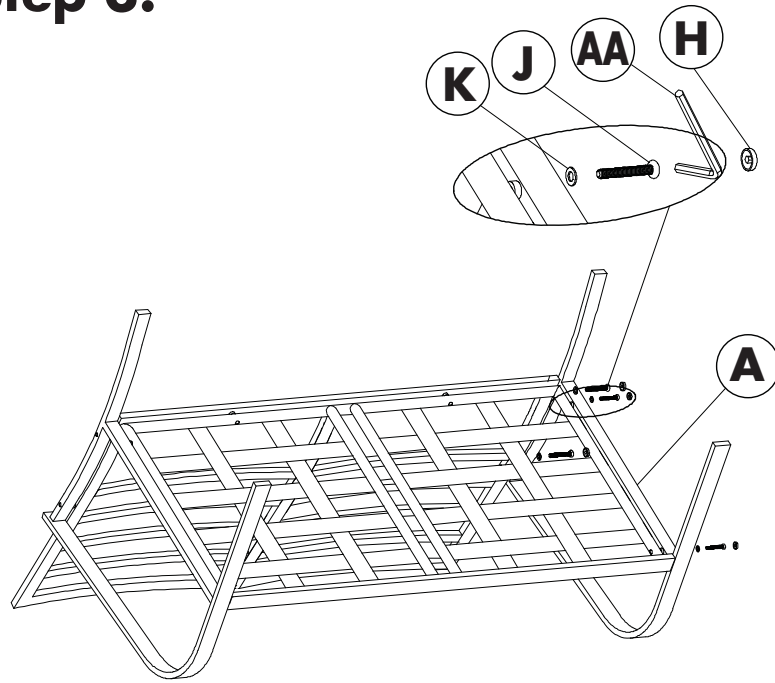
Place Seat Cushions (E) and Back Cushions (F) in their designated places.

**Step 3:**

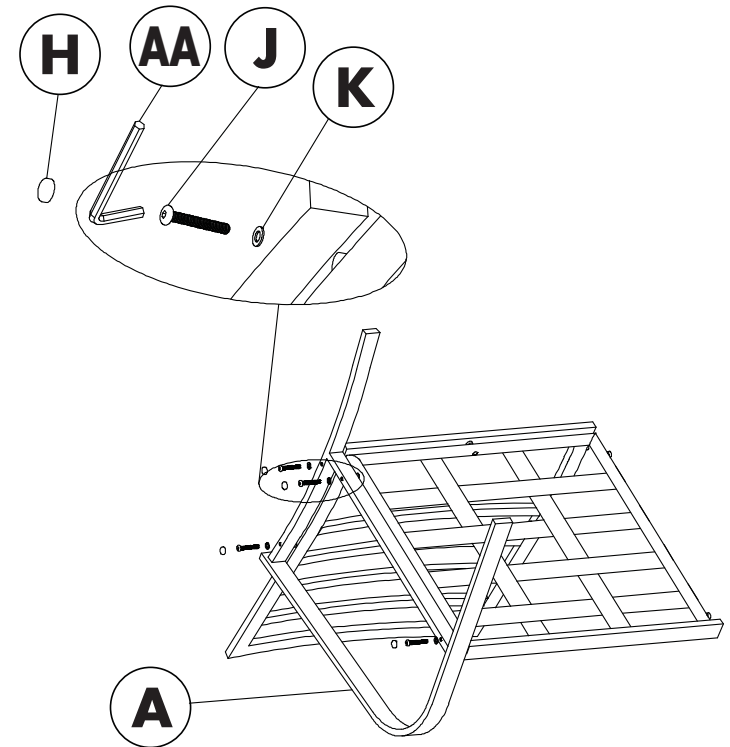
Place second Arm Rest (A) on opposite side of chair seat/back and follow the same instructions provided in Step 2. Once Arm Rest (A) is in place, tighten all loose screws completely. Place Screw Covers (H) over all screw heads to hide their appearance.

**Step 2:**

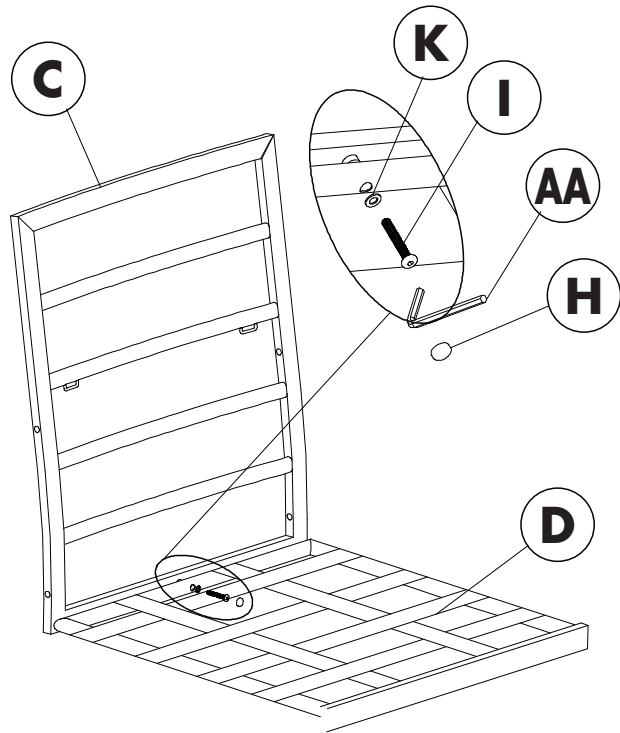
Turn the sofa seat/back just assembled upside down and place one Arm Rest (A) against it. The legs of Arm Rest (A) should be pointing away from the bottom of Sofa Seat (L). Insert two Screws M6x40 (J) through Washers (K) and then through the screw holes of Arm Rest (A) and into Sofa Back (M). Insert two Screws M6x40 (J) through Washers (K) and then through the screw holes of Arm Rest (A) and into Sofa Seat (L). Do not tighten fully.

**Step 3:**

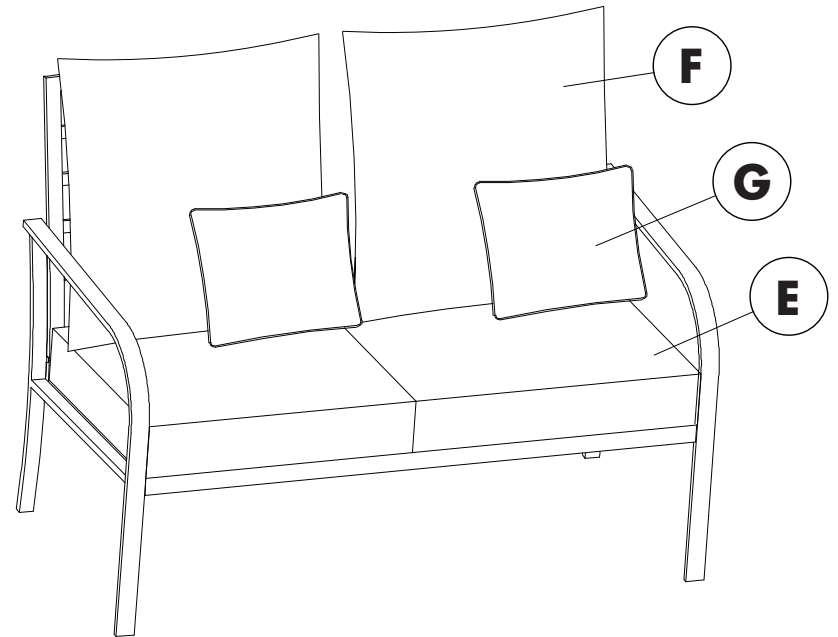
Place second Arm Rest (A) on opposite side of sofa seat/back and follow the same instructions provided in Step 2. Once Arm Rest (A) is in place, tighten all loose screws completely. Place Screw Covers (H) over all screw heads.

**Step 2:**

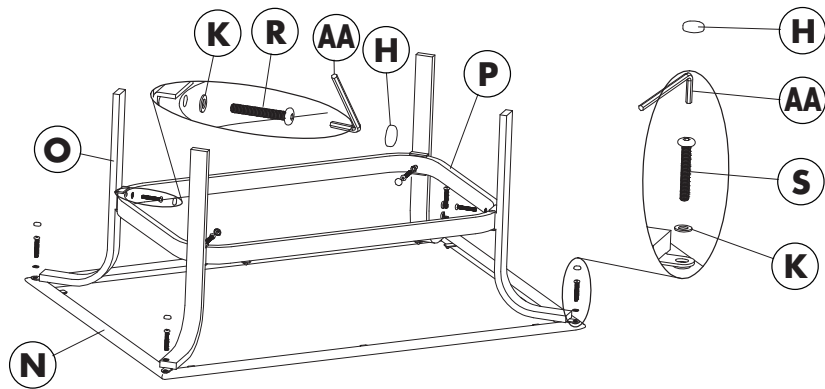
Turn the chair seat/back just assembled upside down and place one Arm Rest (A) against it. The legs of Arm Rest (A) should be pointing away from the bottom of Chair Seat (D). Insert two Screws M6x40 (J) through Washers (K) and then through the screw holes of Arm Rest (A) and into Chair Back (C). Insert two Screws M6x40 (J) through Washers (K) and then through the screw holes of Arm Rest (A) and into Chair Seat (D). Do not tighten fully.

**Step 1:**

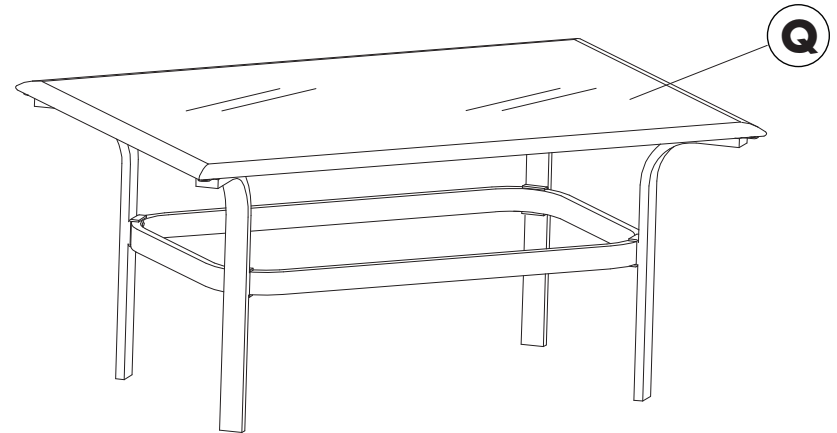
Set Chair Seat (D) down with the straps facing up. Place the bottom of Chair Back (C) against the back end of Chair Seat (D) to form an "L" shape. Insert one Screws M6x35 (I) through Washers (K) and then through the screw hole of Chair Seat (D) and into Chair Back (C). Do not tighten fully.

**Step 4:**

Place Seat Cushions (E) and Back Cushions (F) in their designated places and use the Throw Pillows (G) as needed.

**Step 1:**

Remove Glass (Q) from Table Rim (N). Lay Table Rim (N) upside down. Using four Screws M6x15 (S) and Washers (K), screw the Legs (O) to the Table Rim (N). Screw the Table Ring (P) onto the Legs (O) using Screws M6x25 (R) and Washers (K). Once Table Ring (P) is in place, tighten all loose screws completely. Place Screw Covers (H) over all screw heads to hide their appearance.

**Step 2:**

Turn table right-side up and put Glass (Q) back into place inside Table Rim (N).