

Wicker Patio Conversation Set



Assembly Instructions

Made in Vietnam

The owner's manual contains important safety information as well as assembly, use and maintenance instructions. Keep the packaging and bags away from children and dispose of all packaging properly before use. Keep this manual for future reference.



**PLEASE DO NOT
RETURN THIS
PRODUCT
TO THE STORE**

We will be happy to correct any problems that you may have, or answer any of your questions regarding the purchase of this product. Please contact us at our Toll Free customer service number 1-800-599-8898 for any assistance and replacement parts. Thank You.

Dist. by TDC USA, Inc. Fairfield, NJ 07004

©2022 All Rights Reserved.

Made in Vietnam

Item 22561

www.tdcusainc.com



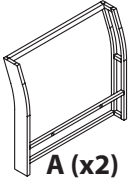
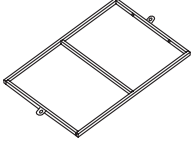
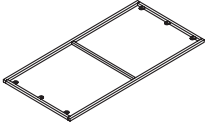
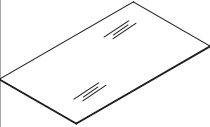
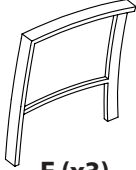
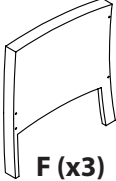
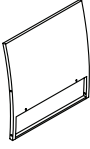
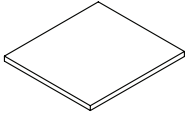
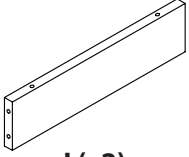
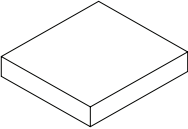
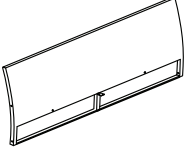
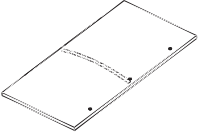
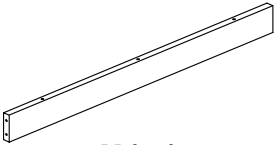
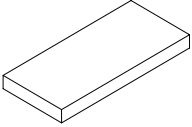



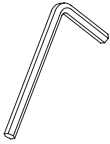
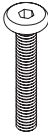
WARNING!

- **Keep all children and pets away from assembly area. Children and pets should be supervised when they are in the area of the product construction.**
- **Some parts may contain sharp edges. When assembling and using this product, basic safety precautions should always be.**
- **Please read all the instructions and warnings before assembling. In order to make the whole product adjust to the best, please install all the screws on the product and tighten all the screws after adjusting the product which can stand on the floor even. Not intended for commercial use.**
- **Check all bolts for tightness before use.**
- **IMPORTANT - check and tighten bolts often to keep them secure**

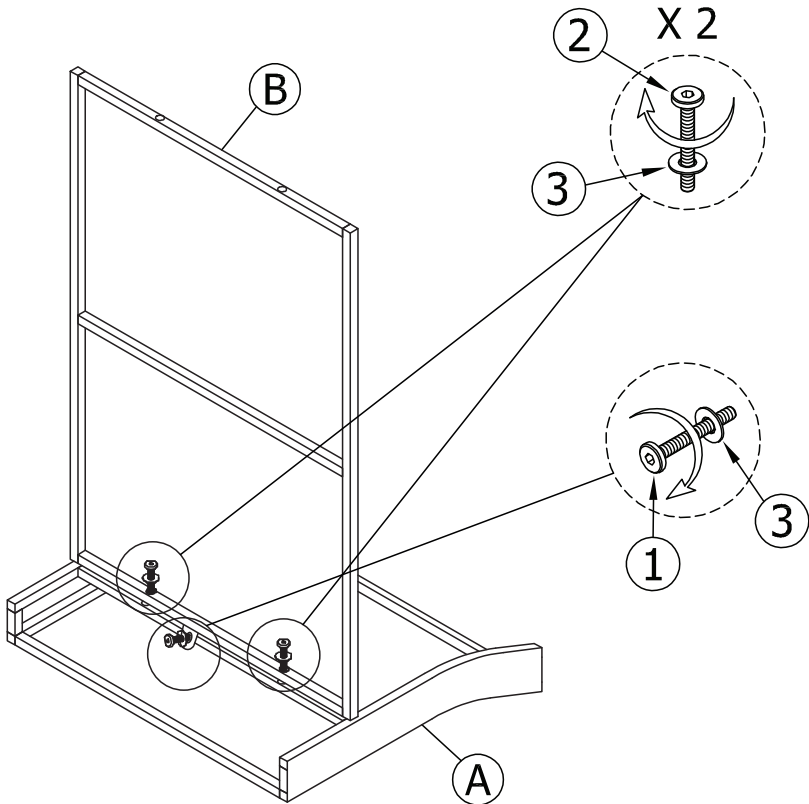
• **CHOKING HAZARD** - Small parts. Not suitable for children under 36 months. The product contains small parts, keep children away when assembling.

• **ADULT ASSEMBLY REQUIRED.**

Always remove protective material and poly bags and dispose before assembly.

 <p>A (x2) Table Leg</p>	 <p>B (x1) Table Shelf</p>	 <p>C (x1) Table Rim</p>		
 <p>D (x1) Glass</p>	 <p>E (x3) Armrest</p>	 <p>F (x3) Armrest</p>		
 <p>G (x2) Chair Back</p>	 <p>H (x2) Chair Seat</p>	 <p>I (x2) Chair Panel</p>		
 <p>J (x2) Chair Cushion</p>	 <p>K (x1) Sofa Back</p>	 <p>L (x1) Sofa Seat</p>		
 <p>M (x1) Sofa Panel</p>		 <p>N (x1) Sofa Cushion</p>		
 <p>1 (x2) M6x15 Bolt</p>	 <p>2 (x20) M6x30 Bolt</p>	 <p>3 (x47) Washer</p>	 <p>4 (x4) Hex Key</p>	 <p>5 (x25) M6x35 Bolt</p>

「 Do not tighten screws down completely
during this portion of assembly. 」



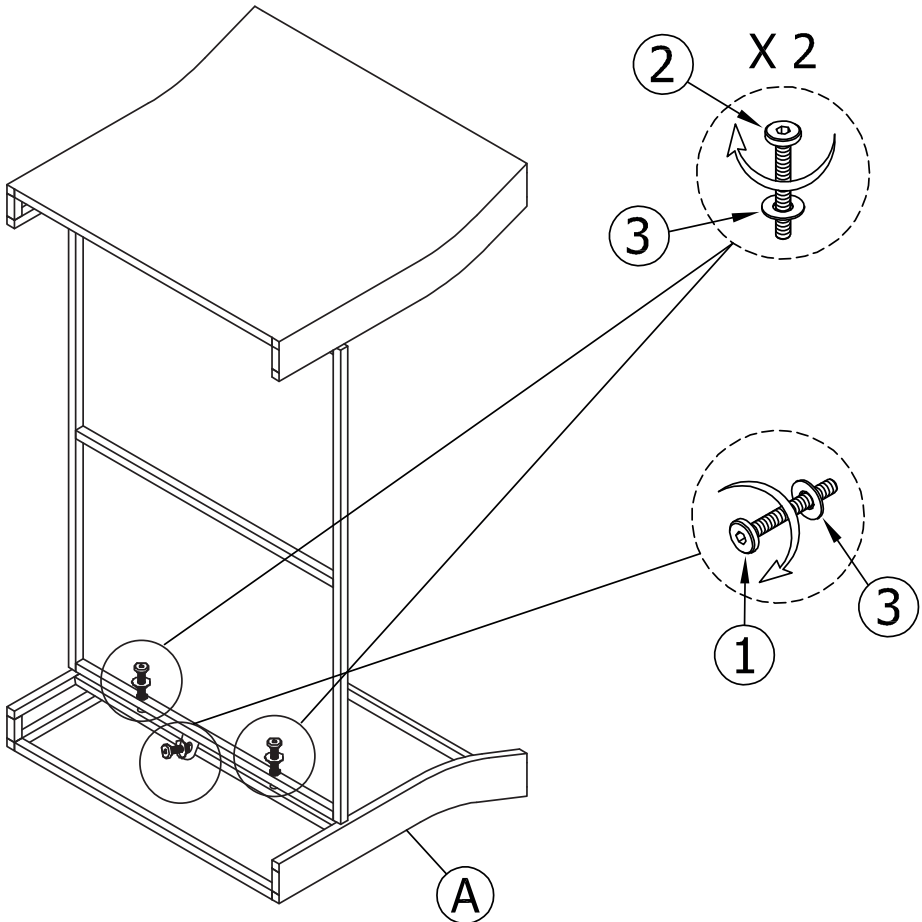
Step 1:

Set one Table Leg (A) on a soft, non-abrasive surface.

Place one end of Table Shelf (B) against it so that the top is facing in the direction of the curved end of Table Leg (A). Insert two M6x30 Bolts (2) with Washers (3) through the eyelets at the end of Table Shelf (B), and into the bolt-threading found on the side of the center bar of Table Leg (A).

Insert one M6x15 Bolt (1) with Washer (3) through bracket at the end of Table Shelf (B), and into the bolt-threading found underneath the center bar of Table Leg (A).

「 Do not tighten screws down completely
during this portion of assembly. 」



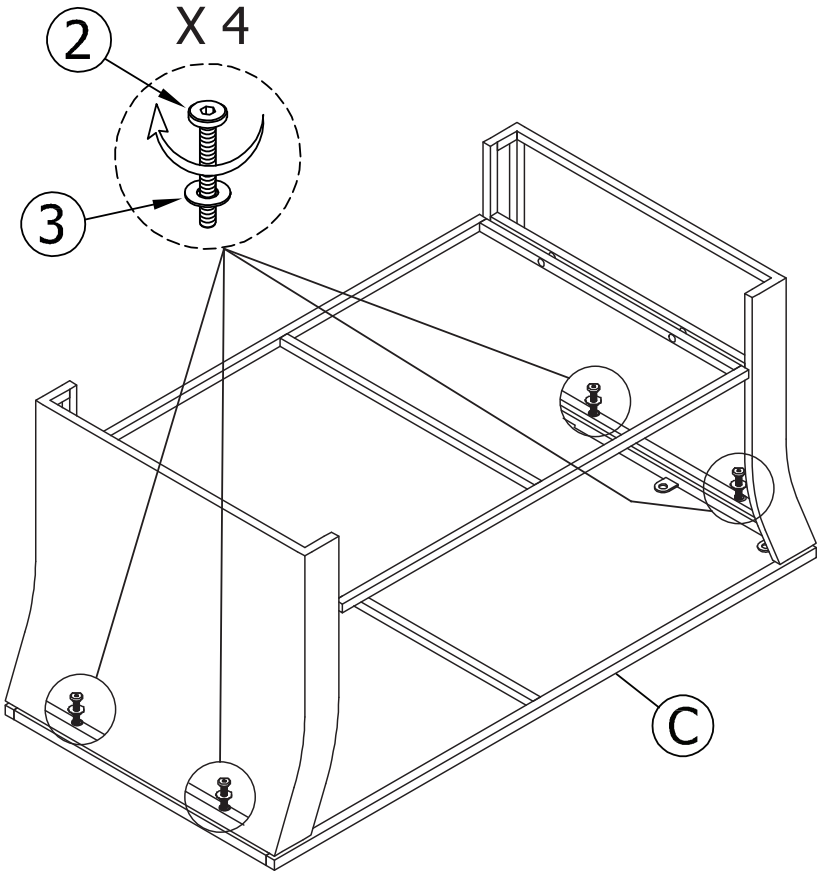
Step 2:

Set the second Table Leg (A) on a soft, non-abrasive surface.

Place opposite end of Table Shelf (B) against it so that the top is facing in the direction of the curved end of Table Leg (A). Insert two M6x30 Bolts (2) with Washers (3) through the eyelets at the end of Table Shelf (B), and into the bolt-threading found on the side of the center bar of Table Leg (A).

Insert one M6x15 Bolt (1) with Washer (3) through bracket at the end of Table Shelf (B), and into the bolt-threading found underneath the center bar of Table Leg (A).

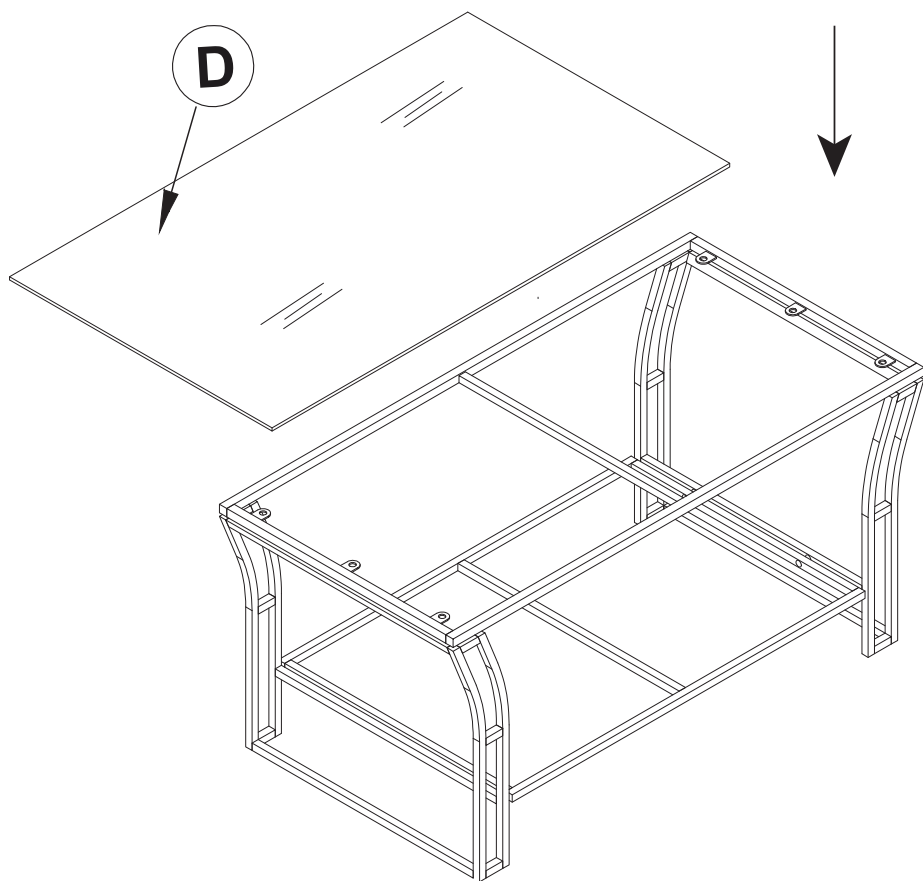
「 Do not tighten screws down completely
during this portion of assembly. 」



Step 3:

Carefully remove Glass (D) from Table Rim (C) and set it aside until assembly is complete. Set Table Rim (C) upside-down on a soft, non-abrasive surface. Place the previously assembled parts on top as illustrated here.

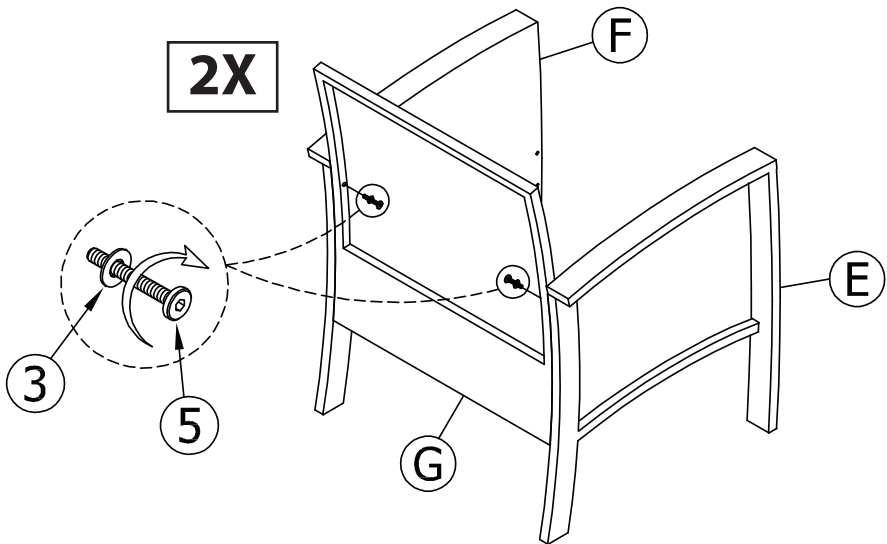
Insert two M6x30 Bolts (2) with Washers (3) through the eyelets at the top of Table Leg (A), and into the bolt-threading found underneath Table Rim (C). Follow this step to connect the second Table Leg (A) to the opposite end of Table Rim (C). **Tighten all bolts left loose throughout assembly process using Hex Key (4).**



Step 4:

Turn table right-side up and carefully set Glass (D) into the center of Table Rim (C). The table is now ready to use.

「 Do not tighten screws down completely
during this portion of assembly. 」

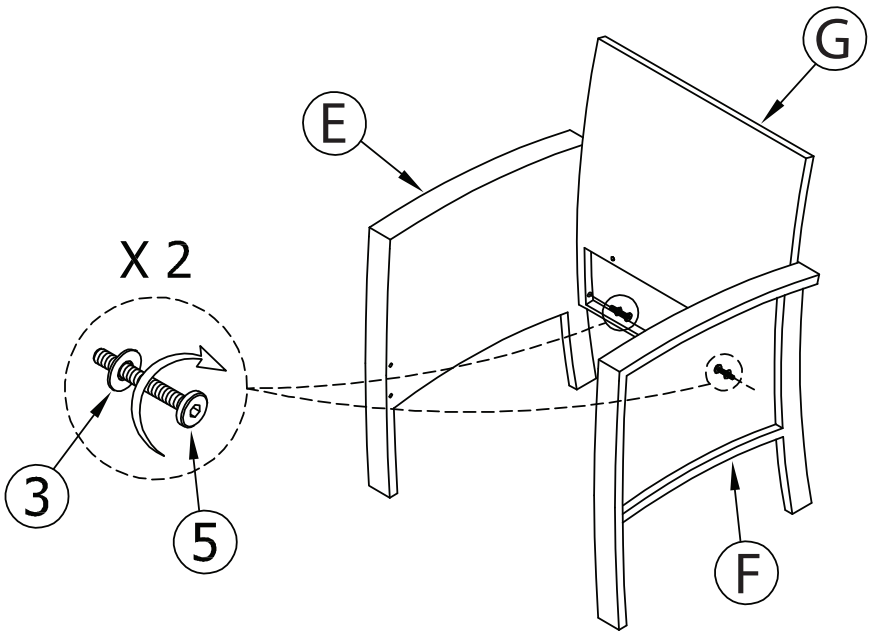


Step 1:

Insert one M6x35 Bolt (5) with Washer (3) through the eyelet on back-right of backside of Chair Back (G), and into the bolt-threading found at the upper back-corner of Armrest (E).

Insert one M6x35 Bolt (5) with Washer (3) through the eyelet on back-left of backside of Chair Back (G), and into the bolt-threading found at the upper back-corner of Armrest (F).

「 Do not tighten screws down completely
during this portion of assembly. 」

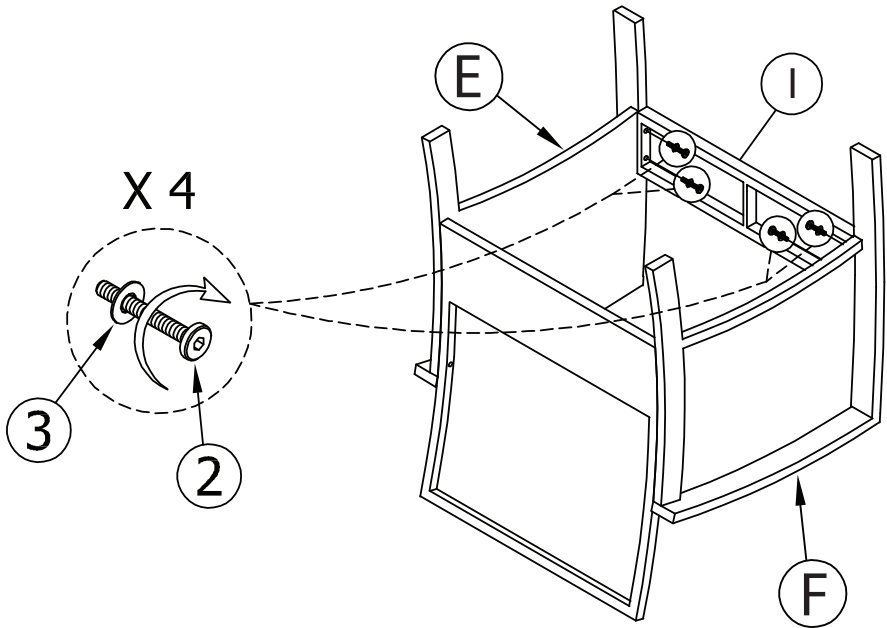


Step 2:

Insert one M6x35 Bolt (5) with Washer (3) through the eyelet found at the bottom-right of frontside of Chair Back (G), and into the bolt-threading found at the back, near leg of Armrest (E).

Insert one M6x35 Bolt (5) with Washer (3) through the eyelet found at the bottom-left of frontside of Chair Back (G), and into the bolt-threading found at the back, near leg of Armrest (F).

「 Do not tighten screws down completely
during this portion of assembly. 」

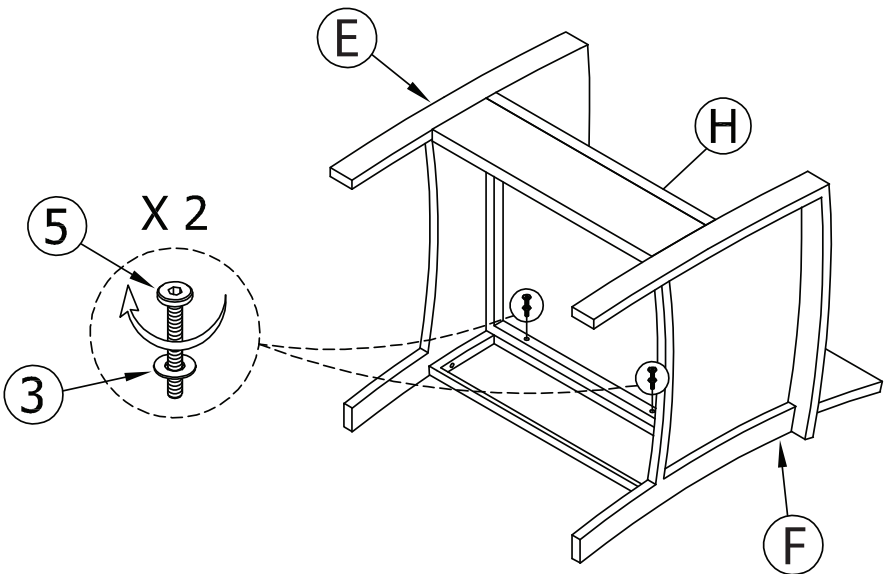


Step 3:

Carefully turn the chair upside down as illustrated here. Insert two M6x30 Bolts (2) with Washers (3) through eyelets at one end of Chair Panel (I), and into the bolt-threading found at the frontend, by front leg of Armrest (E).

Insert two M6x30 Bolts (2) with Washers (3) through eyelets at opposite end of Chair Panel (I), and into the bolt-threading found at the frontend, by front leg of Armrest (F).

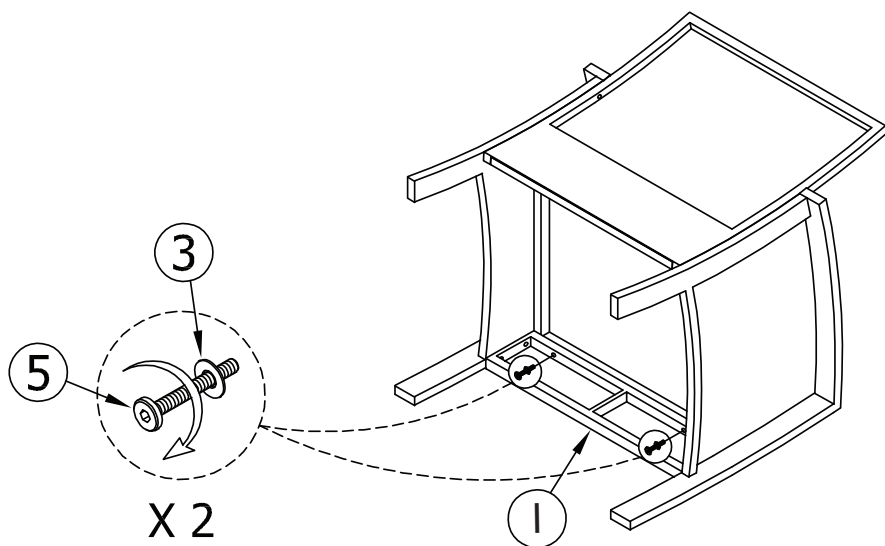
「 Do not tighten screws down completely
during this portion of assembly. 」



Step 4:

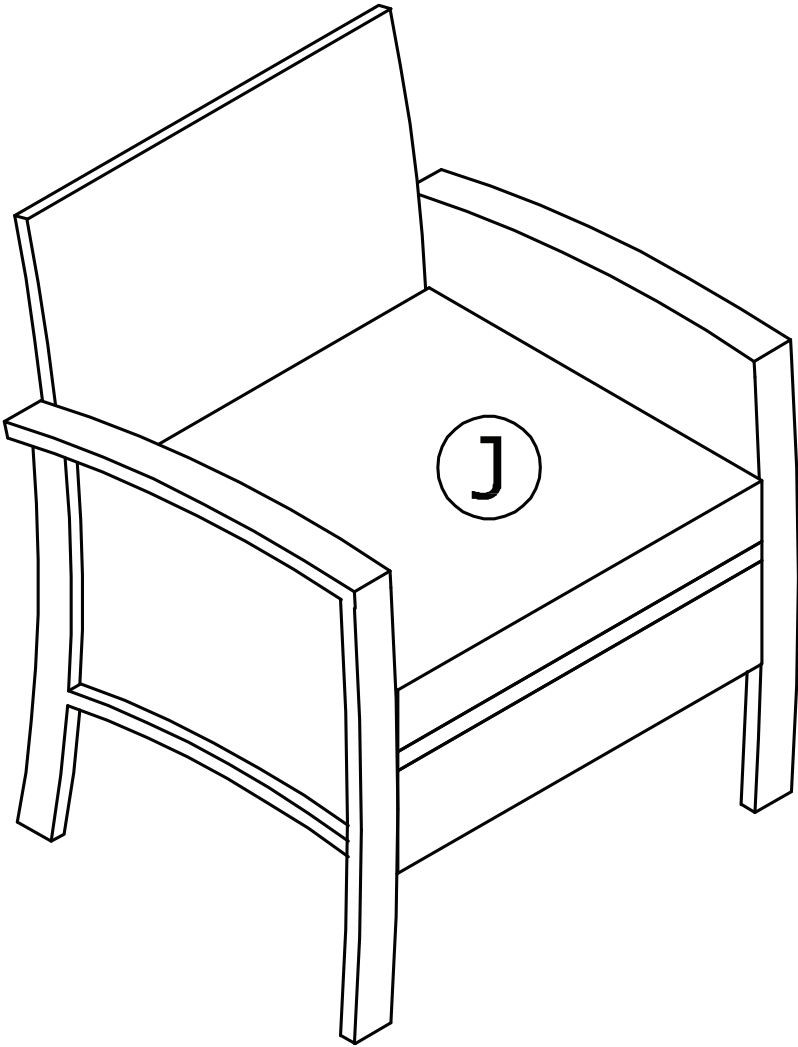
Carefully set chair on its back as illustrated here. Place Chair Seat (H) in between both armrests, and on top of Chair Panel (I). Insert two M6x35 Bolts (5) with Washers (3) through eyelets found underneath back end of frame of Chair Seat (H), and into bolt-threading found on front side of Chair Back (G).

「 Do not tighten screws down completely
during this portion of assembly. 」



Step 5:

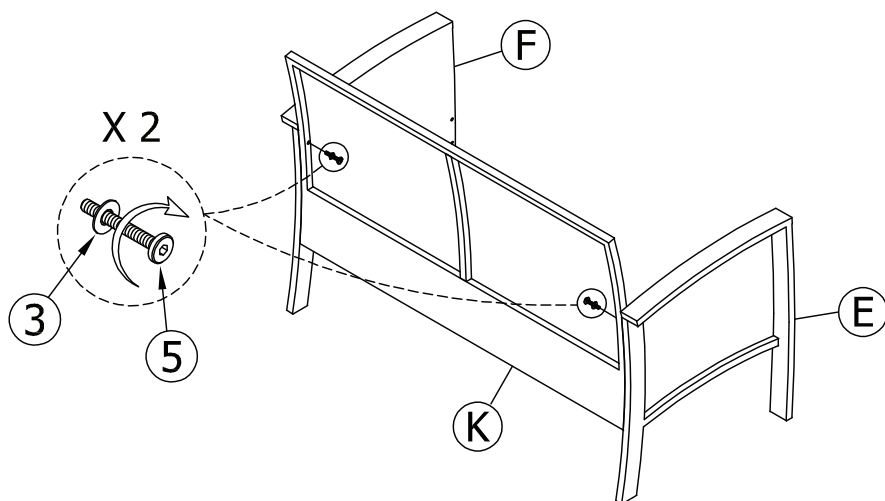
Insert two M6x35 Bolts (5) with Washers (3) through eyelets at the top of Chair Panel (I), and into the bolt-threading found underneath front end of Chair Seat (H). **Tighten all bolts left loose through assembly process using Hex Key (4).**



Step 6:

Carefully turn chair right-side up, and set a Chair Cushion (J) over Chair Seat (H). The chair is now ready to use.

「 Do not tighten screws down completely
during this portion of assembly. 」

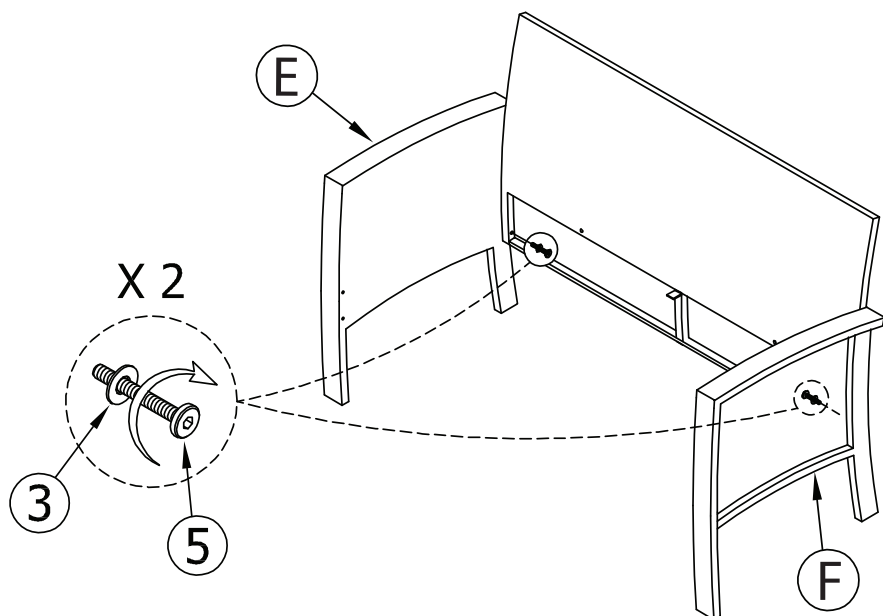


Step 1:

Insert one M6x35 Bolt (5) with Washer (3) through the eyelet on back-right of backside of Sofa Back (K), and into the bolt-threading found at the upper back-corner of Armrest (E).

Insert one M6x35 Bolt (5) with Washer (3) through the eyelet on back-left of backside of Sofa Back (K), and into the bolt-threading found at the upper back-corner of Armrest (F).

「 Do not tighten screws down completely
during this portion of assembly. 」

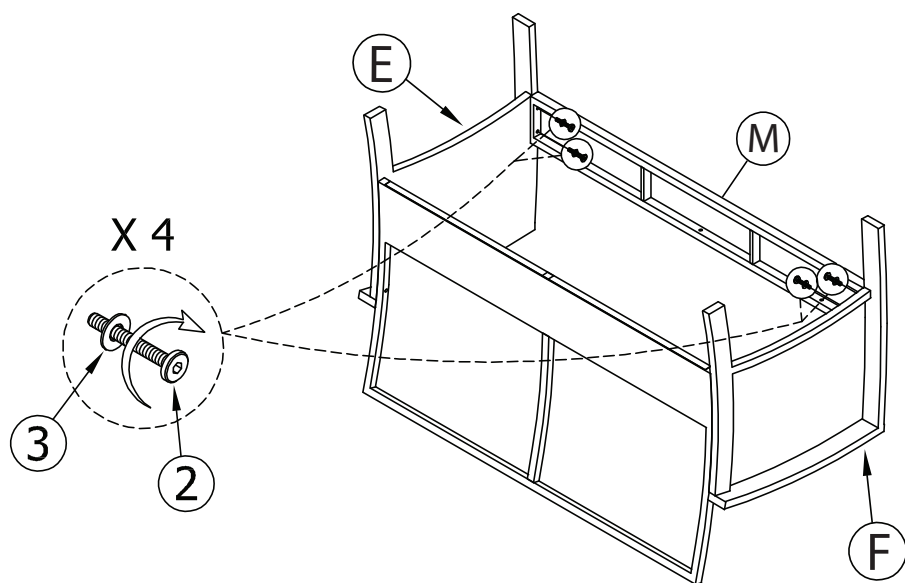


Step 2:

Insert one M6x35 Bolt (5) with Washer (3) through the eyelet found at the bottom-right of frontside of Sofa Back (K), and into the bolt-threading found at the back, near leg of Armrest (E).

Insert one M6x35 Bolt (5) with Washer (3) through the eyelet found at the bottom-left of frontside of Sofa Back (K), and into the bolt-threading found at the back, near leg of Armrest (F).

「 Do not tighten screws down completely
during this portion of assembly. 」

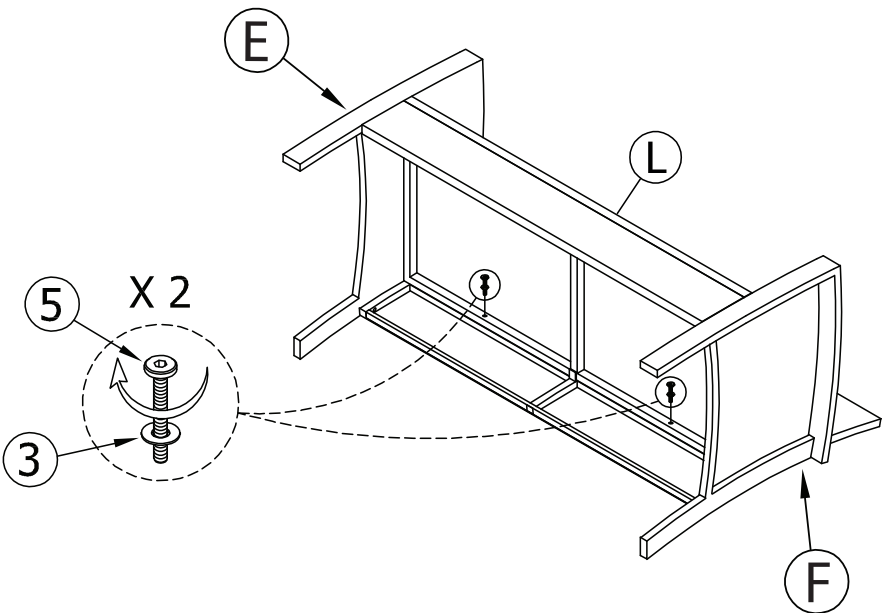


Step 3:

Carefully turn the sofa upside down as illustrated here. Insert two M6x30 Bolts (2) with Washers (3) through eyelets at one end of Sofa Panel (M), and into the bolt-threading found at the frontend, by front leg of Armrest (E).

Insert two M6x30 Bolts (2) with Washers (3) through eyelets at opposite end of Sofa Panel (M), and into the bolt-threading found at the frontend, by front leg of Armrest (F).

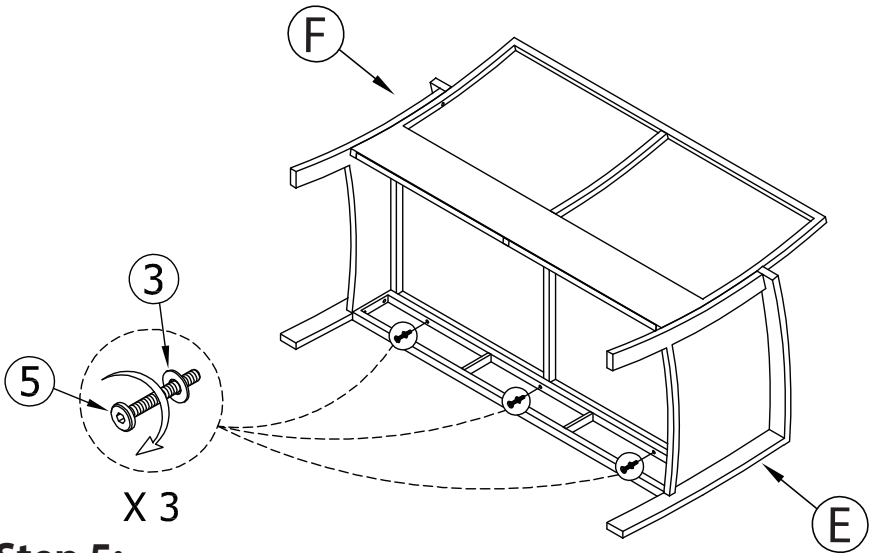
「 Do not tighten screws down completely
during this portion of assembly. 」



Step 4:

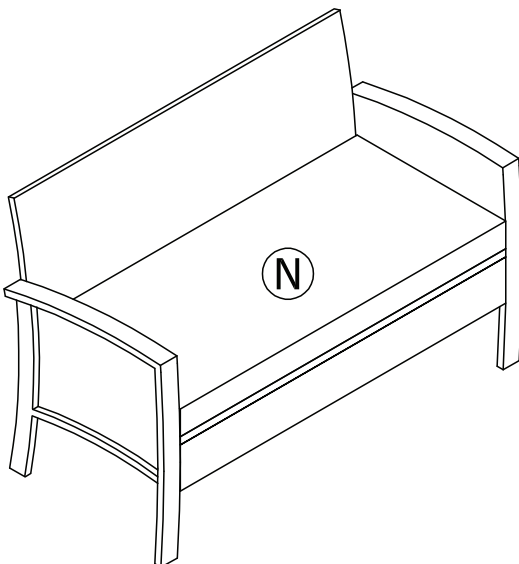
Carefully set sofa on its back as illustrated here. Place Sofa Seat (L) in between both armrests, and on top of Sofa Panel (M). Insert two M6x35 Bolts (5) with Washers (3) through eyelets found underneath back end of frame of Sofa Seat (L), and into bolt-threading found on front side of Sofa Back (K).

「 Do not tighten screws down completely
during this portion of assembly. 」



Step 5:

Insert three M6x35 Bolts (5) with Washers (3) through eyelets at the top of Sofa Panel (M), and into the bolt-threading found underneath front end of Sofa Seat (L).
Tighten all bolts left loose through assembly process using Hex Key (4).



Step 6:

Carefully turn sofa right-side up, and set Sofa Cushion (N) over Sofa Seat (L).. The sofa is now ready to use.

LIMITED WARRANTY

Please contact our service hot-line by phone, email, or fax before sending the device. This allows us to provide support in the event of possible operator errors.

All furniture manufactured and sold by TDC USA, Inc. is warranted to the original purchaser against defects in workmanship and materials. If a product manufactured by TDC fails during the first year from date of purchase under the terms of our limited warranty, TDC will replace the item at no charge. After one year, it will be the original purchaser's responsibility to pay for freight and packing. TDC reserves the right, in the case of discontinued or out of production models, to replace with an item of similar quality. (Glass breakage is not warranted.)

NOTE: You must retain original receipt to obtain warranty!

FRAMES:

Frames are warranted against defects in materials and workmanship from the date of original purchase. Damage to frames or welds due to commercial use, improper assembly, exposure to water and sub-freezing temperatures, and/or abuse are not covered.

FABRIC:

Fabric on cushions, slings, and umbrellas is warranted against separation at the seams. Fading, mildew, and/or discoloration due to exposure to elements, chemicals, and spills are not covered.

POWDER COAT AND/OR PAINT:

The finish is warranted against blistering, peeling, or cracking. Fading resulting from exposure to the elements, chemicals, and spills are not covered. Scratches and chips due to normal wear and use are not covered.

FREIGHT & PACKING:

TDC will be responsible for shipping, handling, and packaging charges for all valid warranty claims.

CARE & MAINTENANCE:

Be careful to never allow water build up in frames as this will cause corrosion and freeze damage in cold climates. Wash all frames with a solution of mild soap and water. Rinse with clean water and dry with a soft absorbent cloth towel. Frames can be treated with a liquid wax for maximum protection against UV rays and/or salty damp air. If your set includes cushions, slings, and/or an umbrella, they may be cleaned by hand with a solution of soap and water with a clean water rinse.

LIMITED WARRANTY EXCLUSIONS:

- Damage caused by acts of nature
- Wind damage
- Failure caused by unreasonable, unanticipated, or abusive use
- Failure caused by a lack of reasonable and necessary care and maintenance
- Normal fade of fabrics, upholstery, or woven materials
- Glass table tops
- Bursting or cracking of tubing due to exposure to water and freezing temperatures
- Changes in wood color due to the natural aging of the wood

Lack of original receipt will void warranty

Customer Service:

Monday - Friday • 9:00 am - 5:00 pm

Phone: 800-599-8898

Email: support@tdcusainc.com

Wicker Patio Conversation Set

Dist. by TDC USA, Inc. Fairfield, NJ 07004
©2022 All Rights Reserved. Made in Vietnam.
Item #22561

Questions and Comments
1-800-599-8898 (9 am - 5 pm EST)
www.tdcusainc.com