

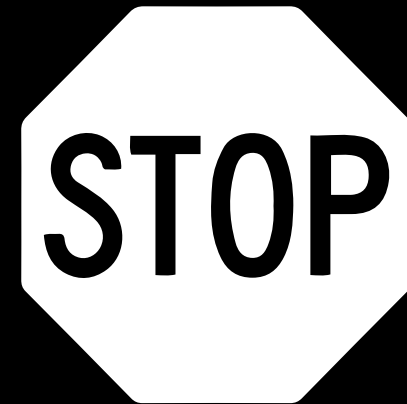
4 Piece Sling Conversation Set



Assembly Instructions

Made in China

The owner's manual contains important safety information as well as assembly, use and maintenance instructions. Keep the packaging and bags away from children and dispose of all packaging properly before use. Keep this manual for future reference.



**PLEASE DO NOT
RETURN THIS
PRODUCT
TO THE STORE**

We will be happy to correct any problems that you may have, or answer any of your questions regarding the purchase of this product. Please contact us at our Toll Free customer service number 1-800-599-8898 for any assistance and replacement parts. Thank You.



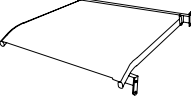
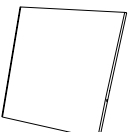
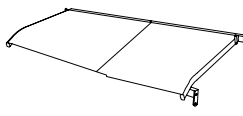
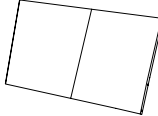
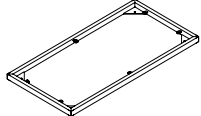
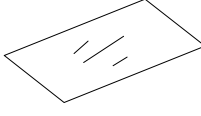
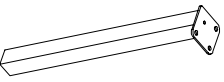

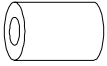
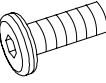
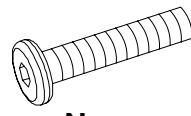
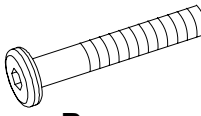
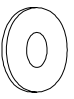

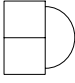
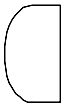



Dist. by TDC USA, Inc. Fairfield, NJ 07004
©2020 All Rights Reserved.
Made in China
Item 22504
www.tdcusainc.com

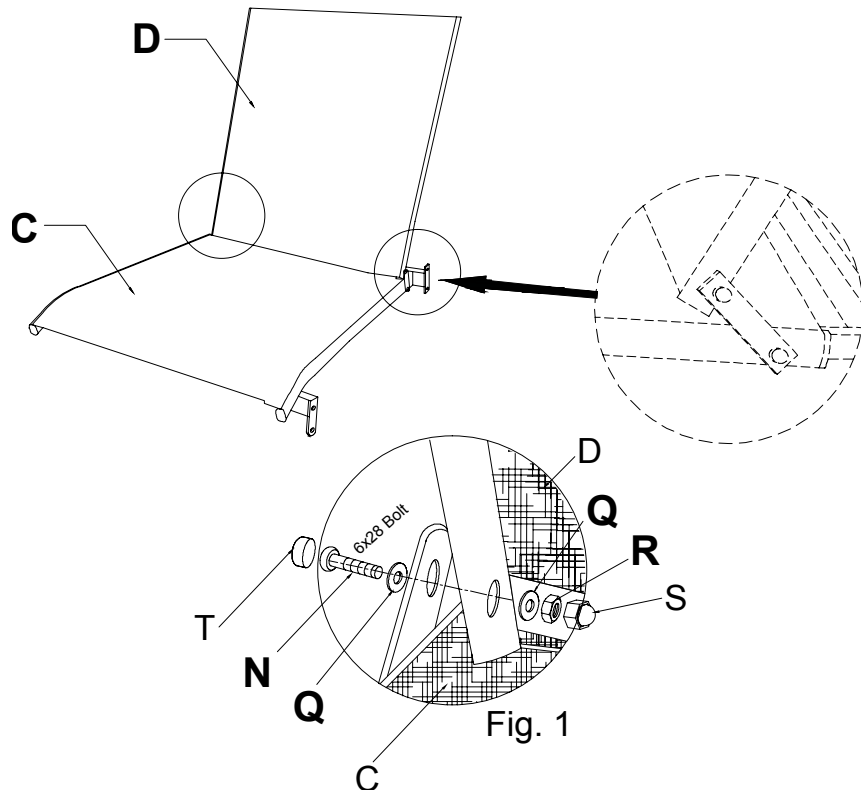
 **WARNING!**

- Keep all children and pets away from assembly area. Children and pets should be supervised when they are in the area of the product construction.
- Some parts may contain sharp edges. When assembling and using this product, basic safety precautions should always be.
- Please read all the instructions and warnings before assembling. In order to make the whole product adjust to the best, please install all the screws on the product and tighten all the screws after adjusting the product which can stand on the floor even. Not intended for commercial use.
- Check all bolts for tightness before use.
- **IMPORTANT** - check and tighten bolts often to keep them secure

• **CHOKING HAZARD** - Small parts. Not suitable for children under 36 months. The product contains small parts, keep children away when assembling.

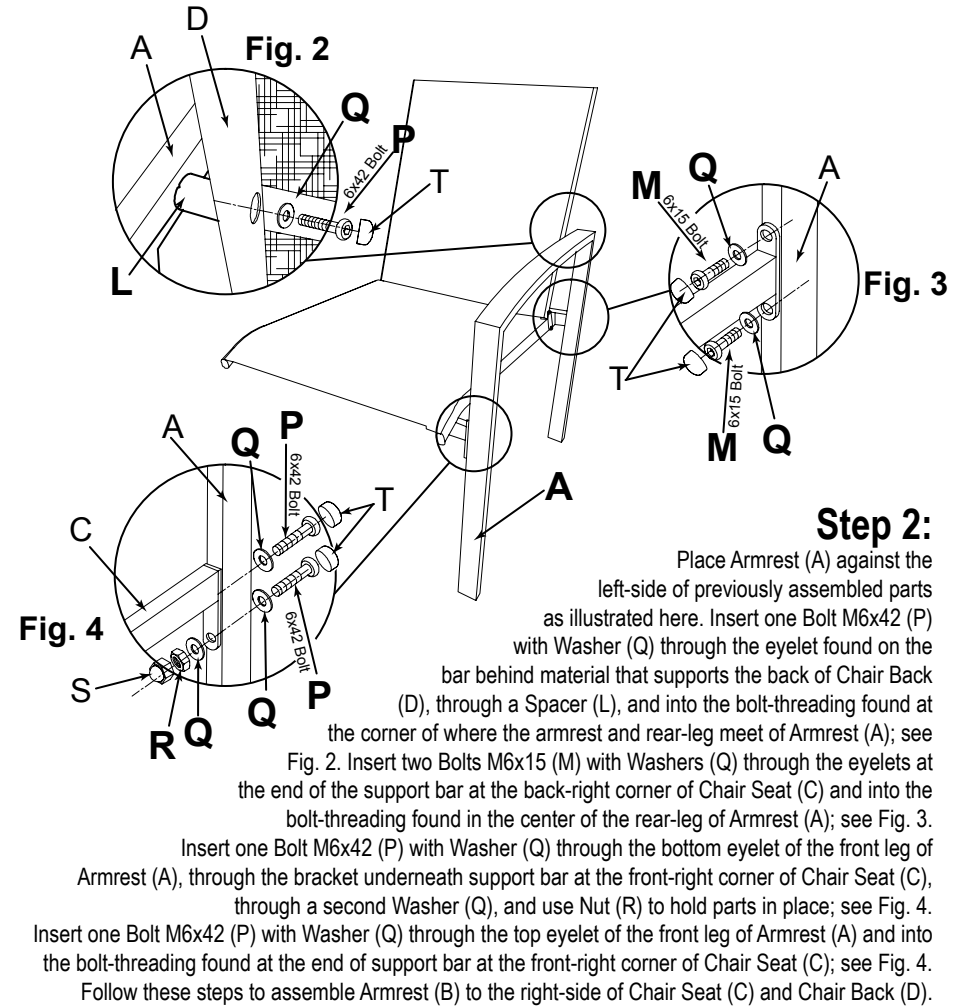
• **ADULT ASSEMBLY REQUIRED.**
Always remove protective material and poly bags and dispose before assembly.

 <p>A (x3) Armrest</p>	 <p>B (x3) Armrest</p>	 <p>C (x2) Chair Seat</p>
 <p>D (x2) Chair Back</p>	 <p>E (x1) Sofa Seat</p>	 <p>F (x1) Sofa Back</p>
 <p>G (x1) Table</p>	 <p>H (x1) Glass</p>	 <p>J (x4) Table Leg</p>
 <p>K (x1) Support</p>	 <p>L (x6) Spacer</p>	 <p>M (x26) M6x15 Bolt</p>
 <p>N (x6) M6x28 Bolt</p>	 <p>P (x18) M6x42 Bolt</p>	 <p>Q (x66) Washer</p>
 <p>R (x16) Nut</p>	 <p>S (x16) Cap</p>	 <p>T (x50) Cover</p>
 <p>U (x4) Spring Washer</p>	 <p>V (x1) Hex Key</p>	 <p>W (x1) Wrench</p>



Step 1:

Insert one Bolt M6x28 (N) with Washer (Q) through bracket found at the back-left corner of Chair Seat (C), through eyelet found at the bottom-left of Chair Back (D), through a second Washer (Q), and use Nut (R) to hold parts in place; see Fig. 1. Do not tighten bolts all the way until all parts have been assembled. Follow these steps to secure the right-side of Chair Seat (C) to Chair Back (D).

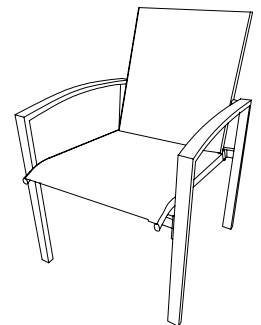


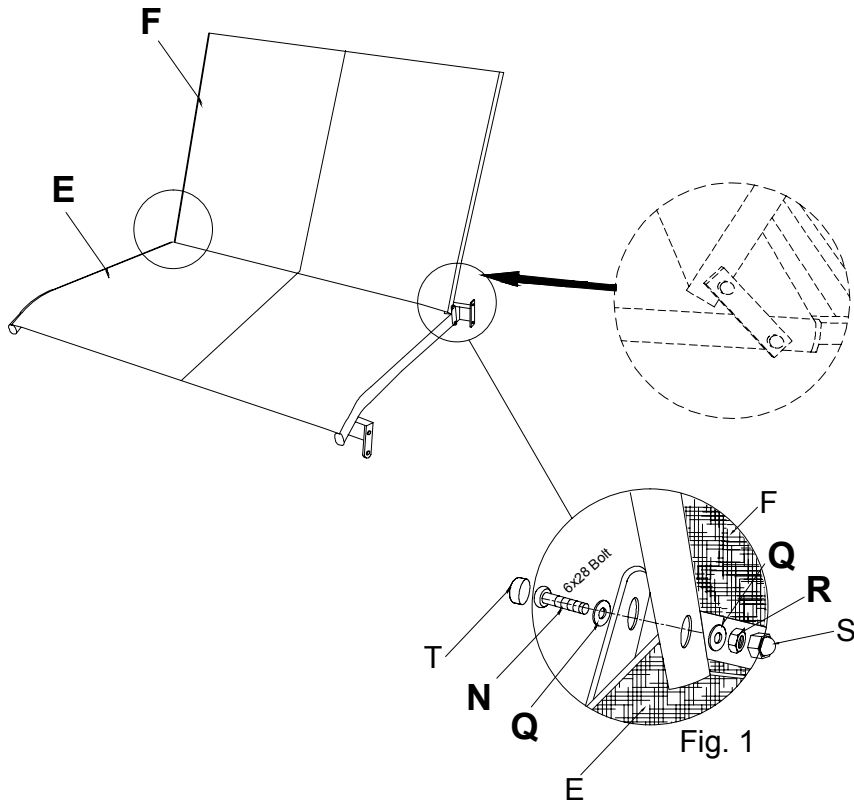
Step 2:

Place Armrest (A) against the left-side of previously assembled parts as illustrated here. Insert one Bolt M6x42 (P) with Washer (Q) through the eyelet found on the bar behind material that supports the back of Chair Back (D), through a Spacer (L), and into the bolt-threading found at the corner of where the armrest and rear-leg meet of Armrest (A); see Fig. 2. Insert two Bolts M6x15 (M) with Washers (Q) through the eyelets at the end of the support bar at the back-right corner of Chair Seat (C) and into the bolt-threading found in the center of the rear-leg of Armrest (A); see Fig. 3. Insert one Bolt M6x42 (P) with Washer (Q) through the bottom eyelet of the front leg of Armrest (A), through the bracket underneath support bar at the front-right corner of Chair Seat (C), through a second Washer (Q), and use Nut (R) to hold parts in place; see Fig. 4. Insert one Bolt M6x42 (P) with Washer (Q) through the top eyelet of the front leg of Armrest (A) and into the bolt-threading found at the end of support bar at the front-right corner of Chair Seat (C); see Fig. 4. Follow these steps to assemble Armrest (B) to the right-side of Chair Seat (C) and Chair Back (D).

Step 3:

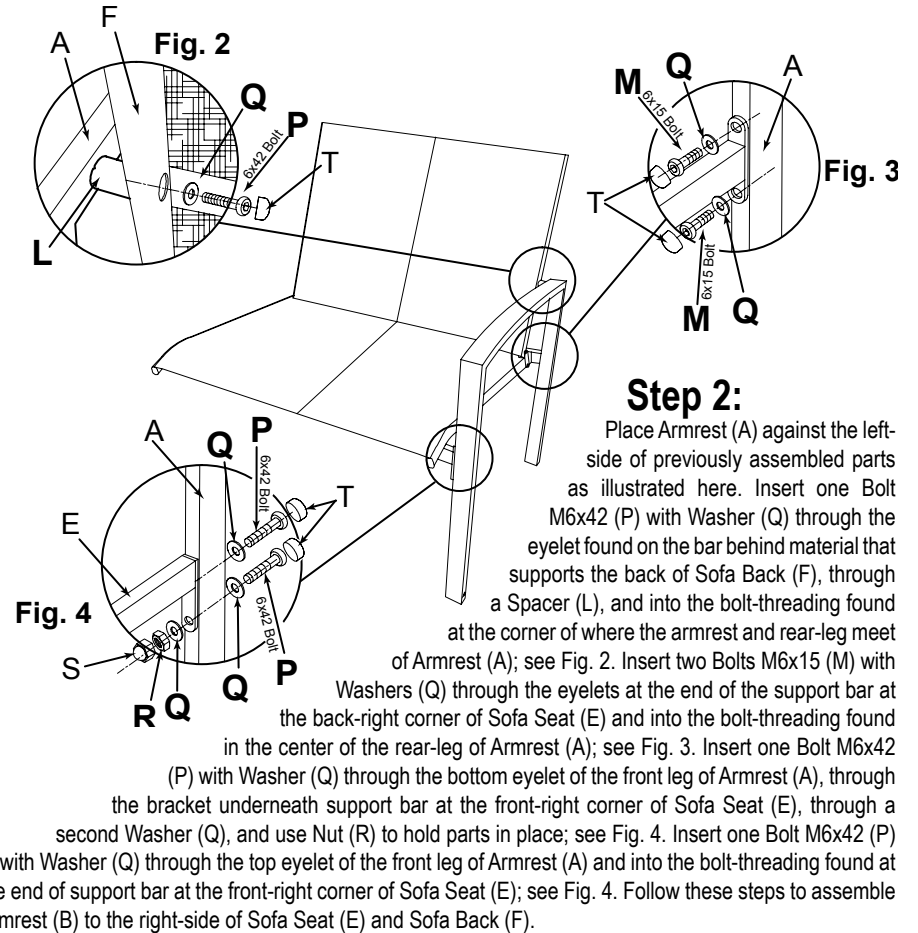
Tighten all bolts left loose throughout assembly process using Hex Key (V) and Wrench (W). Place Covers (T) over each bolthead and Caps (S) over each nut used during assembly process. Follow these steps to assemble the second chair for this set.





Step 1:

Insert one Bolt M6x28 (N) with Washer (Q) through bracket found at the back-left corner of Sofa Seat (E), through eyelet found at the bottom-left of Sofa Back (F), through a second Washer (Q), and use Nut (R) to hold parts in place; see Fig. 1. Do not tighten bolts all the way until all parts have been assembled. Follow these steps to secure the right-side of Sofa Seat (E) to Sofa Back (F).

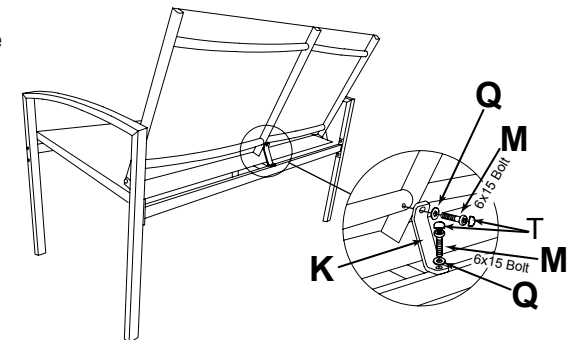


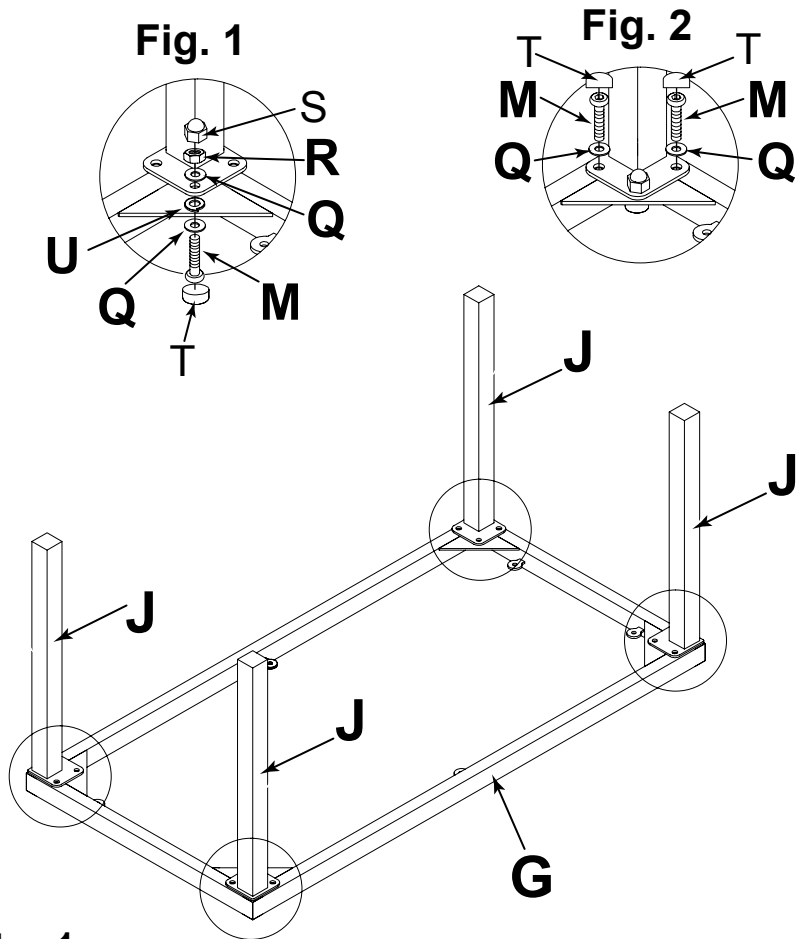
Step 2:

Place Armrest (A) against the left-side of previously assembled parts as illustrated here. Insert one Bolt M6x42 (P) with Washer (Q) through the eyelet found on the bar behind material that supports the back of Sofa Back (F), through a Spacer (L), and into the bolt-threading found at the corner of where the armrest and rear-leg meet of Armrest (A); see Fig. 2. Insert two Bolts M6x15 (M) with Washers (Q) through the eyelets at the end of the support bar at the back-right corner of Sofa Seat (E) and into the bolt-threading found in the center of the rear-leg of Armrest (A); see Fig. 3. Insert one Bolt M6x42 (P) with Washer (Q) through the bottom eyelet of the front leg of Armrest (A), through the bracket underneath support bar at the front-right corner of Sofa Seat (E), through a second Washer (Q), and use Nut (R) to hold parts in place; see Fig. 4. Insert one Bolt M6x42 (P) with Washer (Q) through the top eyelet of the front leg of Armrest (A) and into the bolt-threading found at the end of support bar at the front-right corner of Sofa Seat (E); see Fig. 4. Follow these steps to assemble Armrest (B) to the right-side of Sofa Seat (E) and Sofa Back (F).

Step 3:

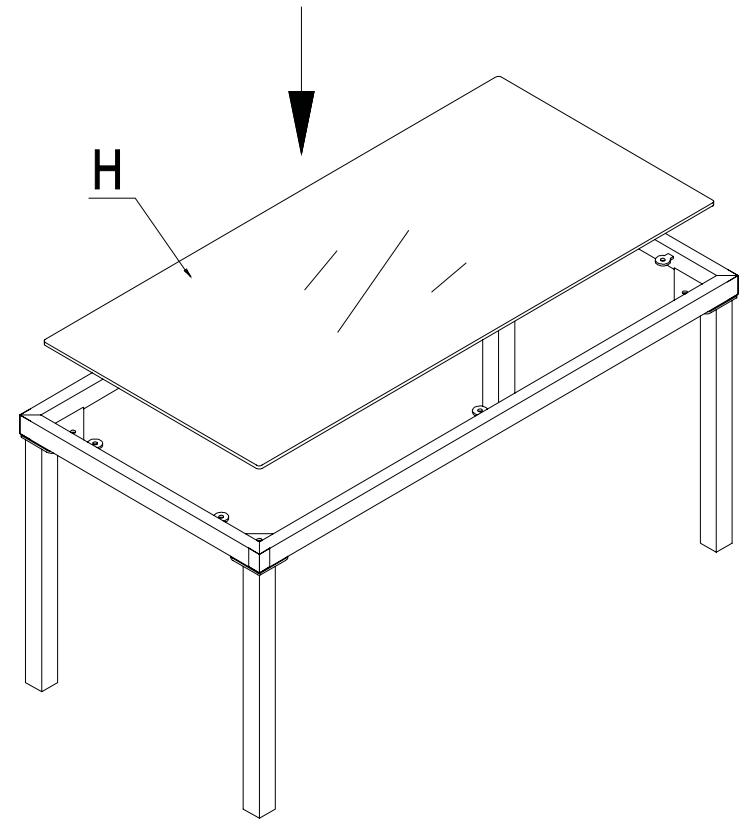
Place Support (K) behind the previously assembled sofa seat as illustrated here. Insert one Bolt M6x15 (M) with Washer (Q) through one end of Support (K) and into the bolt-threading found on the horizontal bar behind fabric of Sofa Back (F). Insert one Bolt M6x15 (M) with Washer (Q) through opposite end of Support (K) and into back supporting bar of Sofa Seat (E). Tighten all bolts left loose throughout assembly process using Hex Key (V) and Wrench (W). Place Covers (T) over each bolthead and Caps (S) over each nut used during assembly process.





Step 1:

Cut the straps that secure the Glass (H) to the table rim and carefully remove the glass and set it aside. Set the Table (G) upside-down on a soft, non-abrasive surface. Place a Table Leg (J) at a corner of table rim of Table (G) as illustrated here. Insert one Bolt M6x15 (M) with Washer (Q) through corner-bracket of table rim, through a Spring Washer (U), through the center eyelet at the top of Table Leg (J), through a second Washer (Q), and use Nut (R) to hold parts in place; see Fig. 1. Insert two Bolts M6x15 (M) with Washers (Q) through the remaining eyelets at the top of Table Leg (J) and into the bolt-threading found at the corner of the rim of Table (G); see Fig. 2. Tighten all three Bolts M6x15 (M) using Hex Key (V) and Wrench (W). Place Covers (T) over each bolthead and Cap (S) over the single nut used during assembly process. Follow these steps to assemble remaining Table Legs (J) to corners of Table (G).



Step 2:

Turn the assembled table right-side up. Carefully set the Glass (H) within the center of the table rim.

4 Piece Sling Conversation Set

Dist. by TDC USA, Inc. Fairfield, NJ 07004
©2020 All Rights Reserved. Made in China.
Item #22504

Questions and Comments
1-800-599-8898 (9 am - 5 pm EST)
www.tdcusainc.com