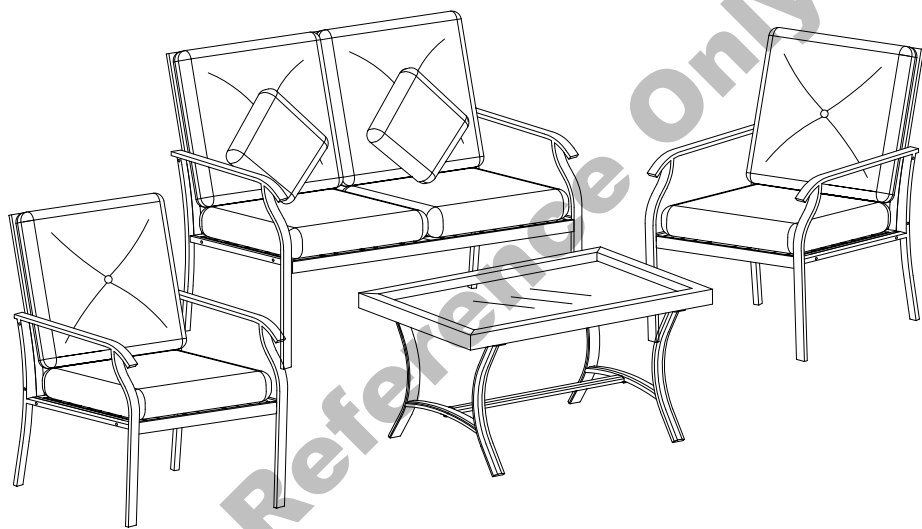


4 Piece Sofa Set

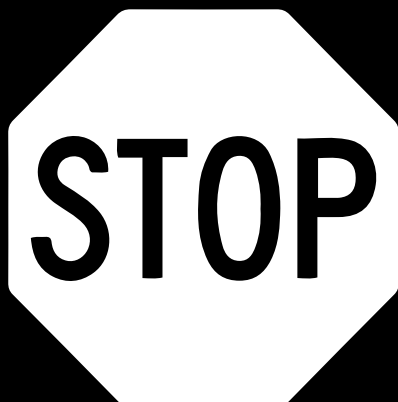
Steel Frame with Powder Coating



Assembly Instructions

Made in China

The owner's manual contains important safety information as well as assembly, use and maintenance instructions. Keep the packaging and bags away from children and dispose of all packaging properly before use. Keep this manual for future reference.



**PLEASE DO NOT
RETURN THIS
PRODUCT
TO THE STORE**

We will be happy to correct any problems that you may have, or answer any of your questions regarding the purchase of this product. Please contact us at our Toll Free customer service number 1-800-599-8898 for any assistance and replacement parts. Thank You.

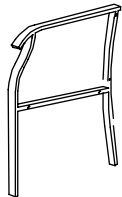
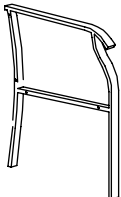
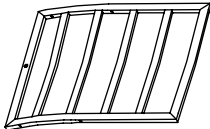
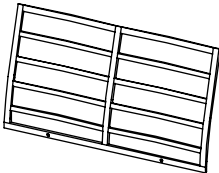
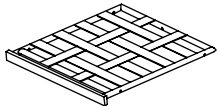
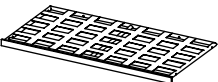

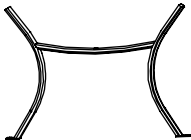
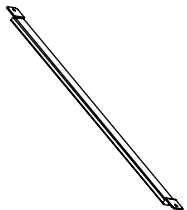
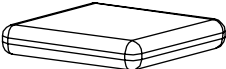
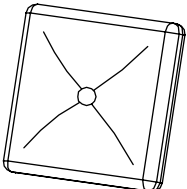
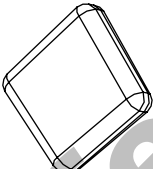
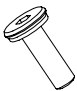
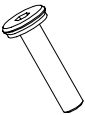
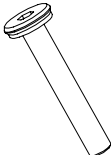

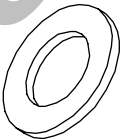
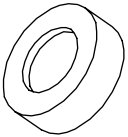
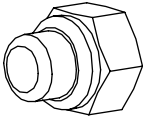
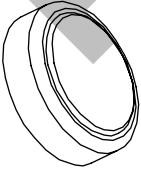

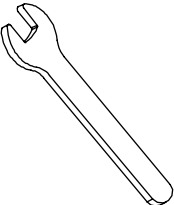
Dist. by TDC USA, Inc. Fairfield, NJ 07004
©2023 All Rights Reserved.
Made in China
Item 21637
www.tdcusainc.com

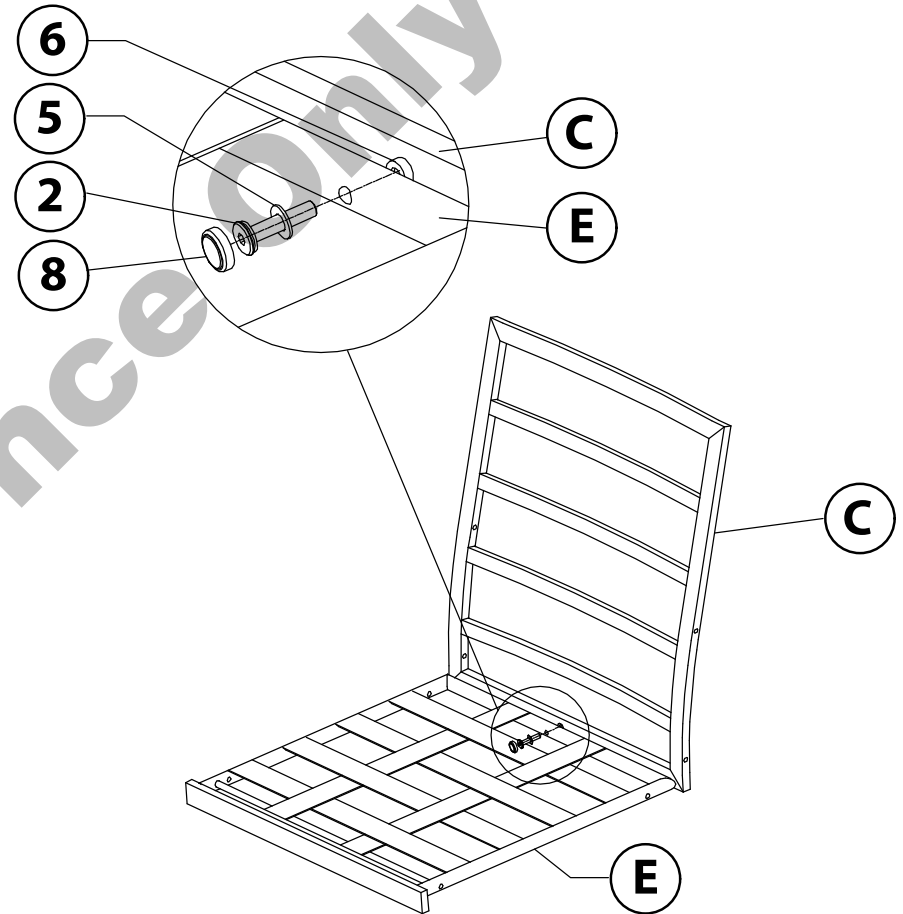
⚠ WARNING!

- Keep all children and pets away from assembly area. Children and pets should be supervised when they are in the area of the product construction.
- Some parts may contain sharp edges. When assembling and using this product, basic safety precautions should always be.
- Please read all the instructions and warnings before assembling. In order to make the whole product adjust to the best, please install all the screws on the product and tighten all the screws after adjusting the product which can stand on the floor even. Not intended for commercial use.
- Check all bolts for tightness before use.
- **IMPORTANT** - check and tighten bolts often to keep them secure

• **CHOKING HAZARD** - Small parts. Not suitable for children under 36 months. The product contains small parts, keep children away when assembling.

• **ADULT ASSEMBLY REQUIRED.**
Always remove protective material and poly bags and dispose before assembly.

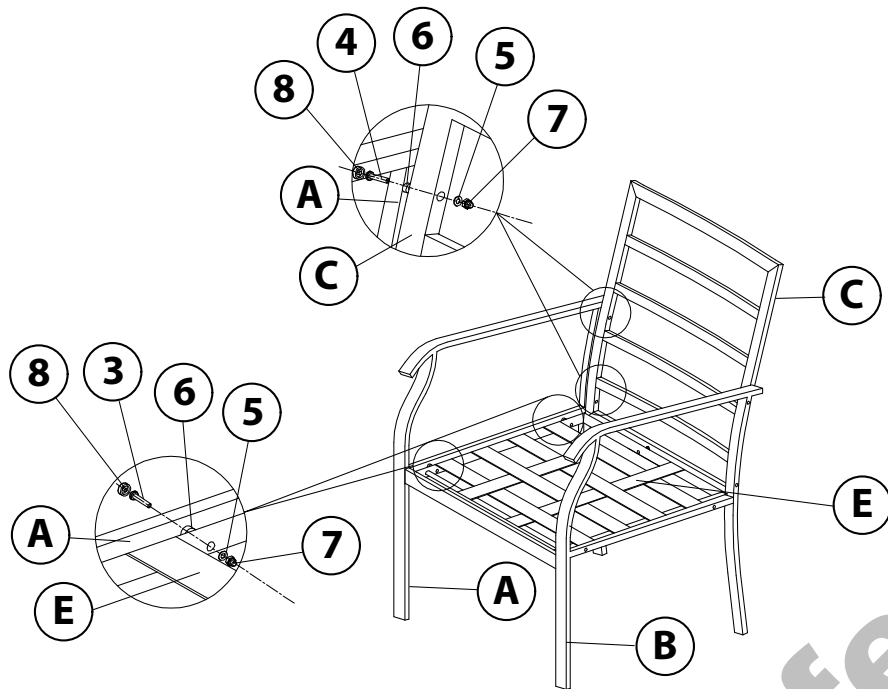
				
A (x3) Left Armrest	B (x3) Right Armrest	C (x2) Chair Back	D (x1) Sofa Back	
				
E (x2) Chair Seat	F (x1) Sofa Seat	G (x1) Table	H (x2) Table Legs	
				
I (x1) Support	J (x4) Seat Cushion	K (x4) Back Cushion	L (x2) Throw Pillow	
				
1 (x10) M6x15 Bolt	2 (x4) M6x40 Bolt	3 (x12) M6x65 Bolt	4 (x12) M6x70 Bolt	5 (x8) Washer
				
6 (x28) Spacer	7 (x24) Nut	8 (x38) Cap	9 (x1) Hex Key	10 (x1) Wrench



Step 1:

Bring Chair Back (C) and Chair Seat (E) together as illustrated here.

Insert one M6x40 Bolt (2) with Washer (5) through the back eyelet underneath Chair Seat (E), and into the bolt-threading found at the bottom of Chair Back (C). **Do not tighten bolts down until you have completed Step 2 of assembly of this chair.**



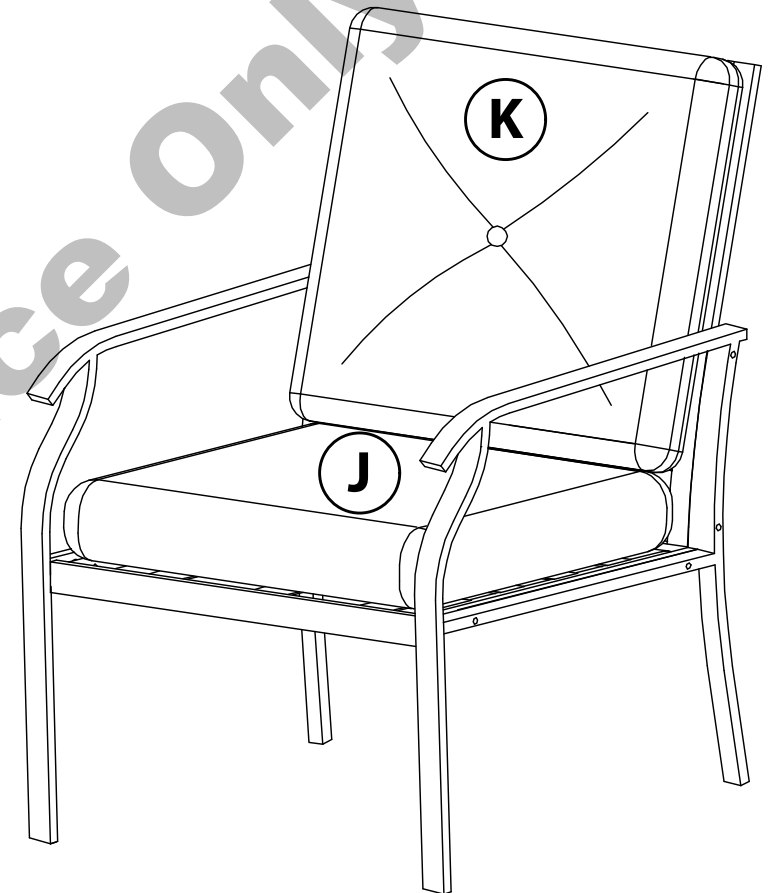
Step 2:

Place Left Armrest (A) on the left side of previously assembled parts as illustrated here.

Insert two M6x70 Bolts (4) through the eyelets on the back leg of Left Armrest (A), place a Spacer (6) on each bolt, through the eyelets on the left side of Chair Back (C), place a Washer (5) on each bolt, and place a Nut (7) on each to hold parts together.

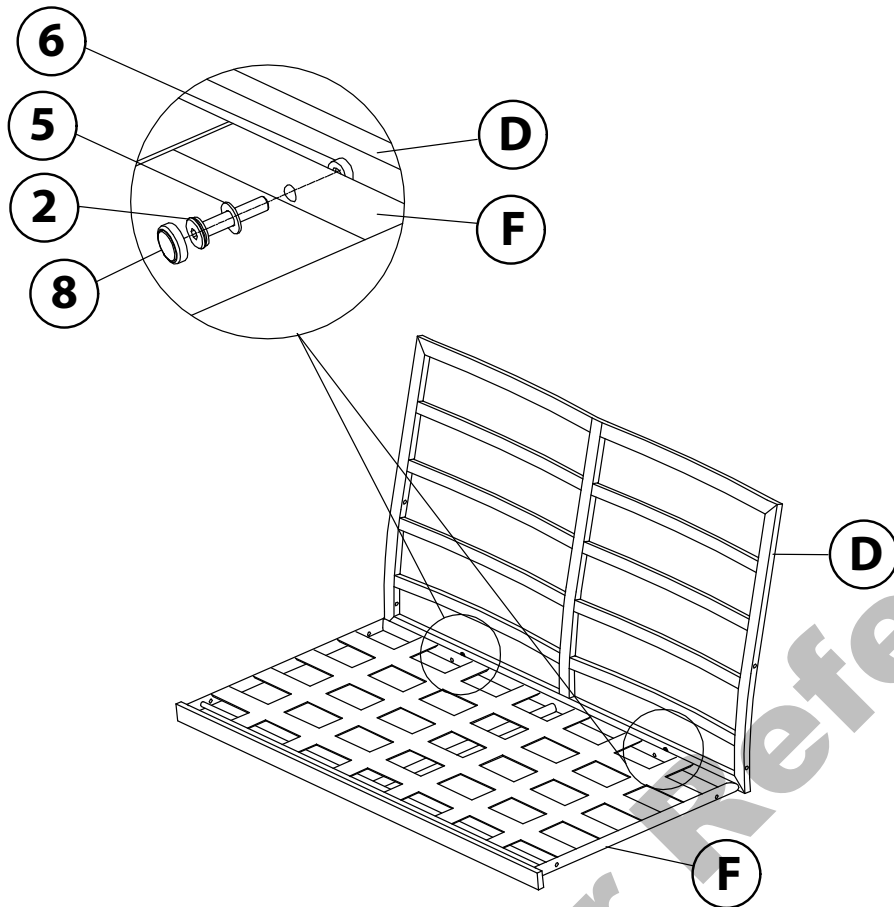
Insert two M6x55 Bolts (3) through the eyelets on the horizontal bar of Left Armrest (A), place a Spacer (6) on each bolt, through the eyelets on the left side of Chair Seat (E), place a Washer (5) on each bolt, and place a Nut (7) on each to hold parts together.

Follow these steps to assemble Right Armrest (B) to the right side of previously assembled parts. Tighten all bolts left loose throughout assembly process. Place Caps (8) over the heads of each bolt used during assembly.



Step 3:

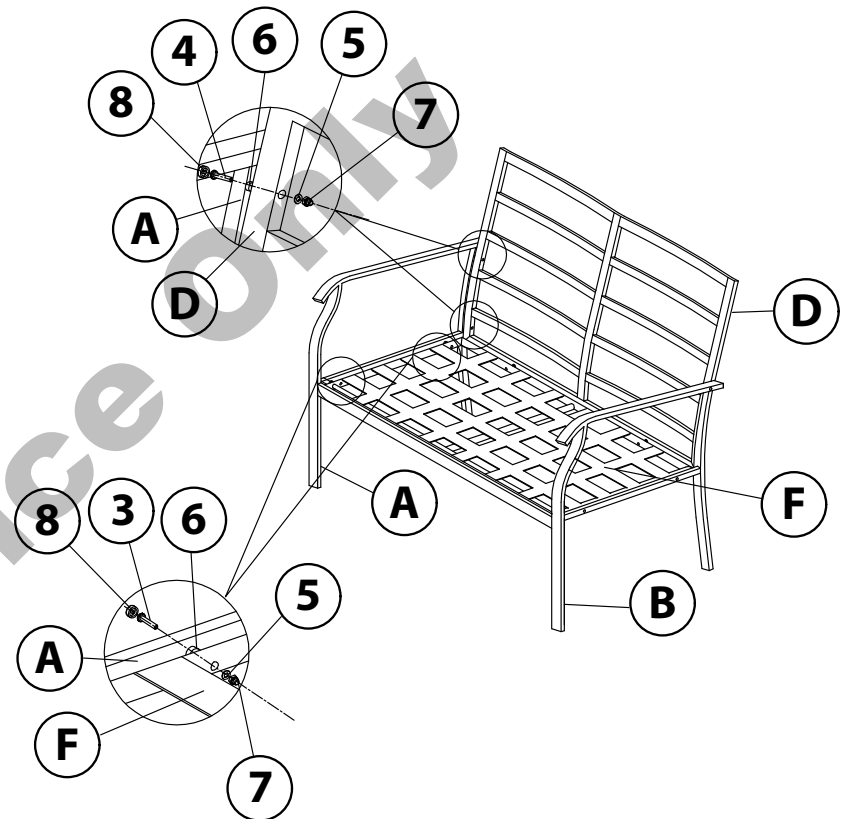
When finished, turn the chair right-side up, and place one Seat Cushion (J), and one Back Cushion (K) on top when ready to use.



Step 1:

Bring Sofa Back (D) and Sofa Seat (F) together as illustrated here.

Insert two M6x40 Bolts (2) with Washers (5) through the back eyelets underneath Sofa Seat (F), and into the bolt-threading found at the bottom of Sofa Back (D). **Do not tighten bolts down until you have completed Step 2 of assembly of this sofa.**



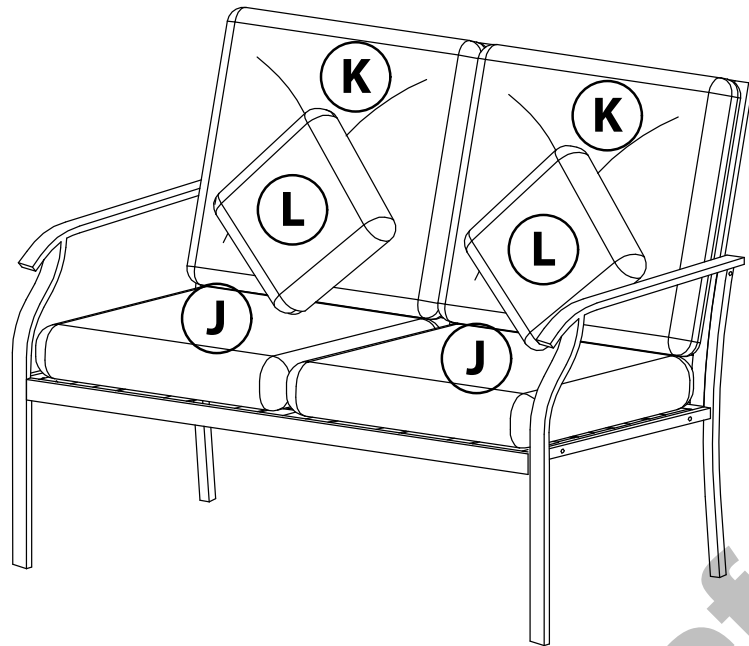
Step 2:

Place Left Armrest (A) on the left side of previously assembled parts as illustrated here.

Insert two M6x70 Bolts (4) through the eyelets on the back leg of Left Armrest (A), place a Spacer (6) on each bolt, through the eyelets on the left side of Sofa Back (D), place a Washer (5) on each bolt, and place a Nut (7) on each to hold parts together.

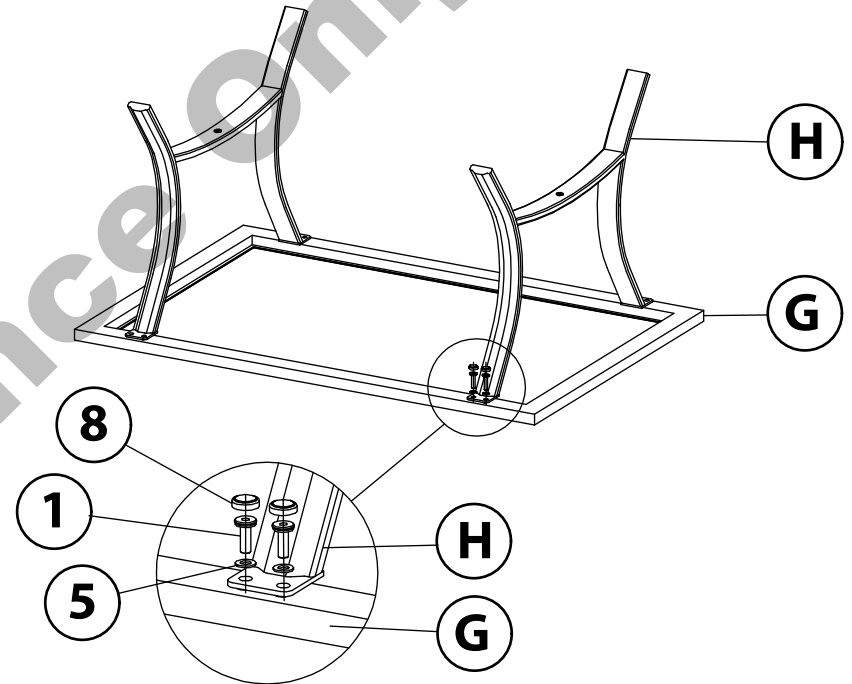
Insert two M6x55 Bolts (3) through the eyelets on the horizontal bar of Left Armrest (A), place a Spacer (6) on each bolt, through the eyelets on the left side of Sofa Seat (F), place a Washer (5) on each bolt, and place a Nut (7) on each to hold parts together.

Follow these steps to assemble Right Armrest (B) to the right side of previously assembled parts. Tighten all bolts left loose throughout assembly process. Place Caps (8) over the heads of each bolt used during assembly.



Step 3:

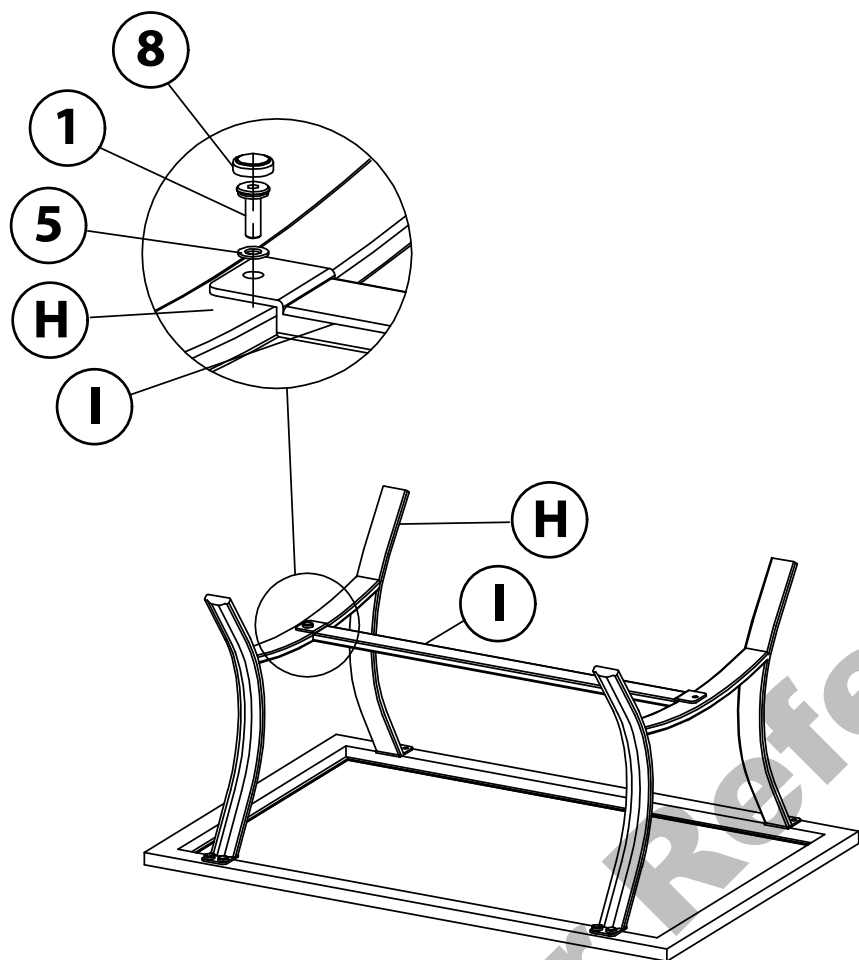
When finished, turn the sofa right-side up, and place two Seat Cushions (J), two Back Cushions (K), and two Throw Pillows (L) on top when ready to use.



Step 1:

Carefully lay Table (G) upside down on the ground; be mindful of the glass when setting it down.

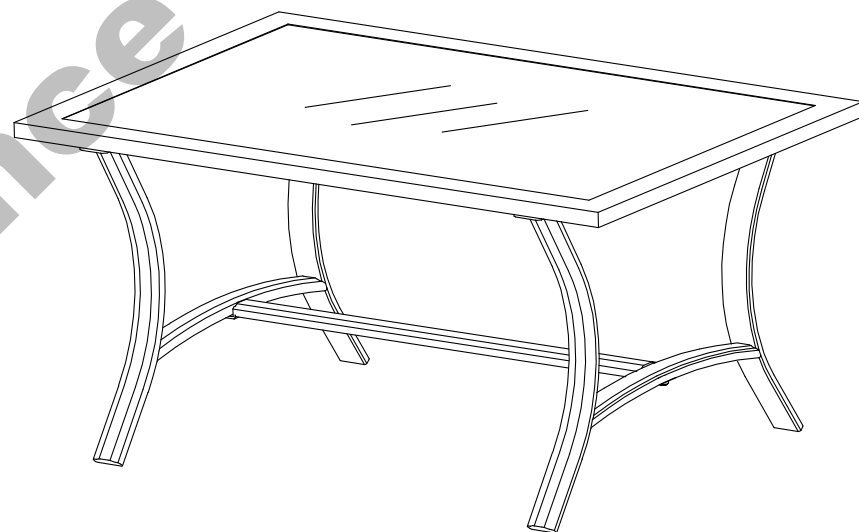
Insert two M6x15 Bolts (1) with Washers (5) through the eyelets found at the top of Table Legs (H), and into the bolt-threading found on the rim of Table (G). Follow this step to assemble the other side of Table Legs (H) to the opposite side of Table (G). Follow these steps to assemble the second Table Legs (H) to opposite end of Table (G). **Do not tighten bolts down until you have completed Step 2 of assembly of this table.**



Step 2:

Place Support (I) on top of the horizontal bars of Table Legs (H) as illustrated above.

Insert one M6x15 Bolt (1) with Washer (5) through each end of Support (I), and into the bolt-threading found underneath each horizontal bar of both Table Legs (H). Tighten all bolts left loose throughout assemble process. Place Caps (8) over the heads of each bolt used during assembly.



Step 3:

When finished, carefully turn the table right-side up, and it is ready to use.

LIMITED WARRANTY

Please contact our service hotline by phone, email, or fax when needing assistance with assembly or with faulty parts. This allows us to provide support in the event of possible operator errors.

All furniture manufactured and sold by TDC USA, Inc. is warranted to the original purchaser against defects in workmanship and materials. If a product manufactured by TDC fails during the first year from date of purchase under the terms of our limited warranty, TDC will replace the item at no charge. After one year, it will be the original purchaser's responsibility to pay for freight and packing. TDC reserves the right, in the case of discontinued or out of production models, to replace with an item of similar quality. (Glass breakage is not warranted.)

NOTE: You must retain original receipt to obtain warranty!

FRAMES:

Frames are warranted against defects in materials and workmanship from the date of original purchase. Damage to frames or welds due to commercial use, improper assembly, exposure to water and sub-freezing temperatures, and/or abuse are not covered.

FABRIC:

Fabric on cushions, slings, and umbrellas is warranted against separation at the seams. Fading, mildew, and/or discoloration due to exposure to elements, chemicals, and spills are not covered.

POWDER COAT AND/OR PAINT:

The finish is warranted against blistering, peeling, or cracking. Fading resulting from exposure to the elements, chemicals, and spills are not covered. Scratches and chips due to normal wear and use are not covered.

FREIGHT & PACKING:

TDC will be responsible for shipping, handling, and packaging charges for all valid warranty claims.

CARE & MAINTENANCE:

Be careful to never allow water build up in frames as this will cause corrosion and freeze damage in cold climates. Wash all frames with a solution of mild soap and water. Rinse with clean water and dry with a soft absorbent cloth towel. Frames can be treated with a liquid wax for maximum protection against UV rays and/or salty damp air. If your set includes cushions, slings, and/or an umbrella, they may be cleaned by hand with a solution of soap and water with a clean water rinse.

LIMITED WARRANTY EXCLUSIONS:

- Damage caused by acts of nature
- Wind damage
- Failure caused by unreasonable, unanticipated, or abusive use
- Failure caused by a lack of reasonable and necessary care and maintenance
- Normal fade of fabrics, upholstery, or woven materials
- Glass table tops
- Bursting or cracking of tubing due to exposure to water and freezing temperatures
- Changes in wood color due to the natural aging of the wood

A sales receipt must be provided to validate the 1-Year Limited Warranty.

Customer Service:

Monday - Friday • 9:00 am - 5:00 pm

Phone: 800-599-8898

Email: support@tdcusainc.com

TDC USA, Inc.
5 Industrial Rd, STE 1
Fairfield, NJ 07004-3017

4 Piece Sofa Set

Steel Frame with Powder Coating

Dist. by TDC USA, Inc. Fairfield, NJ 07004
©2023 All Rights Reserved. Made in China.
Item #21637

Questions and Comments

1-800-599-8898 (9 am - 5 pm EST)

www.tdcusainc.com