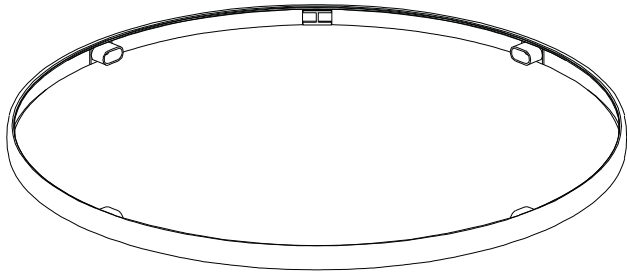
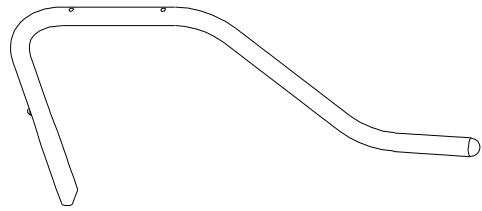


21613-14 Assembly Instruction

A/1PC



B/4PCS



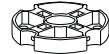
C/8PCS



D/8PCS



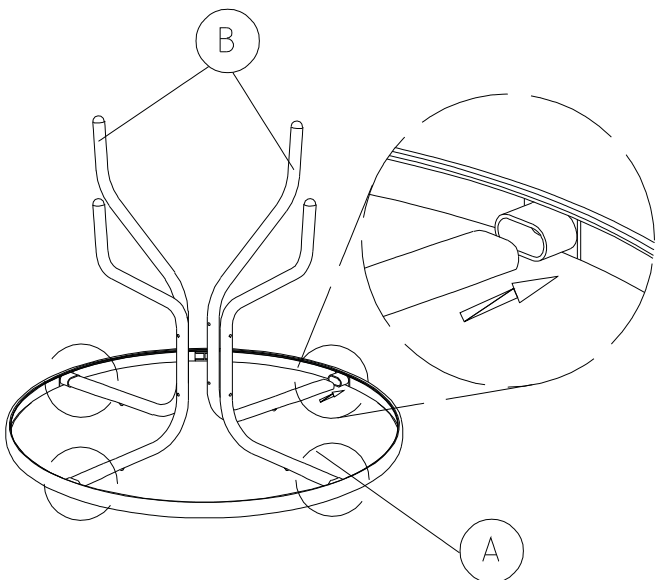
E/2PCS



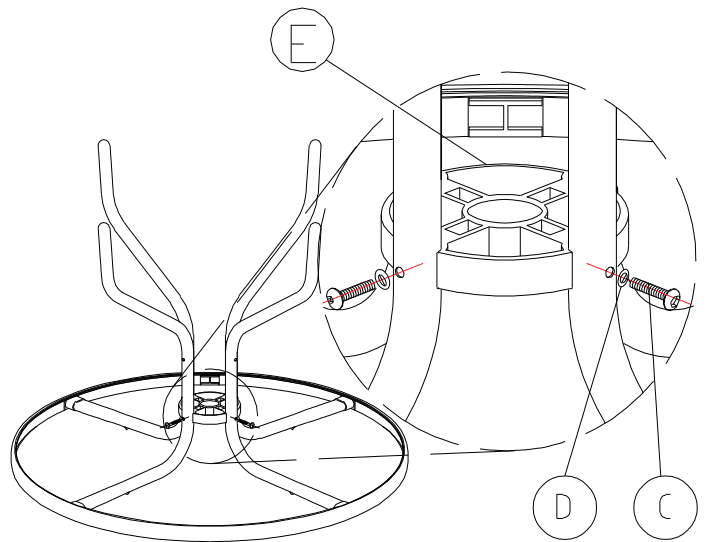
AA/1PC



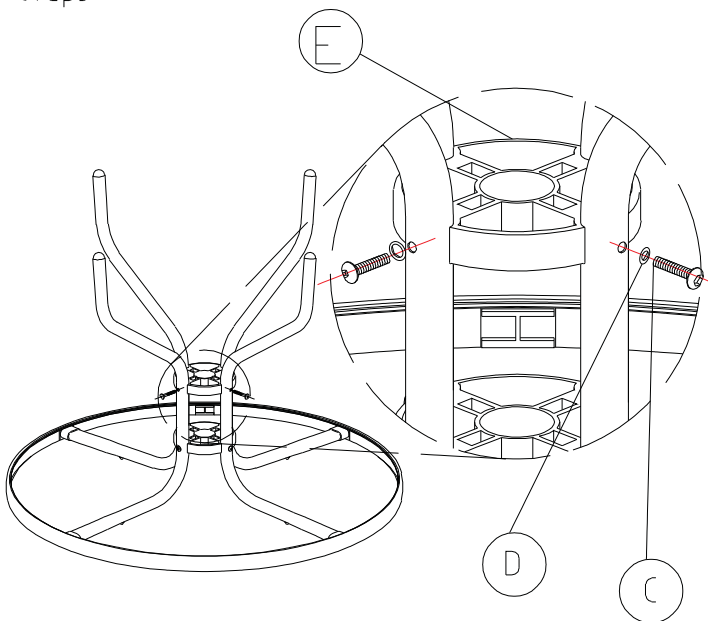
step1



step2



step3



step4

