

3 Piece High Bar Set

Steel Frame with Powder Coating



INSTRUCTIONS

<i>Table Parts</i>	3
<i>Table Assembly</i>	4-6
<i>Chair Parts</i>	8
<i>Chair Assembly</i>	9-11
<i>Warranty</i>	12-13

Customer Service

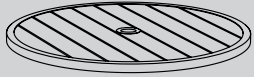

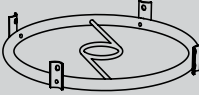
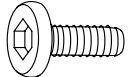
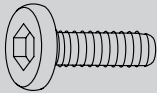
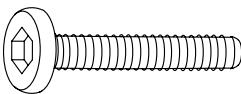


1-800-599-8898

Getting Started

Identify all parts packaged in carton against the parts list. Remove all protective materials and place parts on a non-abrasive surface to avoid scratching. If any parts are missing or damaged, DO NOT attempt to assemble. Please contact our customer service center (Monday-Friday 9:00am – 5:00pm EST) at 1-800-599-8898 or email: support@tdcusainc.com.

Caution: Read all the instructions before assembly. Failure to do so may result in faulty assembly and potential injury! Assemble product on a soft, non-abrasive surface such as a carpet or cardboard to avoid damaging the item. Seek assistance to assemble bulky or heavy items. After final alignment, make sure all bolts and nuts are securely tightened with screw covers pressed in place.

Table Parts

A	Table		1
B	Leg		4
C	Leg Brace		1
D	1/4"x13mm		8
E	1/4"x16mm		4
F	1/4"x35mm		4
G	Washers		16
H	Hex Key		1

Step 1:

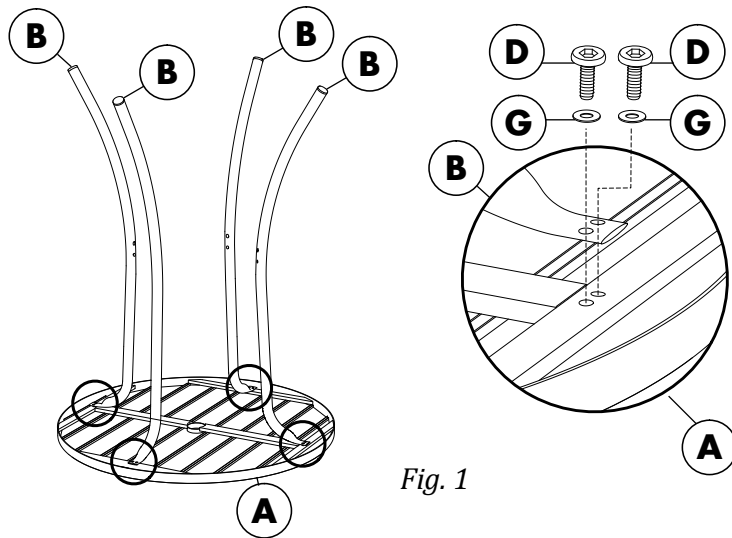


Fig. 1

Turn Table (A) upside down and lay it on the ground. Insert two Screws 1/4"x13mm (D) with Washers (G) through the screw holes at the end of Leg (B) {see fig. 1} and into the rim of Table (A). It is advised to keep all parts loose until assembly is complete. Follow these steps for the three remaining Legs (B) at each side of the Table (A).

Step 2:

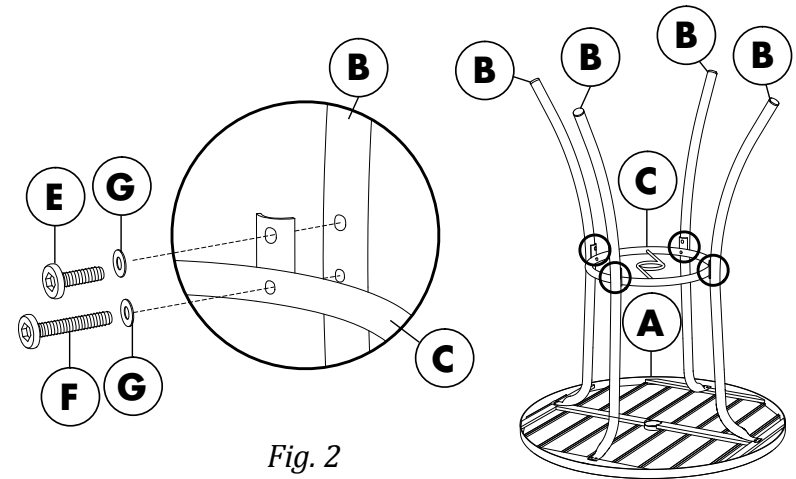
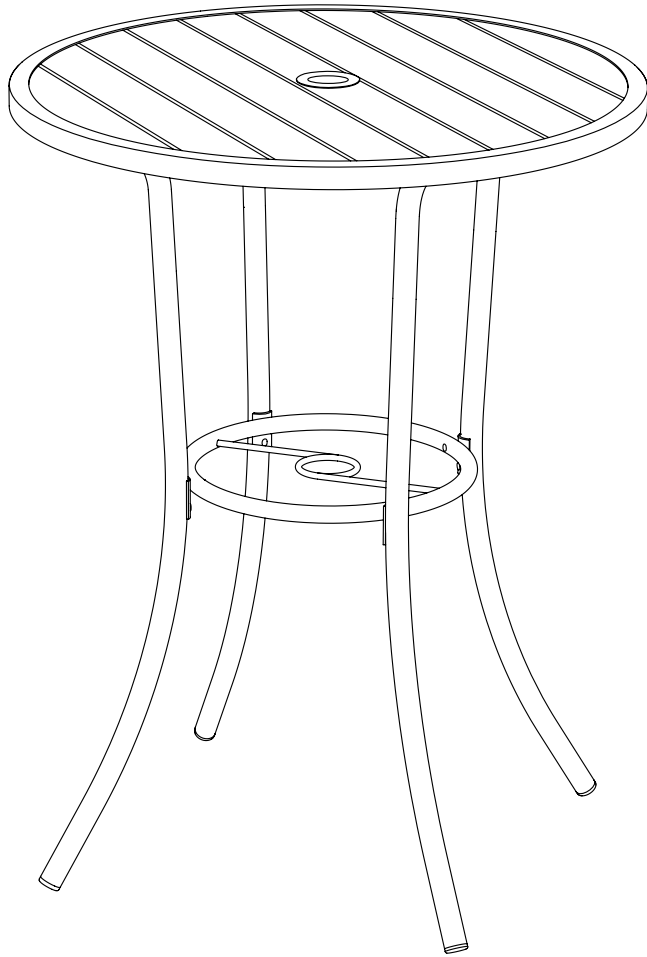






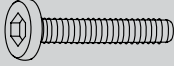
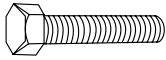

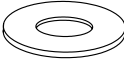

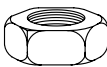


Fig. 2

Place Leg Brace (C) {see fig.2 for correct orientation} in between Legs (B). Insert Screw 1/4"x35mm (F) with Washer (G) through the ring of Leg Brace (C) and into Leg (B) {see fig. 2}. Insert Screw 1/4"x16mm (E) with Washer (G) through additional screw hole of Leg Brace (C) and into Leg (B) {see fig. 2}. Follow these steps to connect all Legs (B) with the Leg Brace (C). Tighten all screws that have been left loose throughout the building process. Turn the table right-side up.

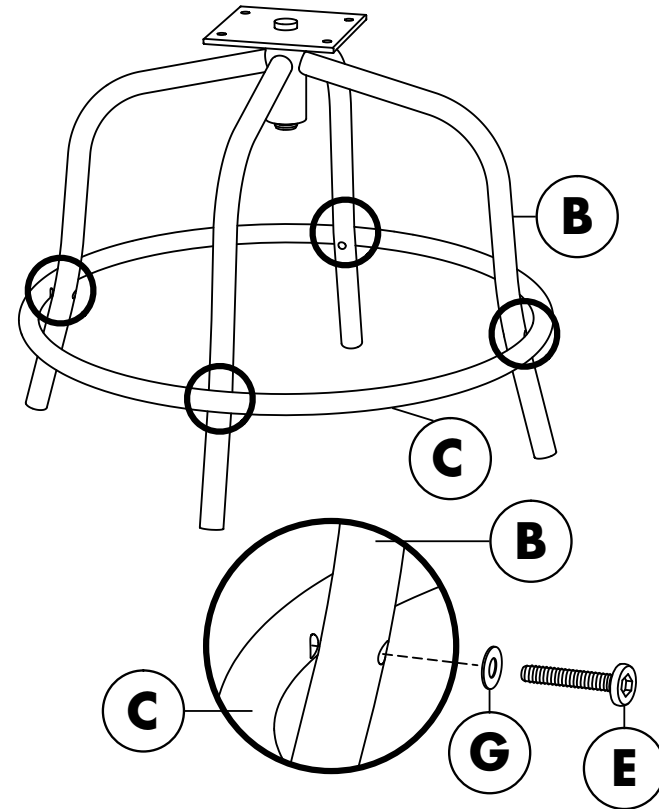
Complete Table:



Chair Parts

A	Chair		2
B	Chair Legs		2
C	Chair Ring		2
D	Cushion		2
E	1/4"x38mm		8
F	5/16"x38mm		8
G	Washer		8
H	Washer		8
I	Washer		8
J	Nut		8
K	Wrench		2
L	Hex Key		1

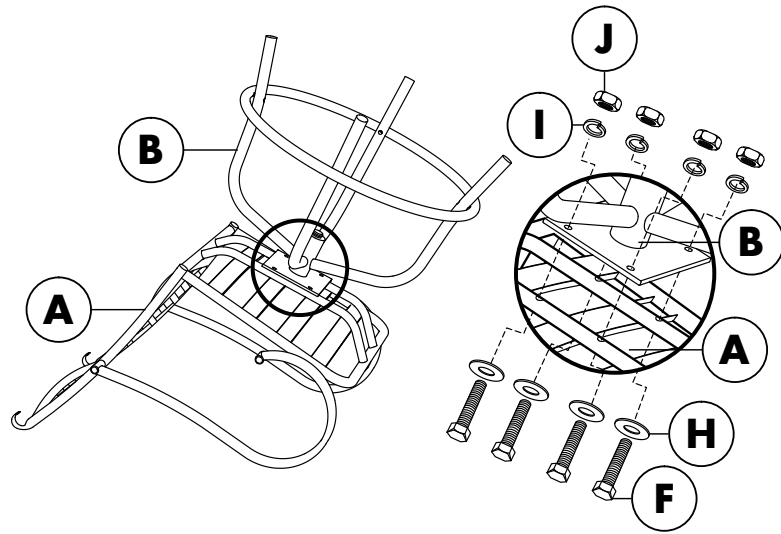
Step 1:



Set Chair Legs (B) on the ground, right-side up. Place the Chair Ring (C) over the Chair Legs (B) until you reach the screw holes cutout on the legs.

Insert Screw 1/4"x38mm (E) with Washer (G) through a leg of Chair Legs (B) and into the screw threading of Chair Ring (C). Tighten the screw only half way until all four Screws 1/4"x38mm (E) with Washers (G) have been inserted following this previous step. Tighten down once the Table Ring (C) is secured using Hex Key (L).

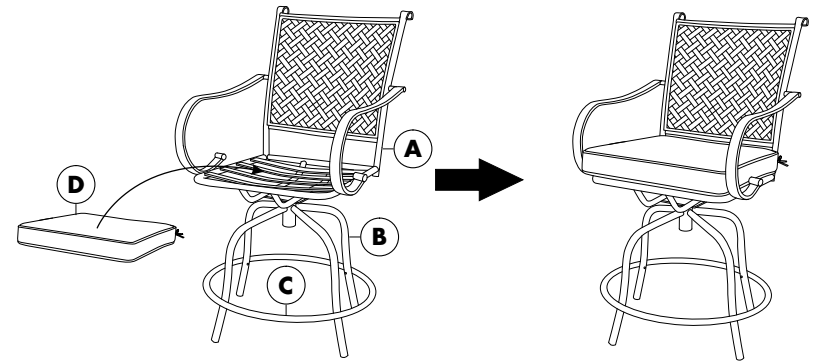
Step 2:



Place the Chair upside down so that the chair arms are resting on the ground. Turn Chair Legs (B) upside down and place against the rails beneath the seat of Chair (A).

Insert Screw 5/16"x38mm (F) with Washer (H) through one of the screw holes found on one of the two rails beneath the seat of Chair (A) and through the top base of Chair Legs (B). Place Washer (I) at the end of the screw and tightening Nut (J) with Wrench (K). Follow these steps to insert and tighten the three remaining Screws 5/16"x38mm (F) with Washers (H & I) and Nut (J) into the additional screw holes to connect the Chair Legs (B) to the rails beneath the seat of Chair (A).

Step 3:



Place the assembled chair right-side up and place Cushion (D) on the seat of Chair (A).

LIMITED WARRANTY

Please contact our service hotline by phone, email or fax before sending the device. This allows us to provide support in the event of possible operator errors.

All furniture manufactured and sold by TDC USA, Inc. is warranted to the original purchaser against defects in workmanship and materials. If a product manufactured by TDC fails during the first year from date of purchase under the terms of our limited warranty, TDC will replace the item at no charge. After one year, it will be the original purchasers' responsibility to pay for freight and packing. TDC reserves the right, in the case of discontinued or out of production models, to replace with an item of similar quality. (Glass breakage is not warranted.)

Note: You must retain original receipt to obtain warranty!

Frames:

Frames are warranted against defects in materials and workmanship from the date of original purchase. Damage to frames or welds due to commercial use, improper assembly, exposure to water and sub-freezing temperatures, and/or abuse are not covered.

Powder coat and/or Paint:

The finish is warranted against blistering, peeling, or cracking. Fading resulting from exposure to elements, chemicals, and spills are not covered. Scratches and chips due to normal wear and use are not covered

Freight & Packing:

TDC will be responsible for shipping, handling, and packaging charges for all valid warranty claims.

Care & Maintenance:

Be careful to never allow water build up in frames as this will cause corrosion and freeze damage in cold climates. Wash all frames with a solution of mild soap and water. Rinse with clean water and dry with a soft absorbent cloth towel. Frames can be treated with a liquid wax for maximum protection against UV rays and/or salty damp air. If your set includes cushions, slings, and/or an umbrella, they may be cleaned by hand with a solution of soap and water with a clean water rinse.

EXCLUSION:

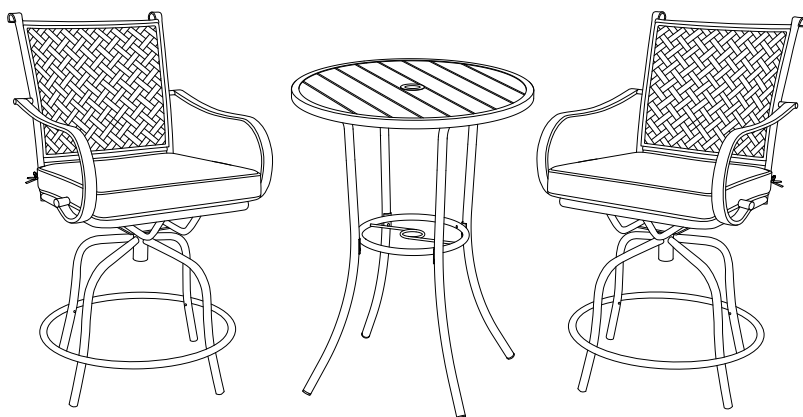
- Damage caused by acts of nature
- Wind damage
- Failure caused by unreasonable, unanticipated or abusive use
- Failure caused by a lack of reasonable and necessary care and maintenance
- Normal fade of fabrics, upholstery or woven materials
- Glass table tops
- Bursting or cracking of tubing due to exposure to water and freezing temperatures
- Changes in wood color due to the natural aging of the wood

Lack of original receipt will void warranty.

Customer Service: Monday-Friday 9:00am-5:00pm EST

By Phone: 800-599-8898

By E-mail: support@tdcusainc.com



Distributed By T.D.C. USA INC.

Fairfield, NJ 07004

©2017 All Rights Reserved. Made in China

?/Comments: 1-800-599-8898 9am-5pm EST

www.tdcusainc.com