

3 Piece High Bistro Dining Set

Steel Frame with Powder Coating



INSTRUCTIONS

<i>Chair Parts</i>	3
<i>Chair Assembly</i>	4-5
<i>Table Parts</i>	6
<i>Table Assembly</i>	7-9
<i>Warranty</i>	10-11

Customer Service

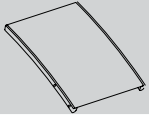
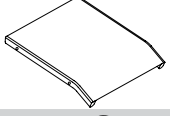



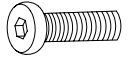
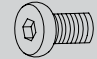

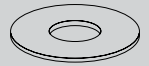

1-800-599-8898

Getting Started

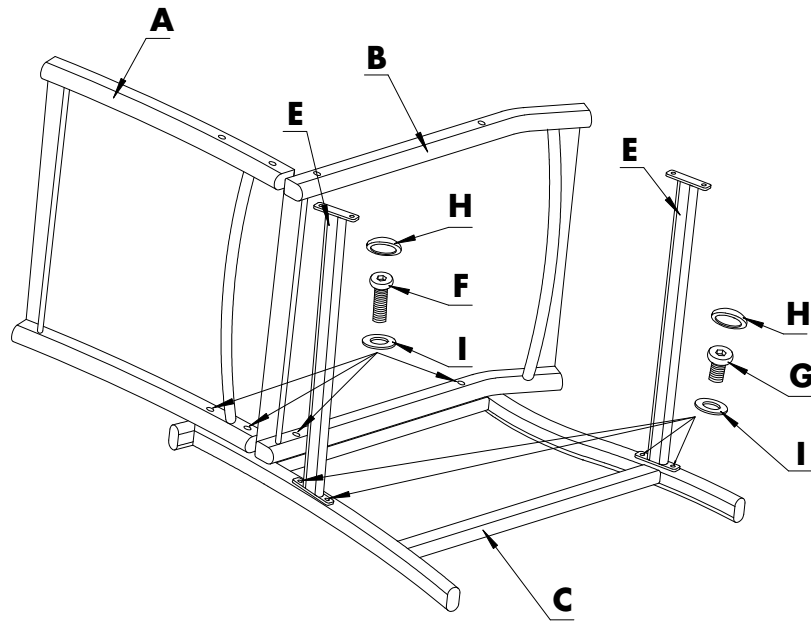
Identify all parts packaged in carton against the parts list. Remove all protective materials and place parts on a non-abrasive surface to avoid scratching. If any parts are missing or damaged, DO NOT attempt to assemble. Please contact our customer service center (Monday-Friday 9:00am – 5:00pm EST) at 1-800-599-8898 or email: support@tdcusainc.com.

Caution: Read all the instructions before assembly. Failure to do so may result in faulty assembly and potential injury! Assemble product on a soft, non-abrasive surface such as a carpet or cardboard to avoid damaging the item. Seek assistance to assemble bulky or heavy items. After final alignment, make sure all bolts and nuts are securely tightened with screw covers pressed in place.

Chair Parts

A	Back		2
B	Seat		2
C	Left Leg		2
D	Right Leg		2
E	Leg Support		4
F	Screw		16
G	Screw		16
H	Cover		32
I	Washers		32
K	Hex Key		1

Step 1:



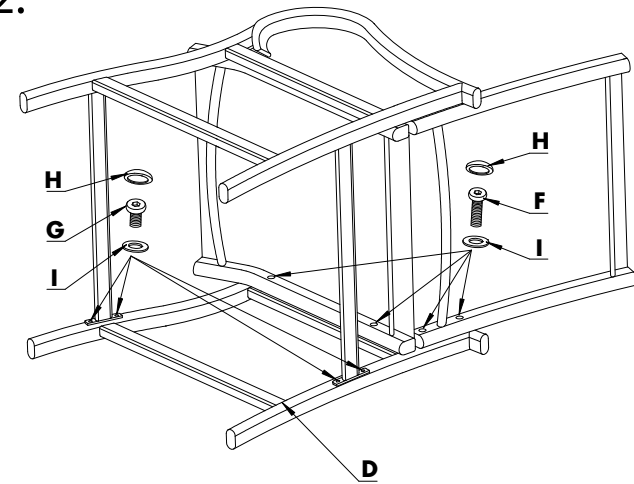
This step will connect the Back (A), Seat (B) and two Leg Supports (E) to the Left Leg (C).

Using Screw (F) and Washer (I), screw the Seat (A) and Back (B) to Left Leg (C).

Using Screw (G) and Washer (I), screw the Leg Supports (E) onto the Left Leg (C).

Keep the screws loose. Do not tighten until the end.

Step 2:



Using Screw (F) and Washer (I), screw the Seat (A) and Back (B) to Right Leg (D).

Using Screw (G) and Washer (I), screw the Leg Supports (E) onto the Right Leg (D).

Tighten all screws.

Step 3:

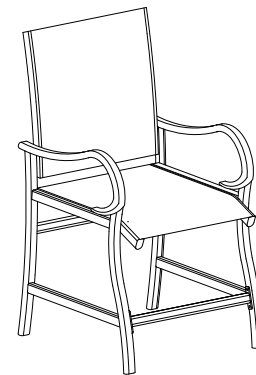




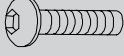
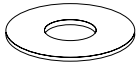



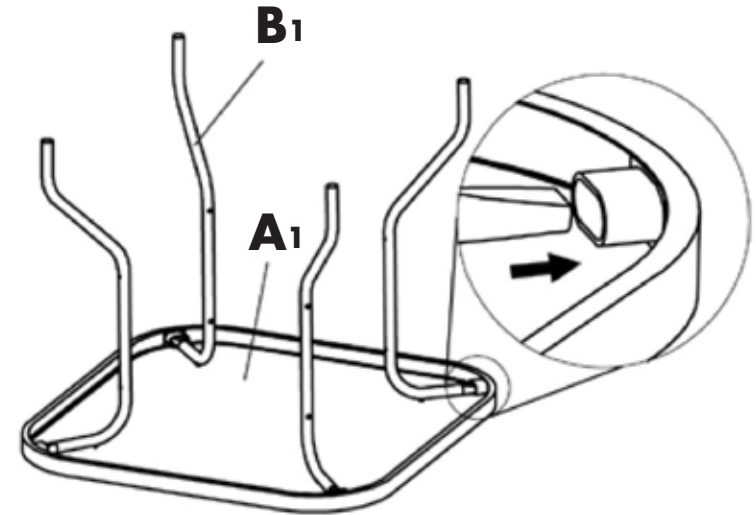


Table Parts

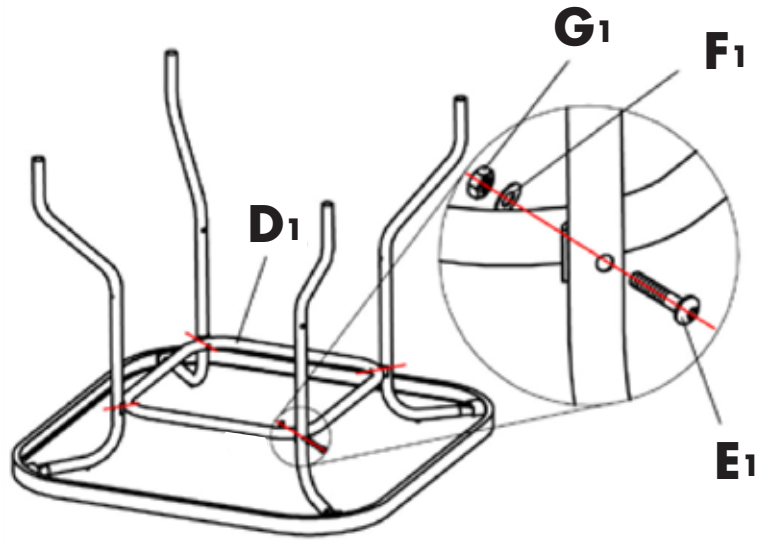
A1	Table Top		2
B1	Leg		2
C1	Center Support		2
D1	Center Support		2
E1	Screw		8
F1	Washers		8
G1	Nut		16
AA	Hex Key		1
BB	Wrench		2

Step 1:



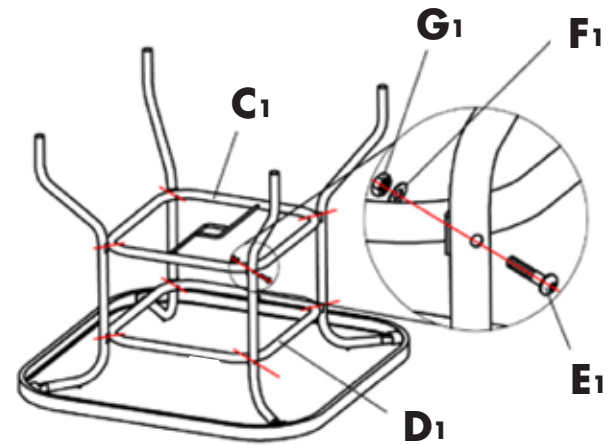
Carefully lay the Table Top (A1) upside down onto the ground. Insert the Legs (B1) into the plastic inserts inside the rim of the Table Top (A1).

Step 2:



Insert Screw (E1) through the Leg (B1) and into Center Support (D1). Lock the Screw (E1) with a Washer (F1) and Nut (G1). Do not tighten fully.

Step 3:



Insert Screw (E1) through the Leg (B1) and into Center Support (C1). Lock the Screw (E1) with a Washer (F1) and Nut (G1). Tighten all Screws.

Step 4:



LIMITED WARRANTY

Please contact our service hotline by phone, email or fax before sending the device. This allows us to provide support in the event of possible operator errors.

All furniture manufactured and sold by TDC USA, Inc. is warranted to the original purchaser against defects in workmanship and materials. If a product manufactured by TDC fails during the first year from date of purchase under the terms of our limited warranty, TDC will replace the item at no charge. After one year, it will be the original purchasers' responsibility to pay for freight and packing. TDC reserves the right, in the case of discontinued or out of production models, to replace with an item of similar quality. (Glass breakage is not warranted.)

Note: You must retain original receipt to obtain warranty!

Frames:

Frames are warranted against defects in materials and workmanship from the date of original purchase. Damage to frames or welds due to commercial use, improper assembly, exposure to water and sub-freezing temperatures, and/or abuse are not covered.

Powder coat and/or Paint:

The finish is warranted against blistering, peeling, or cracking. Fading resulting from exposure to elements, chemicals, and spills are not covered. Scratches and chips due to normal wear and use are not covered.

Freight & Packing:

TDC will be responsible for shipping, handling, and packaging charges for all valid warranty claims.

Care & Maintenance:

Be careful to never allow water build up in frames as this will cause corrosion and freeze damage in cold climates. Wash all frames with a solution of mild soap and water. Rinse with clean water and dry with a soft absorbent cloth towel. Frames can be treated with a liquid wax for maximum protection against UV rays and/or salty damp air. If your set includes cushions, slings, and/or an umbrella, they may be cleaned by hand with a solution of soap and water with a clean water rinse.

EXCLUSION:

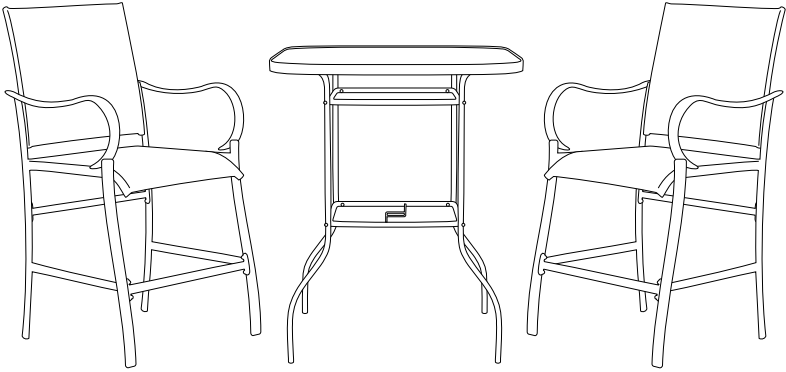
- Damage caused by acts of nature
- Wind damage
- Failure caused by unreasonable, unanticipated or abusive use
- Failure caused by a lack of reasonable and necessary care and maintenance
- Normal fade of fabrics, upholstery or woven materials
- Glass table tops
- Bursting or cracking of tubing due to exposure to water and freezing temperatures
- Changes in wood color due to the natural aging of the wood

Lack of original receipt will void warranty.

Customer Service: Monday-Friday 9:00am-5:00pm EST

By Phone: 800-599-8898

By E-mail: support@tdcusainc.com



Distributed By T.D.C. USA INC.

Fairfield, NJ 07004

©2017 All Rights Reserved. Made in China

?/Comments: 1-800-599-8898 9am-5pm EST

www.tdcusainc.com