

Wooden Bistro Bar Set



Assembly Instructions

Made in Vietnam

The owner's manual contains important safety information as well as assembly, use and maintenance instructions. Keep the packaging and bags away from children and dispose of all packaging properly before use. Keep this manual for future reference.



**PLEASE DO NOT
RETURN THIS
PRODUCT
TO THE STORE**

We will be happy to correct any problems that you may have, or answer any of your questions regarding the purchase of this product. Please contact us at our Toll Free customer service number 1-800-599-8898 for any assistance and replacement parts. Thank You.

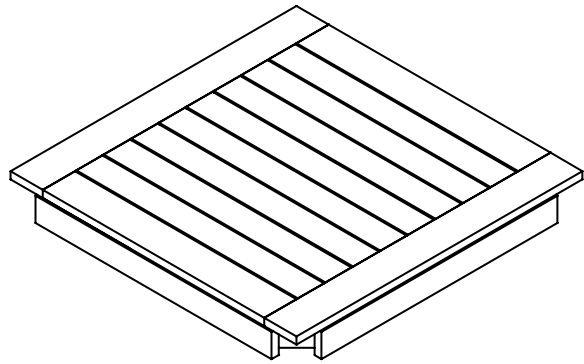
Dist. by TDC USA, Inc. Fairfield, NJ 07004
©2021 All Rights Reserved.
Made in Vietnam
Item 22555
www.tdcusainc.com

⚠ WARNING!

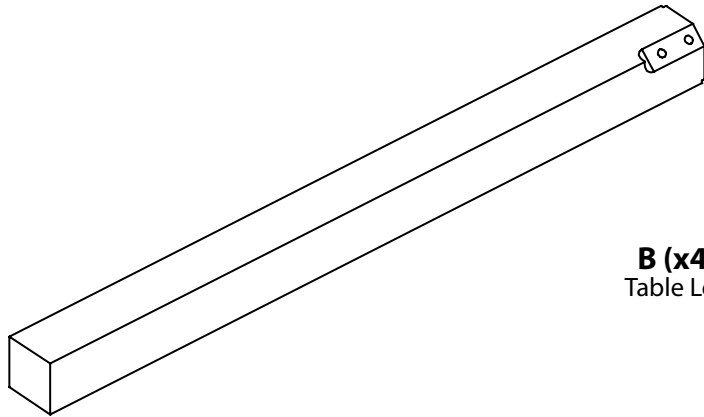
- Keep all children and pets away from assembly area. Children and pets should be supervised when they are in the area of the product construction.
- Some parts may contain sharp edges. When assembling and using this product, basic safety precautions should always be.
- Please read all the instructions and warnings before assembling. In order to make the whole product adjust to the best, please install all the screws on the product and tighten all the screws after adjusting the product which can stand on the floor even. Not intended for commercial use.
- Check all bolts for tightness before use.
- **IMPORTANT** - check and tighten bolts often to keep them secure

• **CHOKING HAZARD** - Small parts. Not suitable for children under 36 months. The product contains small parts, keep children away when assembling.

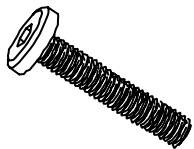
• **ADULT ASSEMBLY REQUIRED.**
Always remove protective material and poly bags and dispose before assembly.



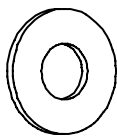
A (x1)
Table



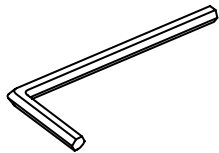
B (x4)
Table Leg



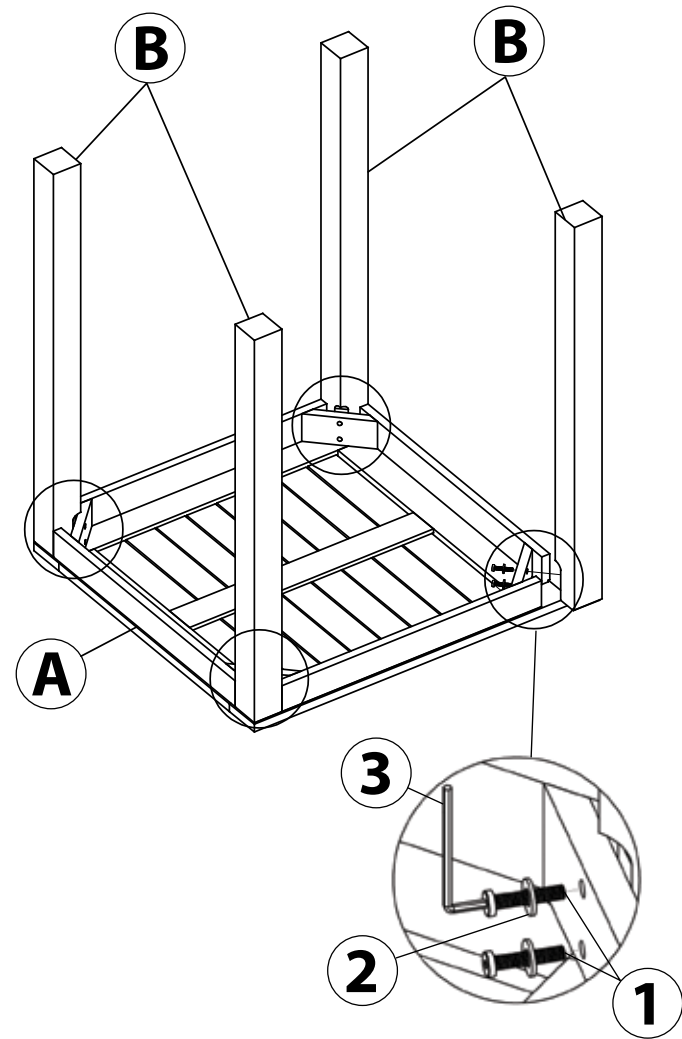
1 (x8)
M8x50 Bolt



2 (x8)
Washer



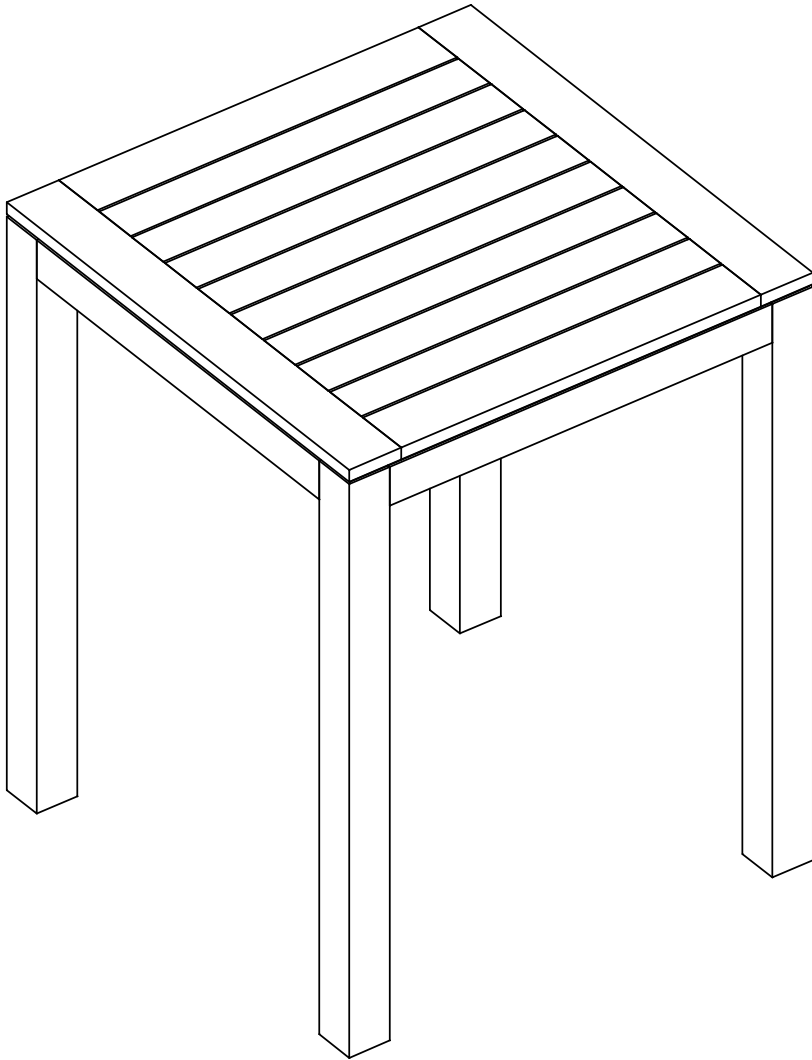
3 (x1)
M8 Hex Key



Step 1:

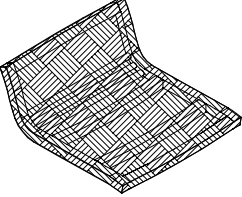
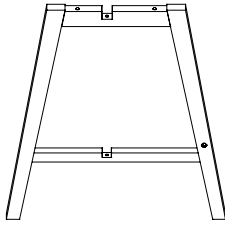
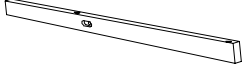

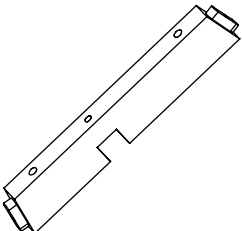
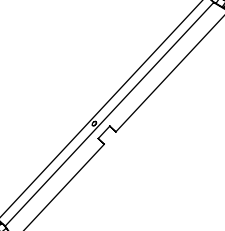
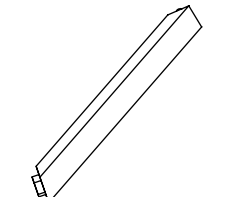
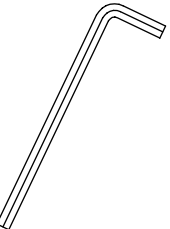
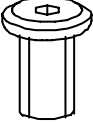
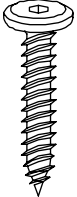

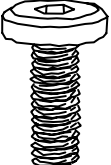


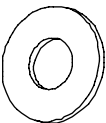
Set the Table (A) upside-down on a soft, non-abrasive surface.

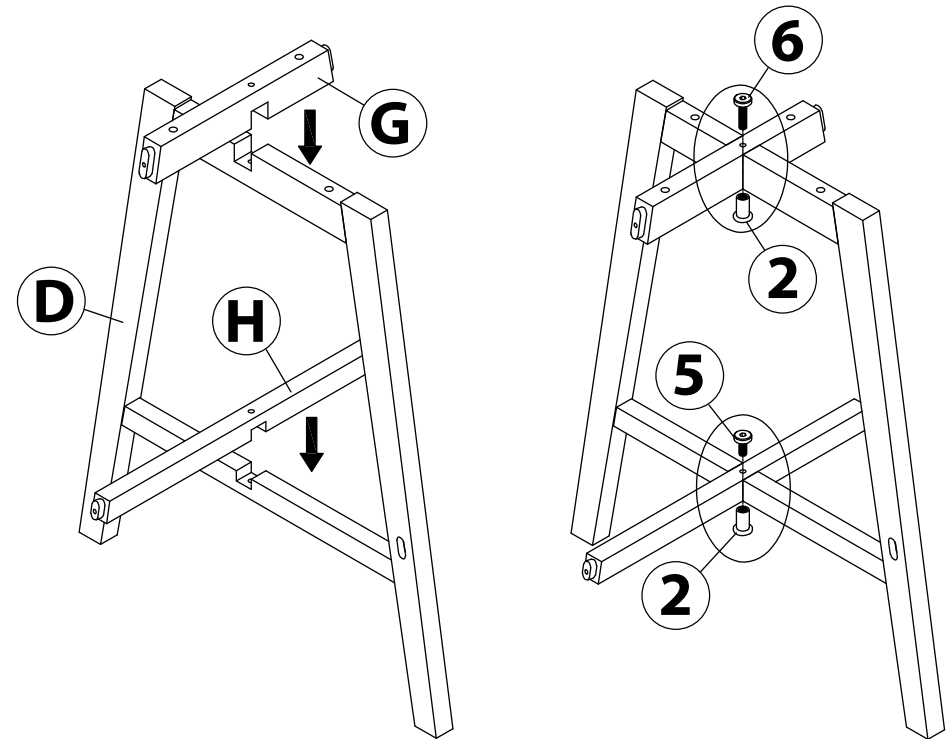
Insert two M8x50 Bolts (1) with Washers (2) through a corner plate and into the top of Leg (B). Tighten bolts down using M8 Hex Key (3). Follow these steps to connect the remaining three Legs (B) to Table (A).



Step 2:

Turn right-side up and it is ready to be used.

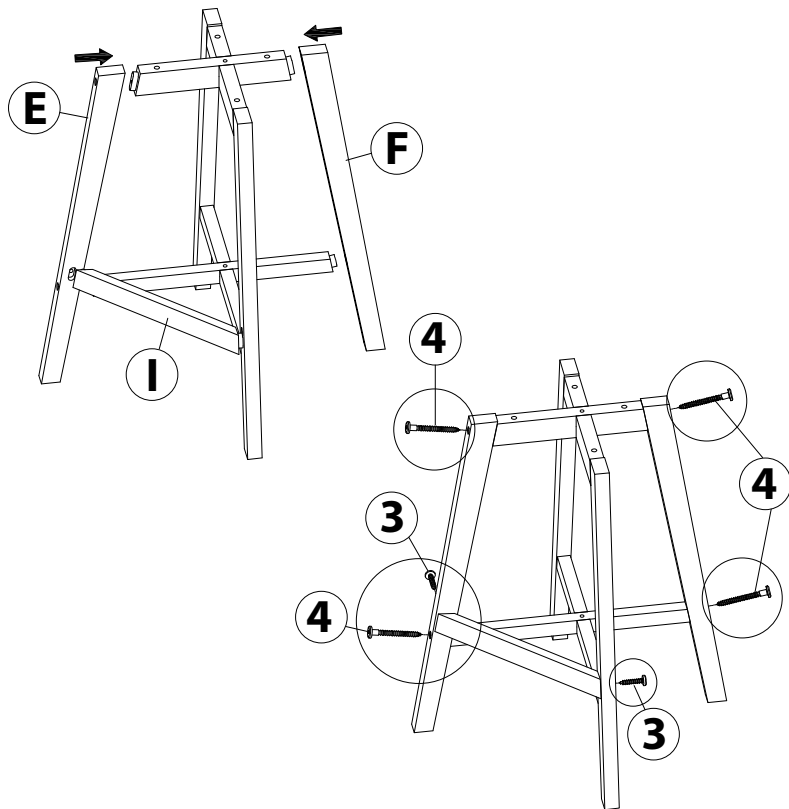
 <p>C (x2) Seat</p>	 <p>D (x2) Leg Frame</p>	 <p>E (x2) Stool Leg</p>	
		 <p>F (x2) Stool Leg</p>	
 <p>G (x2) Seat Support</p>	 <p>H (x2) Leg Support</p>	 <p>I (x2) Footrest</p>	
 <p>1 (x2) Hex Key</p>	 <p>2 (x4) Sleeve Nut</p>	 <p>3 (x4) M7x35 Screw</p>	 <p>4 (x8) M7x70 Screw</p>
 <p>5 (x2) M6x15 Bolt</p>	 <p>6 (x2) M6x30 Bolt</p>	 <p>7 (x8) M6x65 Bolt</p>	 <p>8 (x8) Washer</p>



Step 1:

Place Seat Support (G) into the notch found at the top of Leg Frame (D). Insert one Sleeve Nut (2) underneath top notch of Leg Frame (D). Insert one M6x30 Bolt (6) through Seat Support (G) and into Sleeve Nut (2). **Do not tighten bolts down completely until all parts have been assembled.**

Place Leg Support (H) into the notch found at the bottom of Leg Frame (D). Insert one Sleeve Nut (2) underneath bottom notch of Leg Frame (D). Insert one M6x15 Bolt (5) through Leg Support (H) and into Sleeve Nut (2).

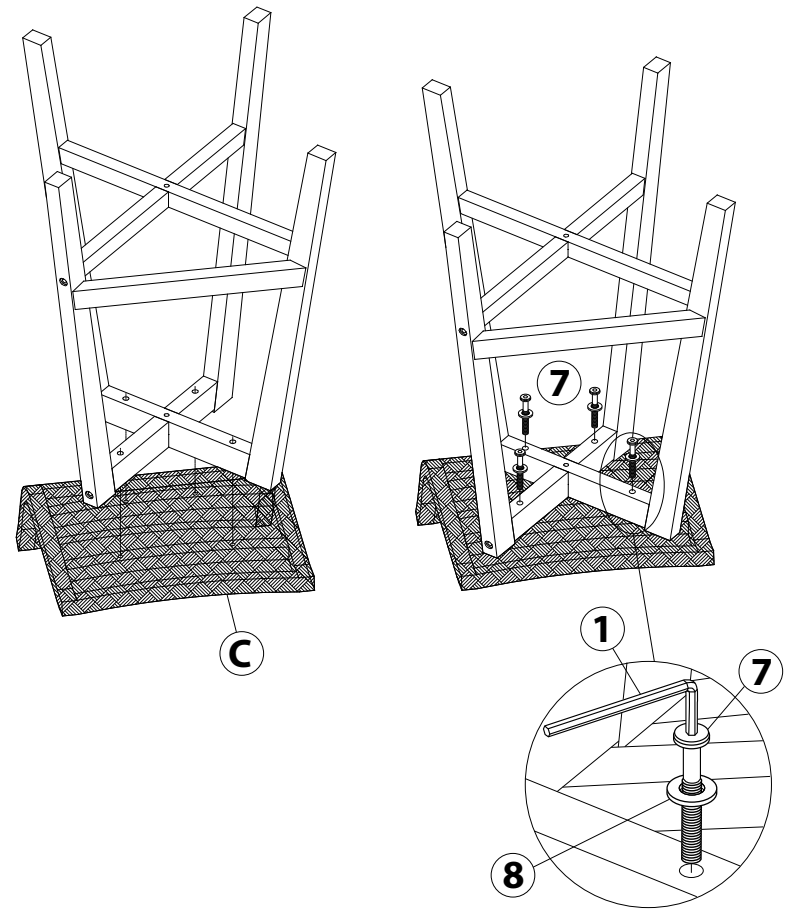


Step 2:

Insert the top of Stool Leg (E) into the end of Seat Support (G) and the bottom into the end of Leg Support (H). Insert one end of Footrest (I) into the leg of Leg Frame (D) and the other end into the side of Stool Leg (E).

Insert one M7x70 Screw (4) through the top of Stool Leg (E) and into the end of Seat Support (G). Insert one M7x70 Screw (4) through the bottom of Stool Leg (E) and into the end of Leg Support (H). Insert one M7x35 Screw (3) through the side of Stool Leg (E) and into the end of Footrest (I). Insert one M7x35 Screw (3) through the leg of Leg Frame (D) and into the other end of Footrest (I).

Insert the top of Stool Leg (F) into the opposite end of Seat Support (G) and the bottom into the opposite end of Leg Support (H). Insert one M7x70 Screw (4) through the top of Stool Leg (F) and into the end of Seat Support (G). Insert one M7x70 Screw (4) through the bottom of Stool Leg (F) and into the end of Leg Support (H).



Step 3:

Set the Seat (C) upside-down on a soft, non-abrasive surface. Place the previously assembled parts onto Seat (C) as illustrated here.

Insert two M6x65 Bolts (7) with Washers (8) through Seat Support (G) and into the bottom of Seat (C). Insert two M6x65 Bolts (7) with Washers (8) through the top of Leg Frame (D) and into the bottom of Seat (C). Tighten all bolts and screws that have been left loose throughout the assembly process using both Hex Keys (1). Turn right-side up and the stool is ready to use.

Wooden Bistro Bar Set

Dist. by TDC USA, Inc. Fairfield, NJ 07004
©2021 All Rights Reserved. Made in Vietnam.

Item #22555

Questions and Comments
1-800-599-8898 (9 am - 5 pm EST)
www.tdcusainc.com