

Wicker Bistro Chat Set



Assembly Instructions

Made in Vietnam

The owner's manual contains important safety information as well as assembly, use and maintenance instructions. Keep the packaging and bags away from children and dispose of all packaging properly before use. Keep this manual for future reference.



**PLEASE DO NOT
RETURN THIS
PRODUCT
TO THE STORE**

We will be happy to correct any problems that you may have, or answer any of your questions regarding the purchase of this product. Please contact us at our Toll Free customer service number 1-800-599-8898 for any assistance and replacement parts. Thank You.

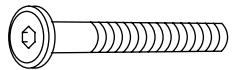
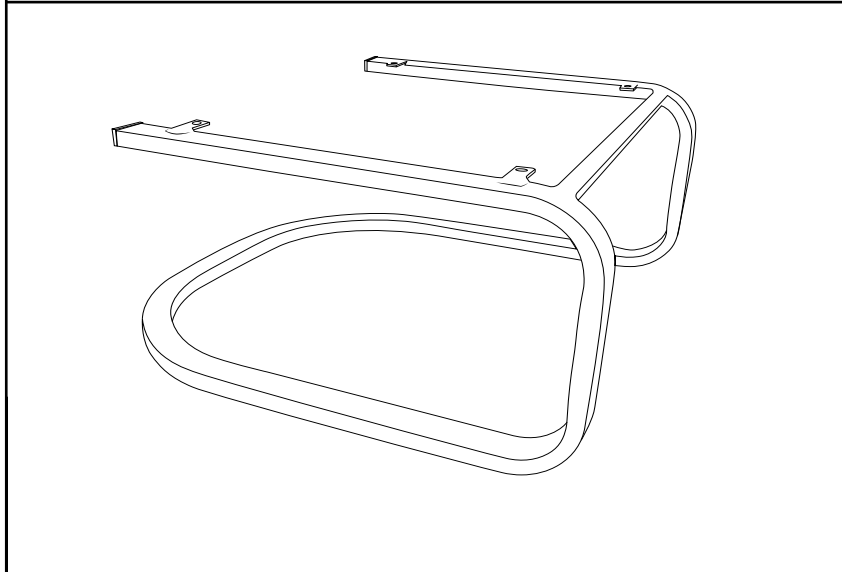
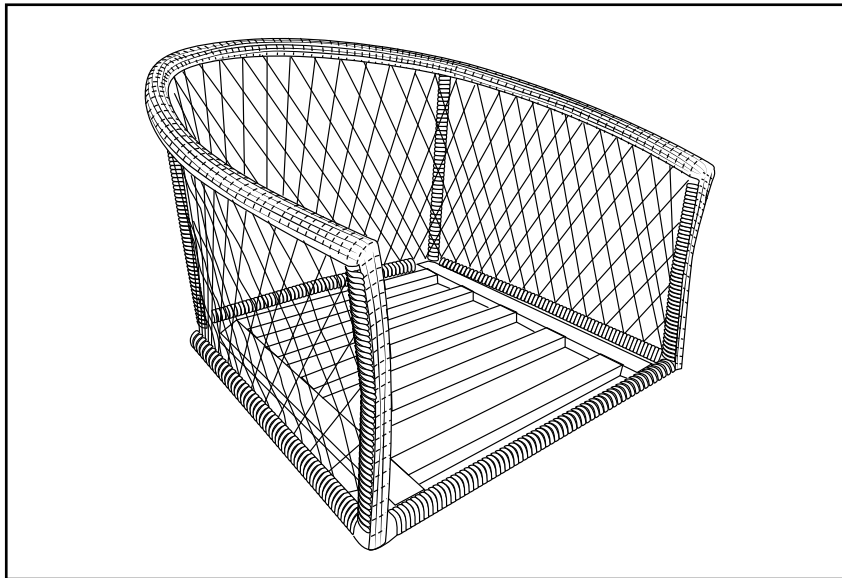
Dist. by TDC USA, Inc. Fairfield, NJ 07004
©2021 All Rights Reserved.
Made in Vietnam
Item 22567
www.tdcusainc.com

 **WARNING!**

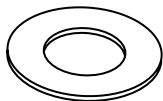
- Keep all children and pets away from assembly area. Children and pets should be supervised when they are in the area of the product construction.
- Some parts may contain sharp edges. When assembling and using this product, basic safety precautions should always be.
- Please read all the instructions and warnings before assembling. In order to make the whole product adjust to the best, please install all the screws on the product and tighten all the screws after adjusting the product which can stand on the floor even. Not intended for commercial use.
- Check all bolts for tightness before use.
- **IMPORTANT** - check and tighten bolts often to keep them secure



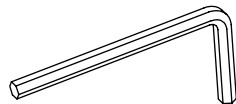
- **CHOKING HAZARD** - Small parts. Not suitable for children under 36 months. The product contains small parts, keep children away when assembling.
- **ADULT ASSEMBLY REQUIRED.**
Always remove protective material and poly bags and dispose before assembly.



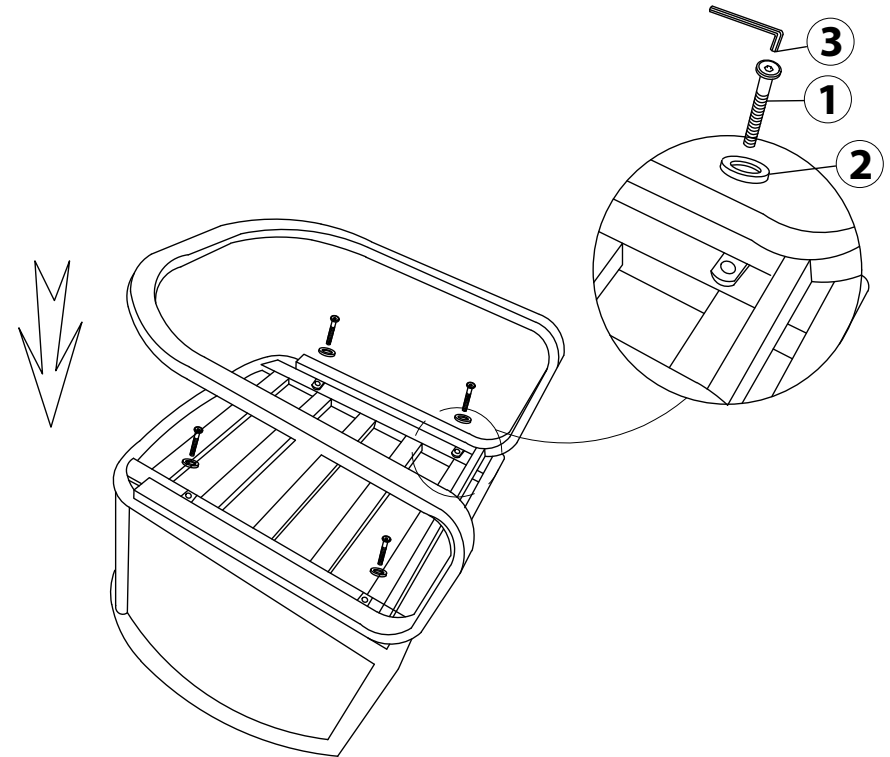
1 (x4)
M6x20



2 (x4)
Washer



3 (x1)
Hex Key



Step 1:

Set the seat upside down on a soft, non-abrasive surface.

Set the leg frame on top of the seat as illustrated here. Insert four Bolts M6x20 (1) with Washers (2) through each eyelet of leg frame and into the bolt-threading found underneath the seat. Tighten bolts using Hex Key (3). Turn the chair right-side up and set the seat and back cushions in place. The chair is now ready to be used.

Wicker Bistro Chat Set

Dist. by TDC USA, Inc. Fairfield, NJ 07004
©2021 All Rights Reserved. Made in Vietnam.

Item #22567

Questions and Comments
1-800-599-8898 (9 am - 5 pm EST)
www.tdcusainc.com