

3 Piece Resin Wicker Conversation Set



Assembly Instructions

Made in China

The owner's manual contains important safety information as well as assembly, use and maintenance instructions. Keep the packaging and bags away from children and dispose of all packaging properly before use. Keep this manual for future reference.



**PLEASE DO NOT
RETURN THIS
PRODUCT
TO THE STORE**

We will be happy to correct any problems that you may have, or answer any of your questions regarding the purchase of this product. Please contact us at our Toll Free customer service number 1-800-599-8898 for any assistance and replacement parts. Thank You.

Dist. by TDC USA, Inc. Fairfield, NJ 07004

©2022 All Rights Reserved.

Made in China

Item 22633

www.tdcusainc.com

**WARNING!**

- **Keep all children and pets away from assembly area. Children and pets should be supervised when they are in the area of the product construction.**
- **Some parts may contain sharp edges. When assembling and using this product, basic safety precautions should always be.**
- **Please read all the instructions and warnings before assembling. In order to make the whole product adjust to the best, please install all the screws on the product and tighten all the screws after adjusting the product which can stand on the floor even. Not intended for commercial use.**
- **Check all bolts for tightness before use.**
- **IMPORTANT - check and tighten bolts often to keep them secure**

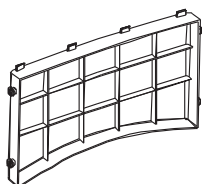
• **CHOKING HAZARD** - Small parts. Not suitable for children under 36 months. The product contains small parts, keep children away when assembling.

• **ADULT ASSEMBLY REQUIRED.**

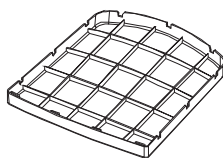
Always remove protective material and poly bags and dispose before assembly.



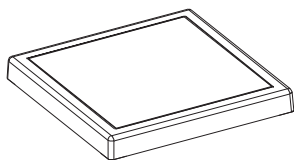
A1 (x2)
Chair Frame



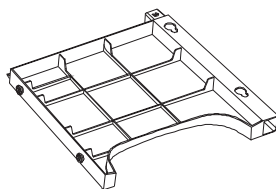
A2 (x2)
Chair Panel



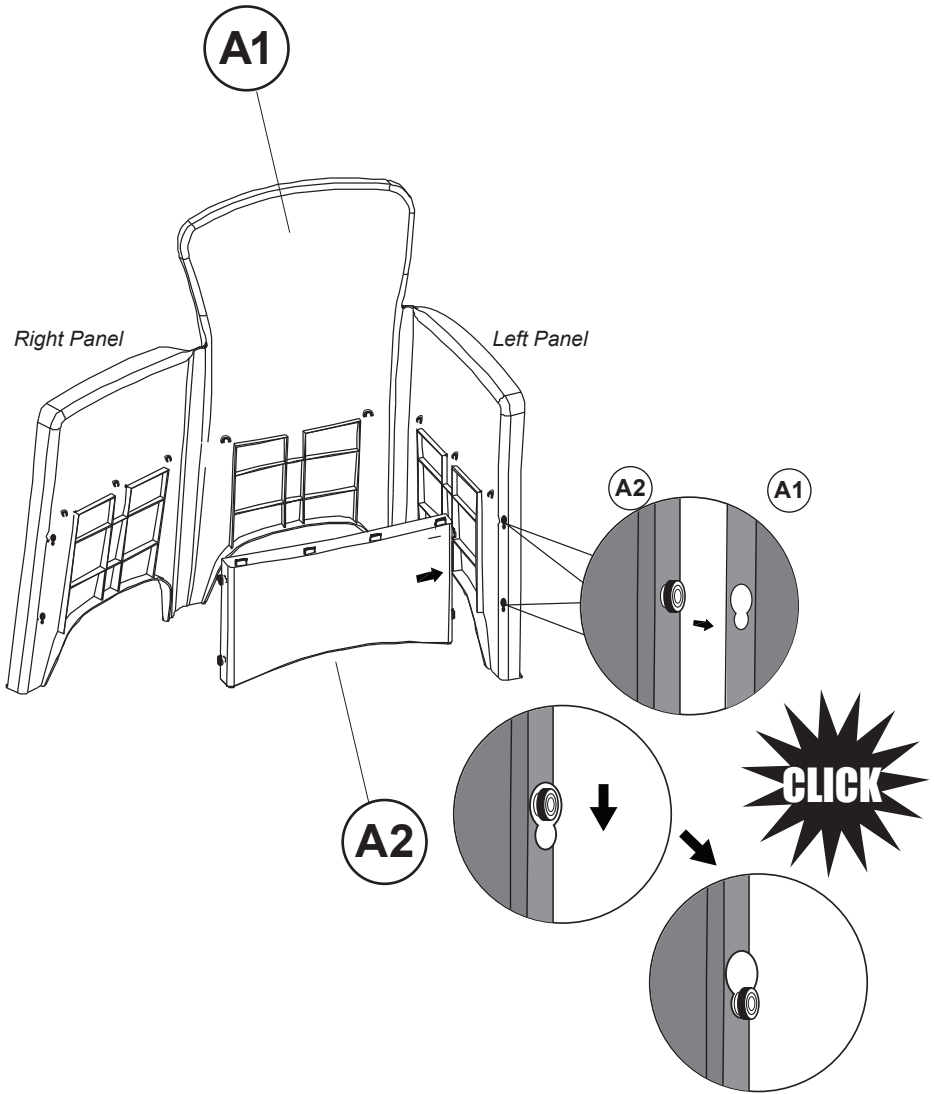
A3 (x2)
Chair Seat



B1 (x1)
Table Top

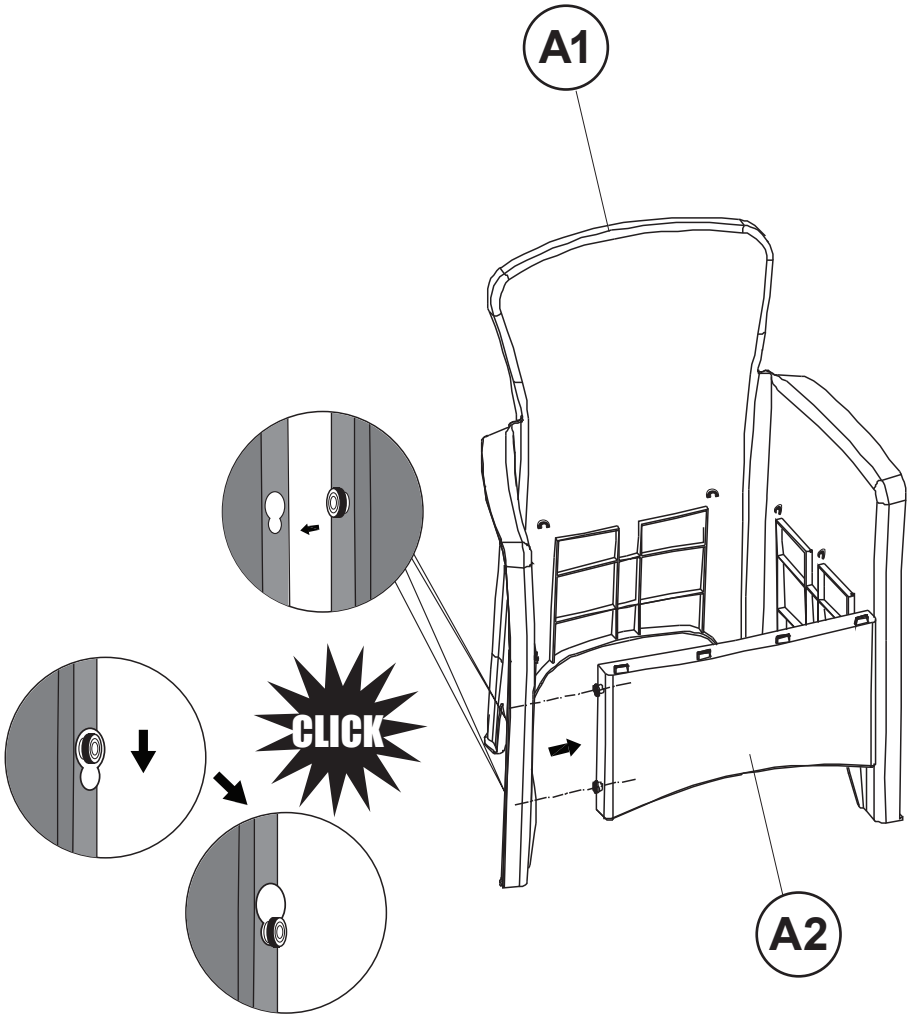


B2 (x4)
Table Panel



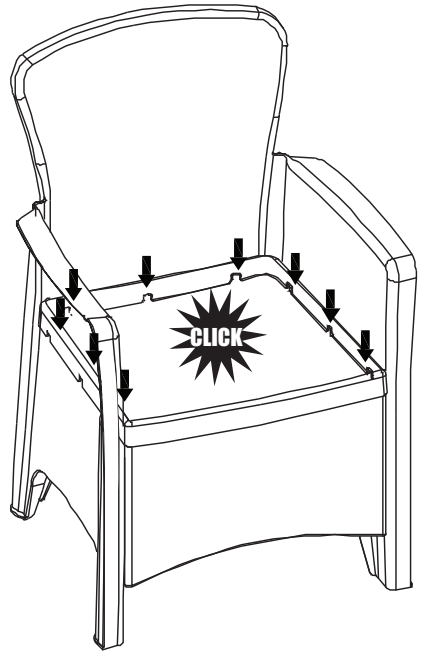
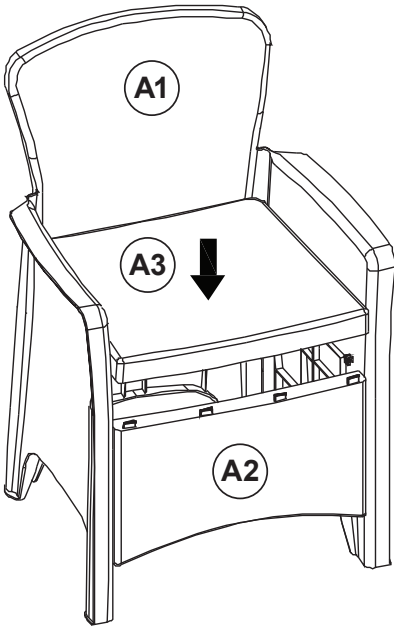
Step 1:

Insert studs on side of Chair Panel (A2) into the eyelets found near the front of the left panel of Chair Frame (A1). Apply weight on A2 to force studs into notches of those eyelets on A1. You'll hear a 'click' when parts are secured together.



Step 2:

Insert studs on side of Chair Panel (A2) into the eyelets found near the front of the right panel of Chair Frame (A1). Apply weight on A2 to force studs into notches of those eyelets on A1. You'll hear a 'click' when parts are secured together.

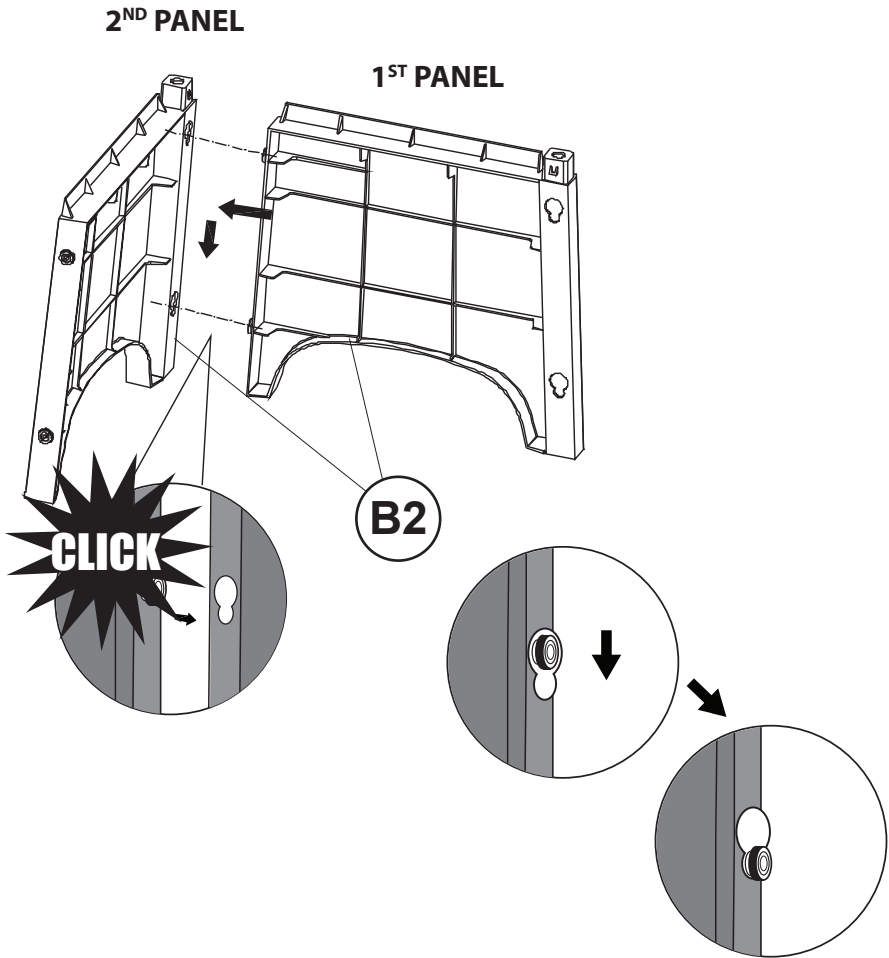


Step 3:

Place Chair Seat (A3) over previously assembled parts as illustrated above.

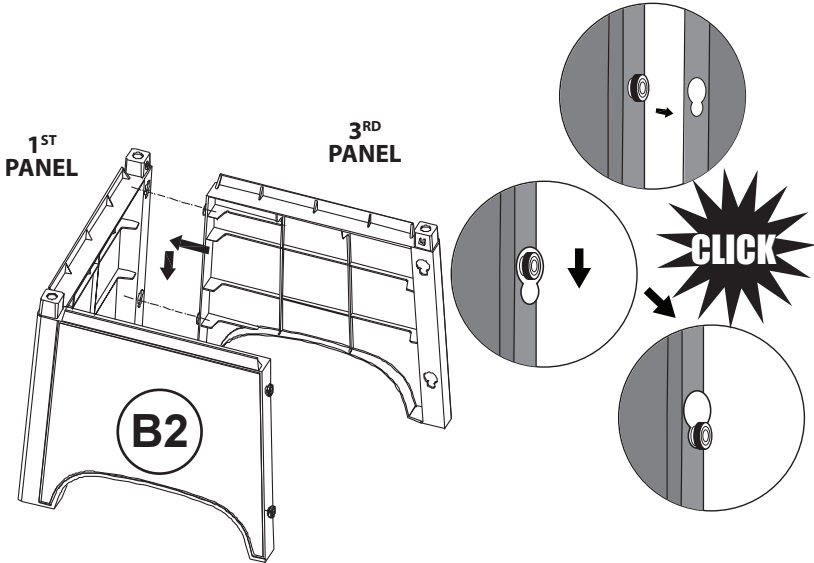
Assure that the notches underneath A3 on the bottom-right, left, and back line up with studs found on the right and left panels, and back of Chair Frame (A1). Assure that studs on top of Chair Panel (A2) line up with openings found on bottom-front of A3.

Apply weight on A3 so that part locks with A1 and A2. You'll hear a 'click' when parts are secured together.



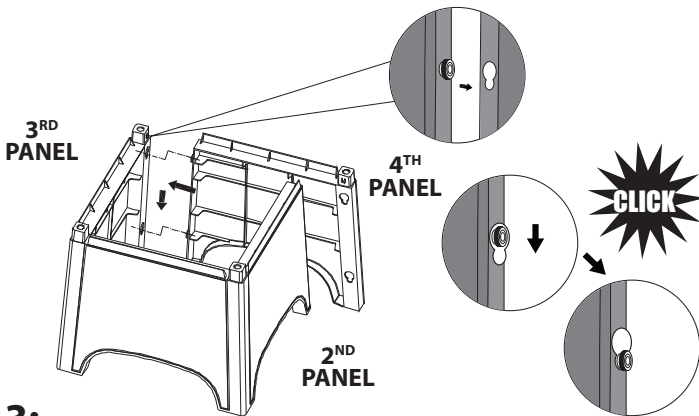
Step 1:

Insert two studs on the side of Table Panel (B2) into the eyelets on the back of a second B2. Apply weight on the first B2 to force studs into notches of those eyelets on the second B2. You'll hear a 'click' when parts are secured together.



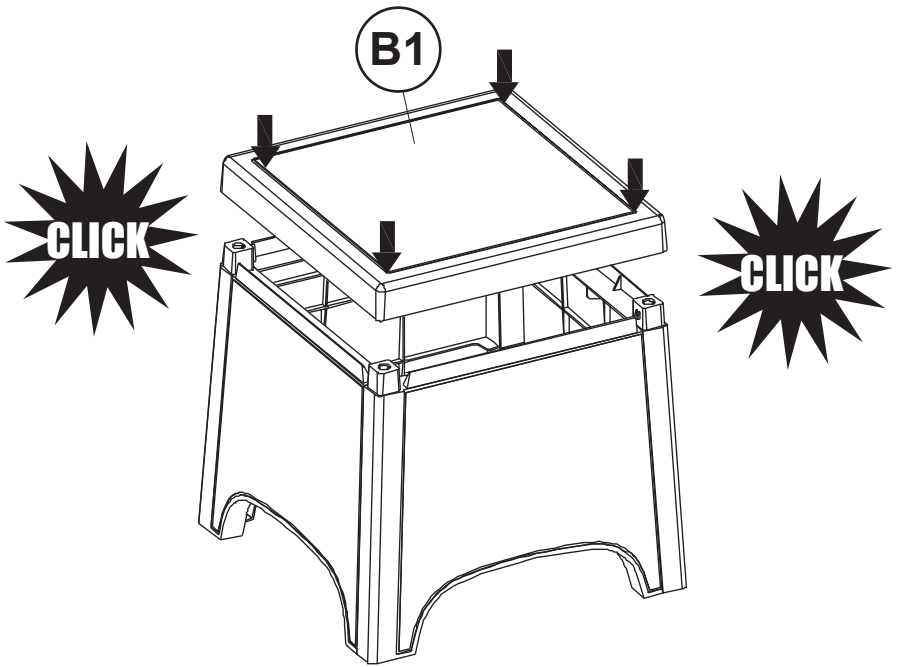
Step 2:

Insert two studs on the side of a third Table Panel (B2) into the eyelets on the back of the first B2. Apply weight on the third B2 to force studs into notches of those eyelets on the first B2. You'll hear a 'click' when parts are secured together.



Step 3:

Insert two studs on the side of the fourth Table Panel (B2) into the eyelets on the back of the third B2. Insert the two studs on the side of the second Table Panel (B2) into the eyelets on the back of the fourth B2. Apply weight on these B2's to force studs into notches of eyelets. You'll hear a 'click' when parts are secured together.



Step 4:

Place Table Top (B1) over previously assembled parts as illustrated above. When parts are lined up, apply weight to Table Top (B1) so that part lock in place. You'll hear a 'click' when parts are secured together.

LIMITED WARRANTY

Please contact our service hotline by phone, email, or fax when needing assistance with assembly or with faulty parts. This allows us to provide support in the event of possible operator errors.

All furniture manufactured and sold by TDC USA, Inc. is warranted to the original purchaser against defects in workmanship and materials. If a product manufactured by TDC fails during the first year from date of purchase under the terms of our limited warranty, TDC will replace the item at no charge. After one year, it will be the original purchaser's responsibility to pay for freight and packing. TDC reserves the right, in the case of discontinued or out of production models, to replace with an item of similar quality. (Glass breakage is not warranted.)

NOTE: You must retain original receipt to obtain warranty!

FRAMES:

Frames are warranted against defects in materials and workmanship from the date of original purchase. Damage to frames or welds due to commercial use, improper assembly, exposure to water and sub-freezing temperatures, and/or abuse are not covered.

FABRIC:

Fabric on cushions, slings, and umbrellas is warranted against separation at the seams. Fading, mildew, and/or discoloration due to exposure to elements, chemicals, and spills are not covered.

POWDER COAT AND/OR PAINT:

The finish is warranted against blistering, peeling, or cracking. Fading resulting from exposure to the elements, chemicals, and spills are not covered. Scratches and chips due to normal wear and use are not covered.

FREIGHT & PACKING:

TDC will be responsible for shipping, handling, and packaging charges for all valid warranty claims.

CARE & MAINTENANCE:

Be careful to never allow water build up in frames as this will cause corrosion and freeze damage in cold climates. Wash all frames with a solution of mild soap and water. Rinse with clean water and dry with a soft absorbent cloth towel. Frames can be treated with a liquid wax for maximum protection against UV rays and/or salty damp air. If your set includes cushions, slings, and/or an umbrella, they may be cleaned by hand with a solution of soap and water with a clean water rinse.

LIMITED WARRANTY EXCLUSIONS:

- Damage caused by acts of nature
- Wind damage
- Failure caused by unreasonable, unanticipated, or abusive use
- Failure caused by a lack of reasonable and necessary care and maintenance
- Normal fade of fabrics, upholstery, or woven materials
- Glass table tops
- Bursting or cracking of tubing due to exposure to water and freezing temperatures
- Changes in wood color due to the natural aging of the wood

***A sales receipt must be provided to validate
1-Year Limited Warranty.***

Customer Service:

Monday - Friday • 9:00 am - 5:00 pm

Phone: 800-599-8898

Email: support@tdcusainc.com

**TDC USA, Inc.
5 Industrial Rd, STE 1
Fairfield, NJ 07004-3017**

3 Piece Resin Wicker Conversation Set

Dist. by TDC USA, Inc. Fairfield, NJ 07004
©2022 All Rights Reserved. Made in China.
Item #22633

Questions and Comments
1-800-599-8898 (9 am - 5 pm EST)
www.tdcusainc.com