

# 3 Piece Wicker Set with Chaise

Steel Frame with powder coating



## Assembly Instructions

### **Made in Vietnam**

The owner's manual contains important safety information as well as assembly, use and maintenance instructions. Keep the packaging and bags away from children and dispose of all packaging properly before use. Keep this manual for future reference.



**PLEASE DO NOT  
RETURN THIS  
PRODUCT  
TO THE STORE**

**We will be happy to correct any problems that you may have, or answer any of your questions regarding the purchase of this product. Please contact us at our Toll Free customer service number 1-800-599-8898 for any assistance and replacement parts. Thank You.**

Dist. by TDC USA, Inc. Fairfield, NJ 07004

©2023 All Rights Reserved.

Made in Vietnam

Item 21955

[www.tdcusainc.com](http://www.tdcusainc.com)

**WARNING!**

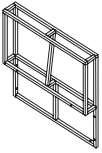
- **Keep all children and pets away from assembly area. Children and pets should be supervised when they are in the area of the product construction.**
- **Some parts may contain sharp edges. When assembling and using this product, basic safety precautions should always be.**
- **Please read all the instructions and warnings before assembling. In order to make the whole product adjust to the best, please install all the screws on the product and tighten all the screws after adjusting the product which can stand on the floor even. Not intended for commercial use.**
- **Check all bolts for tightness before use.**
- **IMPORTANT - check and tighten bolts often to keep them secure**

• **CHOKING HAZARD** - Small parts. Not suitable for children under 36 months. The product contains small parts, keep children away when assembling.

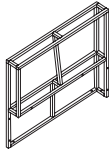
• **ADULT ASSEMBLY REQUIRED.**

Always remove protective material and poly bags and dispose before assembly.

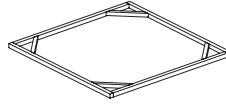
Parts | 4



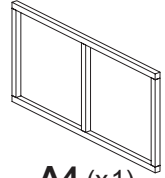
**A1 (x1)**  
Left Chair Back



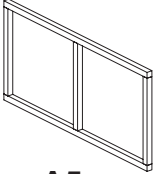
**A2 (x1)**  
Right Chair Back



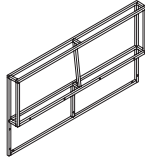
**A3 (x1)**  
Chair Seat



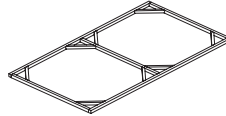
**A4 (x1)**  
Chair Panel



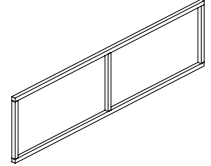
**A5 (x1)**  
Chair Panel



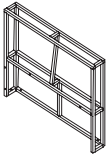
**B1 (x1)**  
Sofa Back



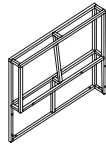
**B2 (x1)**  
Sofa Seat



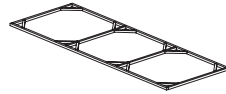
**B3 (x1)**  
Sofa Front Panel



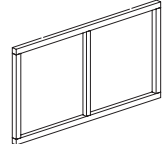
**C1 (x1)**  
Right Chaise Back



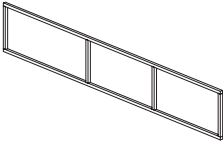
**C2 (x1)**  
Left Chaise Back



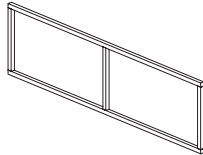
**C3 (x1)**  
Chaise Seat



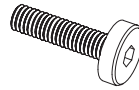
**C4 (x3)**  
Chaise Panel



**C5 (x1)**  
Chaise Long Panel



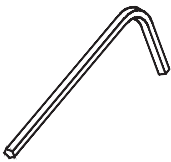
**C6 (x1)**  
Chaise Short Panel



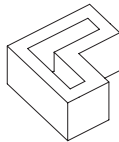
**1 (x55)**  
M6x35 Bolt



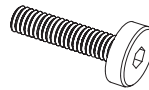
**2 (x56)**  
Washer



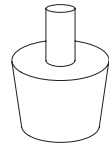
**3 (x2)**  
Hex Key



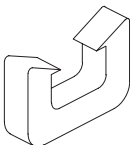
**4 (x13)**  
Corner Foot



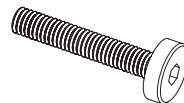
**5 (x26)**  
M6x26 Bolt



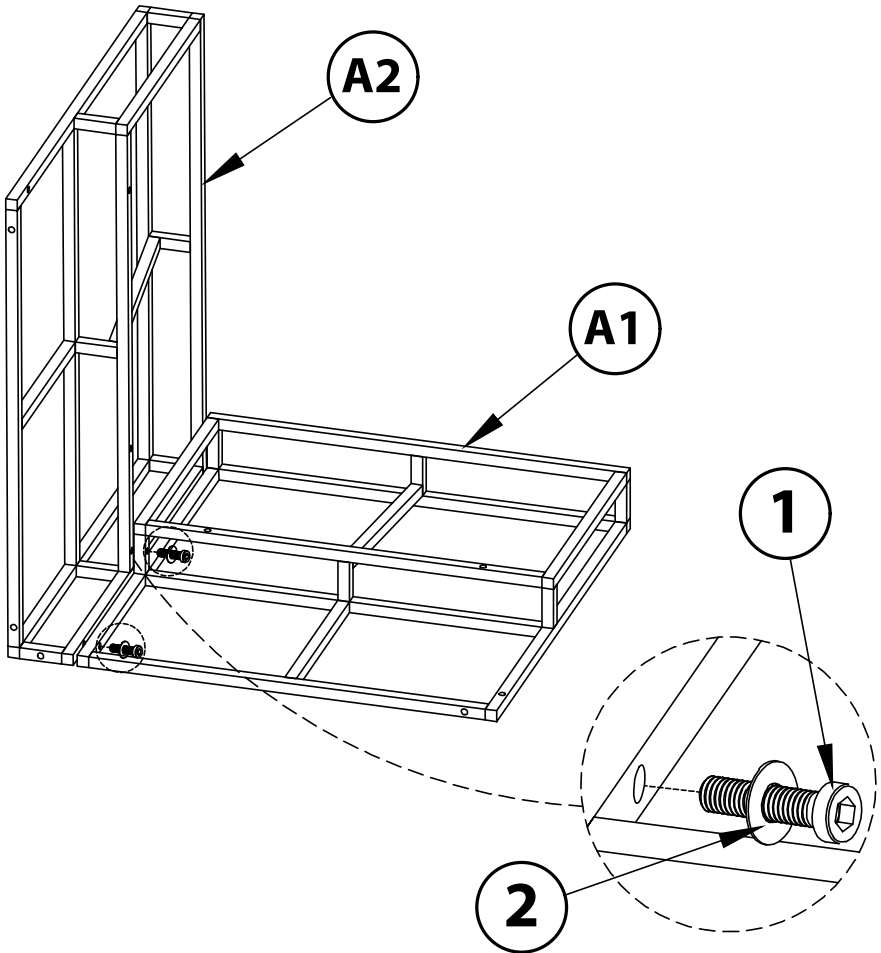
**6 (x6)**  
Foot



**7 (x4)**  
Clamp

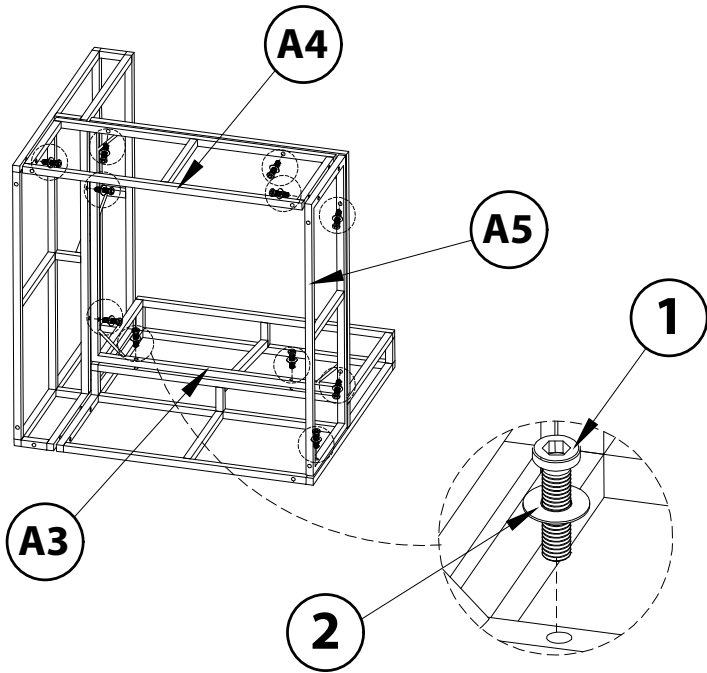


**8 (x1)**  
M6x55 Bolt



## Step 1:

Bring Left Chair Back (A1) and Right Chair Back (A2) together as illustrated here. Insert two M6x35 Bolts (1) with Washers (3) through the eyelets at the bottom of Left Chair Back (A1), and into bolt-threading found at the bottom of Right Chair Back (A2). **Do not tighten bolts down until you have completed Step 3 of assembly of this chair.**



## Step 2:

Insert two M6x35 Bolts (1) with Washers (3) through the eyelets underneath Chair Seat (A3), and into bolt-threading found at the bottom of the chair's back of part A1.

Insert two M6x35 Bolts (1) with Washers (3) through the eyelets underneath Chair Seat (A3), and into bolt-threading found at the bottom of the chair's back of part A2.

Insert two M6x35 Bolts (1) with Washers (3) through the eyelets at the top of Chair Panel (A4), and into the bolt-threading found underneath Chair Seat (A3).

Insert two M6x35 Bolts (1) with Washers (3) through the eyelets at the top of Chair Panel (A5), and into the bolt-threading found underneath Chair Seat (A3).

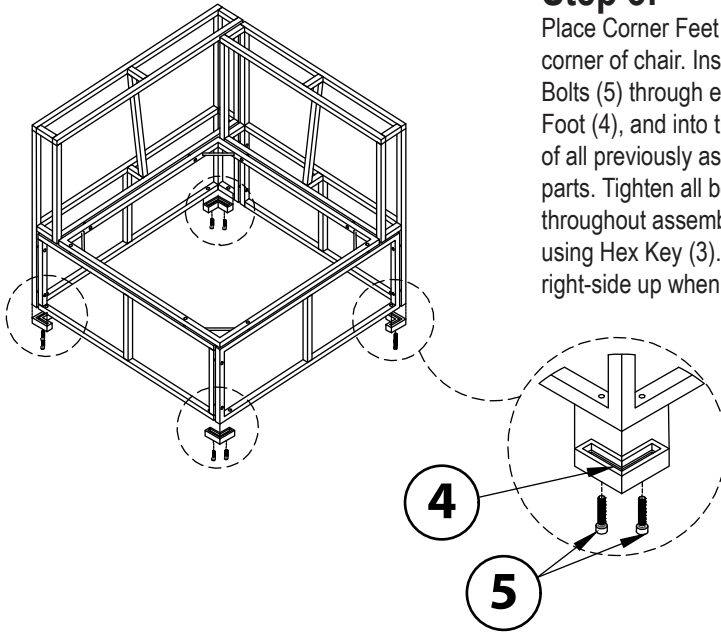
Insert one M6x35 Bolt (1) with Washer (3) through the eyelet on the side of Chair Panel (A5), and into the bolt-threading on the bottom of Left Chair Back (A1).

Insert one M6x35 Bolt (1) with Washer (3) through the eyelet at the side of Chair Panel (A4), and into the bolt-threading on the bottom of Right Chair Back (A2).

Insert one M6x35 Bolt (1) with Washer (3) through the eyelet at the side of Chair Panel (A4), and into the bolt-threading on the end of Chair Panel (A5).

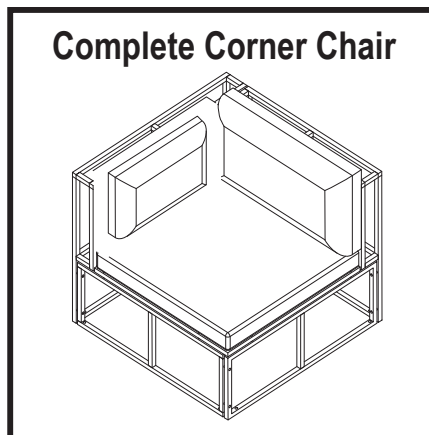
### Step 3:

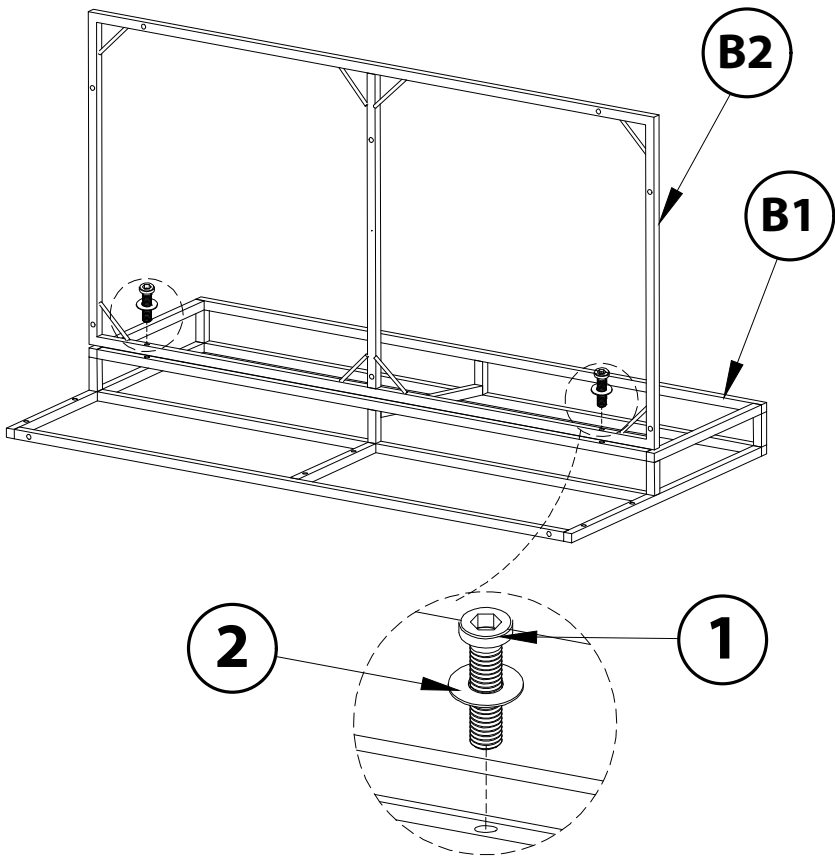
Place Corner Feet (4) at each corner of chair. Insert two M6x25 Bolts (5) through each Corner Foot (4), and into the bottoms of all previously assembled parts. Tighten all bolts left loose throughout assembly process using Hex Key (3). Turn the chair right-side up when finished.



### Step 4:

Place one seat cushion, one back cushion, and one side cushion on top when ready to use.



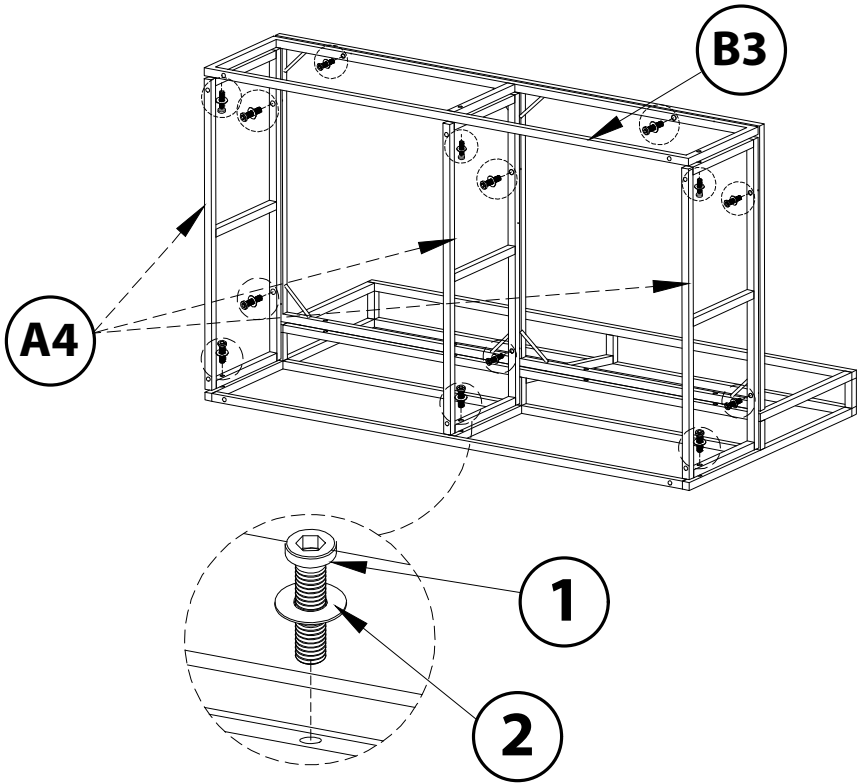


### Step 1:

Set the Sofa Back (B1) on a soft, non-abrasive surface as illustrated here.

Insert two M6x35 Bolts (1) with Washers (2) through eyelets found underneath Sofa Seat (B2), and into bolt-threading found at the bottom of the sofa's back of part B1. **Do not tighten bolts down until you have completed Step 3 of assembly of this sofa.**





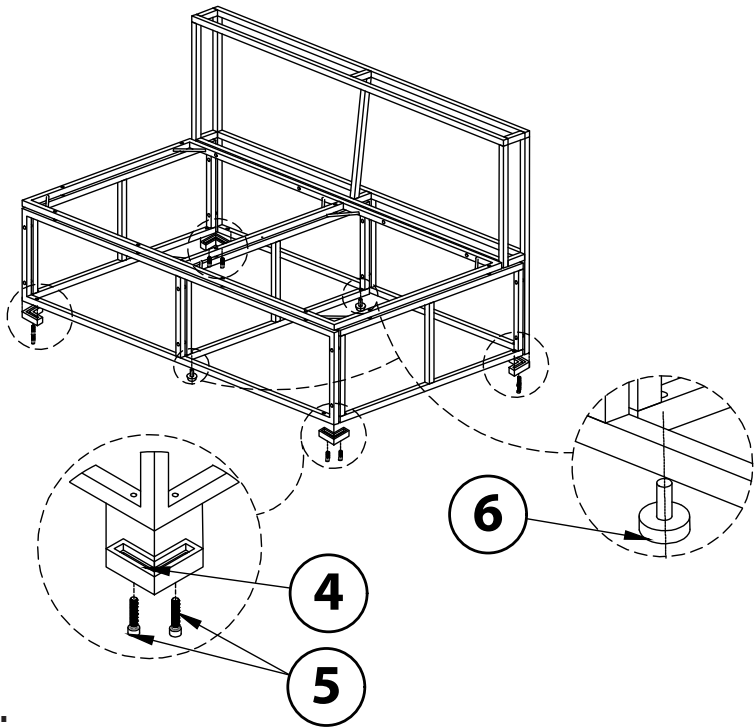
## Step 2:

Insert two M6x35 Bolts (1) with Washers (2) through eyelets found on top of Chair Panel (A4), and into bolt-threading found underneath Sofa Seat (B2). Follow this step to assemble two additional Chair Panels (A4) in the center, and opposite side of Sofa Seat (B2).

Insert one M6x35 Bolt (1) with Washer (2) through the eyelet found on the side of Chair Panel (A4), and into bolt-threading found at the bottom of Sofa Back (B1). Follow this step to connect the other Chair Panels (A4) in the center, and on the opposite side of Sofa Seat (B2).

Insert one M6x35 Bolt (1) with Washer (2) through the eyelet found on the side of Chair Panel (A4), and into bolt-threading found at the bottom of Sofa Front Panel (B3). Follow this step to connect the other Chair Panels (A4) in the center, and on the opposite side of Sofa Front Panel (B3).

Insert two M6x35 Bolts (1) with Washers (2) through eyelets found on top of Sofa Front Panel (B3), and into bolt-threading found underneath Sofa Seat (B2).

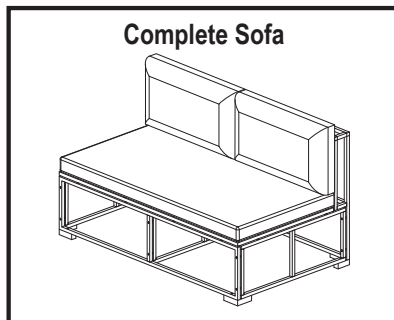


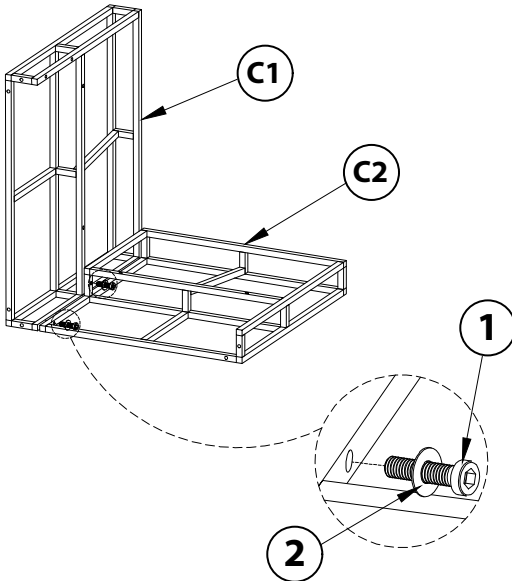
### Step 3:

Place Corner Feet (4) at each corner of sofa. Insert two M6x25 Bolts (5) through each Corner Foot (4), and into the bottoms of all previously assembled parts. Tighten all bolts left loose throughout assembly process using Hex Key (3). Insert two Feet (6) into the bolt-threading on the bottom of the middle Chair Panel (A4). Turn the sofa right-side up when finished.

### Step 4:

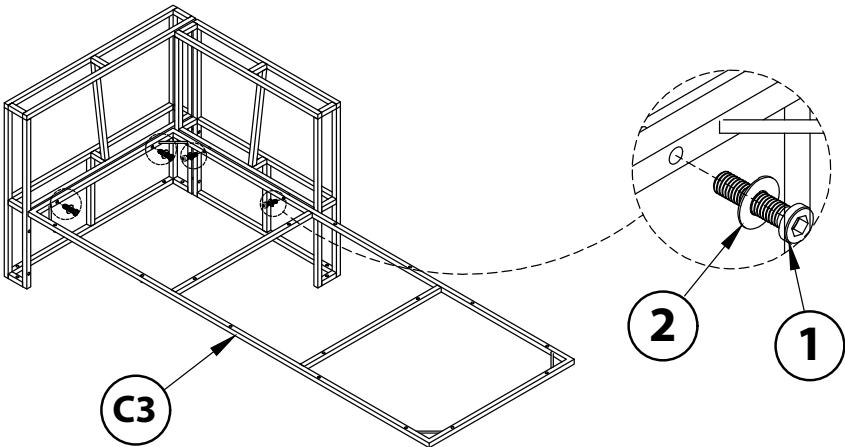
Place sofa cushion and two back cushions on top when ready to use.





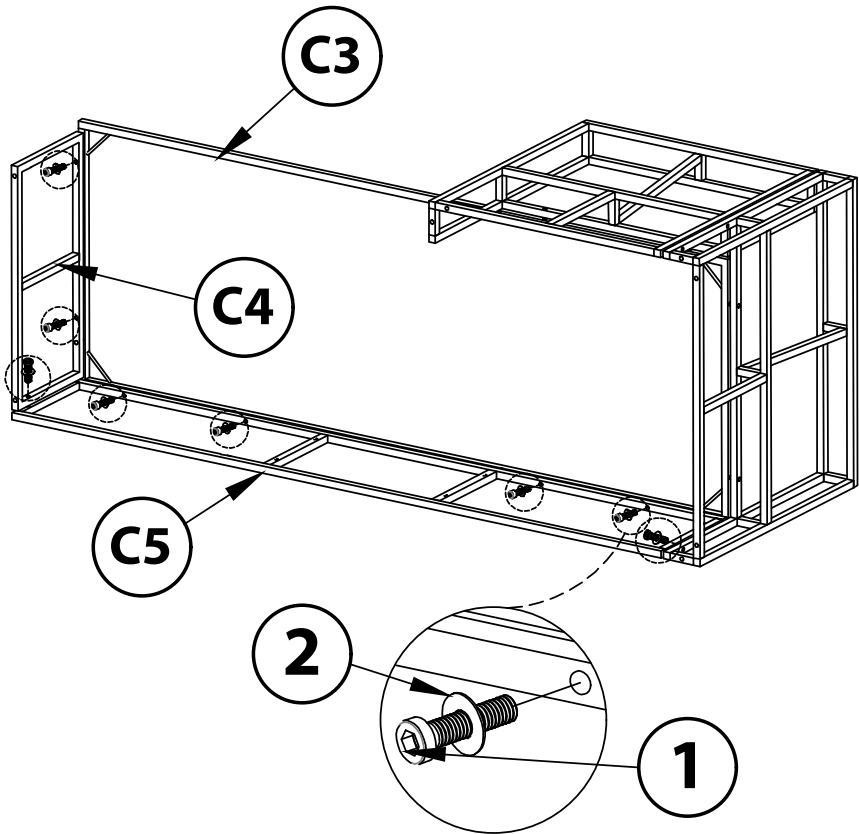
## Step 1:

Bring Right Chaise Back (C1) and Left Chaise Back (C2) together as illustrated here. Insert two M6x35 Bolts (1) with Washers (3) through the eyelets at the bottom of Left Chaise Back (C2), and into bolt-threading found at the bottom of Right Chaise Back (C1). **Do not tighten bolts down until you have completed Step 5 of assembly of this chaise.**



## Step 2:

Insert two M6x35 Bolts (1) with Washers (3) through the eyelets underneath Chaise Seat (C3), and into bolt-threading found at the bottom of the chaise's back of part C1. Insert two M6x35 Bolts (1) with Washers (3) through the eyelets underneath Chaise Seat (C3), and into bolt-threading found at the bottom of the chaise's back of part C2.



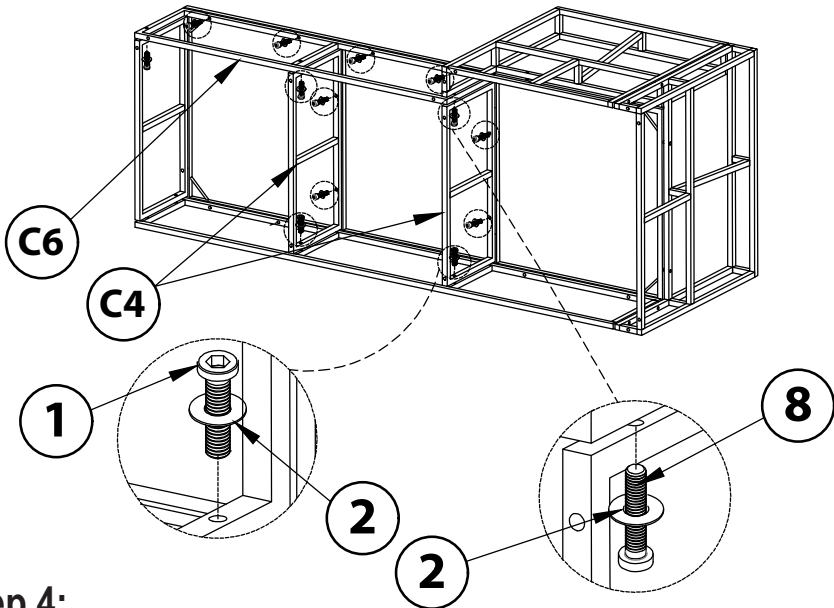
### Step 3:

Turn the previously assembled parts on their side as illustrated here. Insert four M6x35 Bolts (1) with Washers (3) through the eyelets at the top of Chaise Long Panel (C5), and into the bolt-threading found underneath Chaise Seat (C3).

Insert one M6x35 Bolt (1) with Washer (2) through the eyelet on the side of Chaise Long Panel (C5), and into the bolt-threading found on the bottom of Right Chaise Back (C1).

Insert two M6x35 Bolts (1) with Washers (2) through eyelets on the top of Chaise Panel (C4), and into the bolt-threading found underneath Chaise Seat (C3).

Insert one M6x35 Bolt (1) with Washer (2) through the eyelet on the side of Chaise Panel (C4), and into the bolt-threading at the end of Chaise Long Panel (C5).



#### Step 4:

Insert one M6x35 Bolt (1) with Washer (2) through the eyelet on the side of Chaise Panel (C4), and into the bolt-threading at the end of Chaise Short Panel (C6).

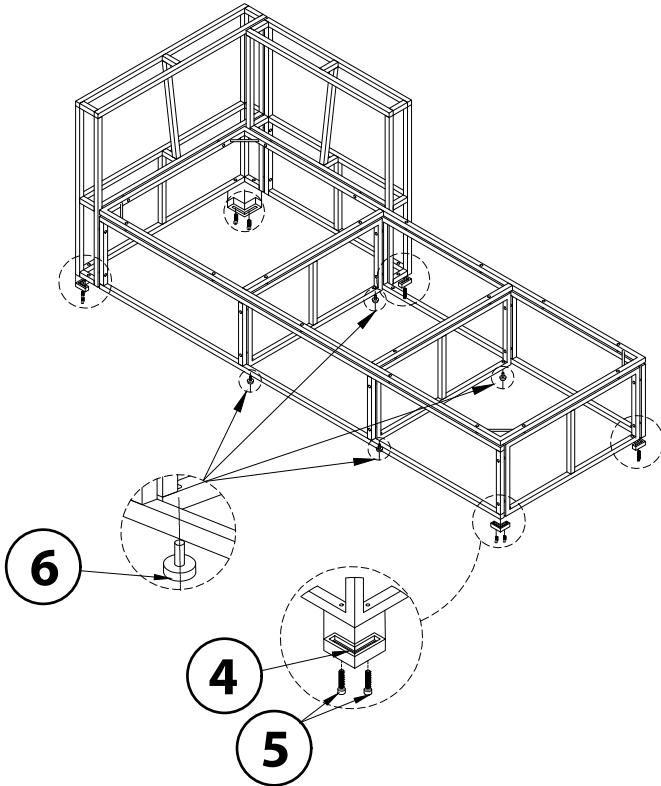
Insert four M6x35 Bolts (1) with Washers (2) through eyelets on the top of Chaise Short Panel (C6), and into the bolt-threading found underneath Chaise Seat (C3).

Place two Chaise Panels (C4) in between Chaise Long Panel (C5), and Chaise Short Panel (C6) as illustrated above.

Insert one M6x35 Bolt (1) with Washer (2) through the eyelet on the side of Chaise Panel (C4), and into the bolt-threading on the vertical bar of Chaise Long Panel (C5). Insert one M6x35 Bolt (1) with Washer (2) through the eyelet on the opposite side of Chaise Panel (C4), and into the bolt-threading at the center of Chaise Short Panel (C6). Insert two M6x35 Bolts (1) with Washers (2) through eyelets on the top of this Chaise Panel (C4), and into the bolt-threading found on the horizontal bar underneath Chaise Seat (C3).

Insert one M6x35 Bolt (1) with Washer (2) through the eyelet on the side of the next Chaise

Panel (C4), and into the bolt-threading on the vertical bar of Chaise Long Panel (C5). **Insert one M6x55 Bolt (8) with Washer (2) through the eyelet on the opposite side of Chaise Panel (C4), through the eyelet at the end of Chaise Short Panel (C6), and into the bolt-threading at the bottom of Left Chaise Back (C2).** Insert two M6x35 Bolts (1) with Washers (2) through eyelets on the top of this Chaise Panel (C4), and into the bolt-threading found on the horizontal bar

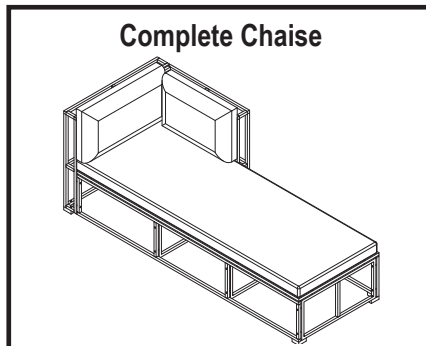


### Step 5:

Turn the chaise upside down. Place Corner Feet (4) at each corner as illustrated here. Insert two M6x25 Bolts (8) through each Corner Foot (4), and into bolt-threading found at the bottoms of all previously assembled parts. Tighten bolts left loose throughout assembly process using Hex Key (3). Screw in two Feet (6) into bolt-threading on the bottoms of the Chaise Panels (C4) underneath the chaise. Turn the chaise right-side up when finished.

### Step 6:

Place one chaise cushion, one back cushion, and one side cushion on top when ready to use.



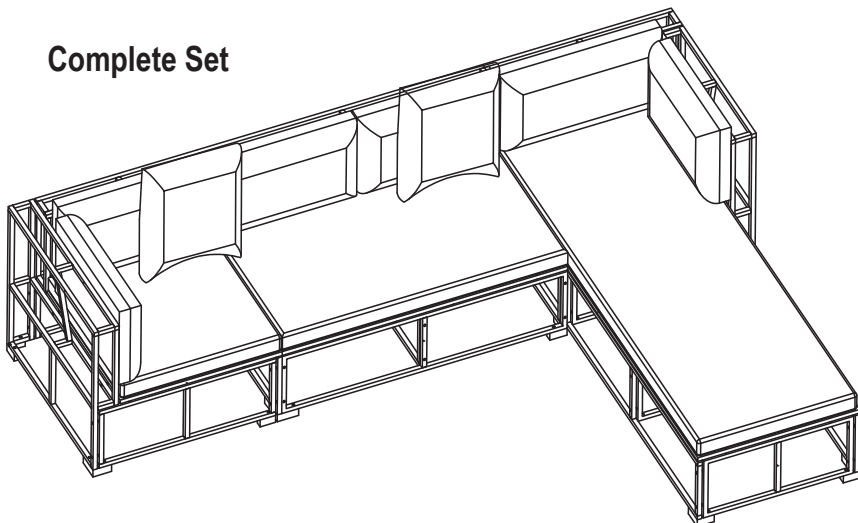


7

## Finish:

Use two Clamps (7) to lock the corner chair to the sofa by placing them over the frames of both seats. Use remaining two Clamps (7) to lock the opposite side of the sofa to the chaise.

## Complete Set



# **3 Piece Wicker Set with Chaise**

**Steel Frame with powder coating**

Dist. by TDC USA, Inc. Fairfield, NJ 07004  
©2023 All Rights Reserved. Made in Vietnam.  
Item #21955

**Questions and Comments**  
**1-800-599-8898 (9 am - 5 pm EST)**  
**[www.tdcusainc.com](http://www.tdcusainc.com)**