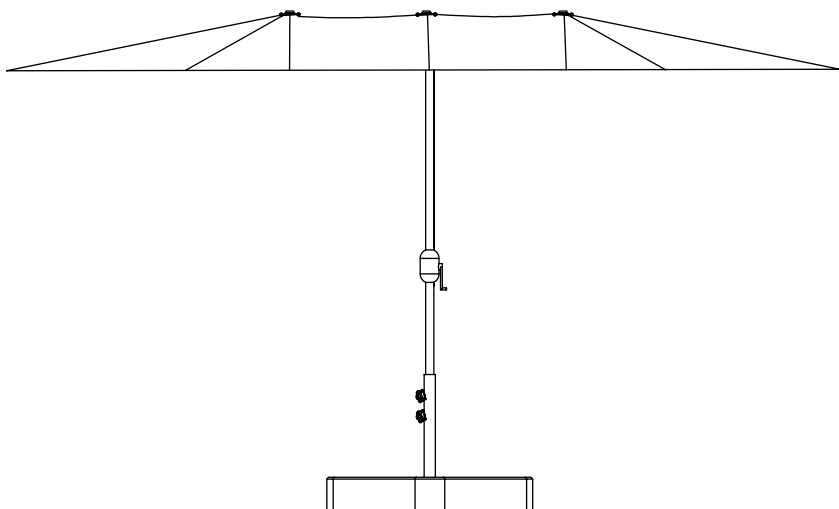


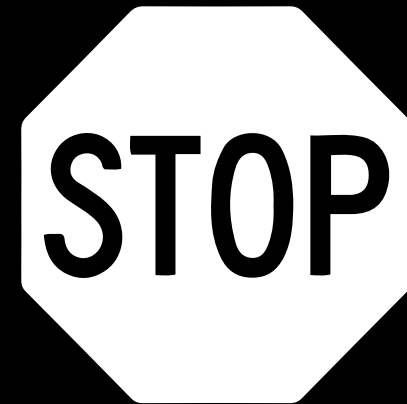
Double Umbrella



Assembly Instructions

Made in China

The owner's manual contains important safety information as well as assembly, use and maintenance instructions. Keep the packaging and bags away from children and dispose of all packaging properly before use. Keep this manual for future reference.



**PLEASE DO NOT
RETURN THIS
PRODUCT
TO THE STORE**

We will be happy to correct any problems that you may have, or answer any of your questions regarding the purchase of this product. Please contact us at our Toll Free customer service number 1-800-599-8898 for any assistance and replacement parts. Thank You.

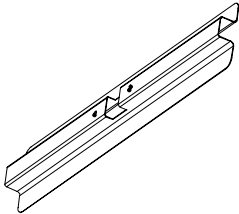
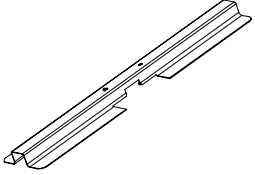

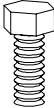
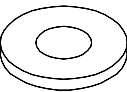
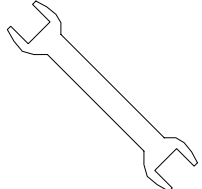
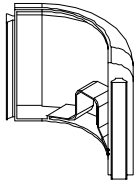
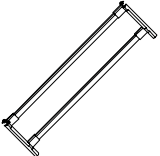
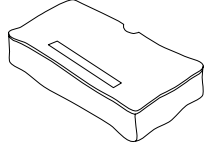
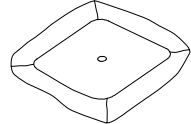
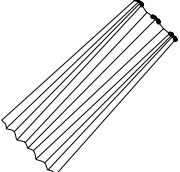
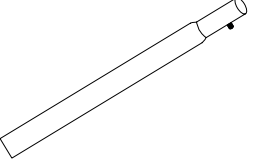
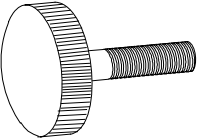
Dist. by TDC USA, Inc. Fairfield, NJ 07004
©2020 All Rights Reserved.
Made in China
Item 22519
www.tdcusainc.com

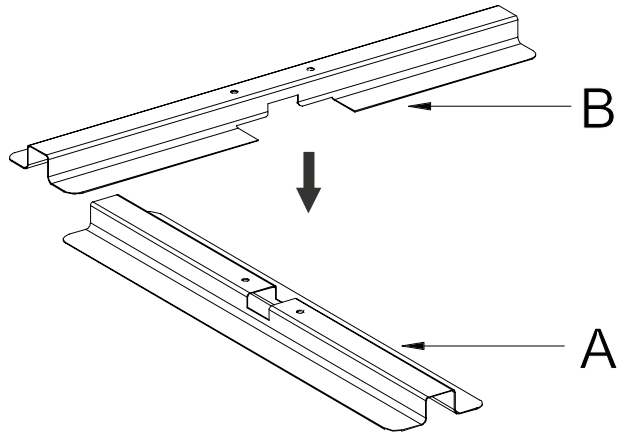
 **WARNING!**

- Keep all children and pets away from assembly area. Children and pets should be supervised when they are in the area of the product construction.
- Some parts may contain sharp edges. When assembling and using this product, basic safety precautions should always be.
- Please read all the instructions and warnings before assembling. In order to make the whole product adjust to the best, please install all the screws on the product and tighten all the screws after adjusting the product which can stand on the floor even. Not intended for commercial use.
- Check all bolts for tightness before use.
- **IMPORTANT** - check and tighten bolts often to keep them secure

• **CHOKING HAZARD** - Small parts. Not suitable for children under 36 months. The product contains small parts, keep children away when assembling.

• **ADULT ASSEMBLY REQUIRED.**
Always remove protective material and poly bags and dispose before assembly.

 <p>A (x1) Bottom Cross Bar</p>	 <p>B (x1) Top Cross Bar</p>	 <p>C (x1) Base Pole</p>
 <p>D (x4) M8x20 Bolt</p>	 <p>E (x4) Washer</p>	 <p>F (x1) Wrench</p>
 <p>G (x4) Frame Corner</p>	 <p>H (x4) Frame Panel</p>	 <p>J (x2) Sandbag</p>
 <p>K (x1) Cover</p>	 <p>L(x1) Umbrella Frame</p>	 <p>M(x1) Laser Pole</p>
 <p>N (x2) Locking knob</p>		

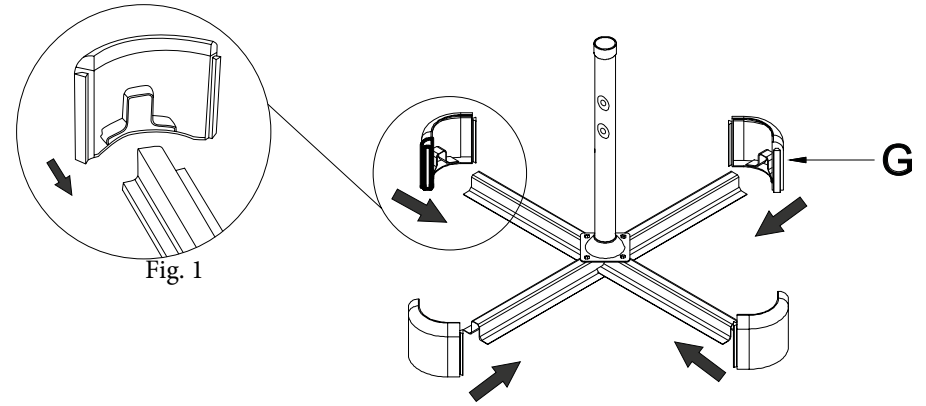
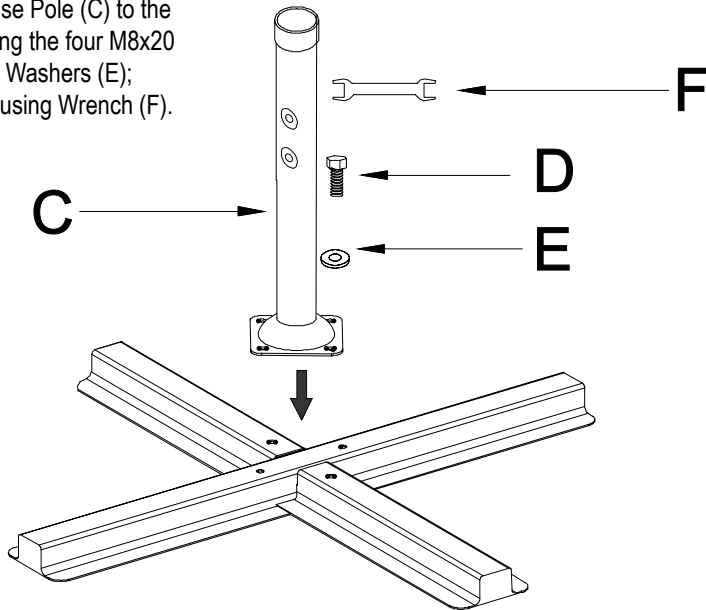


Step 1:

Place the Top Cross Bar (B) over the Bottom Cross Bar (A) to form an "X."

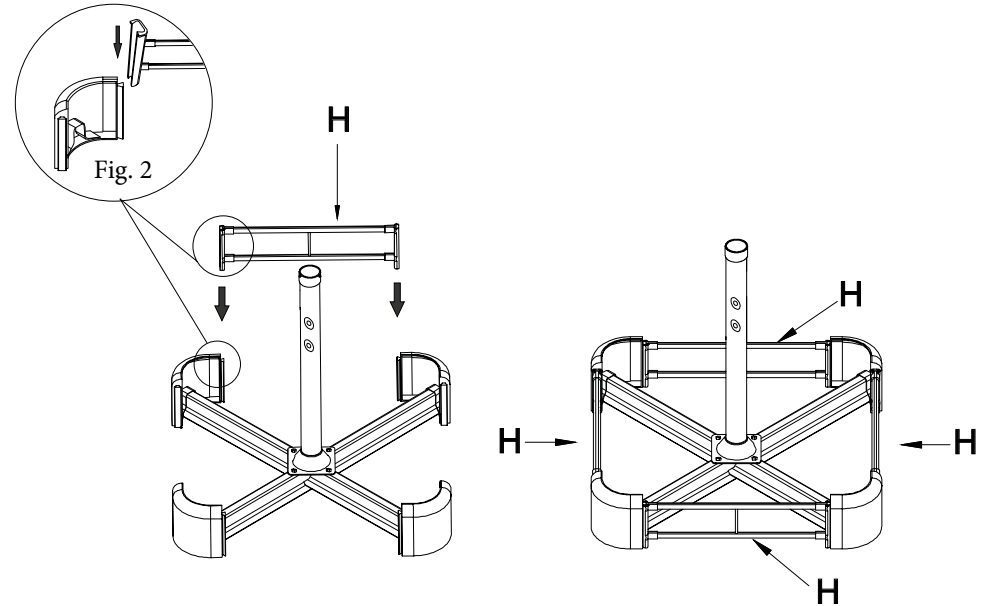
Step 2:

Attach the Base Pole (C) to the crossbars using the four M8x20 Bolts (D) with Washers (E); tighten down using Wrench (F).



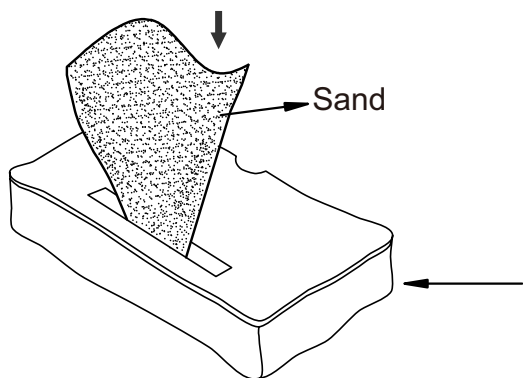
Step 3:

Insert Frame Corners (G) to the ends of Bottom Cross Bar (A) and Top Cross Bar (B); see Fig. 1.



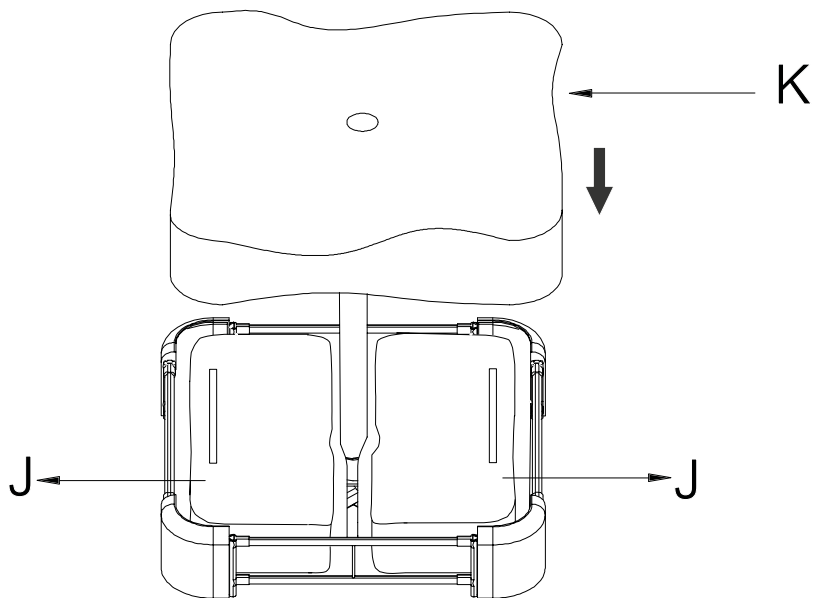
Step 4:

Insert Frame Panels (H) into Frame Corners (G) to form a square around previously assembled parts; see Fig. 2.



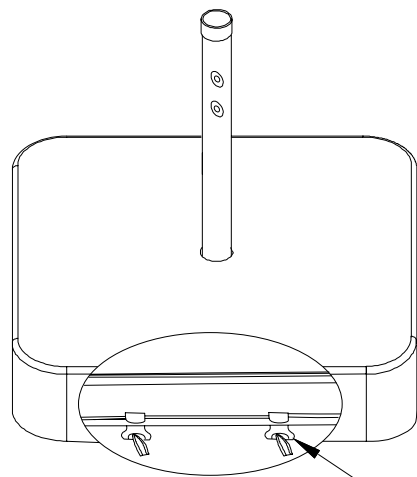
Step 5:

Pour 67.5lbs. of sand into each Sandbag (J) for a total of 135lbs. This amount is needed to maintain proper stability of your offset umbrella.



Step 6:

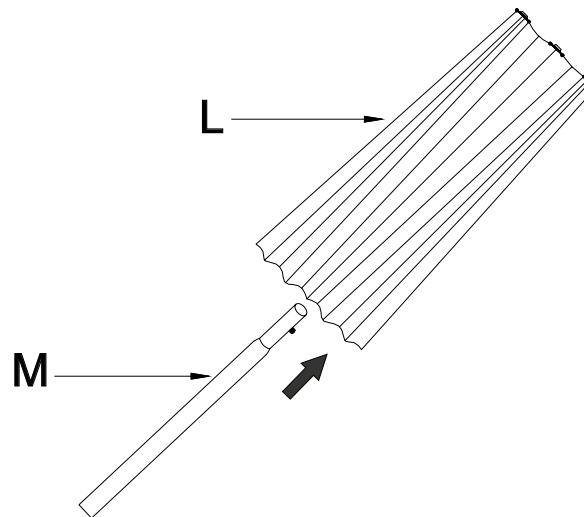
Place each 67.5lbs Sandbags (J) over the crossbars within the previously assembled frame. Place the Cover (K) over the sandbags and frame by inserting the Base Pole (C) through the hole in the covers center.



Metal Hook

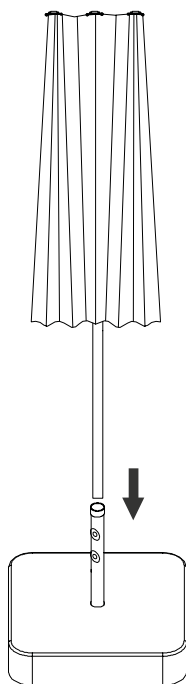
Step 7:

Use the eight hooks found underneath Cover (K) to clamp it down to the lower bar of each Frame Panel (H).



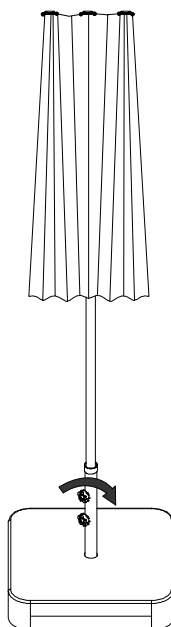
Step 8:

Connect the Lower Pole (M) into Umbrella Frame (L) by pushing in on pushpin of the lower pole and inserting it into the bottom of the umbrella frame. Lock parts together by allowing the pushpin to pop out of the hole found at the bottom of the umbrella frame.



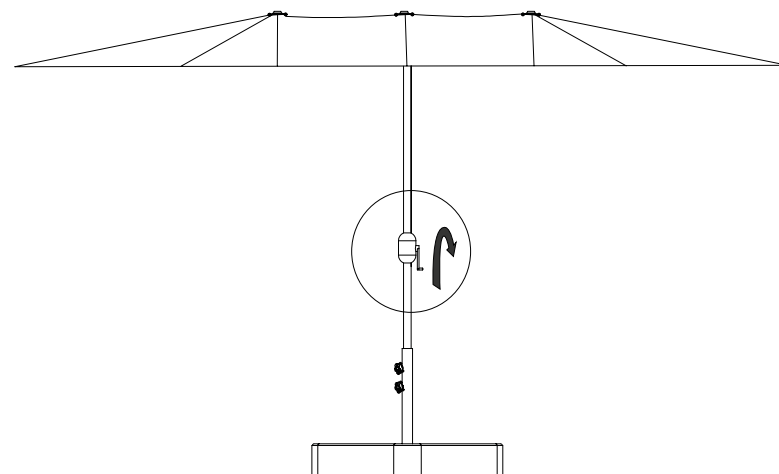
Step 9:

Insert the Umbrella frame (L) with Lower Pole (M) into the Base Pole (C).



Step 10:

Insert both Locking Knobs (N) into screw-threading found on the side of Base Pole (C) by turning them clockwise. Tighten both Locking Knob (E) until pressed against the pole of the Umbrella Frame (L) enough to hold it in place. Over tightening may dent or chip away at the protective coating of the umbrella frame.



Step 11:

Before opening the umbrella canopy for the first time, please be sure to have the Sandbags (J) in place to prevent the umbrella from tipping over. Turn the crank clockwise to open the umbrella canopy for the product to be used.

How to close the offset umbrella:

1. Close the umbrella canopy by turning the crank counterclockwise.
2. Use the ties found on the umbrella canopy to tie the canopy down.

When anticipating adverse weather:

1. After closing the canopy and tying it down, unscrew the Locking Knobs (N) by turning them to counterclockwise so that the Umbrella Frame (L) and Lower Pole (M) can be removed for the Base Pole (C).
2. Lift the Umbrella Frame (L) with Lower Pole (M) out of the Base Pole (C).
3. Unlatch the Lower Pole (M) from the bottom of the Umbrella Frame (L) by pushing in on pushpin and pulling the Lower pole (M) out of the Umbrella Frame (L).
4. Stow these parts in a sheltered space until ready to use again as shade from the sun.

Double Umbrella

Dist. by TDC USA, Inc. Fairfield, NJ 07004
©2020 All Rights Reserved. Made in China.
Item #22519

Questions and Comments
1-800-599-8898 (9 am - 5 pm EST)
www.tdcusainc.com