

10 Foot Offset Umbrella

Steel Frame with Powder Coating



INSTRUCTIONS

<i>Parts</i>	4
<i>Assembly</i>	5-8
<i>Warranty</i>	9-10


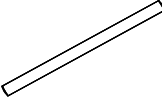
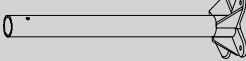
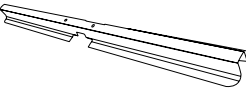
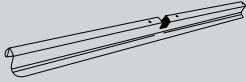
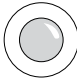
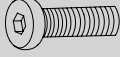
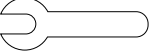
Customer Service

1-800-599-8898

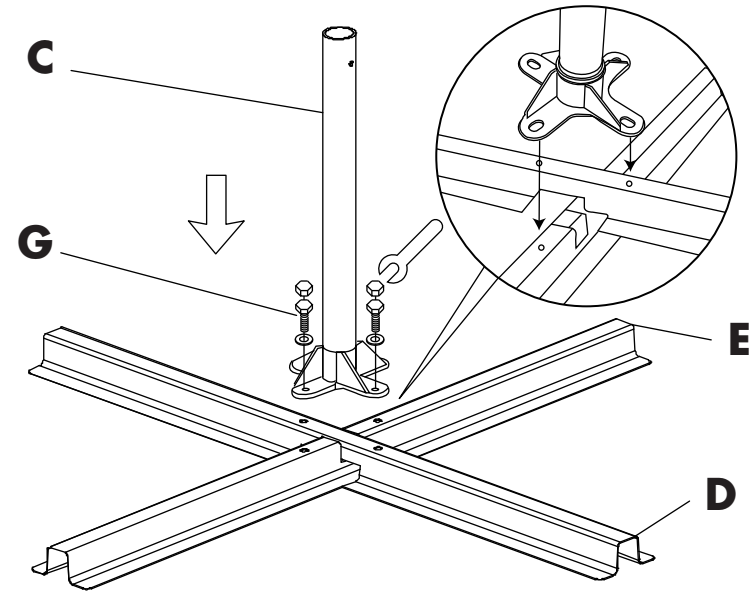
Getting Started

Identify all parts packaged in carton against the parts list. Remove all protective materials and place parts on a non-abrasive surface to avoid scratching. If any parts are missing or damaged, DO NOT attempt to assemble. Please contact our customer service center (Monday-Friday 9:00am – 5:00pm EST) at 1-800-599-8898 or email: support@tdcusainc.com.

Caution: Read all the instructions before assembly. Failure to do so may result in faulty assembly and potential injury! Assemble product on a soft, non-abrasive surface such as a carpet or cardboard to avoid damaging the item. Seek assistance to assemble bulky or heavy items. After final alignment, make sure all bolts and nuts are securely tightened with screw covers pressed in place.

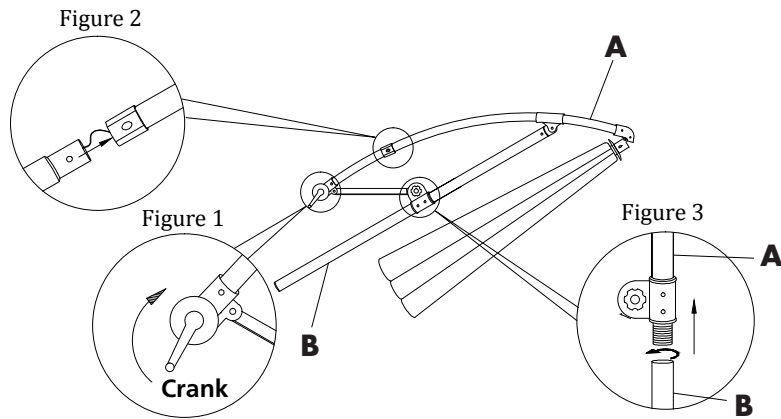
A	Umbrella Frame		1
B	Lower Pole		1
C	Umbrella Base Pole		1
D	Top Cross Bar		1
E	Bottom Cross Bar		1
F	Locking Knob		1
G	Bolt (M8 * 15 MM)		4
H	Wrench		1

Step 1:



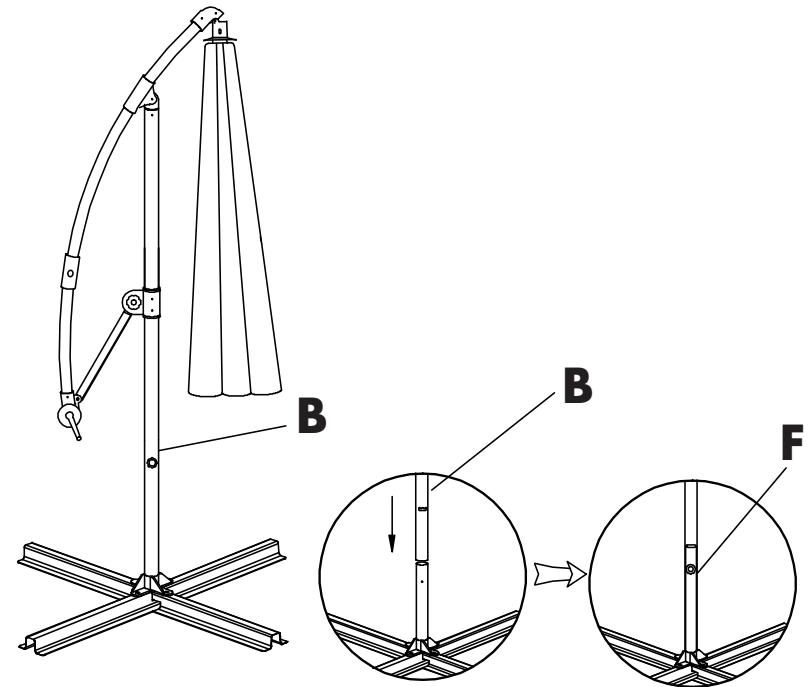
Place the Top Leg Base (D) over the Bottom Leg Base (E) to form an “x”. Attach the Umbrella Base Pole (C) to the Base Legs and screw tightly with the 4 provided bolts (G).

Step 2:

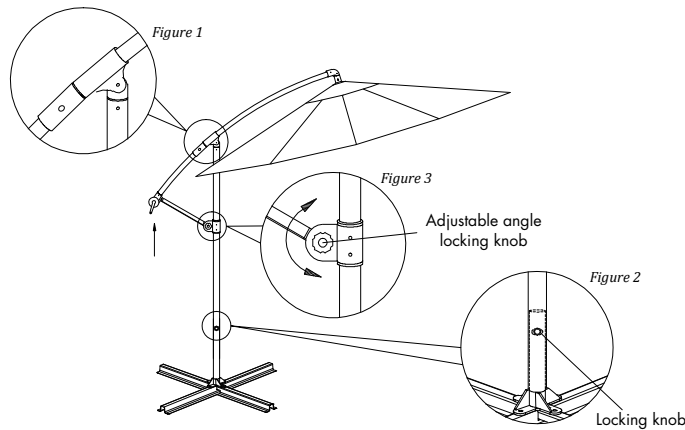


In order to put the umbrella together, close the umbrella properly by cranking the umbrella clockwise as shown in Figure 1. As the umbrella is being cranked, make sure the rope stays inside the poles and does not get tangled as shown in figure 2, and then snap the curved pole together. Screw the Lower Pole (B) to the Umbrella Frame (A) as shown in figure 3.

Step 3:

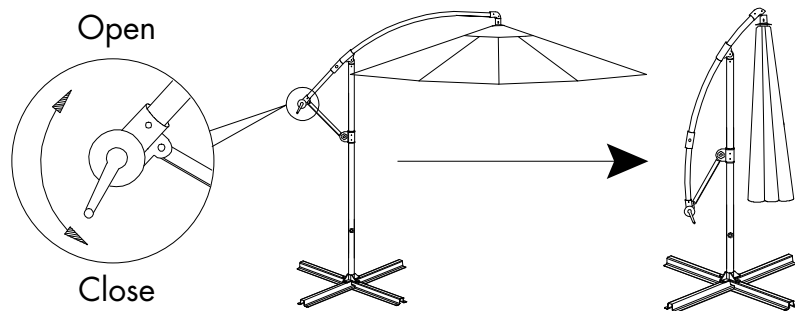


Place a water or sand based counter-weight (not included) onto the base to stabilize the umbrella. Other weights such as cinderblocks or sandbags would work as well. Insert the Lower Pole (B) into the Umbrella Base Pole (C). Tighten with the Locking Knob (F).



How To Open The Umbrella

1. Push the curved umbrella frame to the top as shown in figure 1.
2. Tighten the locking knob to lock the umbrella position as shown in figure 2.
3. Turn the crank clockwise to open the umbrella.
4. Loosen the adjustable angle locking knob to angle the umbrella canopy to desired position (figure 3).
5. Now enjoy your new offset umbrella.



How To Close The Umbrella

1. Turn the crank counterclockwise to close the umbrella
2. Loosen the adjustable angle locking knob and pull the curved umbrella frame down to the bottom.
3. Tie the umbrella to the pole.

Please close the umbrella and tie it securely in severe weather or strong winds.

LIMITED WARRANTY

Please contact our service hotline by phone, email or fax before sending the device. This allows us to provide support in the event of possible operator errors.

All furniture manufactured and sold by TDC USA, Inc. is warranted to the original purchaser against defects in workmanship and materials. If a product manufactured by TDC fails during the first year from date of purchase under the terms of our limited warranty, TDC will replace the item at no charge. After one year, it will be the original purchasers' responsibility to pay for freight and packing. TDC reserves the right, in the case of discontinued or out of production models, to replace with an item of similar quality. (Glass breakage is not warranted.)

Note: You must retain original receipt to obtain warranty!

Frames:

Frames are warranted against defects in materials and workmanship from the date of original purchase. Damage to frames or welds due to commercial use, improper assembly, exposure to water and sub-freezing temperatures, and/or abuse are not covered.

Fabric:

Fabric on cushions, slings, and umbrellas is warranted against separation at the seams. Fading, mildew, and/or discoloration due to exposure to elements, chemicals, and spills are not covered.

Powder coat and/or Paint:

The finish is warranted against blistering, peeling, or cracking. Fading resulting from exposure to elements, chemicals, and spills are not covered. Scratches and chips due to normal wear and use are not covered.

Umbrella:

Umbrella frames are warranted against manufacturer's defects in workmanship and materials.

Safety Warning! Umbrellas must be closed when not in use and taken down in windy conditions.

Freight & Packing:

TDC will be responsible for shipping, handling, and packaging charges for all valid warranty claims.

Care & Maintenance:

Be careful to never allow water build up in frames as this will cause corrosion and freeze damage in cold climates. Wash all frames with a solution of mild soap and water. Rinse with clean water and dry with a soft absorbent cloth towel. Frames can be treated with a liquid wax for maximum protection against UV rays and/or salty damp air. If your set includes cushions, slings, and/or an umbrella, they may be cleaned by hand with a solution of soap and water with a clean water rinse.

EXCLUSION:

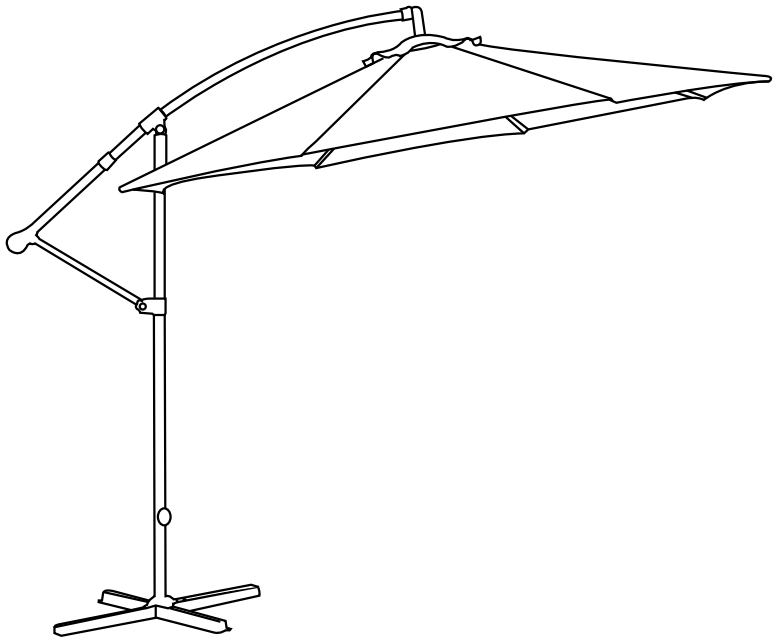
- Damage caused by acts of nature
- Wind damage
- Failure caused by unreasonable, unanticipated or abusive use
- Failure caused by a lack of reasonable and necessary care and maintenance
- Normal fade of fabrics, upholstery or woven materials
- Glass table tops
- Bursting or cracking of tubing due to exposure to water and freezing temperatures
- Changes in wood color due to the natural aging of the wood

Lack of original receipt will void warranty.

Customer Service: Monday-Friday 9:00am-5:00pm EST

By Phone: 800-599-8898

By E-mail: support@tdcusainc.com



Distributed By T.D.C. USA INC.

Fairfield, NJ 07004

©2016 All Rights Reserved. Made in China

?/Comments: 1-800-599-8898 9am-5pm EST

www.tdcusainc.com