

GARDENLINE®

10 Foot Offset Umbrella

User Guide



Now that you have purchased a Gardenline® product you can rest assured in the knowledge that as well as your 2 year parts and labor guarantee you have the added peace of mind of dedicated helplines and web support.

AFTER SALES SUPPORT

☎ 1800 599 8898 🌐 support@tdcusainc.com

MODEL: 1958/21224-14

2

YEAR WARRANTY

Contents

- 1 Introduction
- 2 Parts List
- 3 Getting Started
- 4 Assembly Instructions
- 5 Instructions for Use
- 6 Warranty

Introduction

1

Congratulations!

You have made an excellent choice with the purchase of this quality Gardenline® product. By doing so you now have the assurance and peace of mind which comes from purchasing a product that has been manufactured to the highest standards of performance and safety, supported by the high quality standards of ALDI.

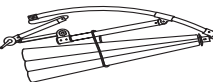


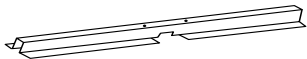
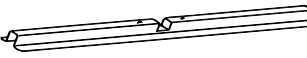
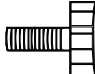

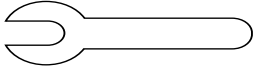
We want you to be completely satisfied with your purchase so this Gardenline® product is backed by a comprehensive manufacturer's 2 year warranty and an outstanding after sales service through our dedicated Helpline.

We hope you will enjoy using your purchase for many years to come.

If you require technical support or in the unlikely event that your purchase is faulty please telephone our Helpline for immediate assistance. Faulty product claims made within the 2 year warranty period will be repaired or replaced free of charge provided that you have satisfactory proof of purchase (keep your receipt). This does not affect your statutory rights. However, be aware that the warranty will become null and void if the product is found to have been deliberately damaged, misused or disassembled.

Parts List

2

Parts			
	Picture	Description	Qty
A		Umbrella Frame	1
B		Lower Pole	1
C		Bottom Pole	1
D		Top Cross Bar	1
E		Bottom Cross Bar	1
F		Angle Adjust Knob	1
G		Bolt (M8*15MM)	4
H		Wrench	1

Getting Started

3

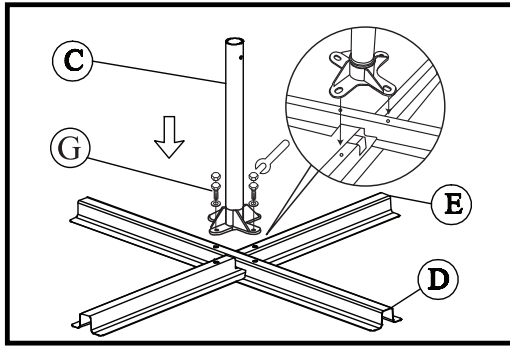
Identify all parts packaged in carton against the parts list. Remove all protective materials and place parts on a non-abrasive surface to avoid scratching. If any parts are missing or damaged, **DO NOT** attempt to assemble. Please contact our customer service center (Monday-Friday 9:00am – 5:00pm EST) at 1-800-599-8898.

Caution

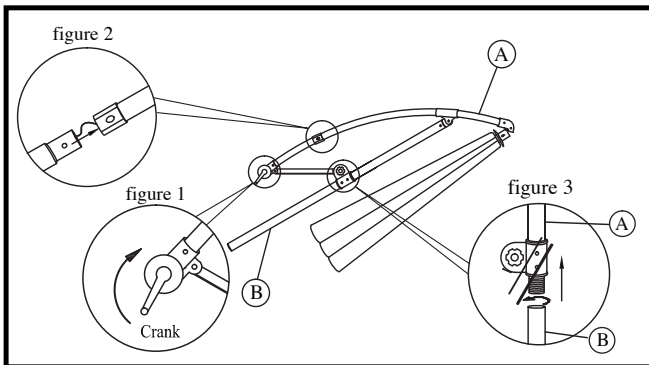
Read all the instructions before assembly. Failure to do so may result in faulty assembly and potential injury! Assemble product on a soft, non-abrasive surface such as a carpet or cardboard to avoid damaging the item. Seek assistance to assemble bulky or heavy items. After final alignment, make sure all bolts and nuts are securely tightened with screw covers pressed in place.

Assembly Instructions

4



1. Place the Top Leg Base (D) over the Bottom Leg Base (E) to form an "x". Attach the Umbrella Base Pole (C) to the Base Legs and screw tightly with the 4 provided bolts (G).

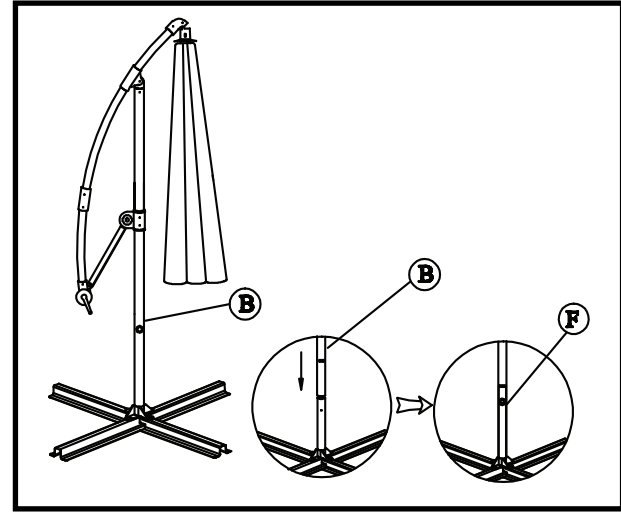


2. In order to put the umbrella together, close the umbrella properly by cranking the umbrella clockwise as shown in Figure 1. As the umbrella is being cranked, make sure the rope stays inside the poles and do not get tangled as shown in figure 2, and then snap the curved pole together. Screw the Lower Pole (B) to the Umbrella Frame (A) as shown in figure 3.

6

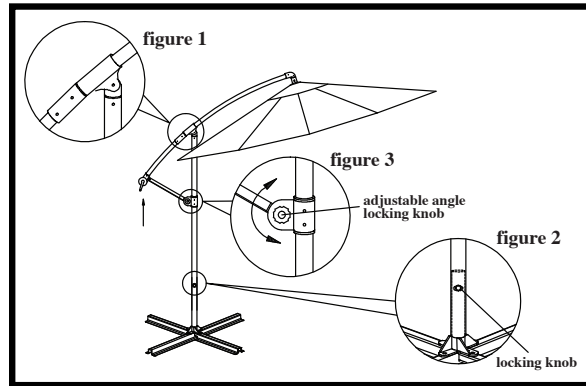
Assembly Instructions

4



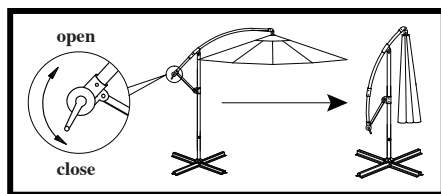
3. Place weights (cinder blocks, sandbags, etc.) onto the base to stabilize the umbrella (weights not included). Insert the Lower Pole (B) into the Umbrella Base Pole (C). Tighten with the Locking Knob (F).

7



How to open the umbrella

1. Push the curved umbrella frame to the top as shown in figure 1.
2. Tighten the locking knob to lock the umbrella position as shown in figure 2.
3. Turn the crank clockwise to open the umbrella.
4. Loosen the adjustable angle locking knob to angle the umbrella canopy to desired position (figure 3).
5. Now enjoy your new offset umbrella.



How to close the umbrella

1. Turn the crank counterclockwise to close the umbrella
2. Loosen the adjustable angle locking knob and pull the curved umbrella frame down to the bottom.
3. Tie the umbrella to the pole.

Please close the umbrella and tie it securely in severe weather or strong winds.

Two Year Limited Warranty

All furniture manufactured and sold by Aldi is warranted to the original purchaser against defects in workmanship and materials, provided the item was a factory sealed at the time of purchase and is maintained with care and used only for personal purposes. If a product fails during the first two years from date of purchase under the terms of our limited warranty, the manufacturer will replace the item at no charge. If the item was purchased as an open box, previously returned, or clearance item, the purchaser may obtain replacement parts for a nominal cost if parts are still available. After two years, it will be the original purchasers' responsibility to pay for freight and packing. The manufacturer reserves the right, in the case of discontinued or out of production models, to replace with an item of similar quality. Warranty is to the original purchaser and is non-transferable.

Note: You must retain original receipt to obtain warranty!

Frame

The frame is warranted against defects in materials and workmanship from the date of original purchase. Damage to frame or welds due to commercial use, improper assembly, exposure to water and sub-freezing temperatures, and/or abuse are not covered.

Steel components are treated with rust inhibiting paint that protects them from rust. However, due to the nature of steel, rusting will occur if the protective coating is scratched. It is recommended that care be taken when assembling and handling the product in order to prevent the paint from being scratched. If scratching or damage

Warranty

6

occurs, it is recommended that the area be touched up immediately with rust inhibiting paint. Surface rust can be removed easily using a very light application of common cooking oil. If rusting occurs and is not treated correctly, the oxidation may start dripping onto the deck or patio. This may result in stains that are difficult to remove.

Fabric

Umbrella fabric is warranted against separation at the seams. Fading, mildew, and/or discoloration due to exposure to elements, chemicals, and spills are not covered.

Umbrella

Umbrella frames are warranted against manufacturer's defects in workmanship and materials.

Safety Warning! Umbrellas must be closed when not in use and taken down in windy conditions.

Powder coat and/or Paint

The finish is warranted against blistering, peeling, or cracking. Fading resulting from exposure to elements, chemicals, and spills are not covered. Scratches and chips due to normal wear and use are not covered

Freight & Packing

The manufacturer will be responsible for shipping, handling, and packaging charges for all valid warranty claims.

Care & Maintenance

Be careful to never allow water build up in frames as this will cause corrosion and freeze damage in cold climates. Wash all frames with

Warranty

6

a solution of mild soap and water. Rinse with clean water and dry with a soft absorbent cloth towel. Frames can be treated with a liquid wax for maximum protection against UV rays and/or salty damp air. If your set includes cushions, slings, and/or an umbrella, they may be cleaned by hand with a solution of soap and water with a clean water rinse.

Exclusions

- Damage caused by acts of nature (weather damage)
- Wind damage
- Failure caused by unreasonable, unanticipated or abusive use
- Failure caused by a lack of reasonable and necessary care and maintenance
- Normal fade of fabrics
- Glass table tops
- Bursting or cracking of tubing due to exposure to water and freezing temperatures
- General frame rusting
- Lack of original receipt will void warranty.

Proof of purchase (dated register receipt and store name) is required for warranty claims. Lack of original receipt will void warranty.

Customer Service

Monday-Friday 9:00am-5:00pm EST

Phone: 800-599-8898

Fax: 973-227-7189

E-mail: support@tdcusainc.com

Web: www.tdcusainc.com

Address: 14 Madison Rd, Fairfield, NJ 07004

GARDENLINE®

10 foot Offset Umbrella

Your details:

Name _____

Address _____

 _____ E mail _____

Date of purchase* _____

* Please keep your receipt with this warranty card. In order to validate warranty, you must include a copy of your receipt.

Location of purchase _____

Name of Product: _____

Description of malfunction:

Return your completed warranty card and a copy of your receipt to:

TDC USA, Inc.
14 Madison Road
Fairfield, NJ 07004
United States of America

AFTER SALES SUPPORT

 USA 1800 599 8898  support@tdcusainc.com

MODEL: 1958-14/21224

Phone lines available
Monday to Friday
9am - 5pm EST.

2

YEAR WARRANTY