

Freight & Packing:

TDC will be responsible for shipping, handling, and packaging charges for all valid warranty claims.

Exclusion:

- Damage caused by acts of nature
- Wind damage
- Failure caused by unreasonable, unanticipated or abusive use
- Failure caused by a lack of reasonable and necessary care and maintenance
- Normal fade of fabrics, upholstery or woven materials
- Glass table tops
- Bursting or cracking of tubing due to exposure to water and freezing temperatures
- Changes in wood color due to the natural aging of the wood

Lack of original receipt will void warranty.

Customer Service: Monday-Friday 9:00am-5:00pm EST

By Phone: 800-599-8898

By Fax: 201-935-7004

By E-mail: support@tdcusainc.com

US Helpline Number: 1-800-599-8898

Model Number: 1958/20101

08



The advertisement features the Gardenline logo (a stylized 'G' in a square above the word 'GARDENLINE' and a fern leaf) on the left. To the right, the text 'Offset Umbrella' is written in a large, bold, sans-serif font, with the tagline 'Shade where and when you need it' underneath. Below this, a circular inset photograph shows a large, dark-colored offset patio umbrella over a table with two chairs and potted plants in a garden setting. In the bottom right corner, the text 'User Guide' is displayed in a bold font, followed by a paragraph of text: 'Now you have purchased a Gardenline product, you can rest assured in the knowledge that as well as your warranty you have the added peace of mind of dedicated support personnel. If you have any questions please use the toll-free customer support phone number.' Below this is a black box with white text: 'CUSTOMER SUPPORT', 'US HELPLINE NUMBER 1 800 599 8898', and 'MODEL NUMBER: 1958'.

User Guide

Now you have purchased a Gardenline product, you can rest assured in the knowledge that as well as your warranty you have the added peace of mind of dedicated support personnel. If you have any questions please use the toll-free customer support phone number.

CUSTOMER SUPPORT

US HELPLINE NUMBER 1 800 599 8898

MODEL NUMBER: 1958

| | |
|---------|-----------------------|
| Page #3 | Introduction |
| Page #4 | Parts List |
| Page #5 | Assembly Instructions |
| Page #7 | Warranty |

Two Year Limited Warranty

All furniture manufactured and sold by TDC USA, Inc. is warranted to the original purchaser against defects in workmanship and materials. If a product manufactured by TDC fails during the first two years from date of purchase under the terms of our limited warranty, TDC will replace the item at no charge. After two years, it will be the original purchasers' responsibility to pay for freight and packing. TDC reserves the right, in the case of discontinued or out of production models, to replace with an item of similar quality. (Glass breakage is not warranted.)

Note: You must retain original receipt to obtain warranty!

Frames:

Frames are warranted against defects in materials and workmanship from the date of original purchase. Damage to frames or welds due to commercial use, improper assembly, exposure to water and sub-freezing temperatures, and/or abuse are not covered.

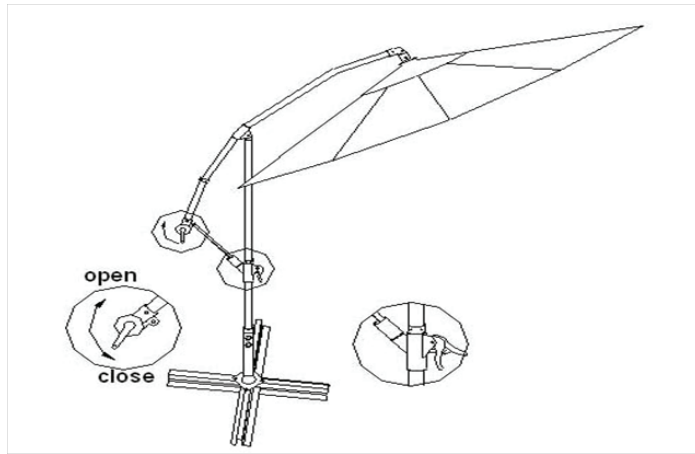
Fabric:

Fabric on cushions, slings, and umbrellas is warranted against separation at the seams. Fading, mildew, and/or discoloration due to exposure to elements, chemicals, and spills are not covered.

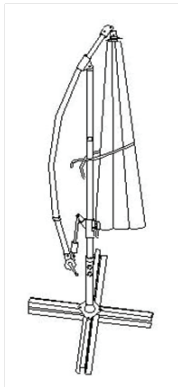
Umbrella:

Umbrella frames are warranted for manufacturer's defects in workmanship and materials.

Umbrellas must be closed when not in use and taken down in windy condition.



Step 3: Move the umbrella up or down to the desired position and lock into place. Turn the crank to attain the desired angle.



Step 4: In severe weather or strong winds, please close the umbrella and tie to the pole.

Congratulations on choosing to buy a Gardenline product! By doing so, you now have the assurance and peace of mind that comes with purchasing a product made by one of ALDI's select manufacturers.

All products brought to you by Gardenline are manufactured to the highest standards of performance and safety, and, as part of our philosophy of customer service and satisfaction, are backed by our comprehensive Two (2) Year Manufacturer's Warranty.

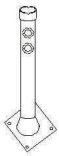
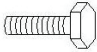
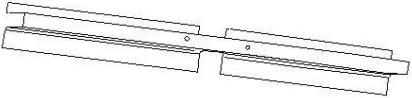
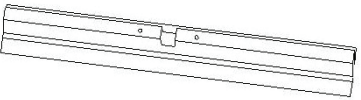

We hope you will enjoy using your purchase for many years to come.

Identify all parts packaged in carton against the parts list. Remove all protective materials and place parts on a non-abrasive surface to avoid scratching. If any parts are missing or damaged, DO NOT attempt to assemble. Please contact our customer service center (Monday-Friday 9:00am - 5:00pm EST) at 1-800-599-8898 or email: support@tdcusainc.com.

Caution: Read all the instructions before assembly. Failure to do so may result in faulty assembly and potential injury! Assemble product on a soft, non-abrasive surface such as a carpet or cardboard to avoid damaging the item. Seek assistance to assemble bulky or heavy items. After final alignment, make sure all bolts and nuts are securely tightened with screw covers pressed in place.

Parts List

4

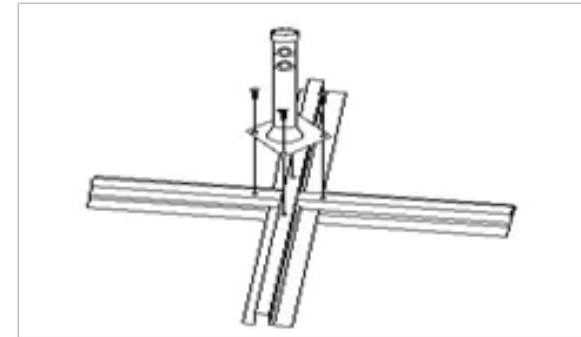
| Parts | | |
|---|--------------------|-----|
| Picture | Description | Qty |
|  | Umbrella Base Pole | 1 |
|  | Screw | 4 |
|  | Top Leg Base | 1 |
|  | Bottom Leg Base | 1 |
|  | Umbrella Top | 1 |

US Helpline Number: 1-800-599-8898
Model Number: 1958/20101

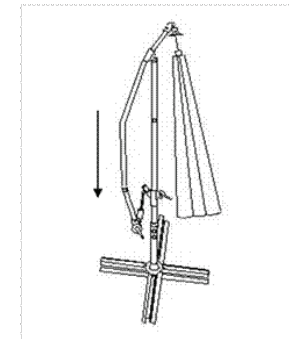
04

Assembly Instructions

5



Step 1: Place the Top Leg Base over the Bottom Leg Base to form an "x". Attach the Umbrella Base Pole to the Base Legs and screw tightly with the 4 provided screws and washers.



Step 2: Place weights (cinder blocks, sandbags, etc.) heavy enough to secure umbrella assembly onto the base (weights not included). Insert the Umbrella Top into the base pole, making sure that the pole is securely into the base pole's notches.

US Helpline Number: 1-800-599-8898
Model Number: 1958/20101

05