



## Wireless 4G HD Rapid Visual Verification



**OCULi-HD** is a battery powered, standalone wireless PIR detector with a built-in 5MP full HD Day/Night camera. It provides rapid visual verification of captured events using 4G/LTE mobile networks. Units and sites can be self-monitored and controlled via the secure OCULi CLOUD portal and mobile phone app. All recorded event footage is stored remotely on the cloud server where it can be easily downloaded for prosecution purposes.

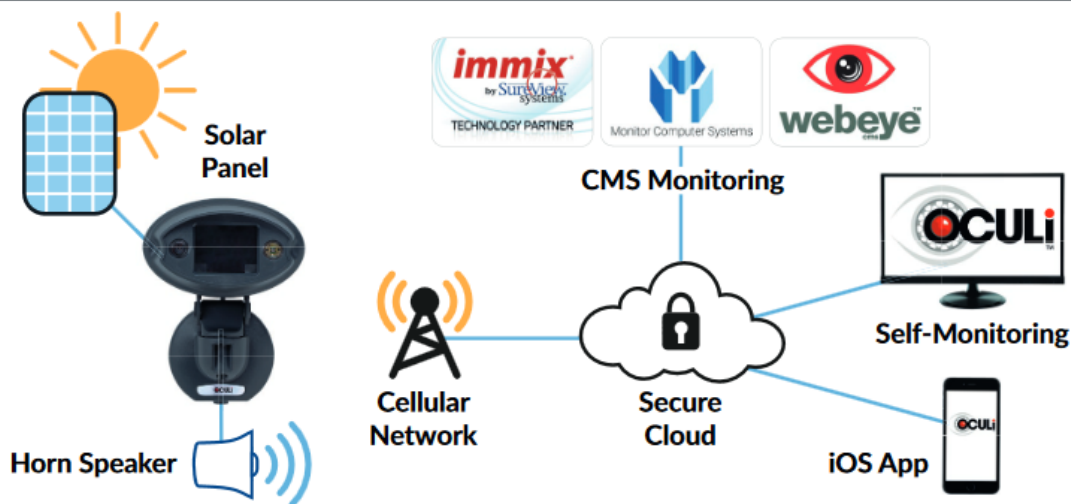


**OCULi HD** is powered by 2 x 3.6-volt lithium D cells, which, with normal use, boast a battery life between 6-9 months (depending on usage). An optional solar charging kit is available to facilitate more power-intensive features such as live streaming, requests for more footage and manual arm/disarm of units. **OCULi HD** can be used with a horn speaker or sounder kit to broadcast a prerecorded voice or audio warning when an intruder has been detected within range.

The PIR detection range is 15m x 90° using a quad sensor, falling within the camera's field of view. A switchable IR-cut filter means you will see realistic colour images by day and still be able to see images in the dark by way of the powerful built in IR illumination. The PIR settings are adjustable within the web portal, allowing the user to configure sensitivity, and/or gating and pulse counting, as well as the day/night threshold. **OCULi-HD** is fully tamper protected with IR anti-masking, 3 axis inertia sensing and enclosure tampers. The arming schedule can be set individually or site-wide for each day of the week and can be set and unset up to 3 times per day.

The OCULi CLOUD portal is a full monitoring platform for use with your **OCULi-HD** units. It allows you to view footage captured by your units, add sites, change the unit settings, assign new users and keep track of your SIMs and data usage. Battery status is also monitored, with alerts sent when close to depletion. The OCULi mobile app provides a convenient way to receive event notifications directly to your phone.

### Example Scenario



Canada Sales & Support  
**IPX360 Solutions Inc**  
HDvideoverification.com  
sales@ipx360solutions.com  
(866) 790-4777



### Basic Information

Power Requirements	2 x 3.6v lithium D cells OR 2 x 3.7v rechargeable Li-ion (not supplied)
Mobile Data	4G to dedicated cloud server
Weight	850g (without batteries)
Operating Temperature Range	-20°C to +60°C
Mounting Height	2.4 to 4 meters
Weather Rating	IP66
Warranty	2 years

### Detector Information

Motion Detector Type	Passive Infrared
Sensor Type	Quad Pyro
Lens Type	Fresnel
Detection Range	15m x 90°

### Camera Information

Selectable Camera Resolution	640 x 480 1280 x 720 1920 x 1080
Camera Lens	70° Horizontal
Video Sequence	2 frames per second over 7 seconds

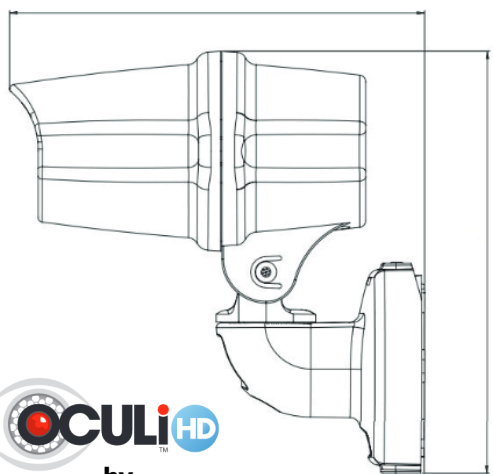
### Transmitted Events

Detection	Low Battery
Tamper	Signal Strength
Shock	TimeLine® Video
Anti-masking	Heart Beat
3 Axis Orientation	

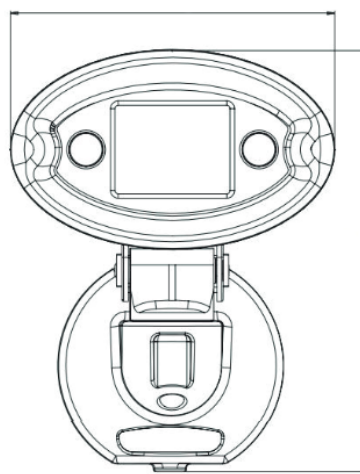
### Lighting Information

IR LED	IR frequency 850nm
IR Power	1 amp
IR Distance	10 meters

190mm

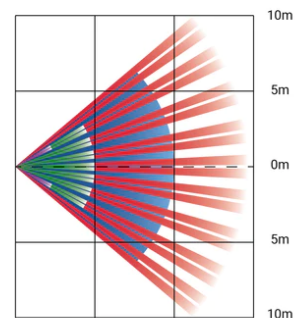
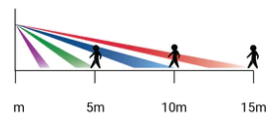


146.5mm



15m x 90°

Medium Wide Range



190mm

190mm



### Accessories

#### Solar Kit



#### Horn Speaker



#### Magnetic Wall Bracket



Canada Sales & Support  
**IPX360 Solutions Inc**  
[HDvideoverification.com](http://HDvideoverification.com)  
[sales@ipx360solutions.com](mailto:sales@ipx360solutions.com)  
 (866) 790-4777

