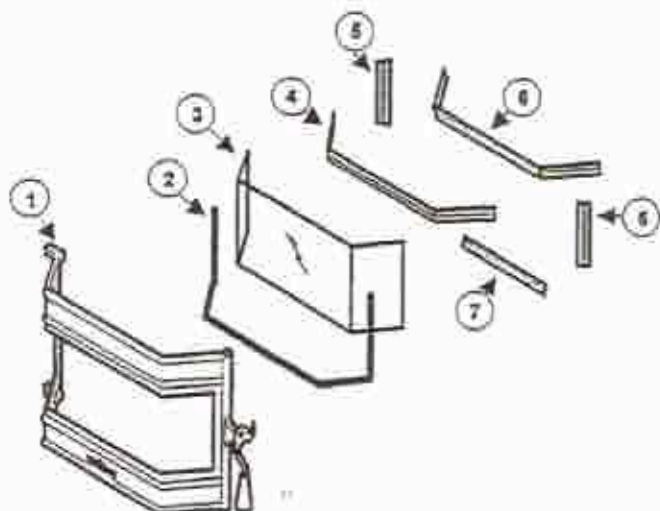


# ADVANTAGE SINGLE PIECE GLASS & GASKET REPLACEMENT



LEGEND	
1. Cast Door	11720501
2. Glass Gasket (Flat)	61027208
3. Wraparound Glass	12126402
4. Slotted Bracket	12101506
5. Window Clips Sides	12005100
6. Window Wash Bracket	12101505
7. Window Clip Bottom	12100224

1. Remove the door from the stove. Place the door face down on a solid, flat surface.
2. With a 1/4" nut driver, carefully remove the four screws that hold the window wash bracket in place. (This allows removal of the slotted bracket as well)
3. Remove the two screws that hold the window clip bracket (bottom) on. Remove the window clips (side) by removing the two screws on each clip.
4. Carefully lift the old glass from the cast door.
5. Remove any old gasket that may still be lying in the cast door frame.
6. If needed, apply the flat gasket to the new glass. The gasket should be located on the bottom and both sides of the new glass.  
*THERE SHOULD BE NO GASKET ON THE TOP EDGE OF THE GLASS.*
7. Carefully lower the glass into the cast door frame and position it to the bottom of the frame. *DO NOT FORCE THE GLASS INTO THE CAST DOOR FRAME.*
8. Reattach the window clips starting with the bottom clip.
9. Reattach the slotted bracket and the window wash bracket.  
*INSURE THE SLOTTED BRACKET LINES UP WITH THE OPEN GAP BETWEEN THE TOP OF THE GLASS AND THE CAST DOOR FRAME.*
10. Reposition the completed door on the stove.
11. Dispose of the old glass in an appropriated manner.