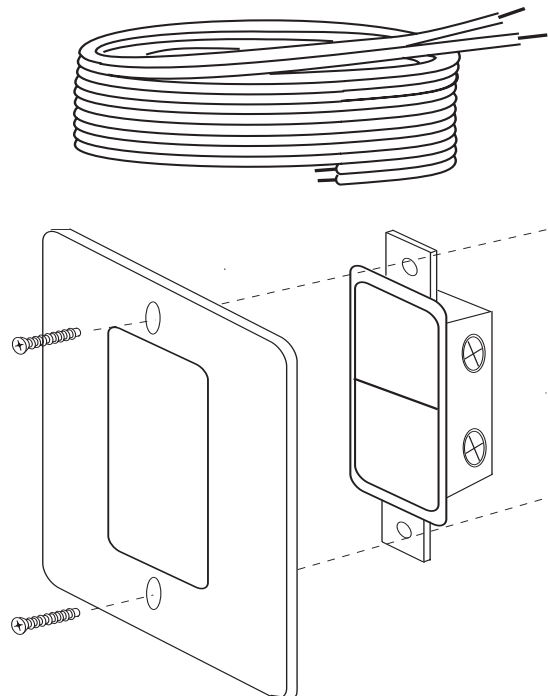




Model: SKY-WS (Wall Switch Kit)

Installation Instructions

1. Locate and install plastic junction box. (Location of junction box should be within distance from the appliance specified within the manufacturer of the appliance installation instructions) (Not to exceed 20-feet using the 18 gage wire supplied)
2. Install low voltage wire from the appliance to the junction box.
3. Connect low voltage wire to the appliance in accordance with the manufacturer of the appliance instructions. **NOTE:** (2) female wire connectors are provided with this kit to connect to your appliance if applicable.
4. Connect low voltage wire to the wall switch and install the wall switch in the junction box using the (2) screws supplied.
5. Install wall plate using the (2) screws supplied.
6. This completes the installation of the SKY-WS.



SKY-WS Components