

QUADRA-FIRE®

ROLLER CATCH INSTALLATION INSTRUCTIONS

PART:

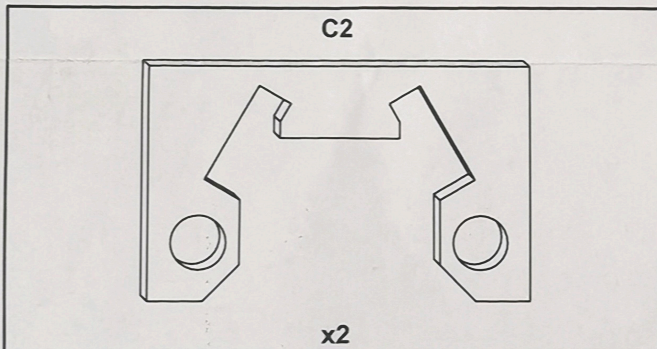
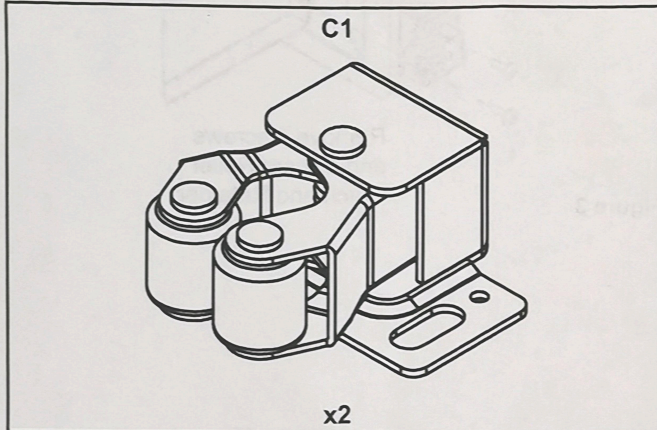
SRV7000-494

FOR PELLET APPLIANCES:

MOUNT VERNON AE

MOUNT VERNON INSERT AE

Included in Kit:



Included in kit:

Quantity two (2) Roller Catch (C1) and quantity two (2) Roller Catch Retainer (C2).

Tools Required:

Phillips head screwdriver

Proper Shutdown Procedure for Quadra-Fire Advanced Energy (AE) Appliances



CAUTION

Shock and Smoke Hazard



- Turn thermostat "OFF" on AUTOMATIC/MANUAL SETTING screen. Let appliance completely cool and exhaust blower must be off. Now you can unplug appliance for cleaning, servicing and maintenance.
- Smoke spillage into room can occur if appliance is not cool before unplugging.
- Risk of shock if appliance not unplugged before servicing appliance.



NOTE: The roller catch and roller catch retainer will be shipped from the factory assembled. If it separates in shipping you need to re-assemble before installing on the ash drawer. Follow instruction below, if needed:

Re-assembling the Roller Catch and Retainer

1. Place the Roller Catch Retainer (C2) with the smooth side up at an angle over Roller Catch (C1) (Figure 1).

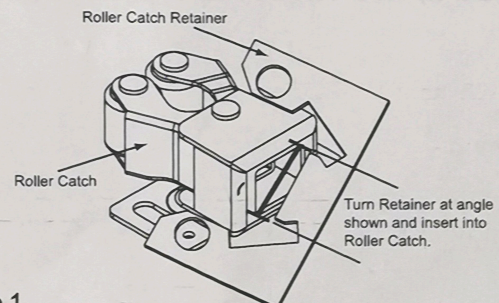


Figure 1

2. Insert into roller catch.

3. Once the retainer has been inserted, rotate to lay flat as shown in **Figure 2**.

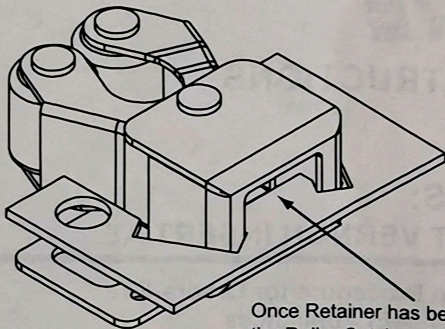


Figure 2

Once Retainer has been inserted into the Roller Catch, rotate to lay flat.

Attaching the Roller Catch & Retainer to Ash Drawer

1. Open the ash drawer and locate the two (2) roller catches and retainers on the right and left sides of the ash drawer (**Figure 3**).

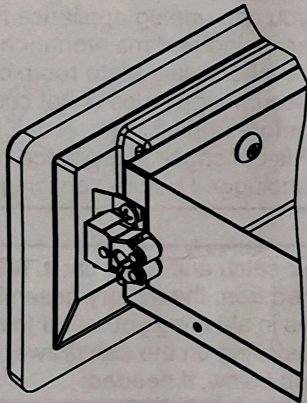


Figure 3

2. Using a Phillips Head screwdriver, remove the two (2) screws from the roller catch and retainer from both sides of the ash door; reserve screws and discard old roller catches and roller catch retainers.

3. Using a Phillips Head screwdriver and two (2) reserved screws from step 2, install Roller Catch (C1) and Roller Catch Retainer (C2) (**Figure 4**).
4. Repeat for other side.

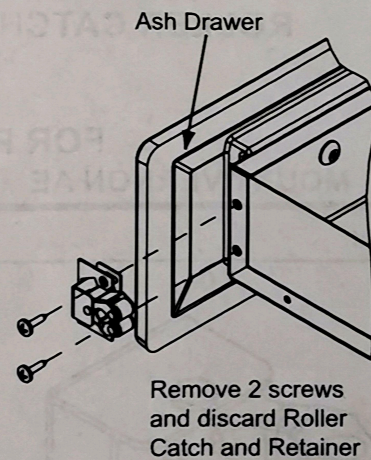


Figure 3

Remove 2 screws and discard Roller Catch and Retainer