

Accentra 52i Outside Air Kit

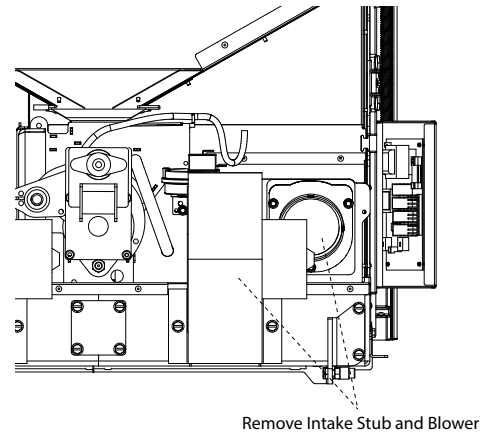
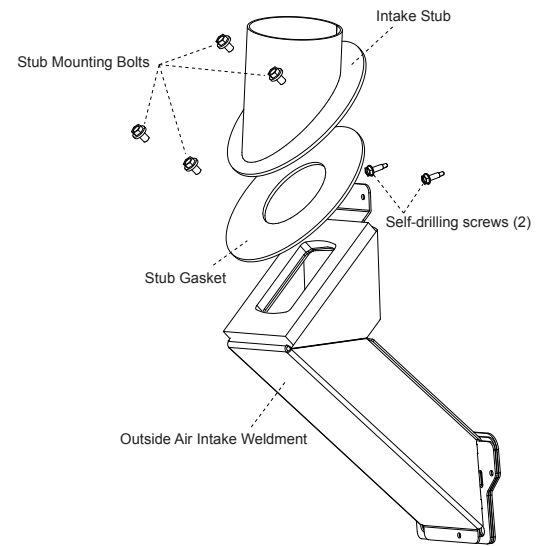
Part #1-00-574350

HARMAN[®]
BUILT TO A STANDARD, NOT A PRICE

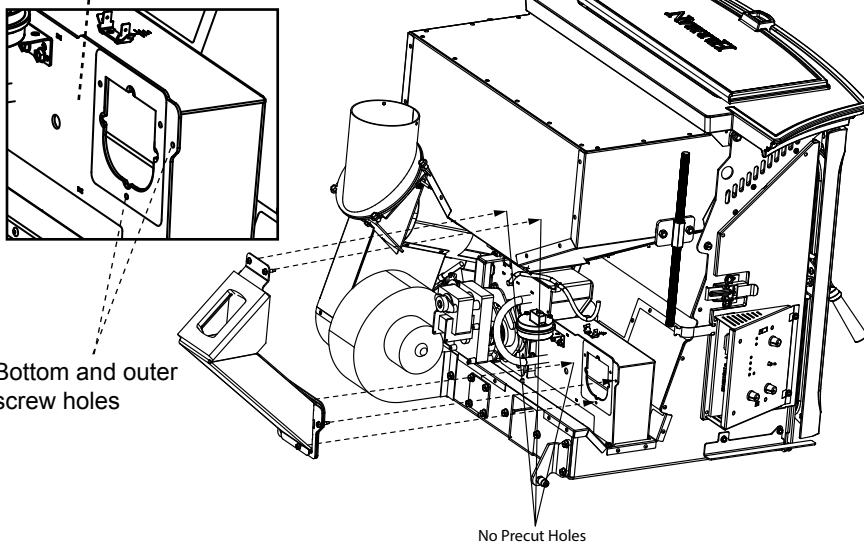
Kit Contents:

- 1- Air intake adapter
- 1- 3 inch pipe stub
- 1- Pipe stub gasket
- 4- 1/4-20 X 3/8 Flange head bolts
- 5- #10 Tek Screws

1. If installing on a Accentra 52i Pellet Insert that was previously installed, you'll need to remove the stove from the mounting frame.
2. Lay the gasket on the mounting frame cross member, start two of the bolts then attach the 3 inch stub to the mounting frame. Position the pipe stub as needed and install and tighten all four bolts.
3. Attach your outside air supply pipe (Not included) to the pipe stub with a minimum of two fasteners.
4. You can now proceed with installing the mounting frame into the fireplace opening.
5. Remove distribution blower located in front of the air intake stub. Remove air intake stub with backdraft damper from the insert using a 5/16" Nut driver or socket. You will need to retain the three screws, but you will not be using the intake stub.
6. Check the condition of the intake gasket. Replace if necessary (item #3-44-72224).
7. Hold the air intake adapter in place and install the bottom and outer Tek screws in the holes shown in diagram below. Install the third Tek screw into the air intake box. **Note: This screw will be creating a new hole.**
8. Attach the top of the intake adapter on the rear of the hopper using 2 Tek screws. **Note: Holes are not pre-drilled.**
9. Re-install the distribution blower.



Air intake box Install adapter in place of the stub, using (5) self drilling screws



Install pipe stub to mounting frame using four (4) flange bolts. The gasket goes between the frame and the pipe stub.

