

80P31335-R

St Croix

Universal Ceramic Igniter

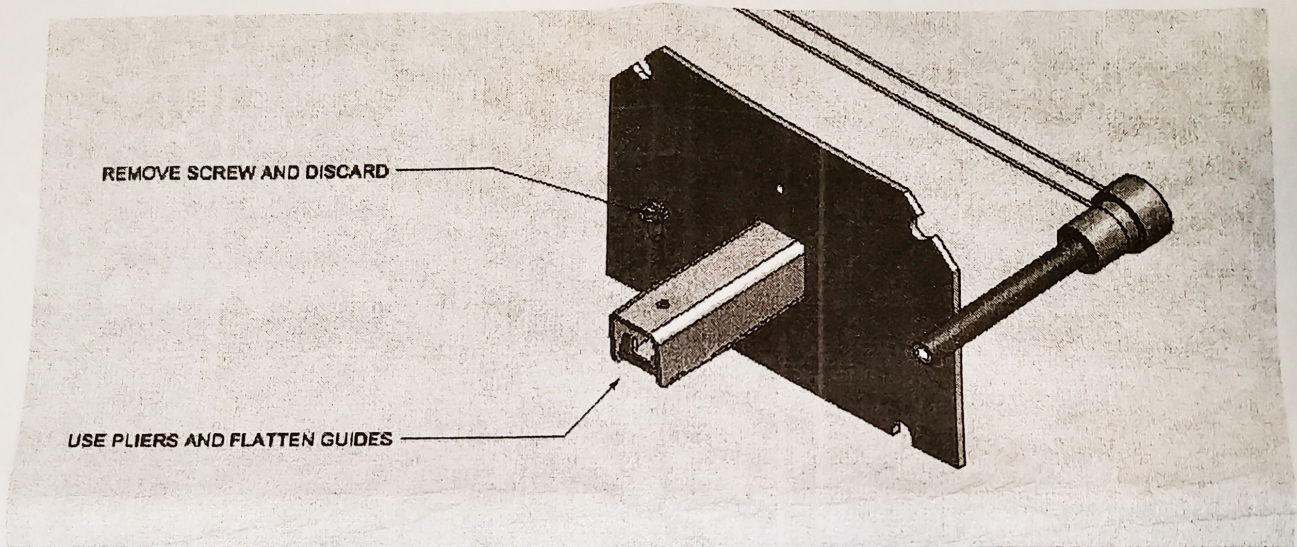


Fig. 1

We are introducing a new igniter design for St Croix. This new design retrofits into all St Croix models that were designed to accept an igniter. This means that "One Size Fits All" St Croix stoves from now on.

For all models that were built with the round igniter tube, this will install in the same manner as before using the set screw.

For all models built with the square tube, when retrofitting this into the tube remove the screw and DISCARD (See Figure 1). Then use a pair of pliers and bend the guides for the old igniter down to accommodate the larger diameter of the new ceramic igniter before installing the new style igniter. After installing the new igniter into the stove, seal all openings allowing air into the square tube with silicone, so all air flows through the center of the igniter.