

SENSE PURE/ELITE USA

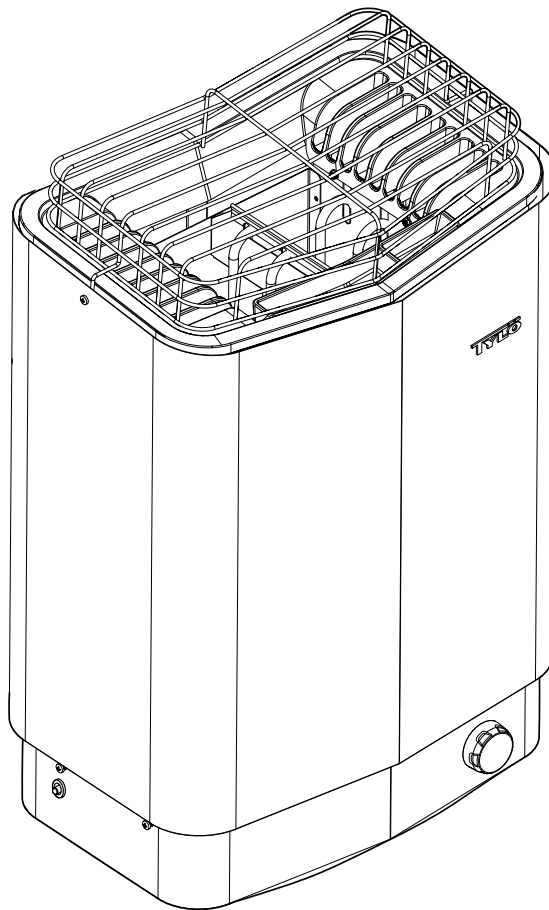
2016-10-18

ENGLISH

INSTALLATION / USER GUIDE

FRANÇAIS

NOTICE D'INSTALLATION ET D'UTILISATION



INSTALLATION GUIDE.....3**BEFORE INSTALLATION3**

Parts	3
Installation requirements	3
Installation tools	3
Installation planning	3

INSTALLATION6

Sauna heater installation	6
External ON/OFF switch (option)	7

CONNECTION/WIRING8

Description of cabling/modular contacts	9
---	---

SELF-INSPECTION OF THE INSTALLATION.....9**DIMENSIONS.....10****USER GUIDE..... 11****GENERAL INFORMATION11****PRIOR TO USE11**

The first time you use the heater	11
Prior to each use	11

USE12

The control panel in general.....	12
Other functions.....	12

EXTERNAL ON/OFF SWITCH (OPTION).....12**AFTER USE12**

Empty the reservoir.....	12
Switch off main power switch.....	12

MAINTENANCE12

Cleaning the fragrance holder and air humidifier.....	12
Check the stone compartment	12

TROUBLESHOOTING13

Troubleshooting the control panel	13
Troubleshooting the sauna heater.....	14

SPARE PARTS LIST15**ROHS (RESTRICTION OF HAZARDOUS SUBSTANCES) 15****HEATER WIRING DIAGRAM16****WARNING!**

* **Hyperthermia** occurs when the internal temperature of the body reaches a level several degrees above the normal temperature of 98.6° F. The symptoms of hyperthermia include an increase in the internal temperature of the body, dizziness, lethargy, drowsiness and fainting. The effect of hyperthermia include:

- Failure to perceive heat;
 - Failure to recognize the need of exit the room;
 - Unawareness of impending hazard;
 - Fatal damage of pregnant women;
 - Physical inability to exit the room; and
 - Unconsciousness
- Do not take a sauna if using alcohol, drugs or medications.
 - Pregnant women or persons with poor health should consult their physician before using any sauna.
 - Caution fire hazard: Do not use the sauna room for drying clothes, bathing suits, etc. Do not hang towels above heater or place any object other than the rocks supplied on the heater. If any darkening of the wall around the heater is noticed discontinue sauna use immediately.
 - Inspect sauna regularly for required maintenance to heater, control and benches. Replace wood surfaces which show any signs of deterioration.
 - The heater gets extremely hot during operation and should not be touched or burns may result.
 - Minors should be adequately supervised whenever near a hot or warming sauna.
 - Fire sprinkler systems used inside any sauna room should be properly rated for sauna room temperatures.
 - Do not pour chlorinated pool or spa water on heater. Excessive water use on heater may cause damage and void warranty.
 - This appliance is not intended for use by persons (including children) with reduced physical, sensory or mental capabilities, or lack of experience and knowledge, unless they have been given supervision or instruction concerning use of the appliance by a person responsible for their safety. Children should be supervised to ensure that they do not play with the appliance.

- Electric Shock Hazard - High voltage exists within this equipment. There are no user serviceable parts in this equipment. All installation and service to this equipment should be performed by qualified licensed personnel in accordance with local and national codes.
- Do not construct sauna room so as to restrict air flow through the bottom of the heater.
- Packing the rocks too tightly may cause the heater high limit switch to trip.
- Maintain minimum clearance from heater to wooden surfaces (benches, side walls, heater fence etc.). Mounting brackets supplied. Provides proper clearance from wall behind heater.
- Use only copper wire of the size and type indicated in the Heater Specification Chart and the temperature rating indicated on the heater junction box.
- A guardrail or fence is required around the heater to prevent burns from accidental contact.
- All heaters and controls must be grounded per NEC to prevent electrical shock in case of unit failure.
- Electrical outlets or receptacle must not be installed in a sauna room.
- Do not locate benches over heater.
- For household only.



Keep this user guide!

In the event of any problems, please contact the retailer where you purchased the equipment.

INSTALLATION GUIDE

BEFORE INSTALLATION

Parts

Check that the following parts are included in the packaging:

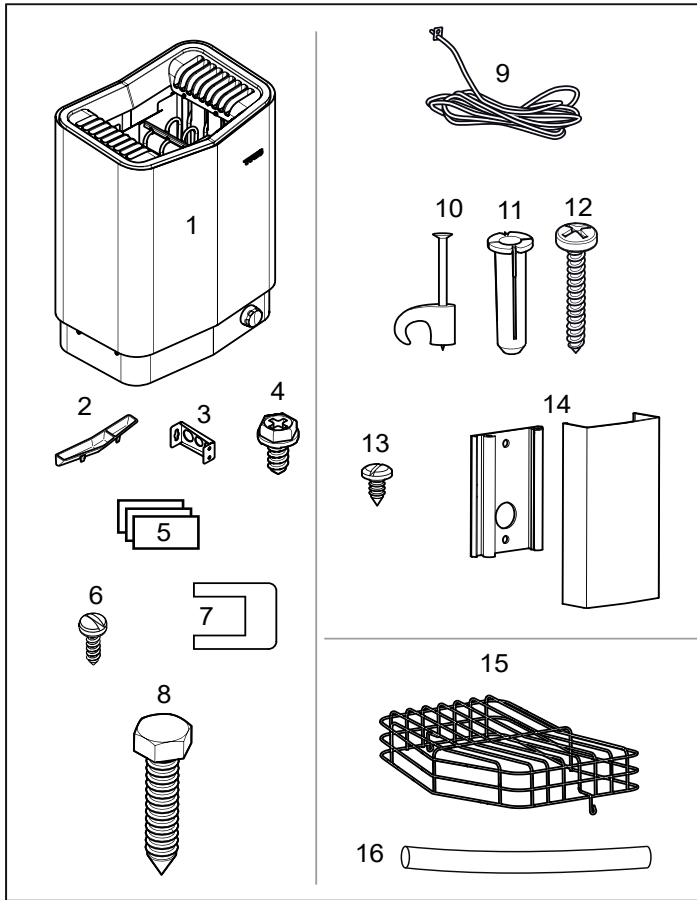


Figure 1: Sauna heater/control panel parts

1. Sauna heater
2. Herb bowl/air humidifier
3. Brackets x 4
4. Lock screw B8x9.5 x 1
5. Warning and Caution plates for the room in multiple languages
6. Screws B 4 x 6.5 x 6 for Warning and Caution plates
7. Connectors x 3
8. Bracket screws x 4
9. NTC Sensor, cable length 4 m
10. Clips TC (3-5) x 10 pieces
11. Plastic plugs 25x5 x 2 pcs
12. Screws B6x25 x 2 pcs
13. Screw B4x6,5 x 1 piece
14. Sensor cover
15. Rock guard
16. Protection hose Ø14x150 mm x 3 pcs, for RJ10 cables (sensor, control panel, door switch)

Contact your dealer if anything is missing.

Installation requirements

To ensure safe use of the heater, check that the following criteria are met:

- Electrical wiring should be installed in accordance with NEC and all state and local codes.
- Fuse size (A) and power cable size (AWG) must be suitable for the heater (see The section called Connection/wiring diagram, Page 8).
- The sauna ventilation must comply with the instructions in this manual (see The section called Positioning the inlet vent, Page 5, The section called Positioning the outlet vent, Page 5).
- The position of the sauna heater, control panel, and sensors must comply with the instructions in this manual.
- The heater output (kW) must be suitable for the sauna volume (cu.ft.) (See Table 1, Page 3). The minimum and maximum volumes must not be exceeded.
- NOTE: A GFCI device is not required by ETL. A GFCI may be installed if required by local codes. However, GFCI devices will tend to nuisance trip during use of the product.

Table 1: Voltage and sauna volume

Model	Voltage	Sauna volume min. cu.ft.	Sauna volume max. cu.ft.
Sense U 7 Elite/Pure (SPU7)	208 V	175	265
	240 V	175	320
Sense U 8 Elite/Pure (SPU8)	208 V	250	360
	240 V	250	440

Installation tools

The following tools and materials are needed for installation and connection:

- level
- tape measure
- electric drill
- screw drivers

Installation planning

Before starting to install your sauna heater:

- Plan the sauna heater positioning (see the Heater positioning - normal installation section, page 4).
- Plan the control panel positioning (see the attached instructions for the control panel for allowable positioning).
- Plan the sensor positioning (see Figure 3, page 4).
- Position the air intake vent (see the Air intake vent positioning section, page 5).
- Position the air exhaust vent (see the Air exhaust vent positioning section, page 5).
- Plan the electrical installation (see the Connection/wiring diagram section, page 8).

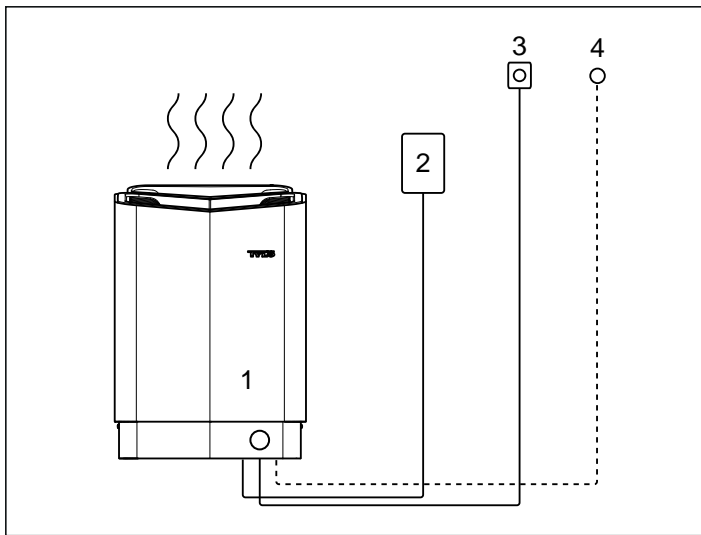


Figure 2: Schematic diagram of installation

1. Sauna heater
2. Control panel
3. Sensor
4. External on/off switch (option, door contact needed for function)



DANGER! No more than one heater may be installed in the same sauna cabin.

Positioning the control panel

The control panel can be installed inside or outside of the sauna room.

The control panel must be correctly positioned with regard to safety distances below when installed inside the sauna room

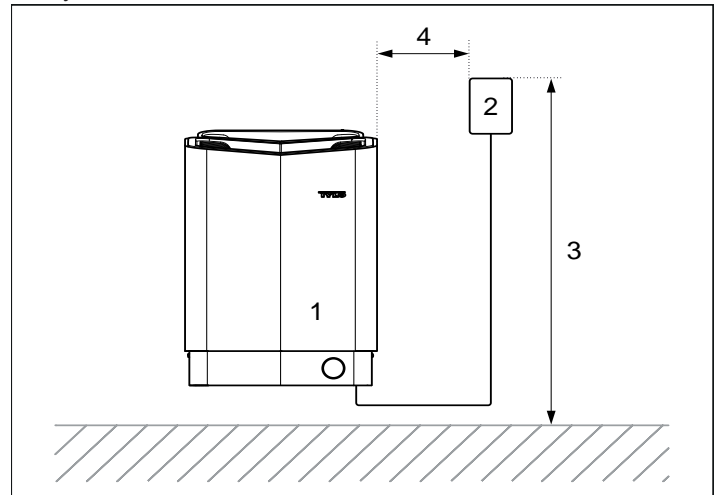


Figure 4: Safety distance, control panel

1. Heater
2. Control panel
3. Max. 36 in
4. Min. 12 in

Positioning the heater - normal installation

Position the sauna heater:

- on the same wall as the door (or the side wall if very close to the door wall).
- Position the heater at a safe distance from the floor, side walls and interior fittings (see Figure 3).

Position the sensor according to the picture (see Figure 3).

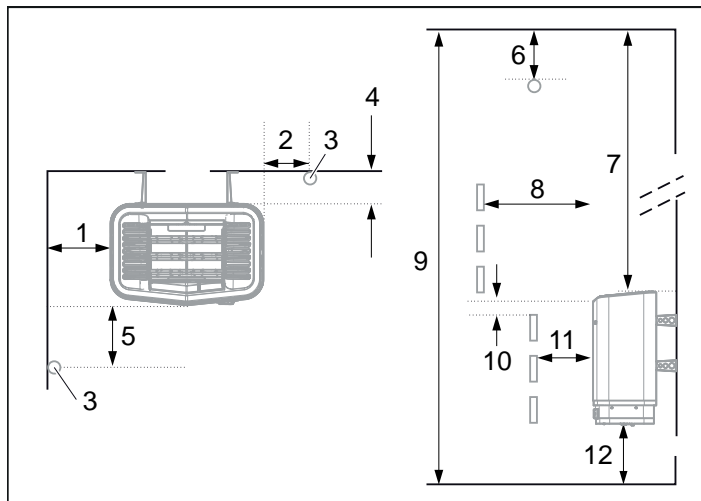


Figure 3: Positioning the heater - normal installation

1. Minimum distance from side wall: 4 in
2. Sensor position (option 1): 3 in from heater
3. Sensor
4. Minimum distance from back wall (with legs): 4 in
5. Sensor position (option 2): 3 in from heater front
6. Sensor position: 1 in from ceiling
7. Minimum distance from ceiling: 44 in
8. Minimum distance from interior fittings: 4 in
9. Minimum ceiling height: 75 in
10. Minimum distance: 1 in
11. Minimum distance from interior fittings: 2 in
12. Suggested distance from floor: 7 in



WARNING
REDUCE THE RISK OF OVERHEATING

- * Exit immediately if uncomfortable, dizzy, or sleepy. Staying too long in a sauna is capable of causing overheating.
- * Supervise children at all times.
- * Check with a doctor before use if pregnant, in poor health, or under medical care.
- * Breathing heated air in conjunction with consumption of alcohol, drugs, or medication is capable of causing unconsciousness.



CAUTION
REDUCE THE RISK OF FIRE

Do Not Place Combustible Material On The Heater At Any Time.

Figure 5: Warning/Caution plate

Sauna room ventilation

In a sauna, the air should be changed about 6 times an hour. See Figure 6.

It is recommended that ventilation openings meet the requirements of UL Specification 875. The minimum opening should be determined using one of the following formulas:

$$\text{For } R < 31, \quad V \geq 9.3$$

$$\text{For } R \geq 31, \quad V \geq 0.3 * R$$

where R = the floor area of the room in square feet and
 V = the minimum vent size in square inches

Example Venting Calculation:

Room is 54 sq.ft. (9 ft. by 6 ft.) 54 is larger than 31.

Multiple $54 \times 0.3 = 16.2$ sq. in.

Vent size opening should be 4 in x 4 in.

Positioning the inlet vent

Install the inlet vent straight through the wall under the centerline of the heater.

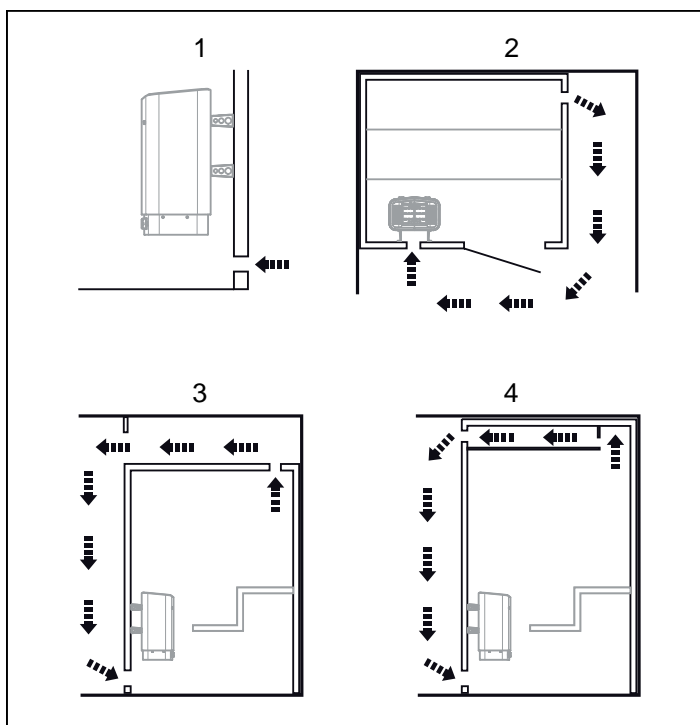


Figure 6: Positioning the air intake and exhaust vents

1. Inlet vent position.
2. Outlet vent position through the sauna wall.
3. Outlet vent position through the cavity.
4. Outlet vent position via duct.

Positioning the outlet vent

Position the outlet vent

- at the maximum possible distance from the air intake vent, e.g. diagonally (see Figure 6).
- high on the wall or in the ceiling (see Figure 6).
- so that it vents into the space that the door and air intake vent open into.

The outlet vent must have the same area as the inlet vent.

Ensure that the outlet vent is open.

Mechanical ventilation is not recommended due to the risk of poor air exchange, which can negatively affect the heater temperature cut-out.

Removing the Rock Guard

Unscrew the two screws on the side of the heater and lift the rock guard upwards, see Figure 7. (This is necessary when filling the stone compartment or cleaning the fragrance holder and air humidifier).

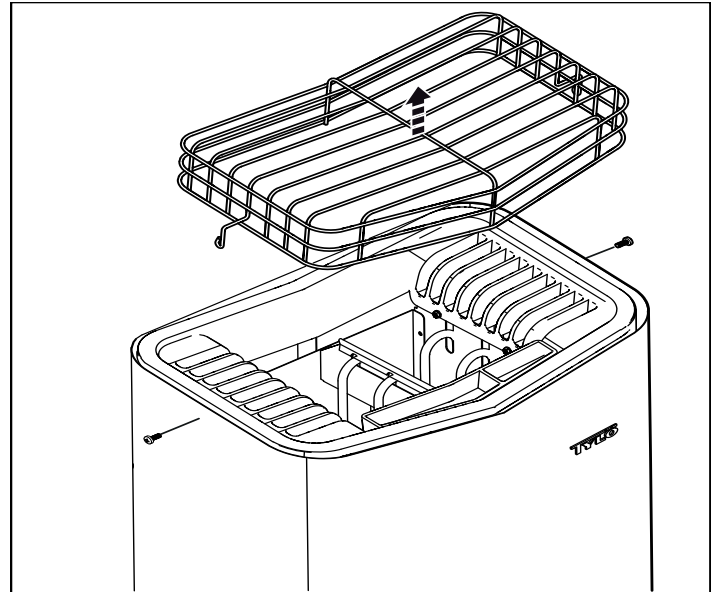


Figure 7: Removing the Rock Guard

Room construction

For safety and reliability, the following rules must be addressed.

- The enclosed WARNING: Reduce the risk of overheating ... warning plate must be mounted on or alongside the door outside the sauna room at about eye level. Use the supplied screws.
- The enclosed CAUTION: Reduce the risk of fire ... caution plate must be mounted on the interior wall above the heater. Use the supplied screws.
- No permanent locking or latch system is to be used on the sauna door.
- Acceptable door fittings are: magnetic catches, friction catches, spring or gravity loaded closures. The door must always open outwards.
- No shower may be installed in a sauna room.
- No electrical receptacle shall be installed inside the sauna room.
- The heater should not be operated without its container properly filled with rocks and the rock guard in place.
- If an intercom speaker is installed, it should be away from the heater and as close to the floor as possible.
- If a room light is installed, it should be a surface mounted bracket type. Wall mounted lights should be about 70" above the floor. Ceiling mounted lights should be of an approved type with a junction box that is remote to the fixture itself. Use only a fixture that uses A.F. or fixture type internal wiring. A 60 watt bulb should provide sufficient lighting.
- Fire sprinkler systems installed inside any sauna room should be properly rated for sauna room temperatures.
- Always mount the heater according to these installation instructions.

Typical wall construction

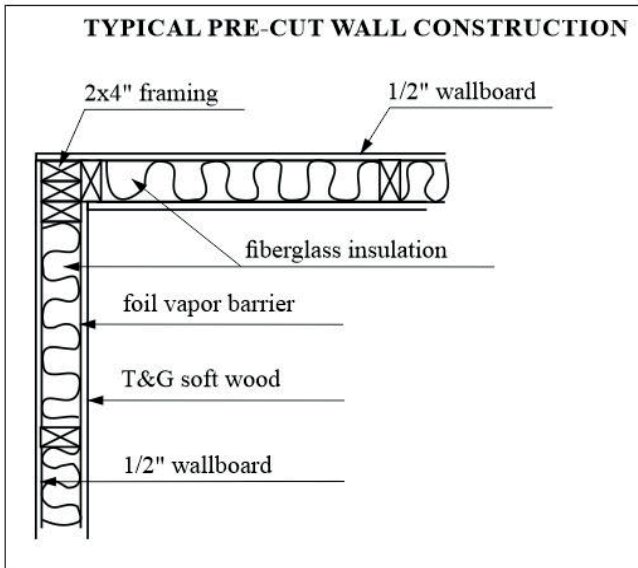


Figure 8: Typical wall construction

INSTALLATION

Sauna heater installation

It is easiest to prepare for installation with the heater lying down. To install the heater:

1. Lay the heater down with the front facing upwards.
2. Undo the screws and open the cover (see Figure 9).

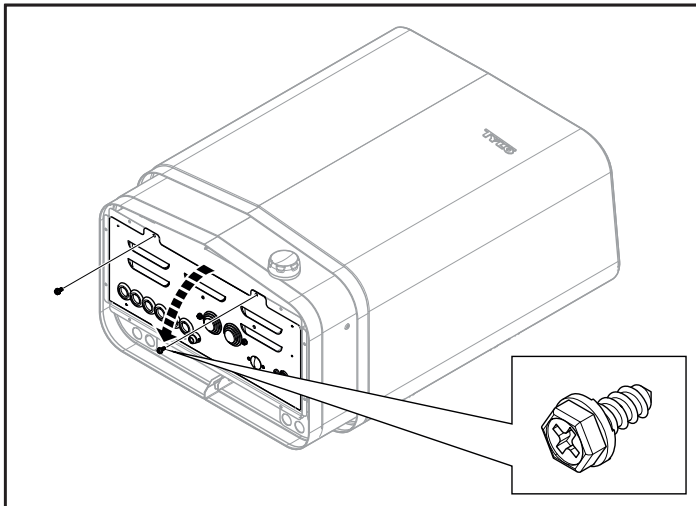


Figure 9 Opening/closing the cover



WARNING! Always check that the heater is connected to the correct main/phase voltage!

Connect the heater using 90°C approved rated wire for fixed installation. Installed shall be in accordance with NEC and State and local codes.

3. Connect the electrical cable (1) to the terminal (2) (see Figure 10) according to the wiring diagram (see the Connection/wiring diagram section, page 8).
4. Run the cables for the control panel and the temperature sensor through the cable grommets (3). Connect the control panel cable (4) to one of the four RS485 contacts (positions 5-8 Pure, 6-9 Elite) (see Figure 10) according to the wiring diagram (see the Connection/wiring diagram section, Fig 18 page 8).
5. Connect the humidity- and temperature sensors cable (6) to one of the four RS485 contacts (positions 5-8 Pure, 6-9 Elite) (5) according to the wiring diagram (see the Connection/wiring diagram section, Fig. 18 page 8).

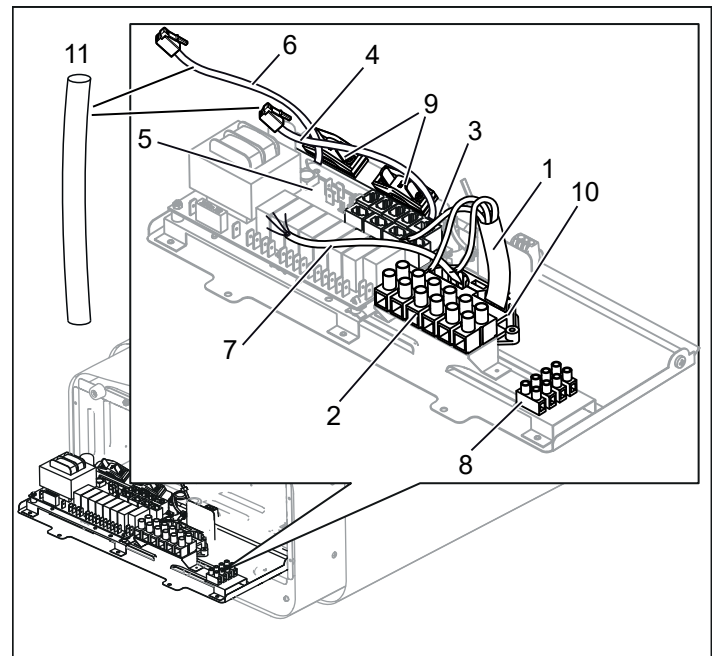


Figure 10: Circuit board

- | | |
|--|--|
| 1. Electrical cable | 7. Light cable (if connected) |
| 2. Terminal for connection of electrical cable | 8. Terminal for connection of light (if connected) |
| 3. Cable grommet (x6) | 9. Strain relief connector for cables to modular contacts (x2) |
| 4. Control panel cable | 10. Strain relief connector for electrical cable |
| 5. Modular contacts for connection of control panel, sensor etc. | 11. Protection hose for RJ10 cables |
| 6. Sensor cable | |
6. Connect the light cable (if used) (7), see Figure 10, to the terminal (8) according to the wiring diagram Figure 18.
 7. Close the cover and tighten the screws (see Figure 9).



NB: If all the screws on the back are unscrewed simultaneously, the back plate may come loose. For this reason, attach the four brackets to the heater one at a time.

8. Unscrew the first two screws on the back of the heater and screw one of the four brackets into place. Repeat the procedure until all of the brackets are fitted see Fig. 11.

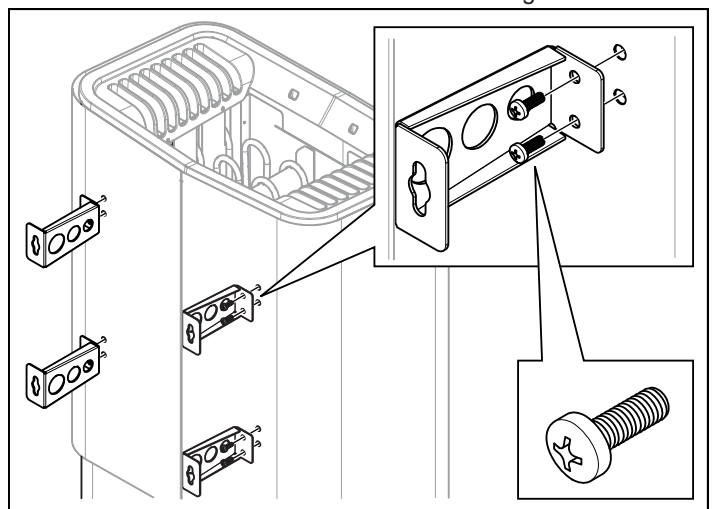


Figure 11: Attaching the brackets to the heater

9. Position the bracket screws according to the specified dimensioning see Fig. 12.

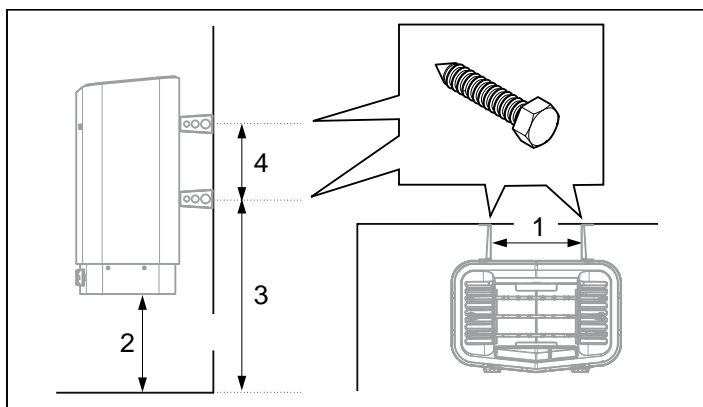


Figure 12: Dimensioning

1. 10.31 in
2. 6 in
3. 16.3 in
4. 8.11 in

10. Fit herb bowl/air humidifier (see Fig. 13).

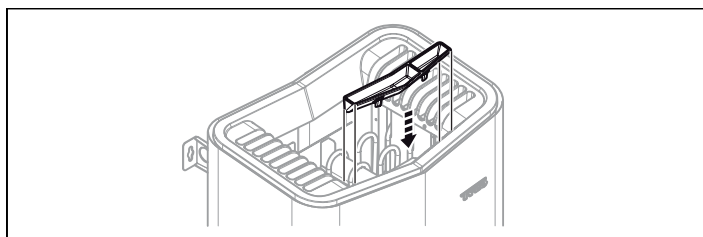


Figure 13: Fitting the fragrance holder/air humidifier

11. Hang the heater on the screws see Fig. 14.

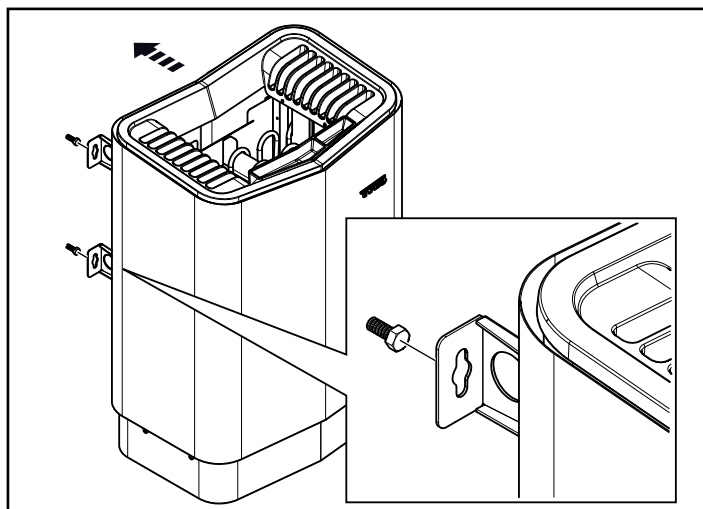


Figure 14: Hang the heater up.

12. Lock the heater into place with the lock screw see Fig. 15.

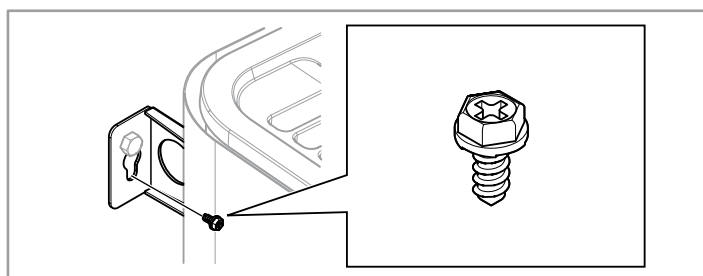


Figure 15: Lock screw for bracket

13. Install the sensor on the wall see Fig 16. The thermistor wire may also be passed through the wall. Seal any holes in the wall behind the sensor, see Figure 17. The thermistor wire may be extended outside the sauna using low voltage wire (2-lead).

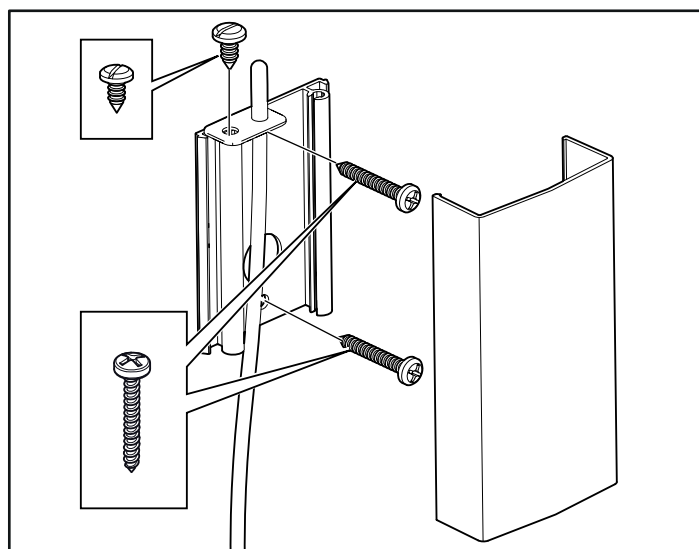


Figure 16: Installing the sensor

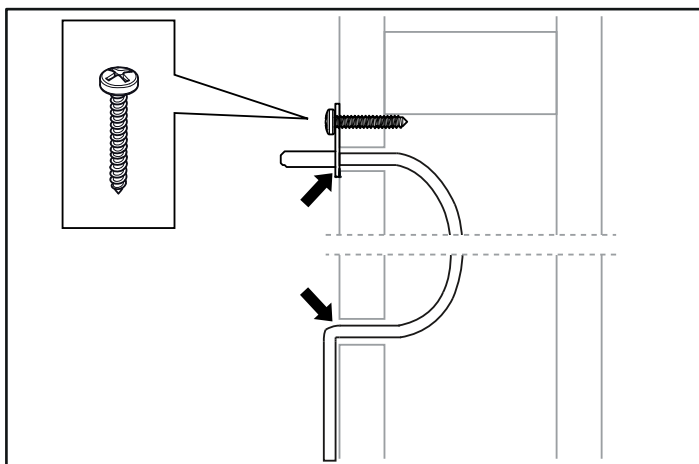


Figure 17: Seal any holes

Unusual voltages/numbers of phases

Contact Tylö Customer Service before connecting to voltages or numbers of phases that are not listed in the wiring diagram Figure 18.

External ON/OFF switch (option)

The external ON/OFF switch can be positioned anywhere outside the sauna, not to exceed 75 feet from the heater, to avoid voltage loss in the cable. Voltage loss affects the LED indicator for heater status (if built-in and connected to the switch).

For further information, see instructions supplied with the control panel.

CONNECTION/WIRING DIAGRAM

TAB	208 V 1 Phase			240 V 1 Phase		
Model	Amperage Amps	Output kW	Wire Size AWG	Amperage Amps	Output kW	Wire Size AWG
Sense U 7 Pure/Elite	26	5,3	10	30	7,0	8
Sense U 8 Pure/Elite	30	6,3	8	35	8,3	8

Note: Heating elements do not change for voltage changes. The heater output will be changed based on the voltage applied to heater.

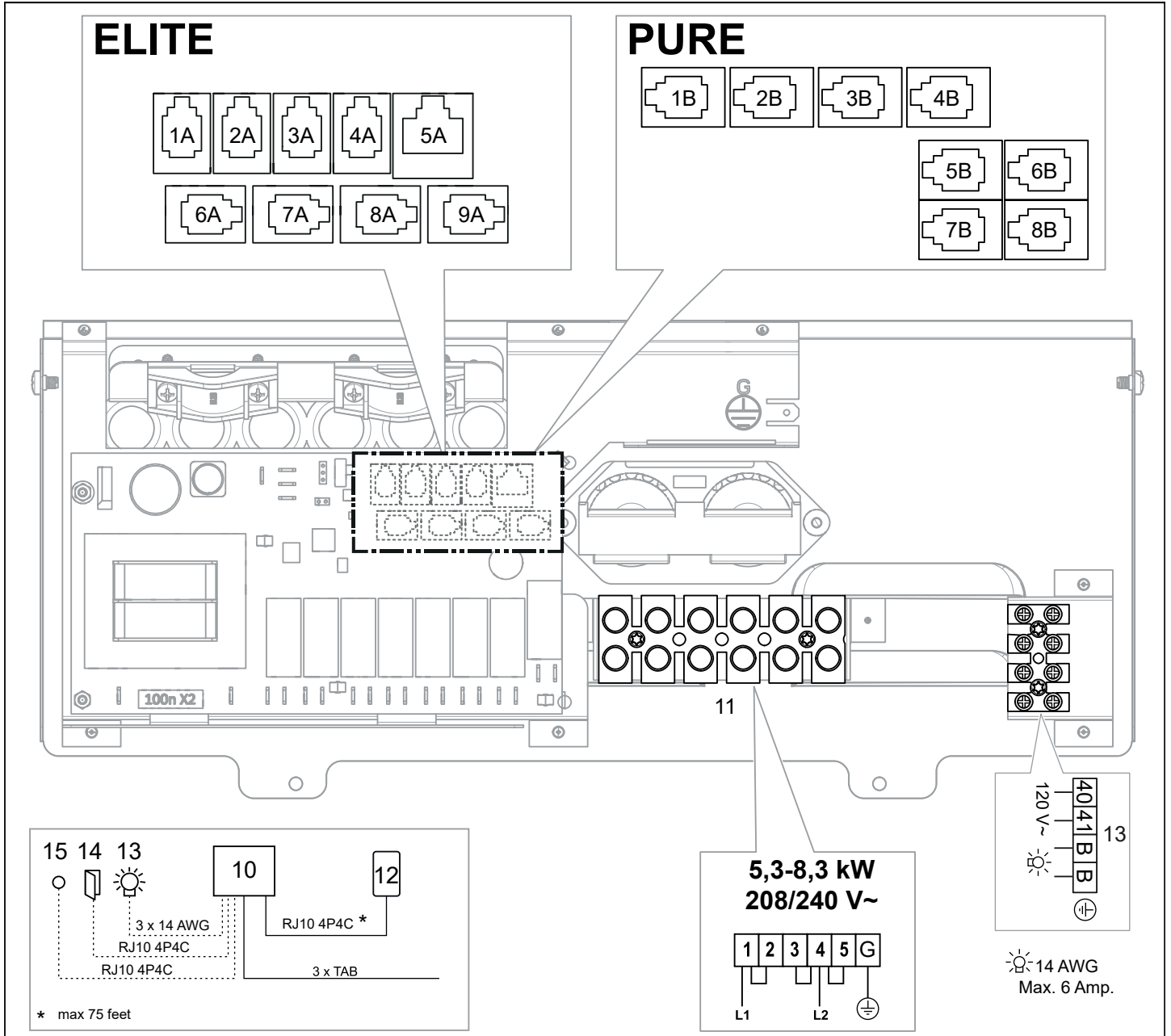


Figure 18: Wiring diagram

- | | | |
|---|---|--|
| 1A. NTC Sensor | 1B. NTC Sensor | 10. Heater |
| 2A. Ext switch (External switch optional) | 2B. Ext switch (External switch optional) | 11. Terminal for connection of electrical cable |
| 3A. N/A | 3B. N/A | 12. Control panel
(Elite - connect to positions 9A)
(Pure - connect to positions 8B) |
| 4A. N/A | 4B. N/A | 13. Light/terminal for connection of light |
| 5A. N/A | 5B. N/A | 14. Door contact (option) |
| 6A. N/A | 6B. N/A | 15. External switch (option) |
| 7A. N/A | 7B. N/A | |
| 8A. N/A | 8B. Controls Pure | |
| 9A. Controls Elite | | |

Description of cabling/modular contacts

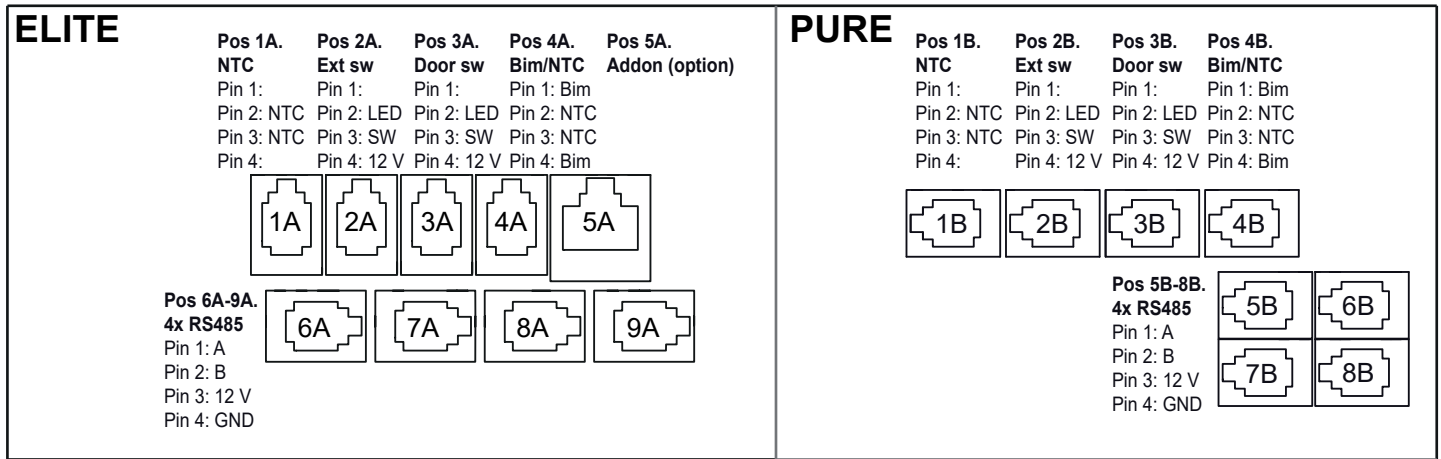


Figure 19: Modular contacts, description

ELITE	PURE
(Pos 1-4 and 6-9: RJ10, Pos 5: RJ45)	(Pos 1-8: RJ10)
1A. NTC Sensor	1B. NTC Sensor
2A. Ext switch (optional)	2B. Ext switch (External switch optional)
3A. N/A	3B. N/A
4A. N/A	4B. N/A
5A. N/A	5B. N/A
6A. N/A	6B. N/A
7A. N/A	7B. N/A
8A. N/A	8B. Controls Pure
9A. Controls Elite	10. Modular plug (RJ10)
10. Modular plug (RJ10)	11. Modular contact (RJ10)

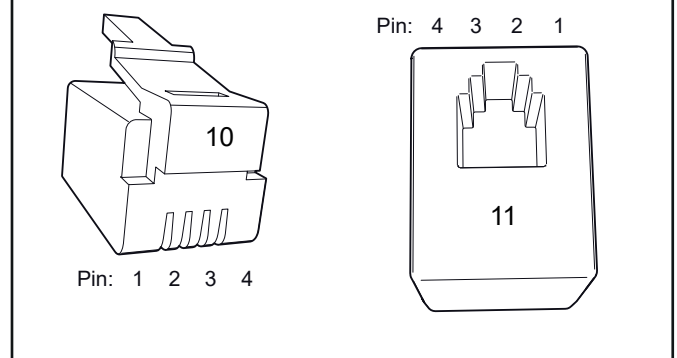


Table 3: Connecting components in modular contacts (maximum cable area for RJ10: 0.90 mm/0.20 mm², AWG24)

Connection of	Pos	Pin	Comment
Temp. sensor (10kohm)	1 A/B	2-3	Must be NTC model.
External switch with no wire indicator	2 A/B	3-4	Both constant or impulse deactivation works.
External switch with wire indication	2 A/B	2-3-4	12VDC (max. 40mA).

NOTE! Crimp pliers are needed if changing modular cabling, e.g. shortening wires.

SELF-INSPECTION OF THE INSTALLATION

To check the installation:

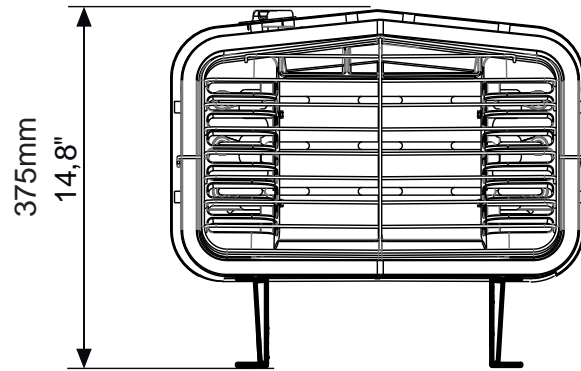
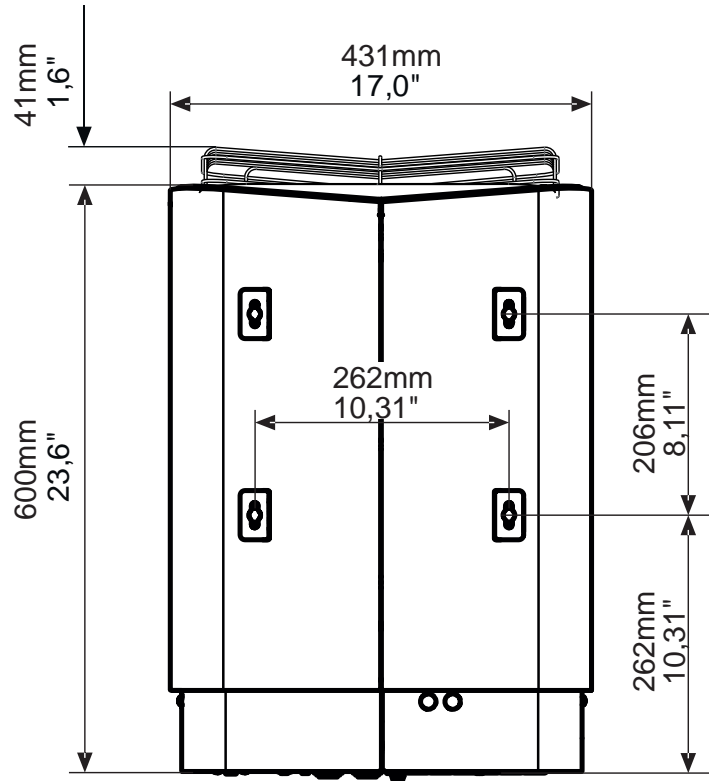
1. Turn power on at the Circuit Breaker Box.
2. Check that the control panel lights up.
3. Start the heater (see User Guide).
4. Check that all three tubular elements start to heat up (go red).

Please keep these instructions!

In the event of problems, please contact the retailer where you purchased the equipment.

© This publication may not be reproduced, in part or in whole, without the written permission of Tylö. Tylö reserves the right to make changes to materials, construction and design.

DIMENSIONS



USER GUIDE

GENERAL INFORMATION

Congratulations on your new sauna heater! Follow this user guide to get the most from your purchase.

Wet and dry saunas are forms of bathing which originate way back in history. A hot sauna is best enjoyed at temperatures between 145-190°F.

PRIOR TO USE

The first time you use the heater

Fill the stone compartment



NB: Always use dolerite stones (Tylö Sauna Stones)! "Ordinary" stones may damage the heater. Do not use ceramic stones. Ceramic stones may damage the heater. The heater guarantee does not cover damage caused by ceramic stones.

Fill the stone compartment around the heating elements from the bottom to the top, to approx. 2" above the top front edge. Do not press the stones into place. Capacity: Approx. 35 lb of stones. Place the stones loosely to allow optimum air circulation. The tubular heating elements must not be squeezed together or against the side.

Sauna stones must:

- tolerate extreme heat and fluctuations caused by water being poured on them.
- be cleaned before use.
- must have an uneven surface, so that the water "clings" to the stone surface and evaporates efficiently.
- be between 1-1/2" to 2" in size to allow air circulation in the stone compartment. This will increase the life of the tubular elements.



NB: Never place stones on top of the side air chambers. This way will obstruct air circulation, causing the unit to overheat and the cut-out switch to activate.

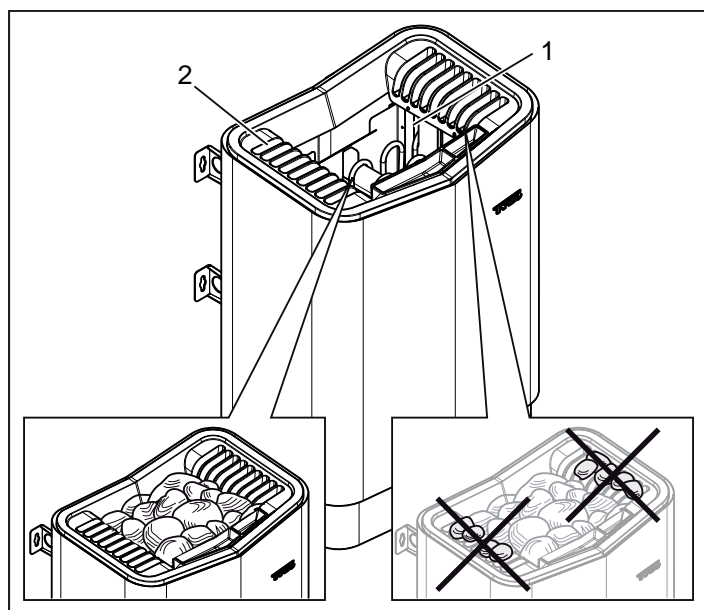


Figure 1: Filling the stone compartment

1. Stone compartment
2. Side chambers

Turn on the heater to remove any new paint odors

To remove "new paint odor" from the heater:

Heat the sauna heater for about one hour. The water reservoir does not need to be working.

A little smoke may appear.

Default settings

Using the control panel for the first time:

See instructions supplied with the control panel.

Prior to each use

Check the following

Check that:

- there are no foreign objects in the sauna cabin, on or in the heater.
- the door and any windows to the sauna cabin are closed.
- that the sauna door opens outwards with a little pressure.

NB:



DANGER! Fragrant essences and similar products may ignite, if poured directly onto the stones.



NOTE! Do not use the sauna cabin for any purpose other than taking saunas.

Turn on the main power switch

The main power switch is at the bottom of the heater.

Switch it on, if it is not already switched on (see Figure 2).

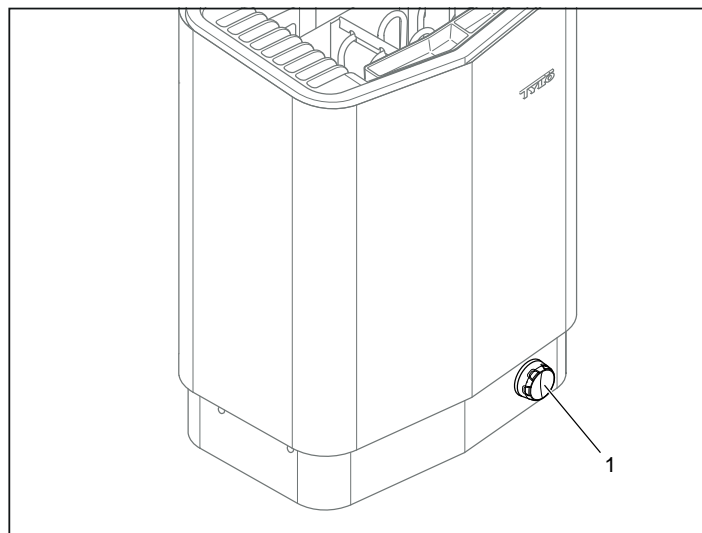



Figure 2: Positioning of the main power switch

1. Main power switch

The control panel in general

See instructions supplied with the control panel.

Fragrance holder

 **DANGER! Fragrant essences etc. may ignite if poured directly onto the stones.**

To create a pleasant fragrance in the sauna, pour a few drops of Tylo Sauna Fragrance into the water in the fragrance holder. You can also mix a few drops of the sauna fragrance with water in a sauna bucket and pour the water on fully heated stones. Use a sauna ladle for pouring water on the hot stones.

Tylo Sauna Fragrance comes in different variants and fragrances. Go to www.tylo.com to see the full range.

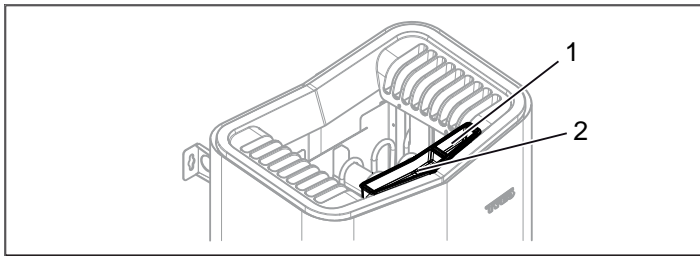




Figure 3: Other functions

1. Fragrance holder
2. Air humidifier

Air humidifier

 **DANGER! Do not pour water into the fragrance holder once it has been heated up, as this can cause boiling water to splash on the sauna occupants. Do not stand or sit in front of the heater while water is being poured into the fragrance holder, as hot water can spray out suddenly.**

To maintain a comfortable basic level of humidity in the sauna, fill the built-in air humidifier (see Fig. 3) with water before switching on the sauna.

 **Tip: Pour a few drops of diluted sauna fragrance into the built-in air humidifier.**

AFTER USE

Switch off the main power switch.

The main power switch is at the bottom of the heater. Switch off here when the heater is not to be used for an extended period (e.g. several weeks).

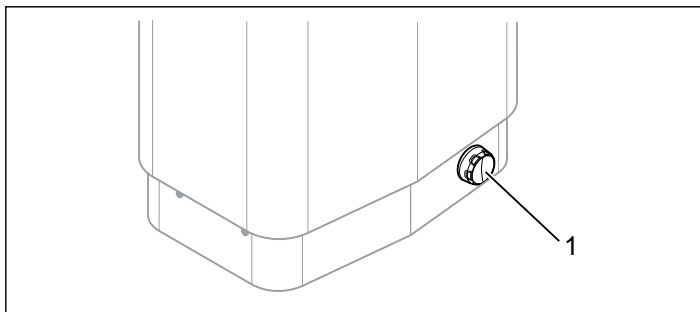


Figure 4: Positioning of the main power switch

MAINTENANCE

Cleaning the fragrance holder and air humidifier

Clean the fragrance holder and air humidifier as required. To clean the fragrance holder and air humidifier: Remove the fragrance holder/air humidifier and rinse them under running water.

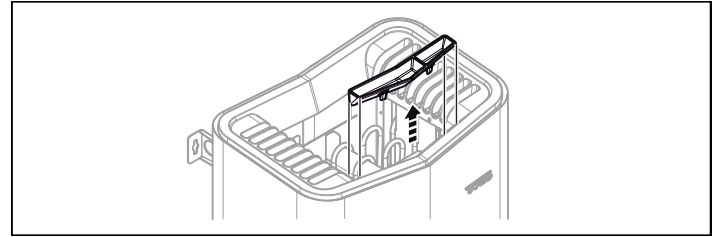



Figure 5: Cleaning the fragrance holder and air humidifier

Check the stone compartment

Check the stone compartment at least once annually or as many times per year as the heater is used per week. Example: If the unit is used 3 times a week, check the stone compartment 3 times per year.

 **WARNING! If the stone compartment fills up with gravel and small stones, the tubular element can be damaged as a result of overheating, as air flow will be insufficient.**

How to check the stone compartment:

1. Remove all stones from the compartment.
2. Remove any small stones, gravel and limescale from the compartment.
3. Put whole, undamaged stones back. Replace damaged stones with new ones as required (see Filling the stone compartment, page 6).

EXTERNAL ON/OFF SWITCH (OPTION)

External ON/OFF switch can be installed anywhere outside the sauna. The switch is momentary pulse or constant activation. The heater circuit automatically recognises which is used. Heater status and faults on the door contact can be seen if the switch has a built-in LED.

See instructions supplied with the control panel.

TROUBLESHOOTING

Temperature Safety Switches

The heater's temperature protection devices:

- **PCA** - The temperature safety on the PCA in the heater is designed to prevent components being damaged by overheating. If the safety switch is triggered, an error code shows on the control panel display.

If the overheating switch has activated, the heater cannot be started again until the temperature has dropped down 68 degrees (°F) on the PCA.

- **Heater** - The temperature cut-out in the heater protects the components and woodwork in the sauna from overheating. There is a white reset button on the left side of the heater which must be pressed in (see Fig. 9). If the heater safety switch has activated, the button will feel stiff and will 'click' when reset.

Information!

When the overheating safety switches activate, always check the cause of the problem. The life of the elements and PCA can be adversely affected by each overheating. If systems continues to overheat look at the following: Ventilation deficient? Room volume? Internal heater fault?

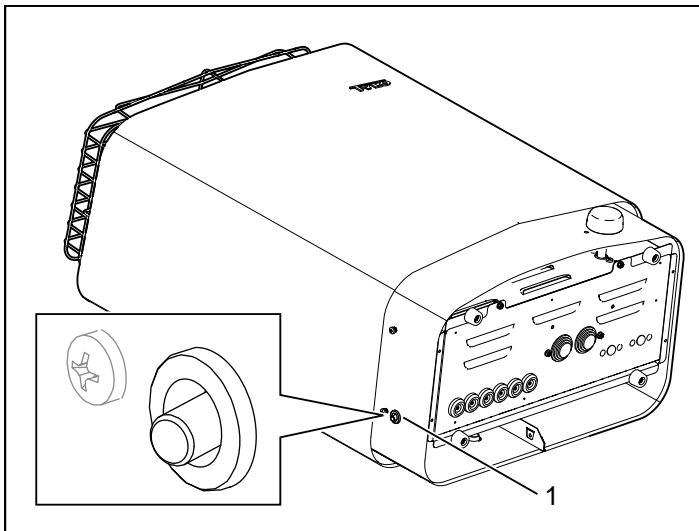


Figure 6: Resetting the temperature cut-out

1. Temperature cut-out sauna heater

Troubleshooting the control panel

See instructions supplied with the control panel.

Troubleshooting the sauna heater

Information!

Contact the dealer during the guarantee period in the event of faults.

See the instructions for the control panel for details of faults not covered in this user guide.

Table 1: Troubleshooting the sauna heater

Symptom	Possible cause	Remedy
Heater element in heater stone compartment does not warm up.	<ol style="list-style-type: none"> 1. Temperature settings on control panel do not correspond to operating status? 2. Water reservoir in operation? Only two of the three heater elements in the stone compartment can operate at the same time as the tank, otherwise excessive current is drawn from the electricity supply. This is not a fault outside normal operation. 3. Some of the heater fuses on the main switchboard can have tripped out? 4. Resistor coil in the heater element faulty? 5. Internal heater PCB fault? 	<ol style="list-style-type: none"> 1. Set temperature to correspond to heater element operation in stone compartment. 2. See the instructions supplied with the control panel. 3. Check and replace/reset the fuses in the main switchboard. 4. An authorised electrician is required to find the fault. 5. An authorised electrician is required to find the fault.
Lights in the sauna do not come on when switched on at the control panel.	<ol style="list-style-type: none"> 1. Is lighting connected via the heater? 2. Internal heater PCB fault? 	<ol style="list-style-type: none"> 1. Verify with authorized electrician who performed installation of heater/lighting. 2. An authorized electrician is required to find the fault.
Heater does not work, control panel does not light up.	<ol style="list-style-type: none"> 1. The main power switch is off? 2. Circuit breaker tripped on main electrical panel. 3. Loose contact in cabling between heater and control panel? 4. The specific 12VDC output on one of the PCB's RS485 modular jack to the control panel is faulty due to short-circuit? 5. Transformer on PCB in heater faulty? 6. Control panel faulty? 	<ol style="list-style-type: none"> 1. Turn heater main power switch. 2. Check and replace/reset the fuses in the main switchboard. 3. Switch off heater main power switch and connect each/paired cable to the control panel. Switch on heater main power switch again. If this does not help, an authorized electrician is required to find the fault. 4. Requires an authorized electrician to find the fault, faulty 12VDC output is indicated by LED out next to the RS485 output. Note: if the fault is in the RJ10 cable to the control panel, do not click into a working vacant RS485 outlet to avoid causing a fault in that outlet. RJ10 cable must be replaced/ contacts fitted in the event of a fault. 5. An authorized electrician is required to find the fault. 6. An authorized electrician is required to find the fault.
The fuses or circuit breaker in the building breaker panel trips as soon as the heater is turned on.	<ol style="list-style-type: none"> 1. There is a short-circuit at the heater GND. Can be due to a faulty heater element? 2. Lighting connected to and controlled via the heater faulty? 3. The heater has not been used for a long period, causing an insulation fault in the heater element? 4. Heater has had too much water poured on it? 5. Other internal heater fault? 	<ol style="list-style-type: none"> 1,2,3,4,5. Do not use the heater, switch off at main heater main switchboard trip and disconnect heater fuses on the main switchboard. An authorized electrician is required to find the fault.

SPARE PARTS LIST

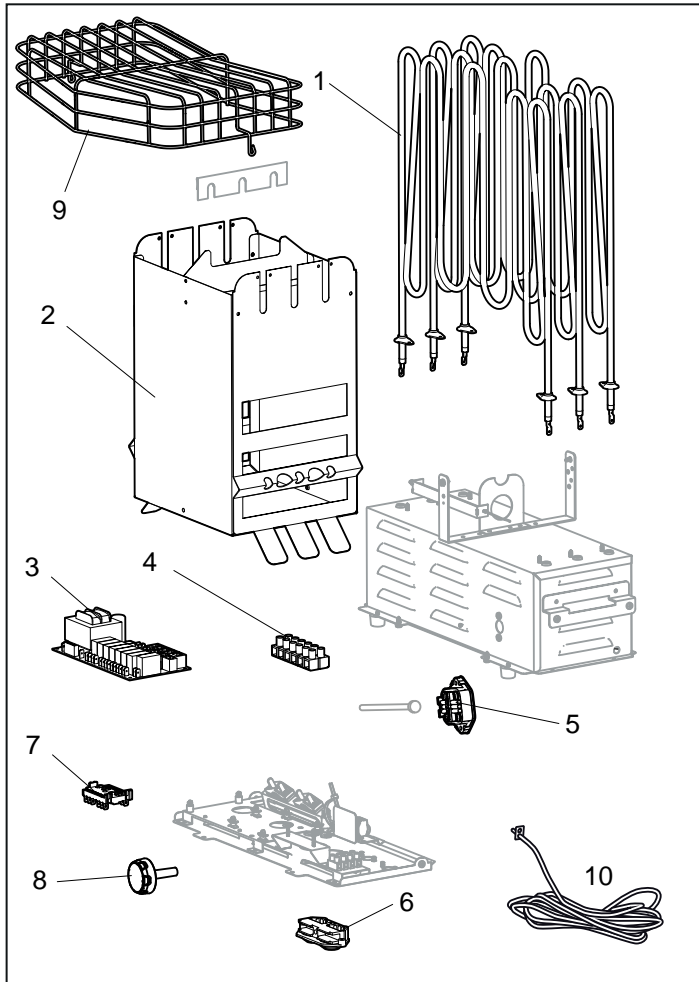


Figure 7: Spare parts 1

1.	U8 Pure/Elite Tubular Elements	3001-924
	U7 Pure/Elite Tubular element	3001-920
2.	Stone compartment	n/a
3.	Circuit board Elite	9600 0068
	Circuit board Pure	9600 0067
4.	Terminal block	9600 0723
5.	Sauna heater temperature safety switch	3119-607
6.	Strain relief connector	9600 0554
7.	On/Off Switch	9600 0040
8.	On/off dial	9600 0132
9.	Rock Guard	8019-541
10.	NTC Sensor	9600 0219

ROHS (RESTRICTION OF HAZARDOUS SUBSTANCES)

Instructions for environmental protection:

Do not dispose of this product with the domestic refuse when no longer in use. Take it to a recycling station for electrical and electronic equipment instead.

For further information, see the symbol on the product, manual or packaging.

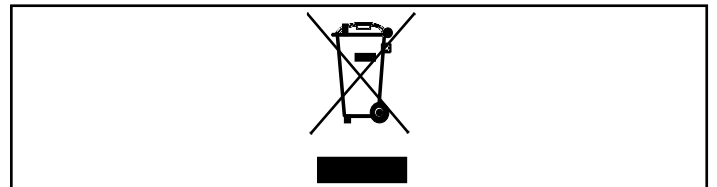


Figure 8: Symbol

The different materials can be recycled as specified by their labelling.

You can help protect the environment by recycling or reusing the spent appliances or the materials in them. Take the product to a recycling centre without the sauna stones or the soapstone jacket (if fitted).

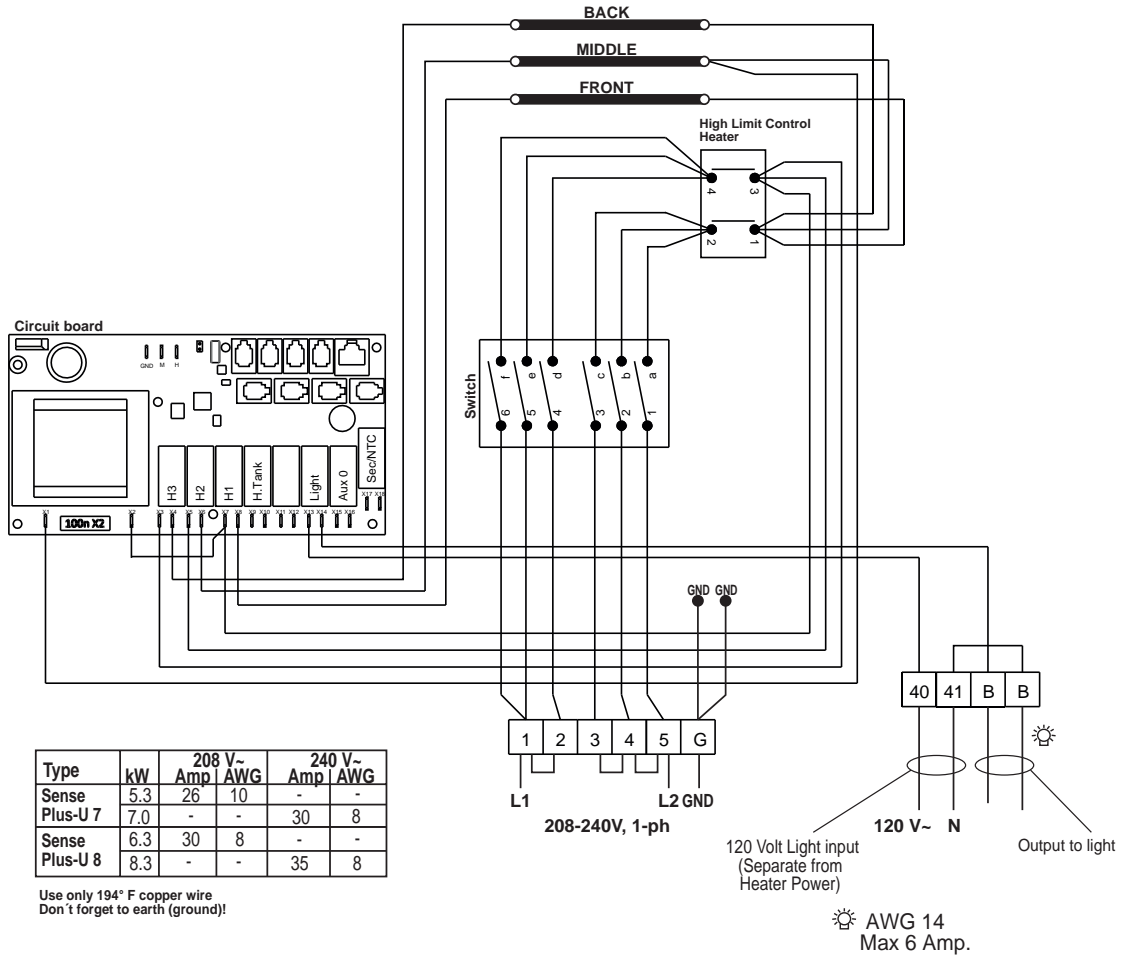
Contact your local authorities for details of your nearest recycling centre.

Please keep these instructions!

In the event of problems, please contact the retailer where you purchased the equipment.

© This publication may not be reproduced, in part or in whole, without the written permission of Tylö. Tylö reserves the right to make changes to materials, construction and design.

16
HEATER WIRING DIAGRAM



NOTICE D'INSTALLATION.....	18
AVANT L'INSTALLATION	18
Pièces	18
Exigences relatives à l'installation	18
Outils d'installation	18
Planifier l'installation	18
INSTALLATION	21
Installation du poêle de sauna	21
Interrupteur extérieur M/A (option)	22
BRANCHEMENT/CÂBLAGE	23
Description des câblages/prises modulaires	24
AUTOCONTRÔLE DE L'INSTALLATION.....	24
DIMENSIONS.....	25

NOTICE D'UTILISATION.....	26
INFORMATIONS GÉNÉRALES	26
AVANT L'UTILISATION	26
Avant la première utilisation du poêle	26
Avant chaque utilisation	26
UTILISATION	27
Généralités relatives au panneau de commande.....	27
Autres fonctions.....	27
INTERRUPTEUR EXTÉRIEUR M/A (OPTION)	27
APRÈS L'UTILISATION	27
Mettre l'appareil hors tension au moyen de l'interrupteur principal.....	27
ENTRETIEN	27
Nettoyage du récipient à parfum et de l'humidificateur.....	27
Contrôler le réservoir à pierres	27
DÉPANNAGE	28
Dépannage du panneau de commande	28
Dépannage du poêle.....	29
LISTE DES PIÈCES DE RECHANGE	30
ROHS (RESTRICTION OF HAZARD US SUBSTANCES)	30
SCHÉMA DE CÂBLAGE DU POÊLE	31



AVERTISSEMENT !

* **L'hyperthermie** survient lorsque la température interne du corps atteint un niveau de plusieurs degrés au-dessus de la température normale de 37° C (98,6° F). Les symptômes de l'hyperthermie comprennent une augmentation de la température interne du corps, des étourdissements, la léthargie, la somnolence et l'évanouissement. Les effets de l'hyperthermie comprennent :

- L'omission de percevoir la chaleur ;
 - Ne pas reconnaître la nécessité de sortir de la cabine ;
 - L'ignorance des dangers imminents ;
 - Des dommages fatals pour les femmes enceintes ;
 - L'incapacité physique de sortir de la cabine et
 - La perte de conscience
- La consommation d'alcool, de drogues ou de médicaments est fortement déconseillée avant d'entrer dans une cabine de sauna.
 - Les femmes enceintes ou les personnes ayant une mauvaise santé devront consulter leur médecin avant d'utiliser un sauna.
 - Attention risques d'incendie : Ne pas utiliser la cabine de sauna pour faire sécher des vêtements, des maillots de bain, etc. Ne pas accrocher les serviettes au-dessus du poêle ou placer un objet autre que les pierres fournies sur le poêle. Si un noircissement de la paroi autour du poêle apparaît, cessez immédiatement l'utilisation de sauna.
 - Examinez le sauna régulièrement pour l'entretien requis du poêle, des commandes et des banquettes. Remplacer les surfaces en bois qui présentent des signes de détérioration.
 - Le poêle devient extrêmement chaud pendant le fonctionnement. Risques de brûlures en cas de contact avec les surfaces.
 - Les enfants mineurs doivent être surveillés de manière adéquate lorsqu'ils sont à proximité d'un sauna chaud ou en phase de réchauffement.
 - Les systèmes de sécurité anti-incendie (sprinkler) utilisés à l'intérieur d'une cabine de sauna doivent être correctement réglés en fonction des températures de la cabine.
 - Ne pas verser de l'eau chlorée de piscine ou de spa sur le poêle. L'utilisation excessive d'eau sur le poêle peut provoquer des dommages et annuler la garantie.
 - Cet équipement ne doit pas être utilisé par des personnes (y compris des enfants) aux capacités physiques, sensorielles ou mentales affaiblies, ou n'ayant pas assez d'expérience et de connaissance, à moins d'être surveillées ou d'avoir reçu des instructions concernant l'utilisation de l'équipement, de la part d'une personne responsable de leur sécurité. Les enfants doivent être surveillés afin de s'assurer qu'ils ne jouent pas avec l'appareil.

- Risque de choc électrique - matériel à haute tension. Ce matériel ne contient aucune pièce réparable par l'utilisateur. Toute installation et service de ce matériel doivent être effectués par un personnel certifié et qualifié conformément aux codes locaux et nationaux.
- Ne pas construire la cabine de sauna de manière à limiter la circulation d'air à travers le fond du poêle.
- Empilez les pierres sans trop les serrer, au risque de déclencher la protection thermique.
- Maintenez un dégagement minimum entre le poêle et les surfaces en bois (bancs, cloisons latérales, grille de protection, etc.). Les supports de montage sont fournis. Ils assurent un dégagement adéquat par rapport au mur derrière le poêle.
- Utilisez uniquement du fil de cuivre de la taille et du type indiqués dans le tableau des caractéristiques du poêle et dont la température admissible est indiquée sur le boîtier de raccordement du poêle.
- Une rambarde ou un manteau de protection extérieur sont nécessaires autour du poêle pour éviter les brûlures de contact accidentel.
- Tous les poêles et les commandes doivent être mis à la terre conformément au code NEC pour éviter tout choc électrique en cas de panne de l'appareil.
- Ne pas monter de prises ou de boîtiers électriques à l'intérieur d'une cabine de sauna.
- Ne pas placer de banquettes au-dessus du poêle.
- Pour usage domestique uniquement.



Conservez la présente notice d'utilisation !
En cas de problèmes, veuillez contacter le revendeur où vous avez acheté le matériel.

© Cette publication ne peut être reproduite, en tout ou en partie, sans la permission écrite de Tylö. Tylö se réserve le droit d'apporter des modifications dans les matériaux, dans la construction et dans la conception.

NOTICE D'INSTALLATION

AVANT L'INSTALLATION

Pièces

Vérifiez que tous les éléments suivants se trouvent bien dans l'emballage :

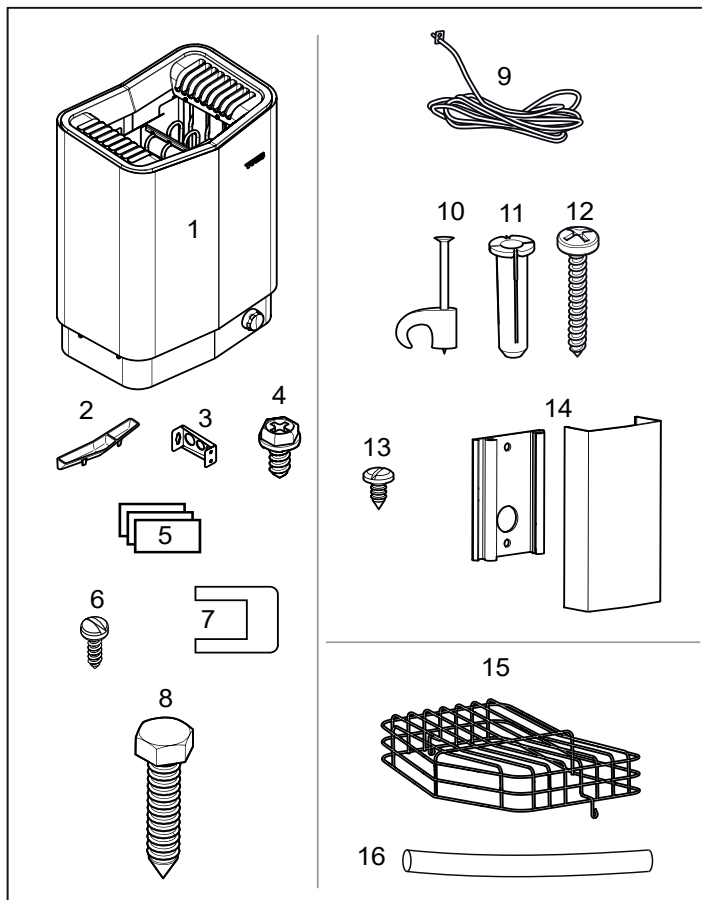


Fig. 1 : Éléments du poêle de sauna/panneau de commande

1. Poêle de sauna
2. Coupelle à herbes aromatiques/humidificateur
3. Supports x 4
4. Vis de fixation B8x9,5 x 1 pièce
5. Plaques d'avertissement et de danger pour la cabine en plusieurs langues
6. Vis B 4 x 6,5 x 6 pour plaques d'avertissement et de danger
7. Connecteurs x 3
8. Vis pour supports x 4
9. Capteur CTN, longueur de câble 4 m
10. Clips TC (3-5) x 10 pièces
11. Bouchon plastique 25 x 5 x 2 pièces
12. Vis B6x25 x 2 pièces
13. Vis B4x6,5 x 1 pièce
14. Capot de capteur
15. Protège-pierres
16. Gaine de protection Ø14x150 mm x 3 unités, pour les câbles RJ10 (sonde, panneau de commande, contacteur de porte)

Contactez votre revendeur s'il manque une pièce quelconque.

Exigences relatives à l'installation

Pour garantir une utilisation sûre du poêle, vérifiez que les critères suivants sont respectés :

- Le câblage électrique doit être installé conformément au code national d'électricité américain (NEC) et à tous les codes nationaux et locaux du pays où le système est installé.
- La taille du fusible (A) et la taille du câble d'alimentation (AWG) doivent être adaptées au poêle (voir le paragraphe intitulé Schéma de raccordement/branchement, Page 23).
- La ventilation du sauna doit se conformer aux instructions de ce manuel (voir le paragraphe intitulé Emplacement de l'entrée d'air, Page 20, le paragraphe intitulé Emplacement de la sortie d'air, Page 20).
- L'emplacement du poêle, du panneau de commande et des sondes doit se conformer aux instructions de ce manuel.
- La puissance du poêle (kW) doit être adaptée au volume du sauna en m³ (pi³) (Voir tableau 1, page 18). Les volumes minimum et maximum ne doivent pas être dépassés.
- REMARQUE : Un dispositif DDFT n'est pas requis par ETL. Un DDFT peut être installé si requis par les codes locaux. Cependant, les dispositifs DDFT ont tendance à se déclencher de manière intempestive lors de l'utilisation du produit.

Tableau 1 : Tension et volume du sauna

Modèle	Tension	Volume du sauna min. pi ³	Volume du sauna max. pi ³
Sense U 7 Pure/Elite (SPU7)	208 V	175	265
	240 V	175	320
Sense U 8 Pure/Elite (SPU8)	208 V	250	360
	240 V	250	440

Outils d'installation

Les outils et les matériaux suivants sont nécessaires pour l'installation et le branchement :

- niveau
- mètre-ruban
- perceuse électrique
- tournevis

Planifier l'installation

Avant de commencer à installer votre poêle de sauna :

- Planifier l'emplacement du poêle (voir Emplacement du poêle : paragraphe Montage normal, page 19).
- Planifier l'emplacement du panneau de commande (voir les instructions ci-jointes pour le panneau de commande pour l'emplacement adéquat).
- Planifier l'emplacement de la sonde (voir Fig. 3, page 19).
- Positionner la bouche d'entrée d'air (voir le paragraphe Emplacement de l'entrée d'air, page 20).
- Positionner la sortie d'air (voir le paragraphe Emplacement de la sortie d'air, page 20).
- Planifier l'installation électrique (voir le paragraphe Schéma de raccordement/branchement, page 23).

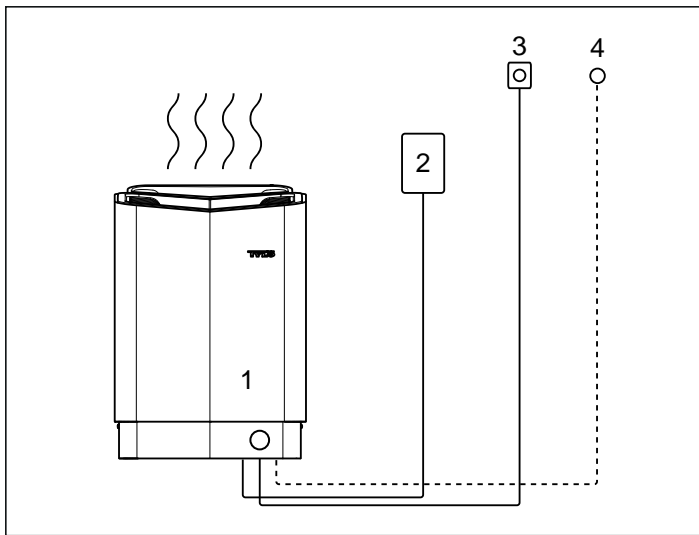


Fig. 2 : Schéma électrique de l'installation

1. Poêle de sauna
2. Panneau de commande
3. Sonde
4. Interrupteur extérieur marche/arrêt (option, contacteur de porte nécessaire pour la fonction)

Emplacement du panneau de commande

Le panneau de commande peut être monté à l'intérieur ou à l'extérieur de la cabine de sauna.

Le panneau de commande doit être correctement positionné en ce qui concerne les distances de sécurité ci-dessous, lorsqu'il est installé dans le sauna

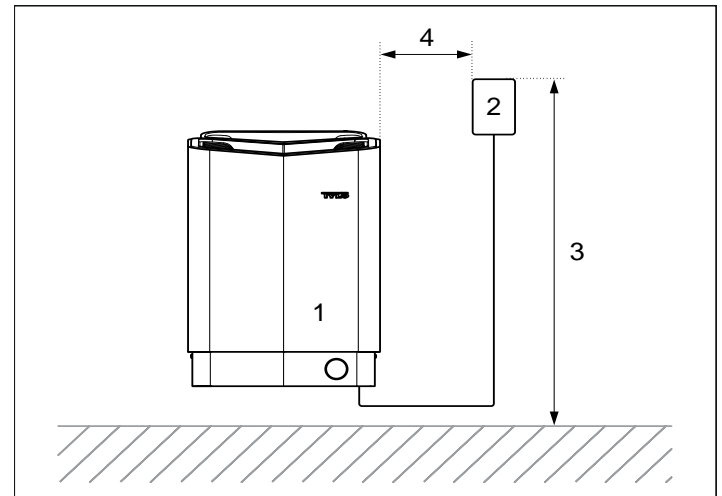


Fig. 4 : Distance de sécurité, panneau de commande

1. Poêle
2. Panneau de commande
3. 910 mm (36 po) max.
4. 300 mm (12 po) min.



DANGER ! L'installation de plus d'un poêle dans une même cabine de sauna est à proscrire.

Emplacement du poêle - montage normal

Placez le poêle de sauna :

- sur le même mur que la porte (ou la cloison latérale s'il est très près du passage de porte).
- Placez le poêle à une distance appropriée du sol, des cloisons latérales et des aménagements (voir Fig. 3).

Placez la sonde comme illustré (voir Fig. 3).

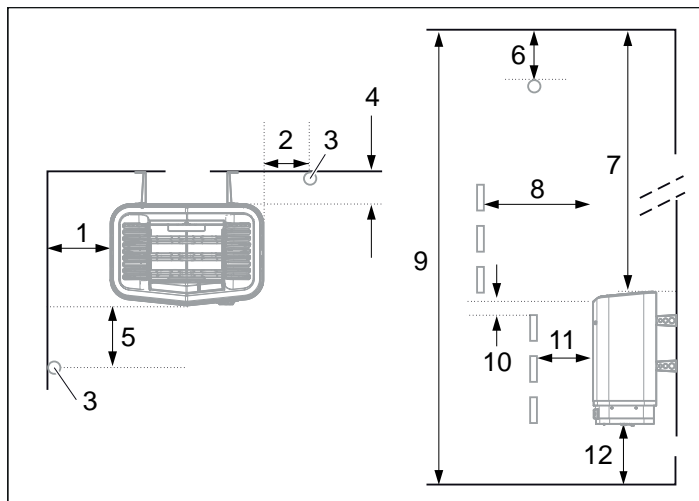


Fig. 3 : Emplacement du poêle - montage normal

1. Distance minimale par rapport aux cloisons latérales : 100 mm (4 po)
2. Emplacement de la sonde option 1 : 70 mm (3 po) du poêle
3. Sonde
4. Distance minimum à la paroi de fond (pieds inclus) : 95 mm
5. Emplacement de la sonde option 2 : 70 mm (3 po) de l'avant du poêle
6. Emplacement de la sonde : 25 mm (1 po) du plafond
7. Distance minimale par rapport au plafond : 1 100 mm (44 po)
8. Distance minimale par rapport aux aménagements : 100 mm (4 po)
9. Hauteur minimale sous plafond : 1 900 mm (75 po)
10. Distance minimale : 25 mm (1 po)
11. Distance minimale par rapport aux aménagements : 50 mm (2 po)
12. Distance par rapport au sol : 18 mm (7 po)



AVERTISSEMENT

RÉDUISEZ LE RISQUE DE SURCHAUFFE

- * Sortez immédiatement en cas de malaise, de vertige ou de somnolence. Un séjour prolongé dans un sauna peut provoquer une hyperthermie.
- * Les enfants doivent être sous surveillance constante.
- * Si vous êtes enceinte, malade ou sous soins médicaux, demandez l'avis d'un médecin avant d'utiliser le sauna.
- * L'inhalation de l'air chauffé combinée à la consommation d'alcool, de drogues ou de médicaments peut provoquer une perte de connaissance.



ATTENTION
RÉDUISEZ LE RISQUE D'INCENDIE

Ne posez jamais de matériau combustible sur le poêle.

Fig. 5 : Avertissement/Attention plaques

Ventilation de la cabine du sauna

Dans un sauna, l'air doit être renouvelé environ 6 fois par heure. Voir la Fig. 6.

Il est recommandé que les ouvertures de ventilation soient conformes aux exigences de la norme UL 875. L'ouverture minimale devra être déterminée en utilisant l'une des formules suivantes :

- Pour $R < 31$, $V \geq 9,3$
 Pour $R \geq 31$, $V \geq 0,3 \cdot R$

où R = la surface de plancher de la cabine en m² (pi²) et
 V = la taille de la bouche d'air minimum en mm² (pouces carrés)

Emplacement de l'entrée d'air

Installer l'entrée d'air directement à travers la cloison, sous l'axe central du poêle.

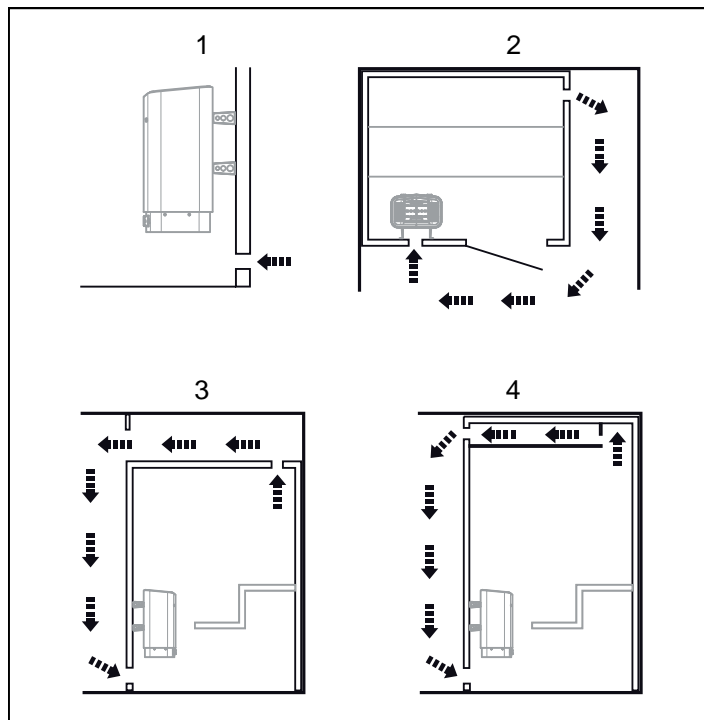


Fig. 6 : Emplacement des bouches d'entrée et de sortie d'air

1. Emplacement de l'entrée d'air.
2. Emplacement de la sortie d'air à travers la paroi du sauna.
3. Emplacement de la sortie d'air à travers la cavité.
4. Emplacement de la sortie d'air par le biais de la conduite.

Emplacement de la sortie d'air

Monter la sortie d'air

- à une distance maximale par rapport à l'entrée d'air, par exemple en diagonale (voir Fig. 6).
- en hauteur sur la cloison, ou au plafond (voir Fig. 6).
- de sorte que l'air débouche dans l'espace sur lequel donnent la porte et l'entrée d'air.

Les bouches de sortie et d'entrée d'air doivent avoir la même section.

Veiller à ce que la sortie d'air soit ouverte.

L'installation d'une ventilation mécanique est déconseillée, un mauvais échange d'air pouvant affecter la protection thermique de l'appareil.

Retrait du protège-pierres

Desserrer les deux vis sur le côté du poêle et soulever le protège-pierres vers le haut, voir Fig. 7. (Ceci est nécessaire lors du remplissage du compartiment de pierres ou du nettoyage du récipient à parfum et de l'humidificateur).

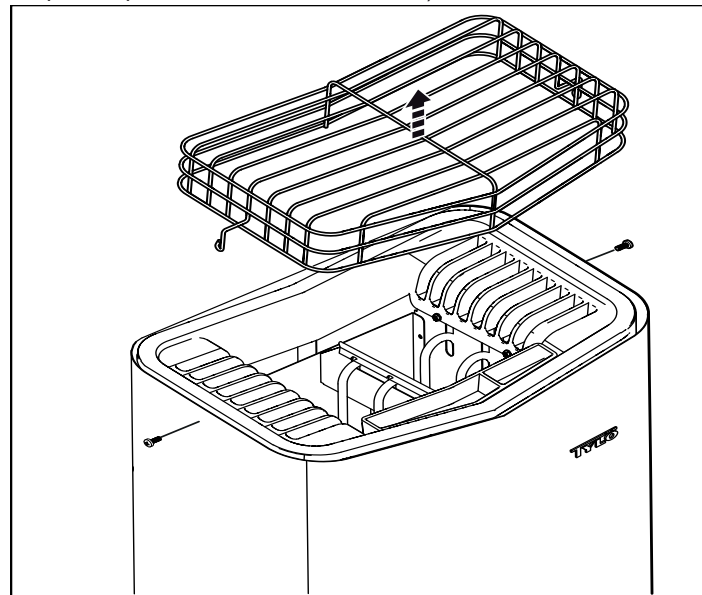


Fig. 7 : Retrait du protège-pierres

Conception de la cloison

Les règles suivantes doivent être observées, pour des raisons de sécurité et de fiabilité.

- L'AVERTISSEMENT ci-joint : Réduire le risque de surchauffe ... la plaque d'avertissement doit être montée sur ou à côté de la porte, à l'extérieur du sauna, au niveau des yeux. Utilisez les vis fournies.
- Le texte de PRUDENCE ci-joint : Réduire le risque d'incendie... la plaque de PRUDENCE doit être montée sur la paroi intérieure, au-dessus du poêle. Utilisez les vis fournies.
- Aucun système de fermeture permanent ne doit être utilisé sur la porte du sauna.
- Les ferrures de portes acceptables sont : loquets magnétiques, loquets à friction, fermetures à ressort ou par gravité. La porte doit toujours ouvrir vers l'extérieur.
- Aucune douche peut être installée dans une cabine de sauna.
- Ne pas monter de boîtier électrique à l'intérieur de la cabine de sauna.
- Le poêle ne doit pas être utilisé sans son récipient correctement rempli de pierres et le protège-pierres en place.
- Si un haut-parleur d'interphone est installé, il devra être éloigné du poêle et placé le plus près du sol possible.
- Si un éclairage ambiant est installé, il devra être du type monté en surface. Les éclairages muraux devront se placer à environ 1 750 mm (70") au-dessus du sol. Les luminaires de plafond devront être d'un type approuvé avec un boîtier de raccordement qui est à distance du luminaire lui-même. Utilisez uniquement un appareil qui utilise A.F. ou un appareil de type à câblage interne. Une lampe de 60 W devrait fournir un éclairage suffisant.
- Les systèmes de sécurité anti-incendie (sprinkler) installés à l'intérieur d'une cabine de sauna doivent être correctement réglés en fonction des températures de la cabine.
- Toujours monter le poêle selon les présentes instructions d'installation.

Construction murale typique

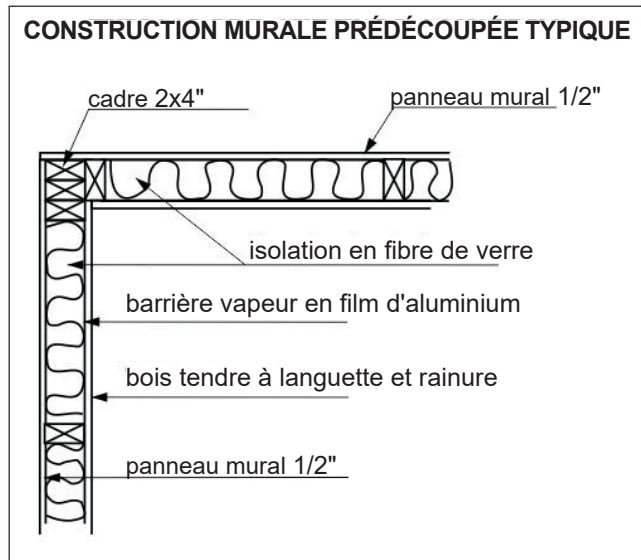


Fig. 8 : Construction murale typique

INSTALLATION

Installation du poêle de sauna

Il est plus facile de se préparer pour l'installation avec le poêle en position couchée.

Pour installer le poêle :

1. Poser le poêle au sol, face antérieure vers le haut.
2. Desserrer les vis et ouvrir le volet (voir la figure 9).

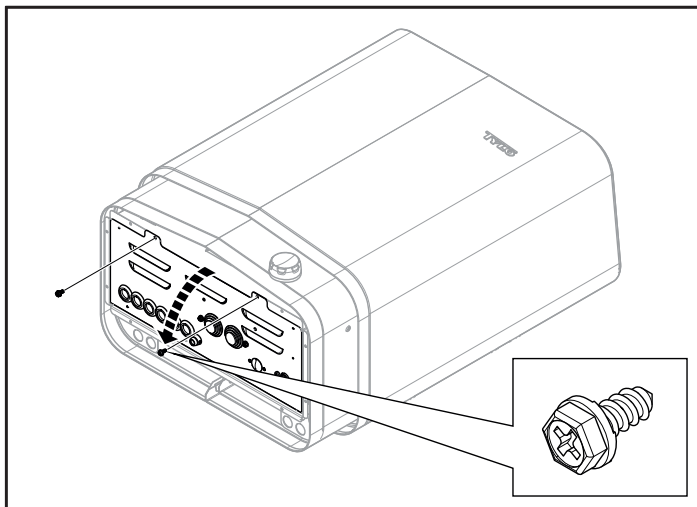


Fig. 9 : Ouverture/fermeture du volet



AVERTISSEMENT ! Toujours vérifier que le poêle est raccorder à la bonne tension principale/tension de phase !

Utiliser un câble standard (norme FK ou EKK) homologué pour installation fixe pour raccorder le poêle.

Le cas échéant, les fils électriques simples (FK) seront protégés du poêle par des gaines (PV).

3. Raccorder le câble électrique (1) au bornier (2) (voir Fig. 10), en suivant le schéma de raccordement (voir le paragraphe Schéma de raccordement/branchement, page 23).
4. Acheminer les câbles du panneau de commande et de la sonde de température à travers les passe-câbles (3). Raccorder le câble du panneau de commande (4) à l'un des quatre connecteurs RS485 (pos. 5-8 Pure, 6-9 Elite) (voir Fig. 10), en suivant le schéma de raccordement (voir le paragraphe Schéma de raccordement/branchement, Fig 18 page 23).
5. Raccorder le câble des sondes d'humidité et de température (6) à l'un des quatre connecteurs RS485 (pos. 5-8 Pure, 6-9 Elite) (5), en suivant le schéma de raccordement (voir le paragraphe Branchement/Schéma de câblage, Fig.18 page 23).

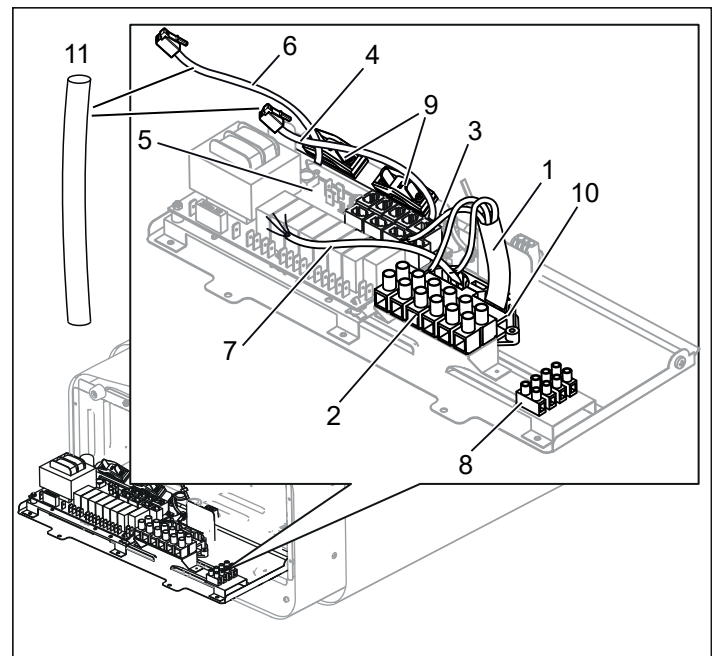


Fig. 10 : Carte électronique

- | | |
|---|---|
| 1. Câble électrique | 7. Câble d'éclairage (le cas échéant) |
| 2. Bornier pour le raccordement du câble électrique | 8. Bornier pour le raccordement de l'éclairage (le cas échéant) |
| 3. Passe-câble (x6) | 9. Connecteur anti-arrachement pour câbles des prises modulaires (x2) |
| 4. Câble du panneau de commande | 10. Connecteur anti-arrachement pour câble électrique |
| 5. Prises modulaires pour le raccordement du panneau de commande, de la sonde, etc. | 11. Gaine de protection pour les câbles RJ10 |
| 6. Câble de sonde | |
6. Raccorder le cas échéant le câble de l'éclairage (7) voir Fig. 10, au bornier (8) en suivant le schéma de raccordement Fig.18.
 7. Fermer le volet et serrer les vis (voir Fig. 9).



NOTE : Si toutes les vis de la face arrière sont déposées en même temps, la tôle risque de se détacher. Par conséquent, monter les quatre supports sur le poêle l'un après l'autre.

8. Déposer les deux premières vis de la face arrière du poêle et visser l'un des quatre supports. Répéter l'opération jusqu'à ce que tous les supports soient en place, voir la figure 11.

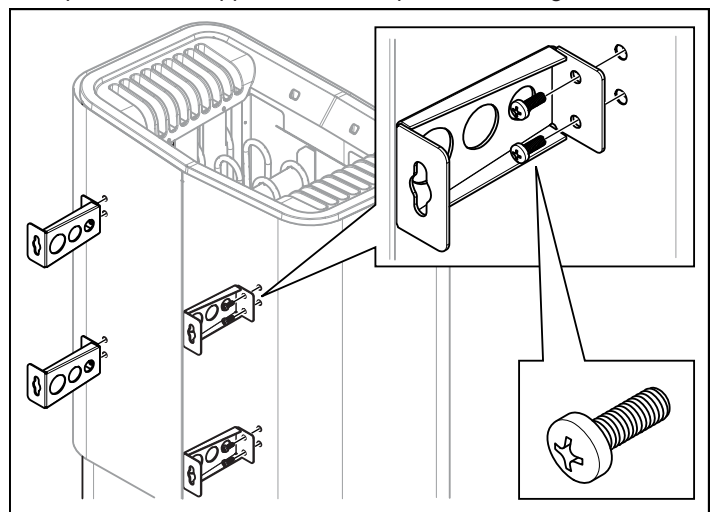


Fig. 11: Monter les supports sur le poêle

9. Installer les vis pour support d'après les cotes, voir la figure 12.

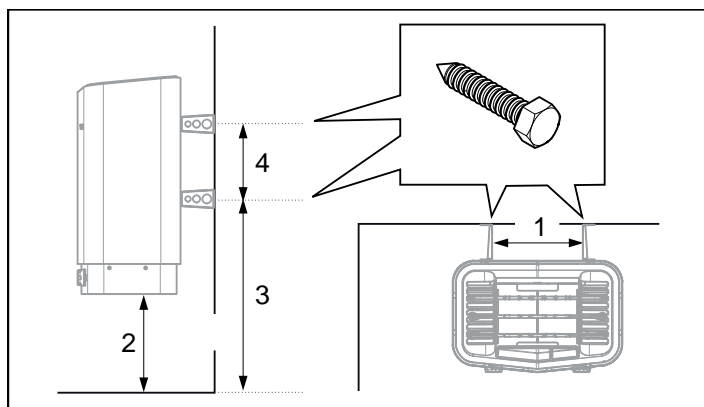


Fig. 12 : Cotes

1. 262 mm (10.31 po)
2. 270 mm (6 po)
3. 532 mm (16.3 po)
4. 206 mm (8.11 po)

10. Coupelle à herbes/humidificateur (voir la figure 13).

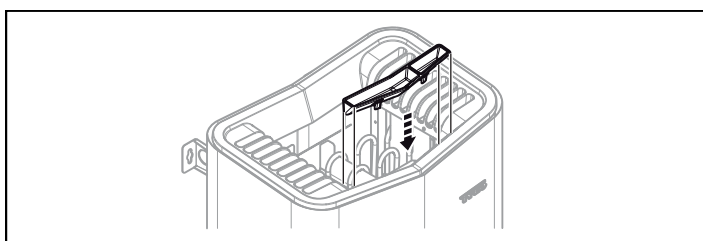


Fig. 13 : Montage du récipient à parfum/de l'humidificateur

11. Accrocher le poêle aux vis, voir la figure 14.

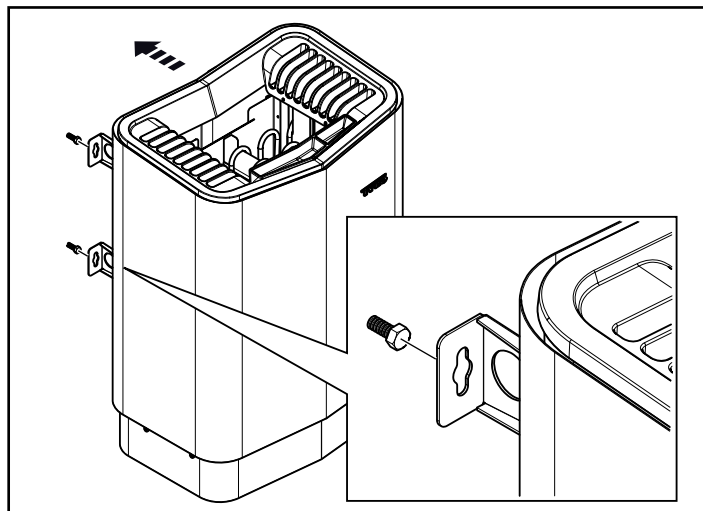


Fig. 14 : Fixer le poêle

12. Immobiliser le poêle au moyen de la vis de fixation, voir la figure 15.

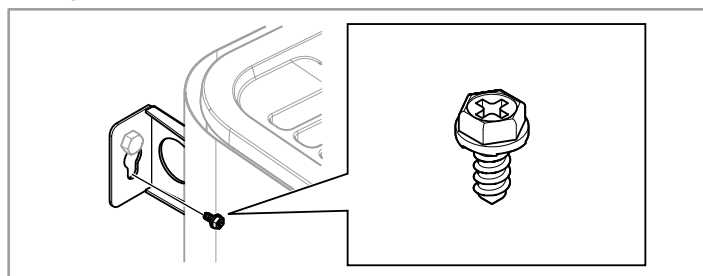


Fig. 15 : Vis de fixation du support

13. Installer le capteur sur la cloison, voir la figure 16. Le câble du thermistor peut également passer à travers la cloison. Boucher, le cas échéant, les orifices dans la cloison derrière le capteur, voir la figure 17. Il est possible de prolonger le câble du thermistor en utilisant un câble (2 conducteurs) basse tension, à l'extérieur du sauna.

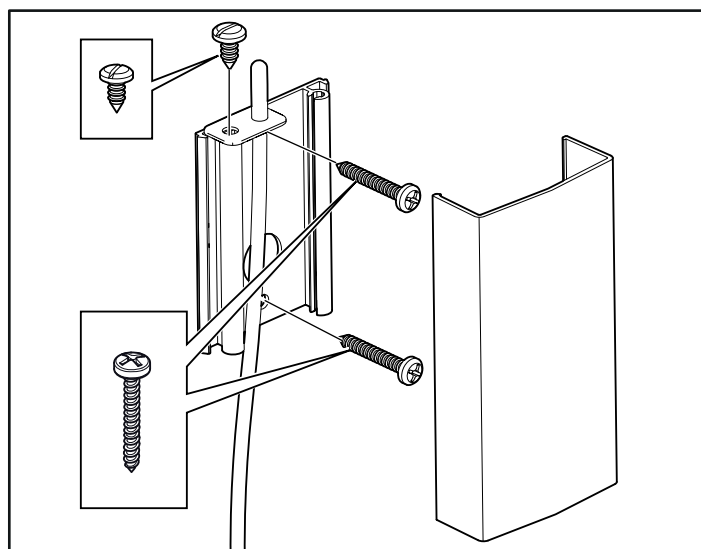


Fig. 16 : Montage du capteur

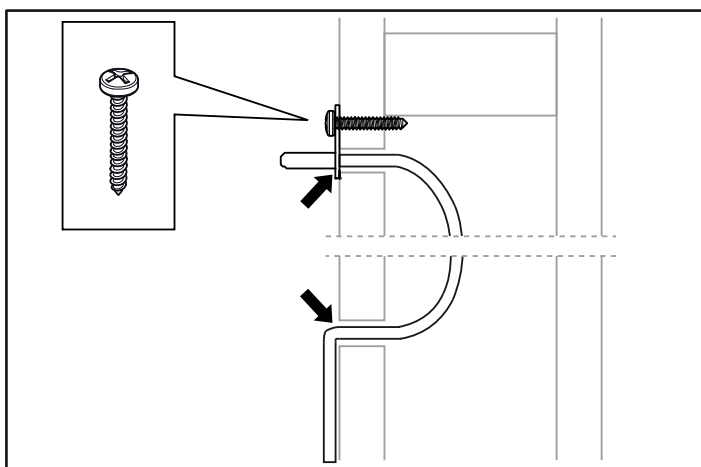


Fig. 17 : Boucher les orifices, le cas échéant

Tensions/nombre de phases inhabituelles

Pour un raccordement à d'autres tensions ou d'autres nombres de phases ne figurant pas sur le schéma Fig. 18, contacter le service de maintenance Tylö.

Interrupteur extérieur M/A (option)

L'interrupteur extérieur M/A peut être positionné n'importe où à l'extérieur du sauna, sans dépasser 23 m (75 pi) depuis le poêle, pour éviter la perte de tension dans le câble. La perte de tension affecte l'indicateur LED de l'état du poêle (si intégré et raccordé à l'interrupteur).

Pour plus d'informations, voir les instructions fournies avec le panneau de commande.

SCHÉMA DE RACCORDEMENT/BRANCHEMENT

TAB	208 V monophasé			240 V monophasé		
Modèle	Intensité A	Puissance kW	Section du conducteur AWG	Intensité A	Puissance kW	Section du conducteur AWG
Sense U 7 Pure/Elite	26	5,3	10	30	7,0	8
Sense U 8 Pure/Elite	30	6,3	8	35	8,3	8

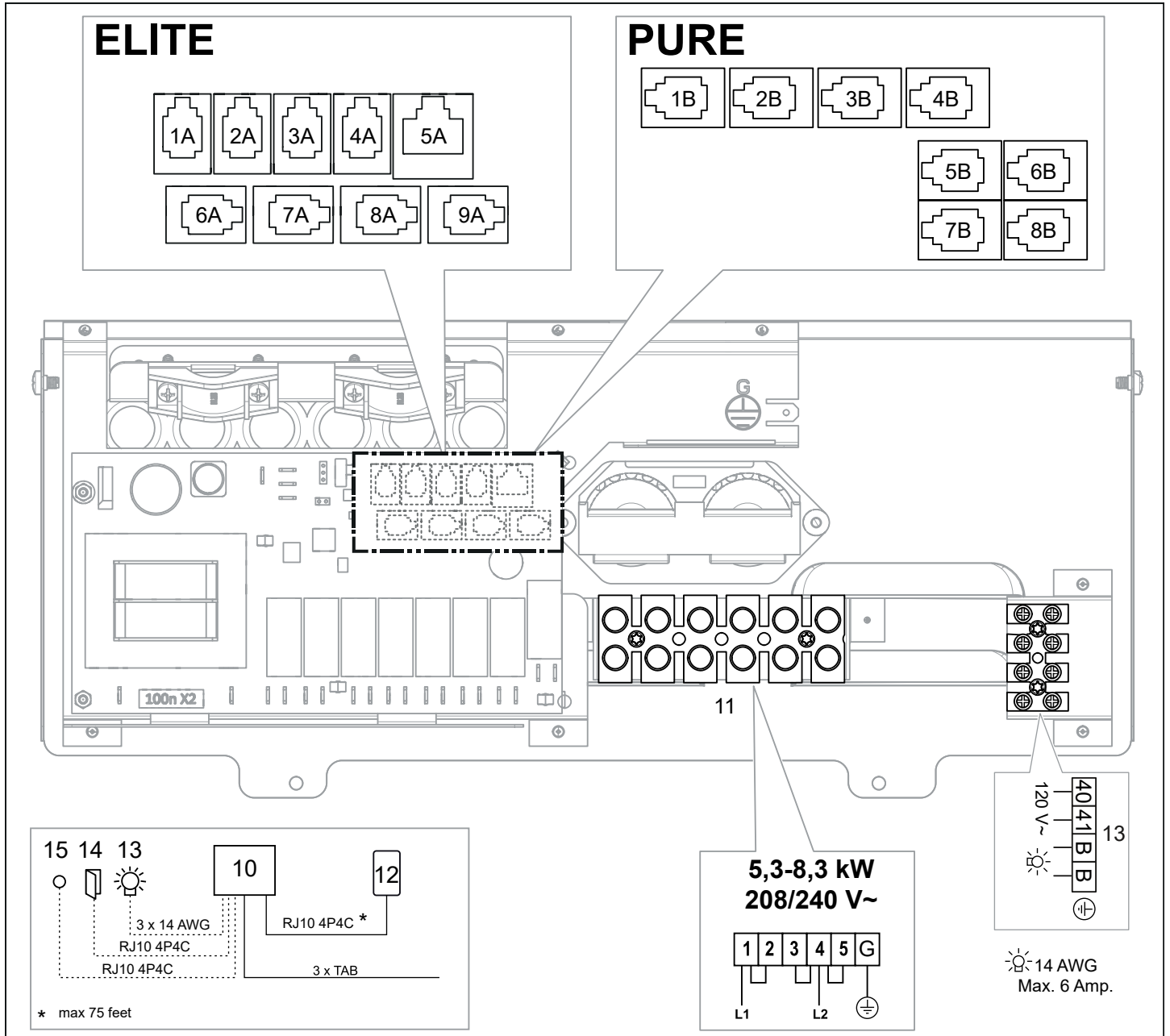


Fig. 18 : Schéma de branchement

- | | | |
|---|---|--|
| 1A. Sonde NTC | 1B. Sonde NTC | 10. Poêle |
| 2A. Inter. ext. (Interrupteur extérieur option) | 2B. Inter. ext. (Interrupteur extérieur option) | 11. Bornier pour le raccordement du câble électrique |
| 3A. N/A | 3B. N/A | 12. Panneau de commande (Elite - raccorder aux positions 9A) (Pure - raccorder aux positions 8B) |
| 4A. N/A | 4B. N/A | 13. Éclairage/bornier pour le raccordement de l'éclairage |
| 5A. N/A | 5B. N/A | 14. Contacteur de porte (option) |
| 6A. N/A | 6B. N/A | 15. Interrupteur extérieur (option) |
| 7A. N/A | 7B. N/A | |
| 8A. N/A | 8B. Panneaux de commande Pure | |
| 9A. Panneaux de commande Elite | | |

Description des câblages/prises modulaires

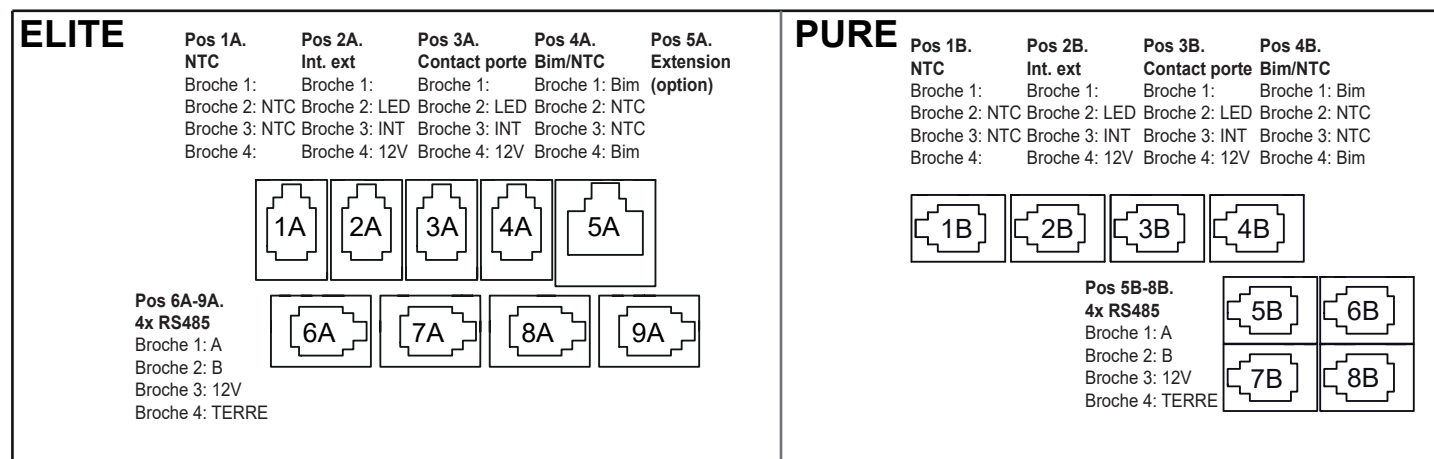
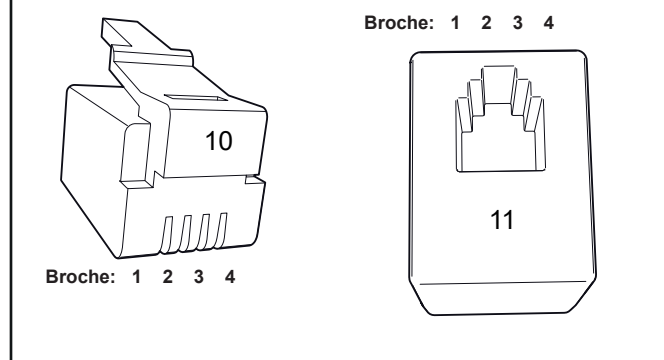


Fig. 19 : Prises modulaires, description

ELITE	PURE
(Pos. 1-4 et 6-9 : RJ10, Pos. 5 : RJ45)	(Pos. 1-8 : RJ10)
1A. Sonde NTC	1B. Sonde NTC
2A. Inter. ext. (Interrupteur extérieur option)	2B. Inter. ext. (Interrupteur extérieur option)
3A. N/A	3B. N/A
4A. N/A	4B. N/A
5A. N/A	5B. N/A
6A. N/A	6B. N/A
7A. N/A	7B. N/A
8A. N/A	8B. Panneaux de commande Pure
9A. Panneaux de commande Elite	10. Prise modulaire (RJ10)
10. Prise modulaire (RJ10)	11. Contact modulaire (RJ10)
11. Contact modulaire (RJ10)	

Tableau 3 : Branchement des composants dans les contacts modulaires (section de câble max. pour RJ10 : 0,90 mm/0,20 mm², AWG24)

Branchement de	Pos.	Broche	Commentaire
Sonde de temp. (10 kohm)	1 A/B	2-3	Doit être un modèle NTC.
Interrupteur extérieur sans diode	2 A/B	3-4	Versions à impulsion ou raccordement constant possibles.
Interrupteur extérieur avec diode	2 A/B	2-3-4	12 VDC (40mA max.).



REMARQUE ! En cas de modification du câblage modulaire, par exemple une réduction de la longueur d'un câble, une pince à sertir est nécessaire.

AUTOCONTRÔLE DE L'INSTALLATION

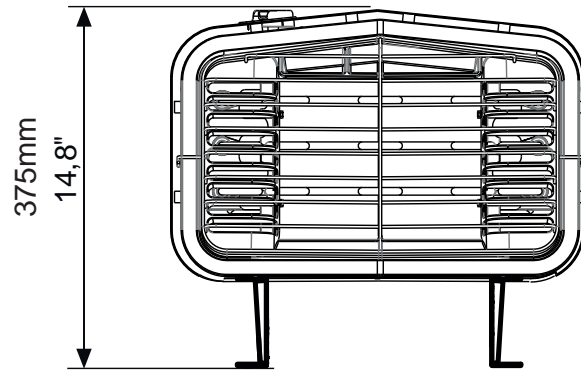
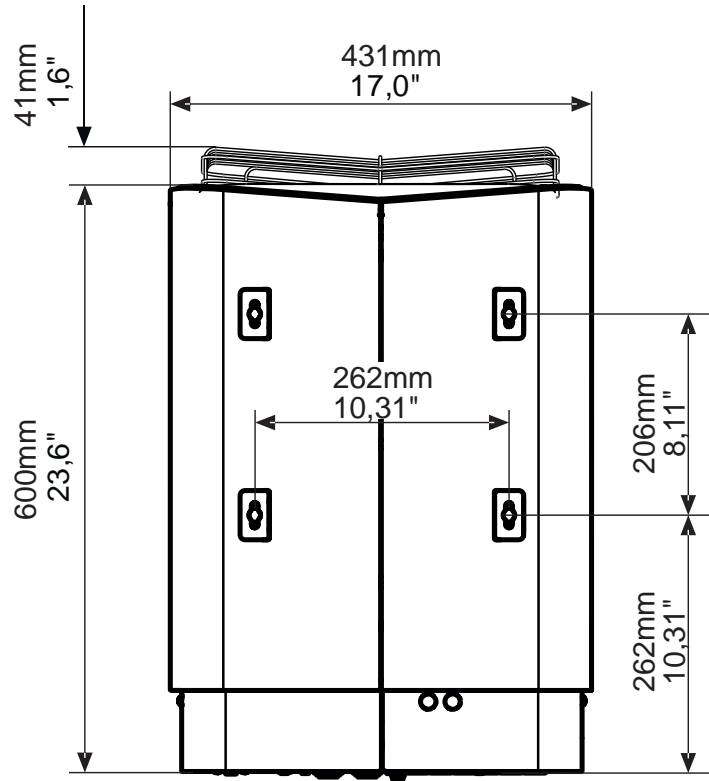
Pour contrôler l'installation :

1. Brancher l'alimentation principale du poêle.
2. S'assurer que le panneau de commande est allumé.
3. Mettre le poêle en marche (voir Notice d'utilisation).
4. Vérifier que les trois résistances s'allument (deviennent rouges).

Conserver la présente notice d'utilisation !

En cas de problèmes éventuels, veuillez vous adresser au point de vente.
© Toute reproduction, intégrale ou partielle, est interdite sans l'autorisation écrite de Tylö. Tylö se réserve le droit de procéder sans préavis à des modifications des matériaux, de la conception et du design.

DIMENSIONS



NOTICE D'UTILISATION

INFORMATIONS GÉNÉRALES

Vous venez d'acquérir un poêle de sauna et nous vous en remercions. Pour en retirer tous les bienfaits escomptés, vous devez suivre scrupuleusement les instructions contenues dans la présente notice d'utilisation.

Le sauna sec et le sauna humide sont des pratiques thermales à l'origine très ancienne. Elles font appel à des températures très élevées, situées, dans l'idéal, entre 70 et 90 °C (145-190°F).

AVANT L'UTILISATION

Avant la première utilisation du poêle

Remplir le réservoir de pierres



NOTE : N'utiliser que des pierres de type diabase (pierres pour sauna Tylö) ! L'usage de pierres « ordinaires » risquerait d'endommager le poêle. Ne pas utiliser de pierres en céramique. L'usage de pierres en céramique risquerait d'endommager le poêle. La garantie du poêle n'est pas applicable aux dommages provoqués par des pierres en céramique.

Remplir le réservoir à pierres jusqu'à environ 50 mm (2") au-dessus du bord supérieur du poêle. Ne pas appuyer sur les pierres pour les mettre en place. Quantité nécessaire : env. 15 kg de pierres (35 lb).

Les pierres doivent être suffisamment écartées pour permettre à l'air de circuler le mieux possible à l'intérieur du réservoir. Les résistances tubulaires ne doivent pas être comprimées, ni coincées contre le châssis de l'appareil

Remarques concernant les pierres utilisées dans le sauna :

- elles doivent supporter une forte chaleur et les variations de température auxquelles elles sont soumises lorsqu'on les arrose d'eau.
- elles doivent être nettoyées avant utilisation.
- elles doivent présenter une surface irrégulière qui puisse « fixer » l'eau, de manière à obtenir un meilleur dégagement de vapeur.
- Elles doivent avoir une taille comprise entre 30 et 60 mm (1-1/2" à 2") de manière à assurer une bonne circulation de l'air. On prolongera ainsi la durée de vie des résistances.



NOTE : Ne jamais poser de pierres sur les chambres de ventilation latérales. Les recouvrir empêche la circulation d'air, le poêle surchauffe et la protection thermique se déclenche.

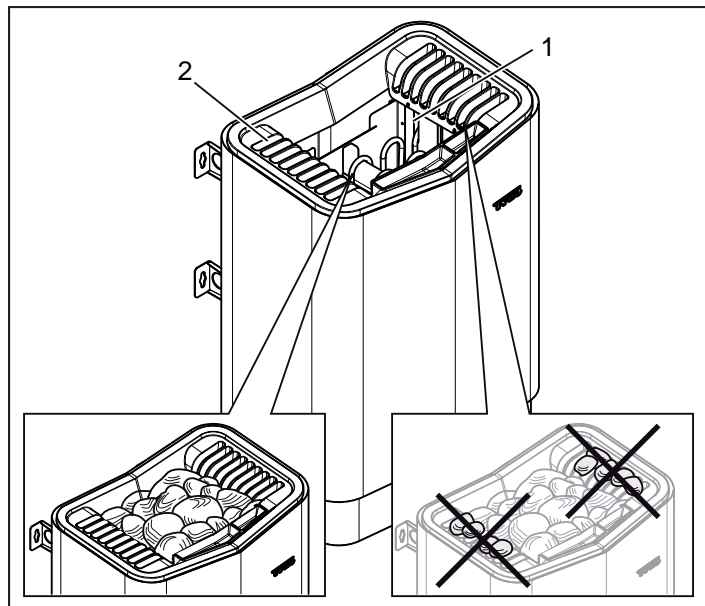


Fig. 1 : Remplissage du réservoir à pierres

1. Réservoir à pierres
2. Chambres latérales

Faire fonctionner le poêle pour chasser l'odeur d'appareil neuf. Pour chasser « l'odeur d'appareil neuf » dégagée par le poêle : Faire chauffer le sauna pendant environ une heure. Le réservoir d'eau n'a pas besoin de fonctionner.

Il peut se produire un léger dégagement de fumée.

Réglages de base

À la première utilisation du panneau de commande :

Consulter les instructions fournies avec le panneau de commande.

Avant chaque utilisation

Vérifier les points suivants

S'assurer que :

- aucun objet qui n'y a pas sa place ne se trouve dans la cabine, sur le poêle, ni à l'intérieur de celui-ci.
- la porte et les éventuelles fenêtres de la cabine sont fermées.
- la porte du sauna peut être ouverte vers l'extérieur d'une légère poussée.

NOTE :



DANGER ! Les essences parfumées etc. peuvent s'enflammer si le liquide est versé sur le réservoir à pierres.



REMARQUE ! La cabine de sauna ne doit pas servir à d'autres usages.

Mettre l'appareil sous tension au moyen de l'interrupteur principal

L'interrupteur principal se trouve au bas de l'appareil.

Appuyer sur l'interrupteur général s'il n'est pas enclenché (voir la Fig. 2).

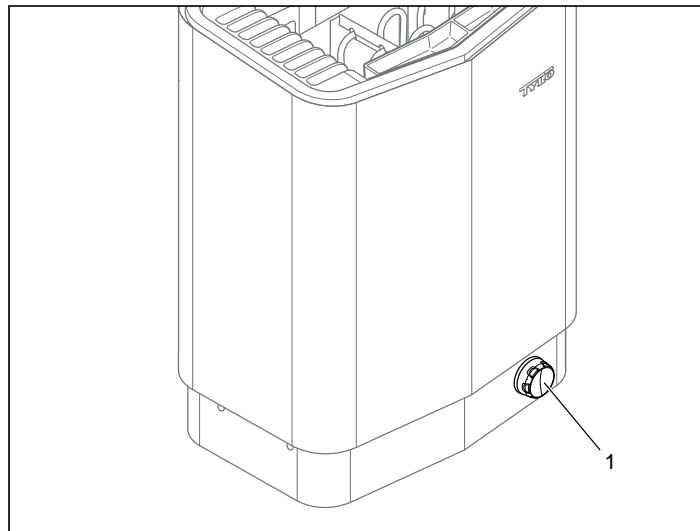


Fig. 2 : Emplacement de l'interrupteur principal

1. Interrupteur principal

UTILISATION

Généralités relatives au panneau de commande

Consulter les instructions fournies avec le panneau de commande.

Réceptif à parfum



DANGER ! Les essences parfumées etc. peuvent s'enflammer si le liquide est versé non dilué sur le réservoir à pierres.

Pour créer une atmosphère parfumée dans la cabine, déposez quelques gouttes de parfum de sauna Tylo dans l'eau du récipient à parfum.

Vous pouvez également verser quelques gouttes de parfum de sauna dans un seau rempli d'eau que vous versez sur des pierres suffisamment chaudes. Pour cela, utilisez une louche en bois.

Le parfum de sauna Tylo existe en différentes variantes et odeurs : Vous trouverez la gamme sur www.tylo.com.

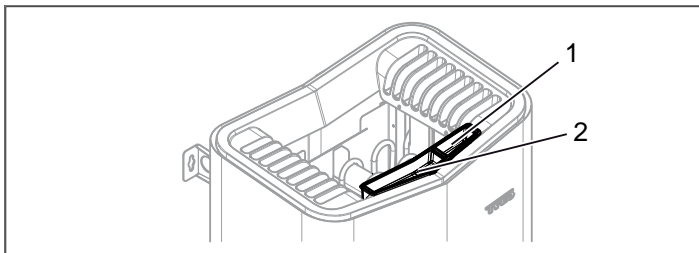


Fig. 3 : Autres fonctions

1. Récipient à parfum
2. Humidificateur

Humidificateur



DANGER ! Si l'on verse de l'eau dans l'humidificateur une fois qu'il est chaud, de l'eau bouillante risque d'éclabousser les baigneurs. Il est déconseillé de se tenir debout ou d'être assis sur la banquette devant le poêle lorsque de l'eau est versée dans l'humidificateur en raison du risque d'éclaboussures violentes d'eau brûlante.

Pour obtenir une hygrométrie de base agréable, remplir d'eau l'humidificateur intégré (voir la figure 3) avant la mise en service du sauna.



CONSEIL : On peut ajouter quelques gouttes de parfum de sauna à l'eau contenue dans l'humidificateur intégré.

APRES UTILISATION

Mettre l'appareil hors tension au moyen de l'interrupteur général.

Le dispositif comporte un interrupteur général, au bas de l'appareil.

Il est préférable de mettre l'installation hors tension si le sauna doit rester inutilisé pendant une période assez longue, par exemple de plusieurs semaines.

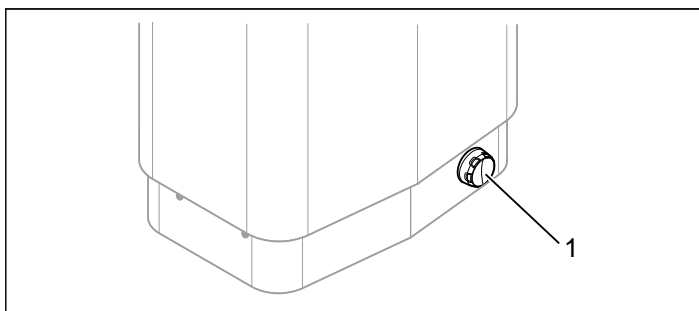


Fig. 4 : Emplacement de l'interrupteur principal

ENTRETIEN

Nettoyage du récipient à parfum et de l'humidificateur

Nettoyer au besoin le récipient à parfum et l'humidificateur

Pour nettoyer le récipient à parfum et l'humidificateur :

Enlever le récipient à parfum/l'humidificateur et le rincer sous l'eau courante.

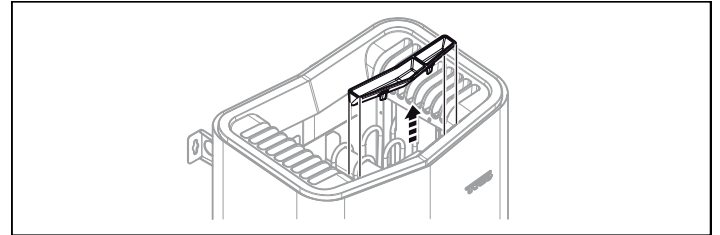


Fig. 5 : Nettoyage du récipient à parfum et de l'humidificateur

Contrôler le réservoir à pierres

Contrôler le réservoir à pierres au moins une fois par an ou autant de fois par an que le poêle est utilisé par semaine.

Exemple : si le poêle est utilisé en moyenne 3 fois par semaine, contrôler le réservoir à pierres 3 fois par an.



AVERTISSEMENT ! Si le réservoir à pierres est encombré de gravier et de petits cailloux qui gênent la circulation d'air, la surchauffe qui en résulte risque d'endommager les résistances.

Pour contrôler l'état du réservoir à pierres :

1. Retirer toutes les pierres du réservoir.
2. Éliminer tous les fragments de pierre, graviers et concrétions de tartre.
3. Remettre en place les pierres restées intactes, et remplacer celles qui présentent des défauts (Voir la section Remplir le réservoir à pierres, page 13).

INTERRUPTEUR MARCHE/ARRÊT EXTÉRIEUR (OPTION)

Un interrupteur MARCHE/ARRÊT extérieur peut être installé n'importe où à l'extérieur du sauna. L'interrupteur existe en version à impulsion ou raccordement constant. Le circuit du poêle reconnaît automatiquement le type d'interrupteur utilisé. L'état du poêle et les pannes du contacteur de porte peuvent être lus si l'interrupteur comporte une LED intégrée.

Consulter les instructions fournies avec le panneau de commande.

Protections thermiques

Les dispositifs de protection thermique du poêle :

- **PCA** - La protection thermique sur le PCA qui équipe le poêle vise à protéger de la surchauffe les éléments électroniques. Si la protection thermique est déclenchée, un code d'erreur s'affiche sur le panneau de commande.

Lorsque la protection thermique s'est déclenchée, le retour au fonctionnement normal intervient dès que la température baisse en-dessous de 20° C (68 (°F) sur le PCA.

- **Poêle** - La protection thermique dans le poêle sert empêcher la surchauffe du bois et des composants électroniques à l'intérieur du sauna. Sur le dessous du poêle se trouve un bouton-poussoir rouge (voir Fig. 6). Si la protection thermique du poêle s'est déclenchée, un déclic est ressenti lorsqu'on enfonce le bouton. Si la protection thermique ne s'est pas déclenchée et après réinitialisation, le bouton est toujours sur ressort.

Remarque !

Lorsque les protections thermiques de sécurité sont déclenchées, vérifier toujours la cause du problème. La durée de vie des résistances tubulaires et du PCA peut être altérée par chaque surchauffe. Une surchauffe répétitive peut être une indication de ce qui suit : Ventilation déficiente ? Volume de la cabine ? Défaut interne du poêle ?

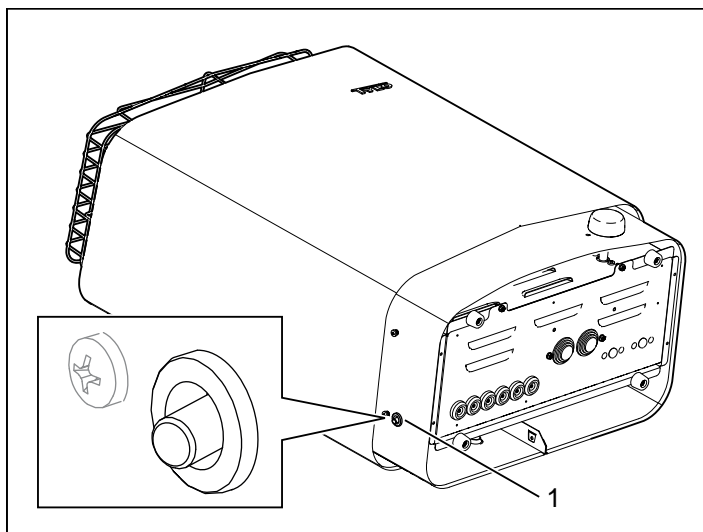


Fig. 6: Réinitialisation de la protection thermique

1. Protection thermique du poêle de sauna

Dépannage du panneau de commande

Consulter les instructions fournies avec le panneau de commande.

Dépannage du poêle de sauna

Remarque !

Contactez le revendeur pendant la période de garantie en cas de défauts.

Consultez les instructions pour le panneau de commande pour les détails ou défauts non couverts dans cette notice d'utilisation.

Tableau 1 : Dépannage du poêle de sauna

Symptôme	Cause probable	Mesure à prendre
La résistance dans le réservoir à pierres du poêle ne chauffe pas.	<ol style="list-style-type: none"> 1. Les paramètres de température sur le panneau de commande ne correspondent pas à l'état de fonctionnement ? 2. Réservoir d'eau en service ? Seules deux des trois résistances du poêle dans le réservoir à pierres peuvent fonctionner en même temps que le réservoir. Trop de courant serait autrement nécessaire. Ce n'est pas un défaut en dehors du fonctionnement normal. 3. Quelques-uns des fusibles du poêle sur le tableau électrique principal peuvent avoir sauté ? 4. Serpentin dans la résistance du poêle défectueux ? 5. Défaut interne de la carte PCB du poêle ? 	<ol style="list-style-type: none"> 1. Régler la température pour qu'elle corresponde au fonctionnement de la résistance dans le réservoir à pierres. 2. Consulter les instructions fournies avec le panneau de commande. 3. Vérifier et remplacer/réinitialiser les fusibles dans le tableau principal. 4. Consulter un électricien agréé pour le dépannage. 5. Consulter un électricien agréé pour le dépannage.
L'éclairage dans le sauna ne s'allume pas lorsqu'il est actionné sur le panneau de commande.	<ol style="list-style-type: none"> 1. L'éclairage est-il raccordé via le poêle ? 2. Défaut interne de la carte PCB du poêle ? 	<ol style="list-style-type: none"> 1. Vérifier avec un électricien agréé qui a effectué l'installation du poêle/de l'éclairage. 2. Consulter un électricien agréé pour le dépannage.
Le poêle ne fonctionne pas, le panneau de commande ne s'allume pas.	<ol style="list-style-type: none"> 1. L'interrupteur principal est hors tension ? 2. Tous les fusibles du poêle sur le tableau électrique principal peuvent avoir sauté ? 3. Mauvais contact dans le câblage entre le poêle et le panneau de commande ? 4. La sortie de 12 VDC spécifique sur l'une des prises modulaires RS485 de la carte PCB du panneau de commande est défectueuse à cause d'un court-circuit ? 5. Transformateur sur la carte PCB dans le poêle défectueux ? 6. Panneau de commande défectueux ? 	<ol style="list-style-type: none"> 1. Mettre le poêle sous tension au moyen de l'interrupteur principal. 2. Vérifier et remplacer/réinitialiser les fusibles dans le tableau principal. 3. Mettre le poêle hors tension au moyen de l'interrupteur principal et connecter chaque câble/paires de câbles au panneau de commande. Mettre de nouveau le poêle sous tension au moyen de l'interrupteur principal. Si cela ne fonctionne pas, contacter un électricien agréé. 4. Un électricien agréé est exigé pour trouver le défaut, la sortie de 12VDC défectueuse est indiquée par une LED éteinte à côté de la sortie RS485. Remarque : si le défaut se trouve dans le câble RJ10 du panneau de commande, ne pas cliquer sur une prise RS485 vacante valide pour éviter de provoquer un défaut dans cette sortie. Le câble RJ10 doit être remplacé/les contacts montés dans le cas d'un défaut. 5. Consulter un électricien agréé pour le dépannage. 6. Consulter un électricien agréé pour le dépannage.
Le fusible ou le disjoncteur dans le panneau de disjoncteurs du bâtiment se déclenche dès que le poêle est allumé.	<ol style="list-style-type: none"> 1. Il y a un court-circuit au niveau de la mise à la terre du poêle. Peut être dû à une résistance de poêle défectueuse ? 2. Éclairage raccordé à et contrôlé via le poêle défectueux ? 3. Le poêle n'a pas été utilisé pendant une longue période, ce qui provoque un défaut d'isolement dans la résistance ? 4. Trop d'eau versée sur le poêle ? 5. Autre défaut interne du poêle ? 	<ol style="list-style-type: none"> 1,2,3,4,5. Ne pas utiliser le poêle, mettre hors tension à l'aide du disjoncteur principal et débrancher les fusibles du poêle sur le tableau électrique principal. Consulter un électricien agréé pour le dépannage.

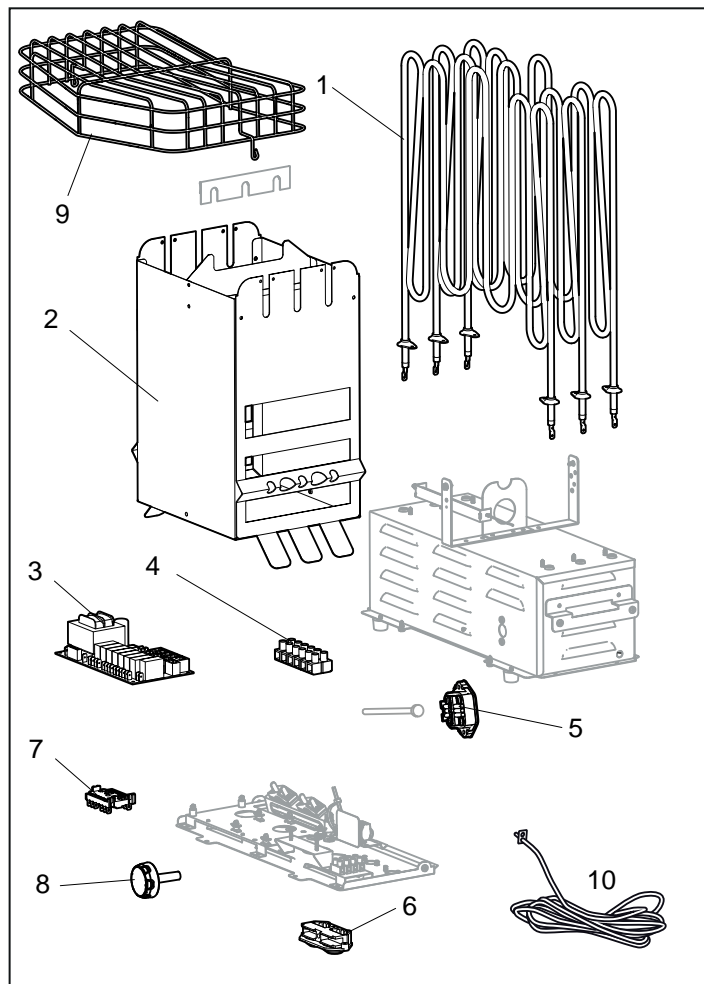


Fig. 7 : Pièces de rechange 1

1.	U8 Pure/Elite Résistances tubulaires	3001-924
	U7 Pure/Elite Résistance tubulaire	3001-920
2.	Réservoir à pierres	n/a
3.	Carte électronique Elite	9600 0068
	Carte électronique Pure	9600 0067
4.	Bornier	9600 0723
5.	Protection thermique du poêle de sauna	3119-607
6.	Connecteur anti-arrachement	9600 0554
7.	Interrupteur M/A	9600 0040
8.	Cadran M/A	9600 0132
9.	Protège-pierres	8019-541
10.	Capteur CTN	9600 0219

ROHS (RESTRICTION OF HAZARDOUS SUBSTANCES)

Instructions relatives à la protection de l'environnement :
Cet appareil ne doit pas être mis au rebut avec des déchets ménagers. Après utilisation, il devra être pris en charge par un site de recyclage des appareils électriques et électroniques.
Le symbole figurant sur le produit, le manuel d'utilisation ou l'emballage font référence à cette obligation.

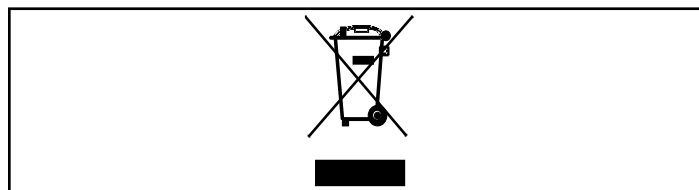


Fig. 8 : Symbole

Conserver la présente notice d'utilisation !
En cas de problèmes éventuels, veuillez vous adresser au point de vente.
© Toute reproduction, intégrale ou partielle, est interdite sans l'autorisation écrite de Tylö. Tylö se réserve le droit de procéder sans préavis à des modifications des matériaux, de la conception et du design.

Les différents matériaux entrant dans sa composition peuvent être recyclés selon le marquage dont ils sont pourvus.
Recycler, réparer ou réutiliser d'une manière quelconque des équipements usagés, c'est contribuer à la protection de notre environnement. L'appareil est à déposer sur le site de recyclage sans pierres et sans le manteau de tuiles éventuel).
Contacter les autorités communales pour connaître le site de recyclage le plus proche.

SCHÉMA DE CÂBLAGE DU POÊLE

