

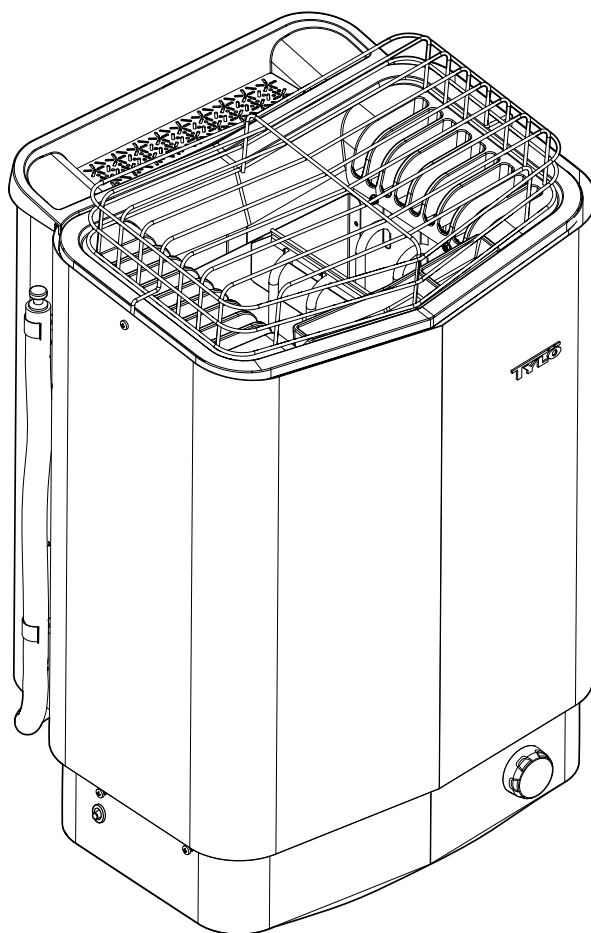
SENSE COMBI USA *Pure/Elite* 2016-10-18

ENGLISH

INSTALLATION / USER GUIDE

FRANÇAIS

NOTICE D'INSTALLATION ET D'UTILISATION



INSTALLATION GUIDE	3
BEFORE INSTALLATION	3
Parts	3
Installation requirements	3
Installation tools	3
Installation planning	3
INSTALLATION	6
Sauna heater installation	6
External ON/OFF switch (option)	8
CONNECTION/WIRING	9
Description of cabling/modular contacts	10
SELF-INSPECTION OF THE INSTALLATION	10
DIMENSIONS	11

USER GUIDE	12
GENERAL INFORMATION	12
PRIOR TO USE	12
The first time you use the heater	12
Prior to each use	12
USE	13
The control panel in general.....	13
Water reservoir.....	13
Other functions.....	13
EXTERNAL ON/OFF SWITCH (OPTION)	14
AFTER USE	14
Empty the reservoir.....	14
Switch off main power switch.....	14
MAINTENANCE	14
Descaling the water reservoir.....	15
Cleaning the fragrance holder/air humidifier and herb bowl.....	15
Check the stone compartment	15
TROUBLESHOOTING	15
Troubleshooting the control panel	15
Troubleshooting the sauna heater.....	16
SPARE PARTS LIST	17
ROHS (RESTRICTION OF HAZARDOUS SUBSTANCES)	17
HEATER WIRING DIAGRAM	18



WARNING!

* **Hyperthermia** occurs when the internal temperature of the body reaches a level several degrees above the normal temperature of 98.6° F. The symptoms of hypothermia include an increase in the internal temperature of the body, dizziness, lethargy, drowsiness and fainting. The effect of hyperthermia include:

- Failure to perceive heat;
 - Failure to recognize the need of exit the room;
 - Unawareness of impending hazard;
 - Fatal damage of pregnant women;
 - Physical inability to exit the room; and
 - Unconsciousness
- Do not take a sauna if using alcohol, drugs or medications.
 - Pregnant women or persons with poor health should consult their physician before using any sauna.
 - Caution fire hazard: Do not use the sauna room for drying clothes, bathing suits, etc. Do not hang towels above heater or place any object other than the rocks supplied on the heater. If any darkening of the wall around the heater is noticed discontinue sauna use immediately.
 - Inspect sauna regularly for required maintenance to heater, control and benches. Replace wood surfaces which show any signs of deterioration.
 - The heater gets extremely hot during operation and should not be touched or burns may result.
 - Minors should be adequately supervised whenever near a hot or warming sauna.
 - Fire sprinkler systems used inside any sauna room should be properly rated for sauna room temperatures.
 - Do not pour chlorinated pool or spa water on heater. Excessive water use on heater may cause damage and void warranty.
 - This appliance is not intended for use by persons (including children) with reduced physical, sensory or mental capabilities, or lack of experience and knowledge, unless they have been given supervision or instruction concerning use of the appliance by a person responsible for their safety. Children should be supervised to ensure that they do not play with the appliance.

- Electric Shock Hazard - High voltage exists within this equipment. There are no user serviceable parts in this equipment. All installation and service to this equipment should be performed by qualified licensed personnel in accordance with local and national codes.
- Do not construct sauna room so as to restrict air flow through the bottom of the heater.
- Packing the rocks too tightly may cause the heater high limit switch to trip.
- Maintain minimum clearance from heater to wooden surfaces (benches, side walls, heater fence etc.). Mounting brackets supplied. Provides proper clearance from wall behind heater.
- Use only copper wire of the size and type indicated in the Heater Specification Chart and the temperature rating indicated on the heater junction box.
- A guardrail or fence is required around the heater to prevent burns from accidental contact.
- All heaters and controls must be grounded per NEC to prevent electrical shock in case of unit failure.
- Electrical outlets or receptacle must not be installed in a sauna room.
- Do not locate benches over heater.
- For household only.



Keep this user guide!
In the event of any problems, please contact the retailer where you purchased the equipment.

INSTALLATION GUIDE

BEFORE INSTALLATION

Parts

Check that the following parts are included in the packaging:

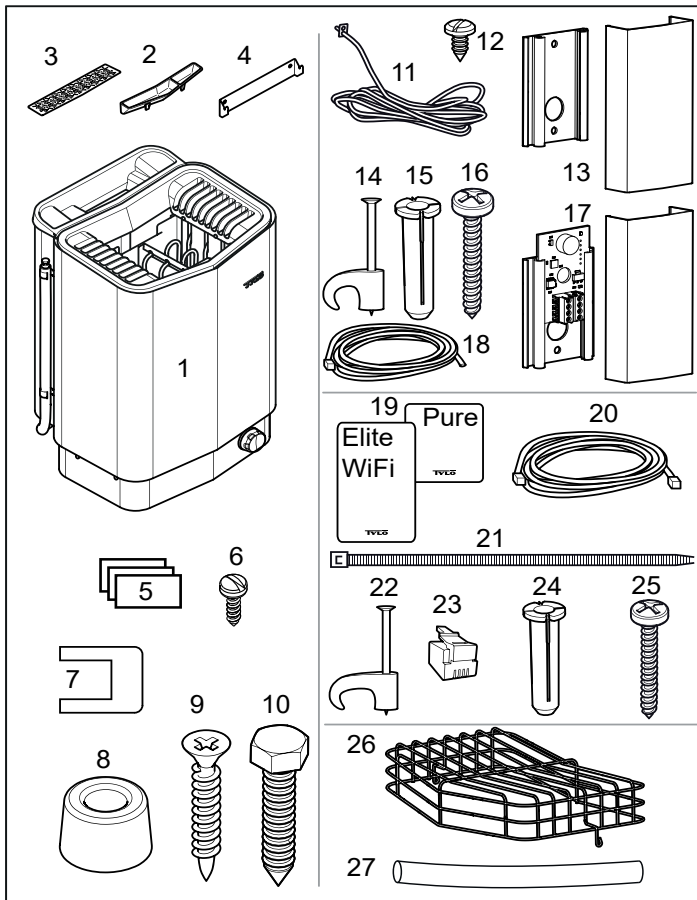


Figure 1: Sauna heater/control panel parts

1. Sauna heater
2. Herb bowl/air humidifier
3. Herb bowl
4. Brackets
5. Warning and Caution plates for the room in multiple languages
6. Screws B 4 x 6.5 x 6 for Warning and Caution plates
7. Connectors x 3
8. Spacers x 4
9. Screws x 4
10. Bracket screws x 2
11. NTC-sensor (Combi Pure)
12. Screw B4x6,5 (x 1 Combi Pure) (x 2 Combi Elite)
13. Sensor cover (Combi Pure)
14. Clips TC (3-5) x 10 pieces
15. Plastic plugs 25x5 x 2 pcs
16. Screws B6x25 x 2 pcs
17. Humidity- and temperature sensor with cover (Combi Elite)
18. Cable between heater and humidity- and temperature sensor, RJ10 4P4C, cable length 4 m x 1 pce (Combi Elite)
19. Control panel (Elite Wifi or Pure)
20. Cable between heater and control panel, RJ10 4P4C, cable length 5 m x 1 pce
21. Cable tie
22. Clips C 3x5 x 10 pieces
23. Modular plug 4, 4/4RJ10 x 2
24. Plastic plugs 25x5 x 3 pcs
25. Screws B6x25 x 3 pcs
26. Rock guard
27. Protection hose Ø14x150 mm x 3 pcs, for RJ10 cables (sensor, control panel, door switch)

Contact your dealer if anything is missing.

Control panel Pure is supplied with Sense Combi Pure.
Control panel Elite WiFi is supplied with Sense Combi Elite.
See separate guides.

Installation requirements

To ensure safe use of the heater, check that the following criteria are met:

- Electrical wiring should be installed in accordance with NEC and all state and local codes.
- Fuse size (A) and power cable size (AWG) must be suitable for the heater (see The section called Connection/wiring diagram, Page 9).
- The sauna ventilation must comply with the instructions in this manual (see The section called Positioning the inlet vent, Page 5, The section called Positioning the outlet vent, Page 5).
- The position of the sauna heater, control panel, and sensors must comply with the instructions in this manual.
- The heater output (kW) must be suitable for the sauna volume (cu.ft.) (See Table 1, Page 3). The minimum and maximum volumes must not be exceeded.
- NOTE: A GFCI device is not required by ETL. A GFCI may be installed if required by local codes. However, GFCI devices will tend to nuisance trip during use of the product.

Table 1: Voltage and sauna volume

Model	Voltage	Sauna volume min. cu.ft.	Sauna volume max. cu.ft.
Sense Combi-U 7 SCU7	208 V	175	265
	240 V	175	320
Sense Combi-U 8 SCU8	208 V	250	360
	240 V	250	440

Installation tools

The following tools and materials are needed for installation and connection:

- level
- tape measure
- electric drill
- screw drivers

Installation planning

Before starting to install your sauna heater:

- Plan the sauna heater positioning (see the Heater positioning - normal installation section, page 4).
- Plan the control panel positioning (see the attached instructions for the control panel for allowable positioning).
- Plan the sensor positioning (see Figure 3, page 4).
- Position the air intake vent (see the Air intake vent positioning section, page 5).
- Position the air exhaust vent (see the Air exhaust vent positioning section, page 5).
- Plan the electrical installation (see the Connection/wiring diagram section, page 9).

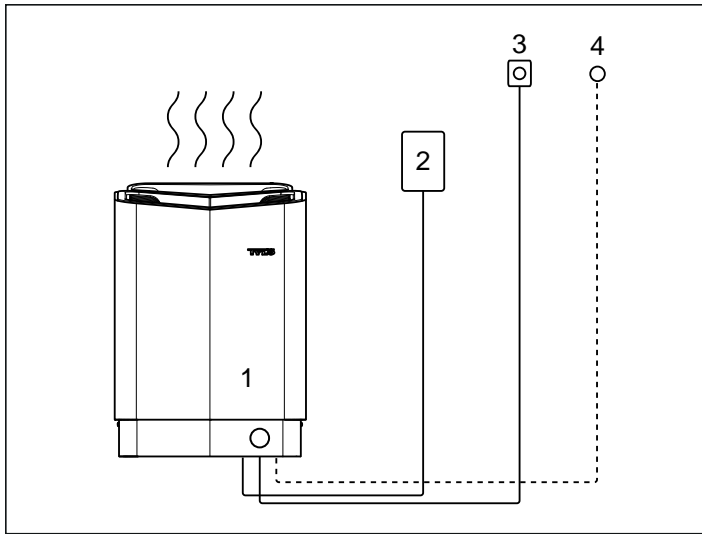


Figure 2: Schematic diagram of installation

1. Sauna heater
2. Control panel
3. Sensor
4. External on/off switch (option, door contact needed for function)

! DANGER! No more than one heater may be installed in the same sauna cabin.

Positioning the control panel

The control panel can be installed inside or outside of the sauna room.

The control panel must be correctly positioned with regard to safety distances below when installed inside the sauna room

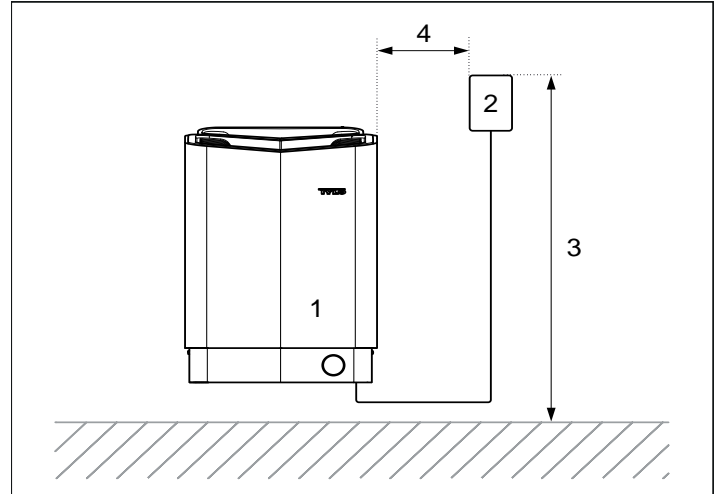


Figure 4: Safety distance, control panel

1. Heater
2. Control panel
3. Max. 36 in
4. Min. 12 in

Positioning the heater - normal installation

Position the sauna heater:

- on the same wall as the door (or the side wall if very close to the door wall).
- Position the heater at a safe distance from the floor, side walls and interior fittings (see Figure 3).

Position the sensor according to the picture (see Figure 3).

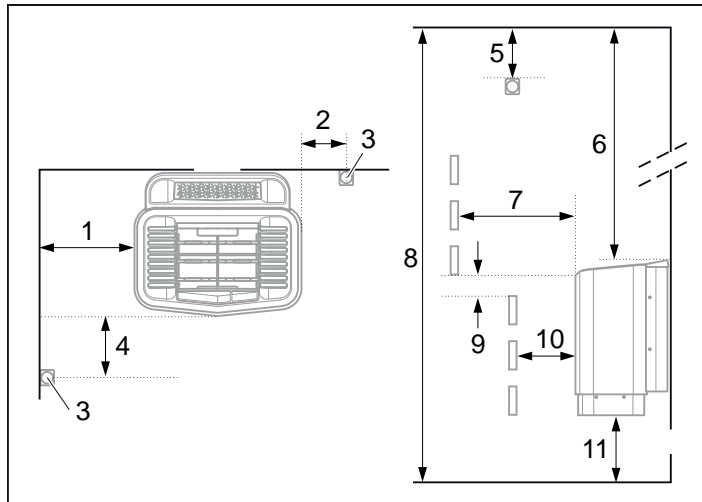


Figure 3: Positioning the heater - normal installation

1. Minimum distance from side wall: 4 in
2. Sensor position alt 1: 3 in from heater
3. Sensor
4. Sensor position alt 2: 3 in from heater front
5. Sensor position: 1 in from ceiling
6. Minimum distance from ceiling: 44 in
7. Minimum distance from interior fittings: 4 in
8. Minimum ceiling height: 75 in
9. Minimum distance: 1 in
10. Minimum distance from interior fittings: 2 in
11. Distance from floor: 7 in

! WARNING
REDUCE THE RISK OF OVERHEATING
 * Exit immediately if uncomfortable, dizzy, or sleepy. Staying too long in a sauna is capable of causing overheating.
 * Supervise children at all times.
 * Check with a doctor before use if pregnant, in poor health, or under medical care.
 * Breathing heated air in conjunction with consumption of alcohol, drugs, or medication is capable of causing unconsciousness.

! CAUTION
REDUCE THE RISK OF FIRE
 Do Not Place Combustible Material On The Heater At Any Time.

Figure 5: Warning/Caution plate

Sauna room ventilation

In a sauna, the air should be changed about 6 times an hour. See Figure 6.

It is recommended that ventilation openings meet the requirements of UL Specification 875. The minimum opening should be determined using one of the following formulas:

$$\text{For } R < 31, \quad V \geq 9.3$$

$$\text{For } R \geq 31, \quad V \geq 0.3 \cdot R$$

where R = the floor area of the room in square feet and
 V = the minimum vent size in square inches

Example Venting Calculation:

Room is 54 sq.ft. (9 ft. by 6 ft.) 54 is larger than 31.

Multiple $54 \times 0.3 = 16.2$ sq. in.

Vent size opening should be 4 in x 4 in.

Positioning the inlet vent

Install the inlet vent straight through the wall under the centerline of the heater.

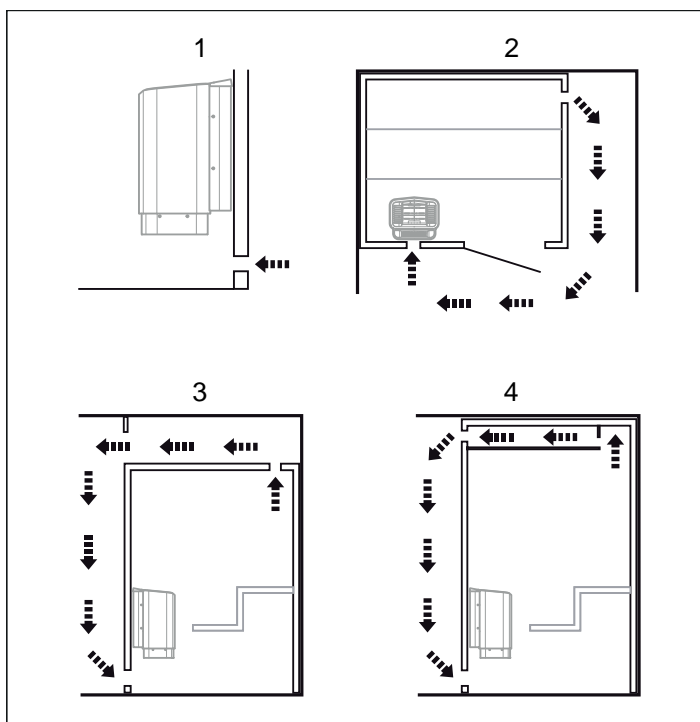


Figure 6: Positioning the air intake and exhaust vents

1. Inlet vent position.
2. Outlet vent position through the sauna wall.
3. Outlet vent position through the cavity.
4. Outlet vent position via duct.

Positioning the outlet vent

Position the outlet vent

- at the maximum possible distance from the air intake vent, e.g. diagonally (see Figure 6).
- high on the wall or in the ceiling (see Figure 6).
- so that it vents into the space that the door and air intake vent open into.

The outlet vent must have the same area as the inlet vent. Ensure that the outlet vent is open.

Mechanical ventilation is not recommended due to the risk of poor air exchange, which can negatively affect the heater temperature cut-out.

Removing the Rock Guard

Unscrew the two screws on the side of the heater and lift the rock guard upwards, see Figure 7. (This is necessary when filling the stone compartment or cleaning the fragrance holder and air humidifier).

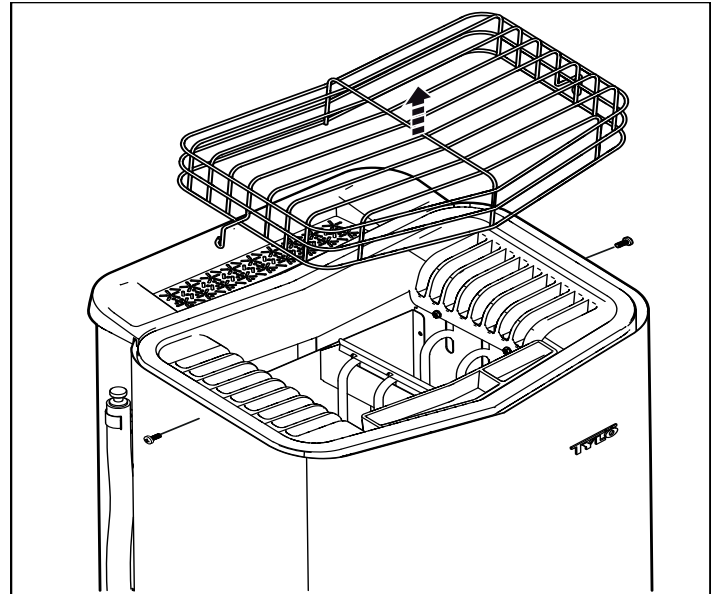


Figure 7: Removing the Rock Guard

Room construction

For safety and reliability, the following rules must be addressed.

- The enclosed WARNING: Reduce the risk of overheating ... warning plate must be mounted on or alongside the door outside the sauna room at about eye level. Use the supplied screws.
- The enclosed CAUTION: Reduce the risk of fire ... caution plate must be mounted on the interior wall above the heater. Use the supplied screws.
- No permanent locking or latch system is to be used on the sauna door.
- Acceptable door fittings are: magnetic catches, friction catches, spring or gravity loaded closures. The door must always open outwards.
- No shower may be installed in a sauna room.
- No electrical receptacle shall be installed inside the sauna room.
- The heater should not be operated without its container properly filled with rocks and the rock guard in place.
- If an intercom speaker is installed, it should be away from the heater and as close to the floor as possible.
- If a room light is installed, it should be a surface mounted bracket type. Wall mounted lights should be about 70" above the floor. Ceiling mounted lights should be of an approved type with a junction box that is remote to the fixture itself. Use only a fixture that uses A.F. or fixture type internal wiring. A 60 watt bulb should provide sufficient lighting.
- Fire sprinkler systems installed inside any sauna room should be properly rated for sauna room temperatures.
- Always mount the heater according to these installation instructions.

Typical wall construction

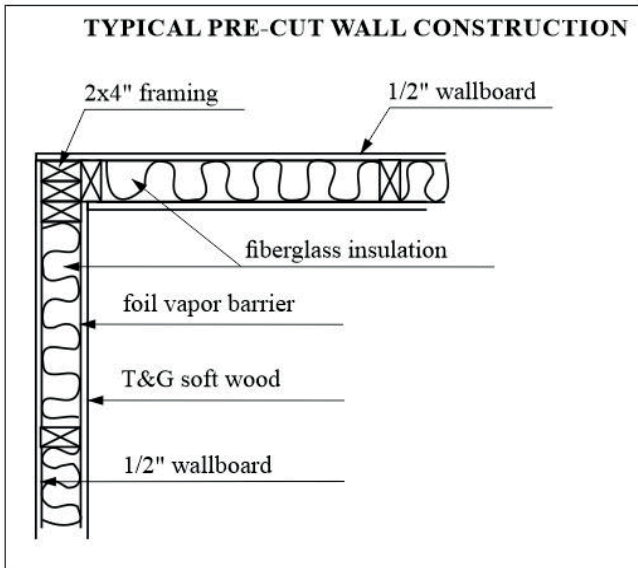


Figure 8: Typical wall construction

INSTALLATION

Sauna heater installation

1. Attach the bracket and spacers to the wall following the specified dimensioning (see Figure 9). -

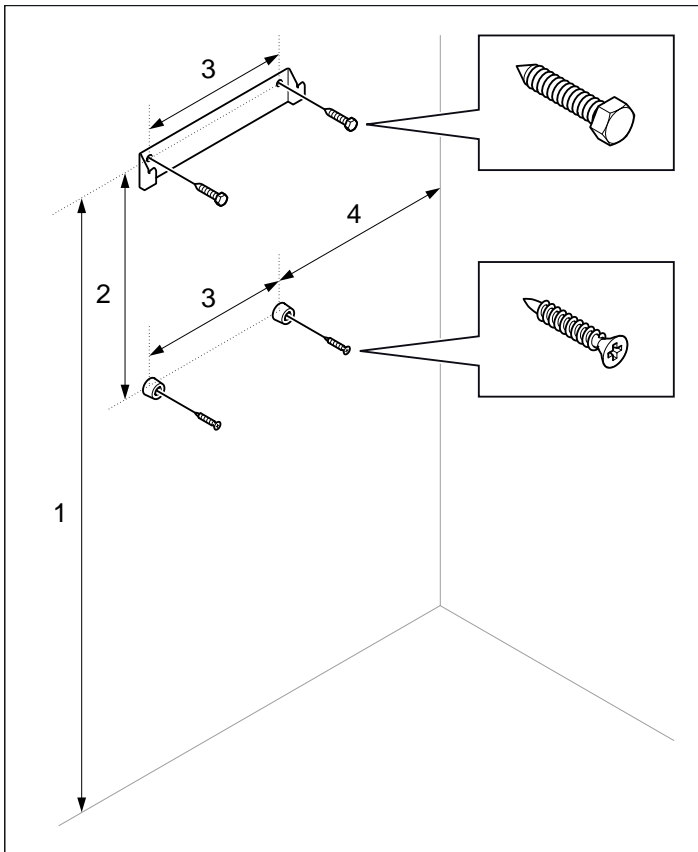


Figure 9: Bracket with screws and spacers

1. 26.3 in
2. 11.0 in
3. 7.3 in
4. 9.0 in (minimum distance)

It is easiest to prepare for installation with the heater lying down. To install the heater:

2. Remove the cover to the water reservoir and lay the heater down with the front facing upwards (see Figure 10).
3. Undo the screws and open the cover (see Figure 10).



WARNING! Always check that the heater is connected to the correct main/phase voltage!

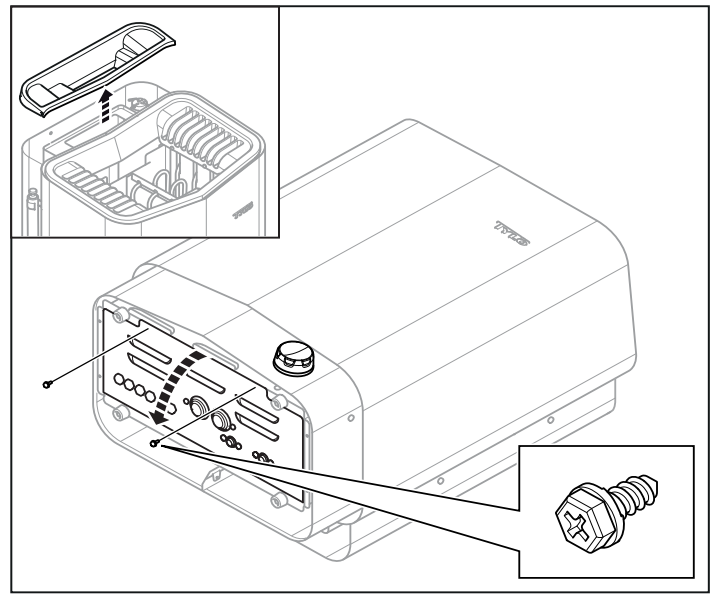


Figure 10: Opening/closing the cover

Connect the heater using standard wiring (Fk or EKK) approved for fixed installation.

Any single wires (Fk) must be protected in electrical conduits (VP) to the heater.

4. Connect the main supply electrical cable (1) to the terminal (2) (see Figure 11) according to the wiring diagram (see the Connection/wiring diagram section, page 9).

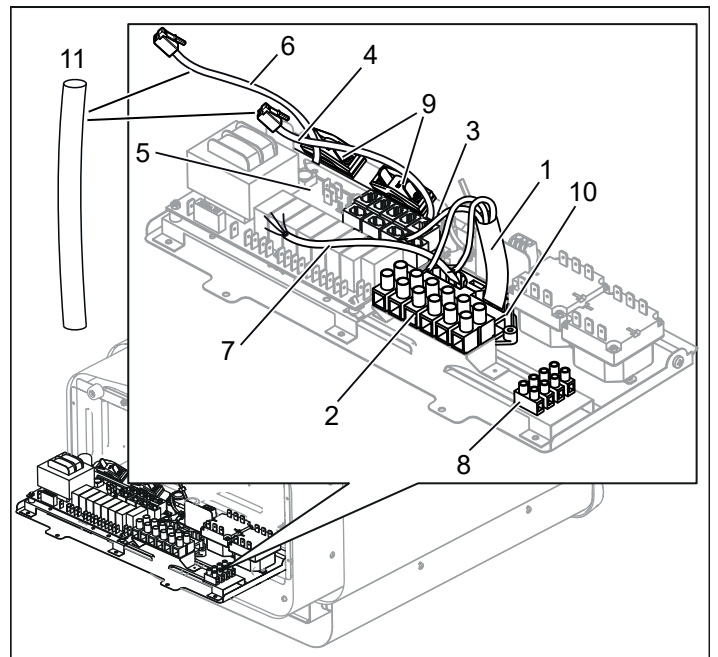


Figure 11: Circuit board

- | | |
|--|--|
| 1. Electrical cable | 7. Light cable (if connected) |
| 2. Terminal for connection of electrical cable | 8. Terminal for connection of light (if connected) |
| 3. Cable grommet (x6) | 9. Strain relief connector for cables to modular contacts (x2) |
| 4. Control panel cable | 10. Strain relief connector for electrical cable |
| 5. Modular contacts for connection of control panel, sensor etc. | 11. Protection hose for RJ10 cables |
| 6. Sensor cable | |
5. Run the cables for the control panel and the temperature sensor through the cable grommets (3). Connect the control panel cable (4) to one of the four RS485 contacts (positions 6-9) (see Figure 11) according to the wiring diagram (see the Connection/wiring diagram section, page 9 fig.19).
 6. Connect the humidity- and temperature sensors cable (6) to one of the four RS485 contacts (positions 6-9) (5) according to the wiring diagram (see the Connection/wiring diagram section, page 9 fig. 19).

7. Connect the light cable (if relevant) (7), see Figure 11, to the terminal (8) according to the wiring diagram Figure 19.
8. Close the cover and tighten the screws (see Figure 10).
9. Hang the heater on the bracket (see Figure 12).

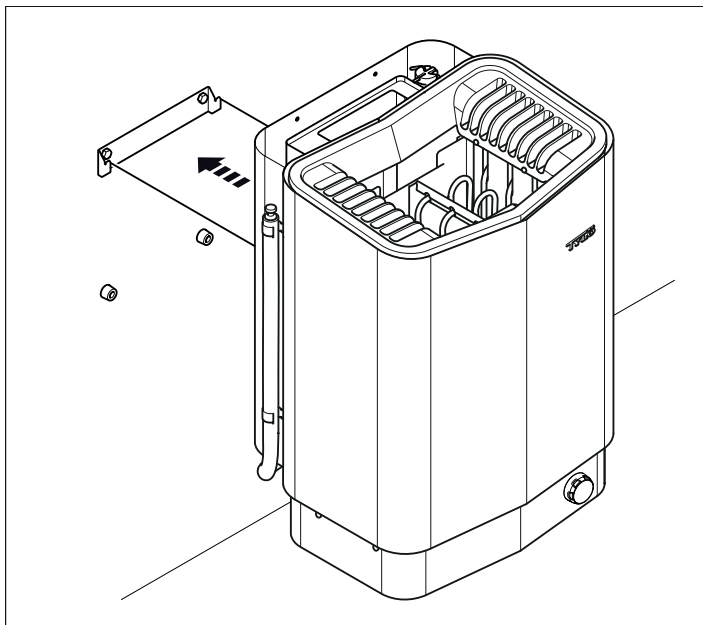


Figure 12: Hang the heater up.

10. Fit the spacers between heater and wall (to prevent the heater from being lifted off) (see Figure 13).

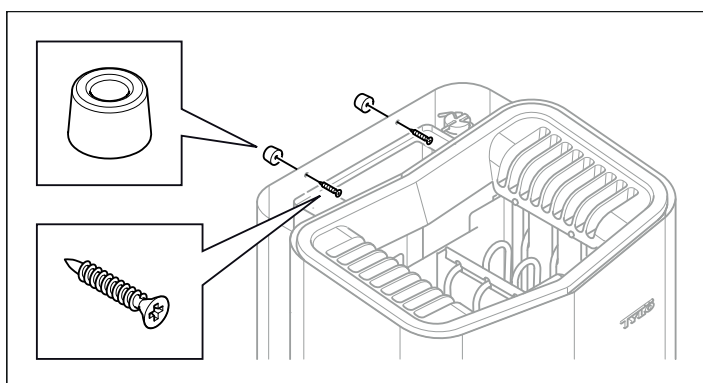


Fig 13: Fit spacers

11. Fit the cover for the water reservoir, herb grille and fragrance holder/air humidifier (see Figure 14).

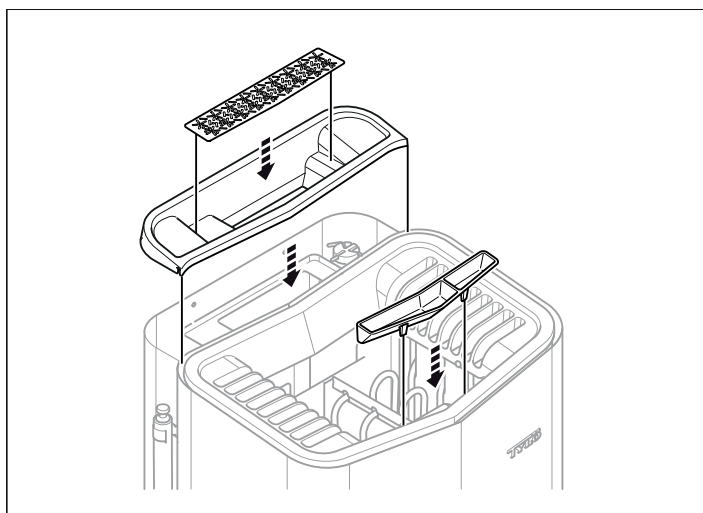


Fig 14: Fitting the cover for the water reservoir, herb grille and fragrance holder/air humidifier

12. Install the sensor on the wall see Fig 15 and 16. The thermistor wire may also be passed through the wall see Fig 17 and 18. Seal any holes in the wall behind the sensor. The thermistor wire may be extended outside the sauna using low voltage wire (2-lead).

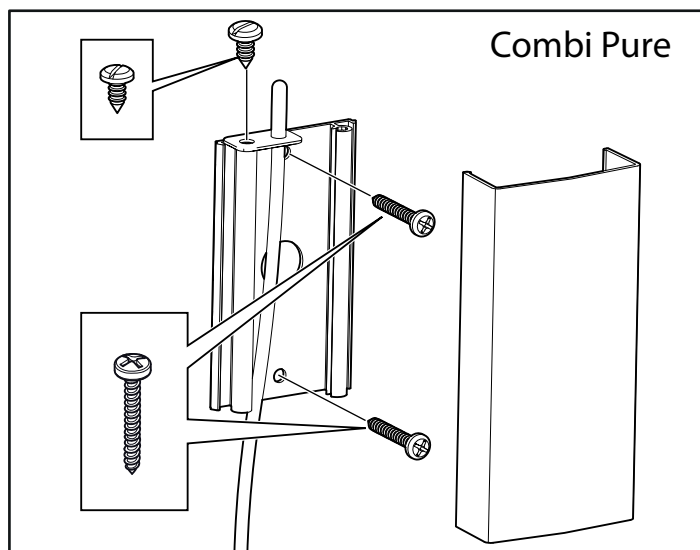


Fig 15: Installing the sensor - Combi Pure.

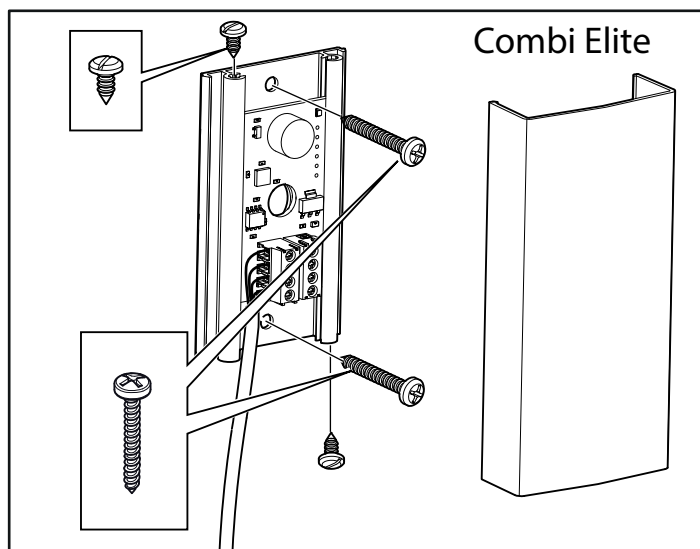


Fig 16: Installing the humidity- and temperature sensor - Combi Elite. The cable inside the sauna must be heat resistant.

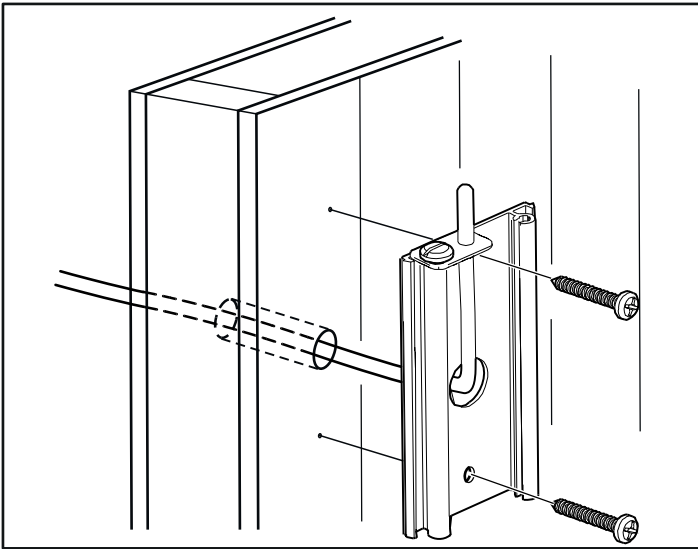


Fig 17: Wiring through the wall - Combi Pure.

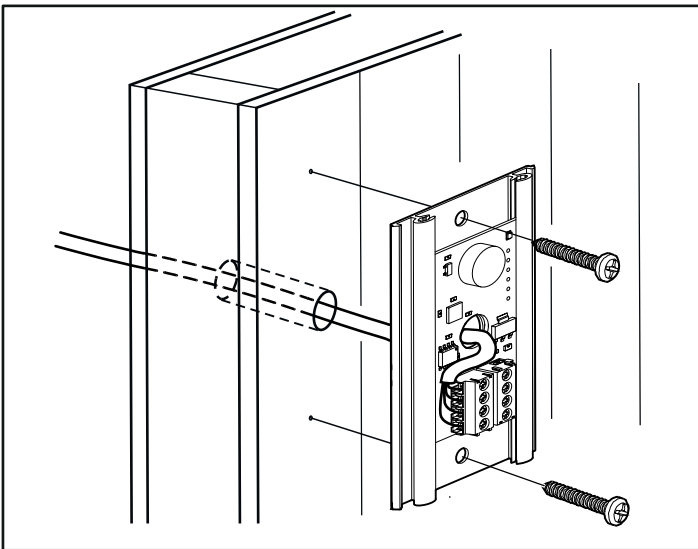


Fig 18: Wiring through the wall - Combi Elite.

Unusual voltages/numbers of phases

Contact Tylö Customer Service before connecting to voltages or numbers of phases that are not listed in the wiring diagram Figure 19.

External ON/OFF switch (option)

The external ON/OFF switch can be positioned anywhere outside the sauna, not to exceed 75 feet from the heater, to avoid voltage loss in the cable. Voltage loss affects the LED indicator for heater status (if built-in and connected to the switch).

For further information, see instructions supplied with the control panel.

CONNECTION/WIRING DIAGRAM

TAB	208 V 1 Phase			240 V 1 Phase		
Model	Amperage Amps	Output kW	Wire Size AWG	Amperage Amps	Output kW	Wire Size AWG
Sense Combi-U 7	26	5,3	10	30	7,0	8
Sense Combi-U 8	30	6,3	8	35	8,3	8

Note: Heating elements do not change for voltage changes. The heater output will be changed based on the voltage applied to heater.

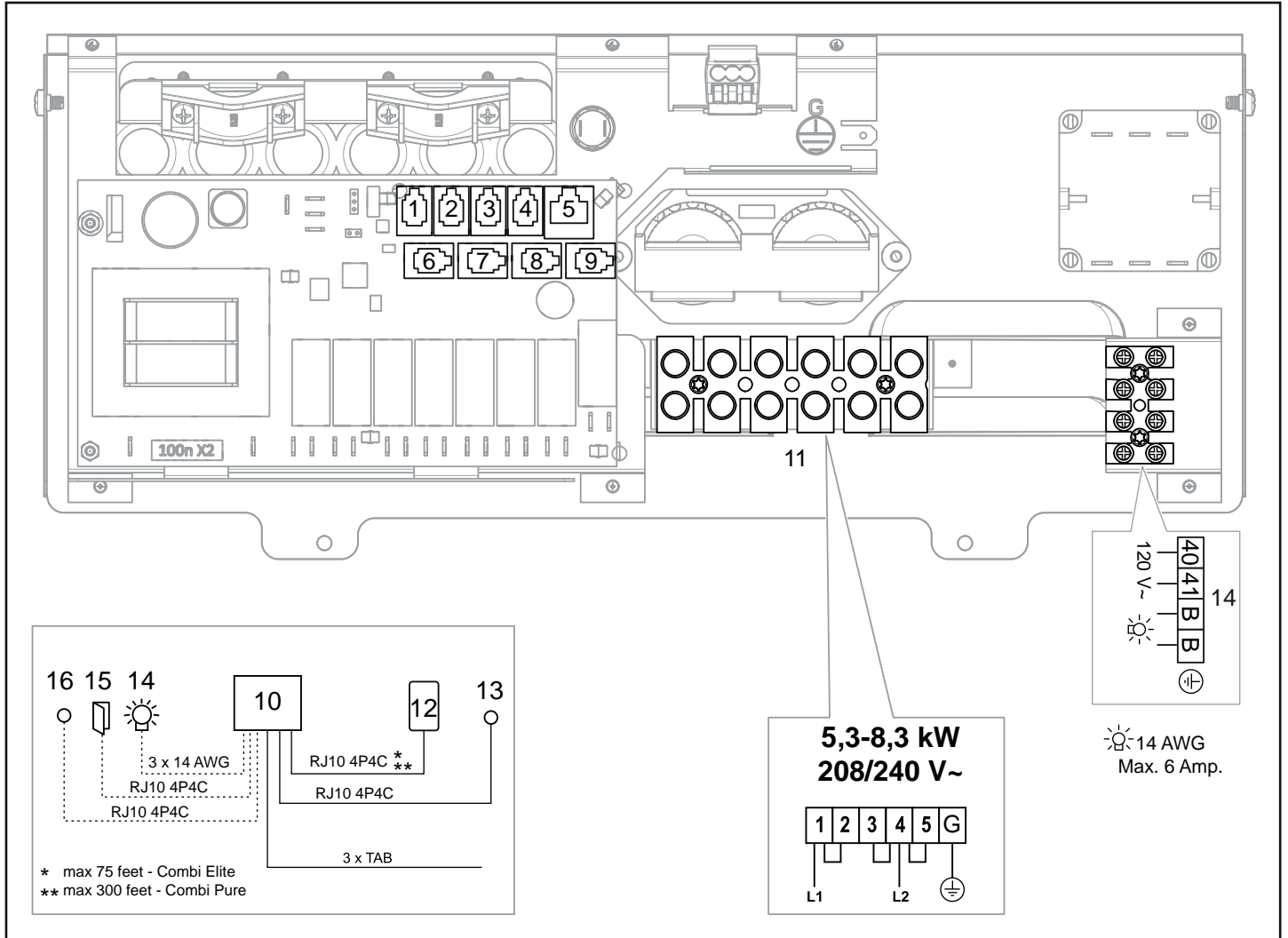


Figure 19: Wiring diagram

- 1. NTC Sensor - *Combi Pure*.
- 2. Ext switch (External switch Optional)
- 3. N/A
- 4. N/A
- 5. N/A
- 6. Sensor (humidity- and temperature) - *Combi Elite*.
- 7. N/A
- 8. N/A
- 9. Controls panels (*Pure or Elite*).
- 10. Heater
- 11. Terminal for connection of electrical cable
- 12. Control panel (connect to positions 6-9)
- 13. Sensor - *Combi Pure* (connect to NTC position 1)
- 13. Humidity- and temperature sensor - *Combi Elite* (connect to positions 6-9)
- 14. Light/terminal for connection of light
- 15. Door contact (option)
- 16. External switch (option)

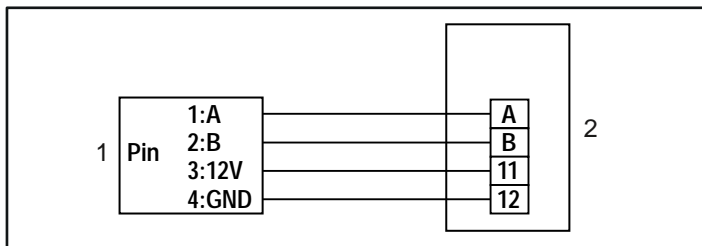


Fig 20a: Connecting the humidity- and temperature sensor - *Combi Elite*

- 1. Modular plug (RJ10, see Fig 19)
- 2. Humidity- and temperature sensor

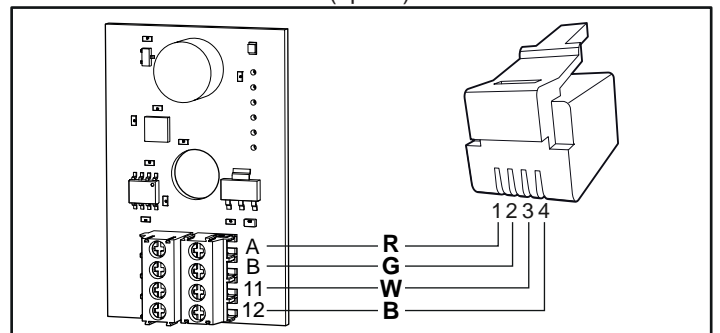


Fig 20b: Connecting the humidity- and temperature sensor - *Combi Elite*

R=Red, G=Green, W=White, B=Black

Description of cabling/modular contacts

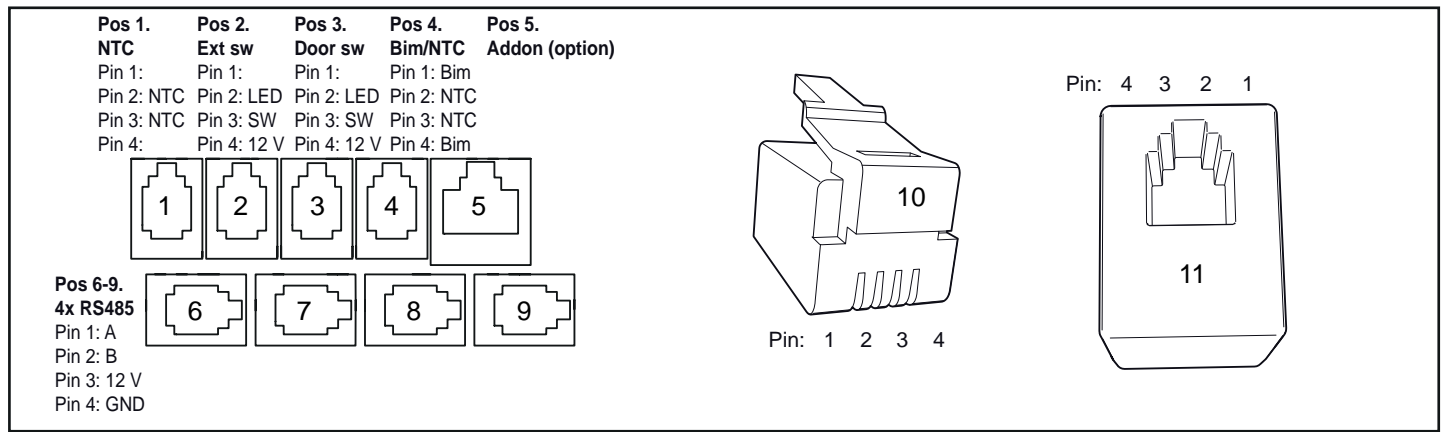


Figure 21: Modular contacts, description (Pos 1-4 and 6-9: RJ10, Pos 5: RJ45)

1. NTC Sensor - *Combi Pure*.
2. Ext switch (External switch Optional)
3. N/A
4. N/A
5. N/A
6. Sensor (humidity- and temperature) - *Combi Elite*.
7. N/A
8. N/A
9. Controls panels (*Pure or Elite*).
10. Modular plug (RJ10)
11. Modular contact (RJ10)

Table 3: Connecting components in modular contacts (maximum cable area for RJ10: 0.90 mm/0.20 mm², AWG24)

Connection of	Pos	Pin	Comment
Combi Pure Temp. sensor (10kohm)	1	2-3	Must be NTC model.
External switch with no wire indicator	2	3-4	Both constant or impulse deactivation works.
External switch with wire indication	2	2-3-4	12VDC (max. 40mA).



NOTE! Crimp pliers are needed if changing modular cabling, e.g. shortening wires.

SELF-INSPECTION OF THE INSTALLATION

To check the installation:

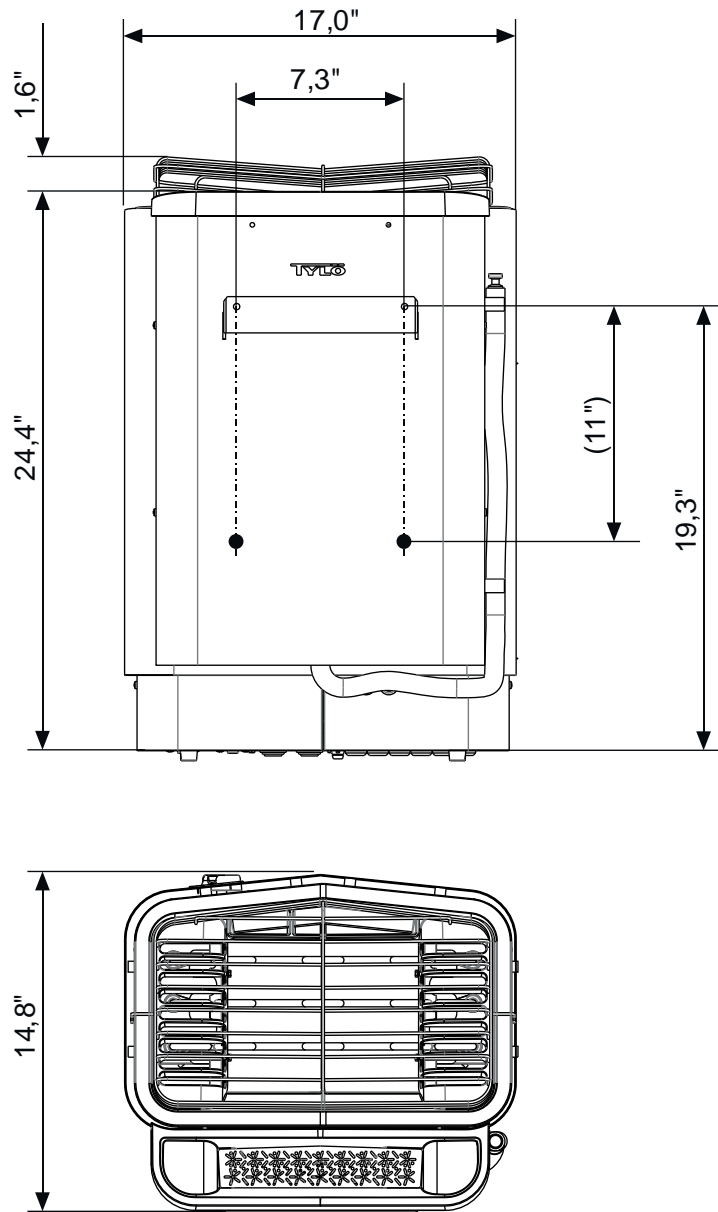
1. Turn power on at the Circuit Breaker Box.
2. Check that the control panel lights up.
3. Start the heater (see User Guide).
4. Check that all three tubular elements start to heat up (go red).

Please keep these instructions!

In the event of problems, please contact the retailer where you purchased the equipment.

© This publication may not be reproduced, in part or in whole, without the written permission of Tylö. Tylö reserves the right to make changes to materials, construction and design.

DIMENSIONS



GENERAL INFORMATION


Congratulations on your new sauna heater! Follow this user guide to get the most from your purchase.

Wet and dry saunas are forms of bathing which originate way back in history. A hot sauna is best enjoyed at temperatures between 145-190°F.

PRIOR TO USE

The first time you use the heater


Fill the stone compartment

 **NB: Always use dolerite stones (Manufacture's Stones)! "Ordinary" stones may damage the heater. Do not use ceramic stones. Ceramic stones may damage the heater. The heater guarantee does not cover damage caused by ceramic stones.**

Fill the stone compartment around the heating elements from the bottom to the top, to approx. 2" above the top front edge. Do not press the stones into place. Capacity: Approx. 35 lb of stones. Place the stones loosely to allow optimum air circulation. The tubular heating elements must not be squeezed together or against the side.

Sauna stones must:

- tolerate extreme heat and fluctuations caused by water being poured on them.
- be cleaned before use.
- must have an uneven surface, so that the water "clings" to the stone surface and evaporates efficiently.
- be between 1-1/2" to 2" in size to allow air circulation in the stone compartment. This will increase the life of the tubular elements.

 **NB: Never place stones on top of the side air chambers. This way will obstruct air circulation, causing the unit to overheat and the cut-out switch to activate.**

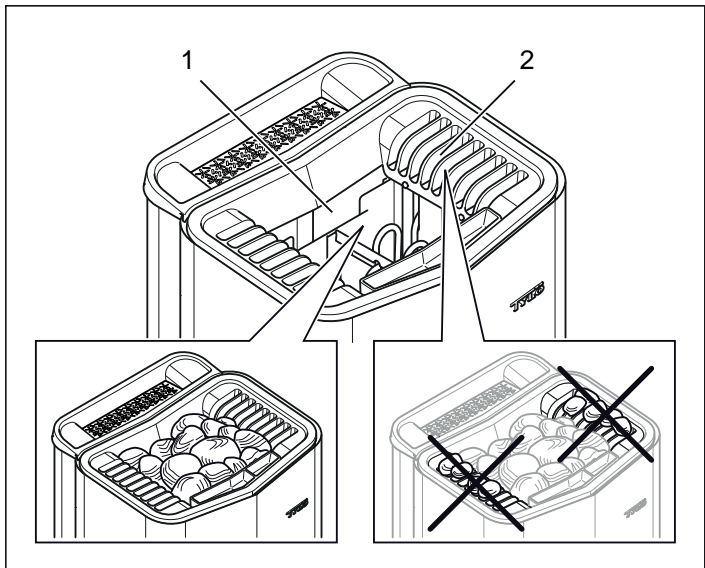


Figure 1: Filling the stone compartment

1. Stone compartment
2. Side chambers

Turn on the heater to remove any new paint odors
To remove "new paint odor" from the heater:
Heat the sauna heater for about one hour. The water reservoir does not need to be working.
A little smoke may appear.

Default settings

Using the control panel for the first time:
See instructions supplied with the control panel.


Prior to each use


Check the following

Check that:

- there are no foreign objects in the sauna cabin, on or in the heater.
- the door and any windows to the sauna cabin are closed.
- that the sauna door opens outwards with a little pressure.

NB:

 **DANGER! Fragrant essences and similar products may ignite, if poured directly onto the stones.**

 **NOTE! Do not use the sauna cabin for any purpose other than taking saunas.**

Turn on the main power switch

The main power switch is at the bottom of the heater.
Switch it on, if it is not already switched on (see Figure 2).

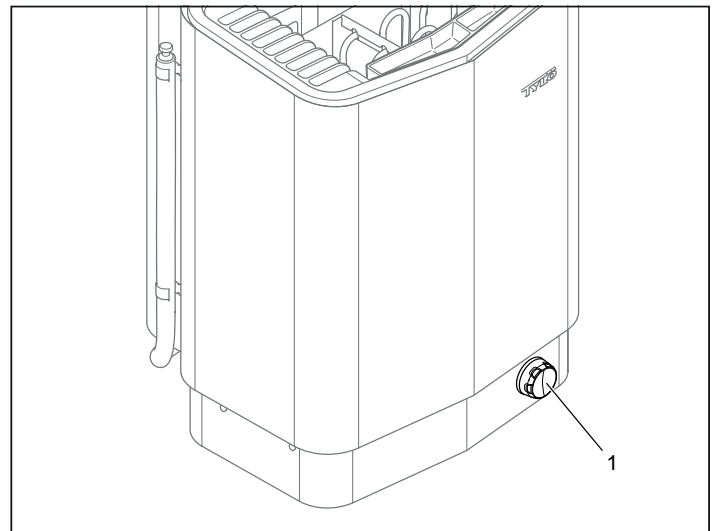


Figure 2: Positioning of the main power switch

1. Main power switch

USE

The control panel in general

See instructions supplied with the control panel.

Water reservoir

The sauna heater works with and without water in the tank. When the water reservoir is in use, max. two out of three heater elements in the stone compartment will be working. The heater switches automatically between the reservoir and stone compartment, depending on which setting has been set on the control panel. See the instructions supplied with the control panel.

Filling the water reservoir:

Before starting the heater, fill the water reservoir by carefully pouring tap water through the herb grille, see fig. 3.

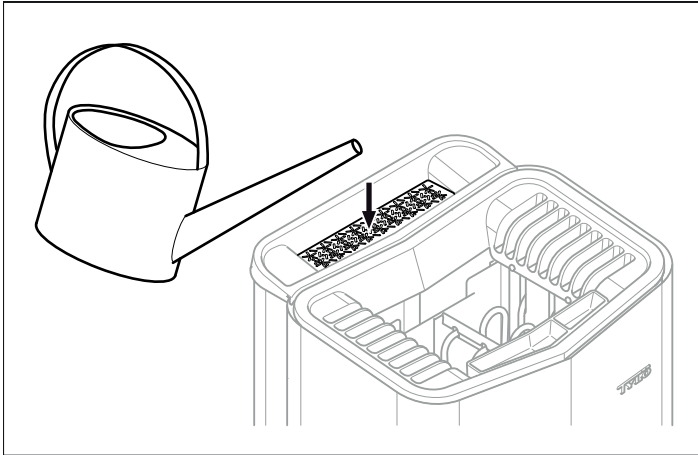


Figure 3: Filling the water reservoir.



Note! Never use salt water - can damage the heater element in the reservoir. It can also cause a build up of foam which causes the level sensor to detect a higher water level than actual, and the heater elements can break.

1. An empty reservoir is shown by two empty drop symbols on the Elite control panel display (Pure control panel shows a flashing drop symbol when the heater is operating). If the reservoir is empty when activating the main switch, three pulsing audio signals will sound

2. When the water level reaches the safety sensor, a filled drop symbols will shown on the Elite control panel display (Pure control panel shows an unlit drop symbol). The heater element in the reservoir can be started.

3. When the water level reaches the upper level sensor, two filled-in drop symbols will show on the Elite control panel display (Pure control panel shows unlit water drop). A continuous audio signal will also sound for approx.: 2 secs, indicating that the water level in the tank is full (in case you do not check the control panel display during filling).



Note! Do not add more water after the audio signal to avoid the water boiling over and out of the reservoir.

Water reservoir in operation:

1. When in use and if the water level drops below the upper level sensor, it will continue to operate as normal but a single filled-in drop symbol will show on the Elite control panel display (Pure control panel shows unlit water drop). Water can be added, and a steady audio signal will sound when the water level reaches full.

2. When in use and if the water level drops below the safety sensor, three pulsing audio signals will sound and two empty drop symbols will show on the Elite control panel display (Pure control panel shows a flashing water drop when the heater is operating). This indicates that there is insufficient water in the reservoir, and the heater element will automatically switch off.

Other functions

Fragrance holder



DANGER! Never put fragrances in the herb bowl or water reservoir.



DANGER! Fragrant essences etc. may ignite if poured directly onto the stones.

To create a pleasant fragrance in the sauna, pour a few drops of Tylo Sauna Fragrance into the water in the fragrance holder. You can also mix a few drops of the sauna fragrance with water in a sauna bucket and pour the water on fully heated stones. Use a sauna ladle for pouring water on the hot stones. Pour max. 1-2 ladles of water at a time, and then wait until the stones have regained sufficient heat before pouring fresh water on the stones again.

Tylo Sauna Fragrance comes in different variants and fragrances.

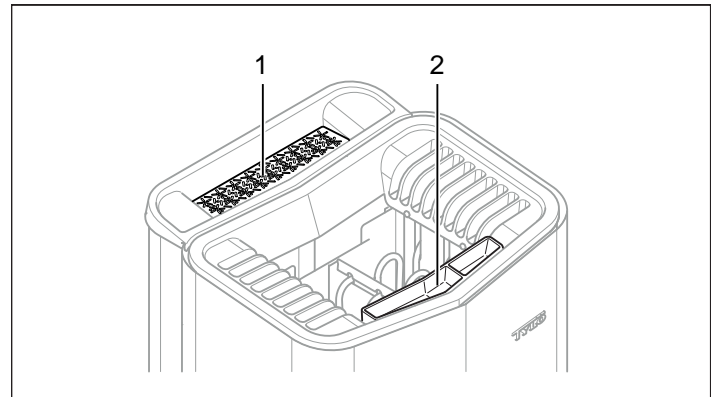


Figure 4: Other functions

1. Herb bowl
2. Fragrance holder/air humidifier

Herb bowl

A fragrant, refreshing herbal sauna can be created with fresh or dried herbs or spices. Enjoy pleasant herbal fragrances in a steamy tropical climate.

To create a fragrant sauna using fresh or dried herbs, put the herbs in the herb bowl (see Figure 4).



TIP! Try different combinations, such as birch, lavender, mint, spices, tea bags and other exciting fragrances.

Air humidifier



WARNING! Do not confuse the instructions for the air humidifier with those for the water reservoir.



DANGER! Do not pour water into the fragrance holder once it has been heated up, as this can cause boiling water to splash on the sauna occupants. Do not stand or sit in front of the heater while water is being poured into the fragrance holder, as hot water can spray out suddenly.

To maintain a comfortable basic level of humidity in the sauna, fill the built-in air humidifier (see Fig. 4) with water before switching on the sauna.



Tip: Pour a few drops of diluted sauna fragrance into the built-in air humidifier.

EXTERNAL ON/OFF SWITCH (OPTION)

External ON/OFF switch can be installed anywhere outside the sauna. The switch is momentary pulse or constant activation. The heater circuit automatically recognises which is used. Heater status and faults on the door contact can be seen if the switch has a built-in LED.

See instructions supplied with the control panel.

AFTER USE

Empty the reservoir



DANGER! Hot water! Wait until the water has cooled before completing this step.

To prevent the build-up of limescale and higher salt/mineral levels, empty the reservoir after each bath. If this is not done and water is added each time you take a sauna, foam build-up can occur which can cause the level sensor to detect a higher water level than actual, with a risk that the heater element will break.

To empty:

1. Release the hose from the hose clip.
2. Hold the hose up and remove the plug.
3. Lower the hose into a suitable container and drain off the remaining water.
4. Hang the hose on the hose clip.

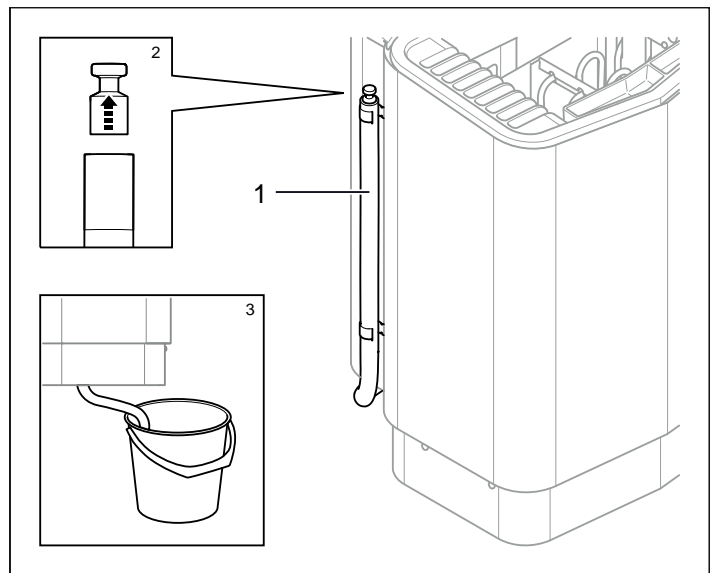


Figure 5: Emptying the water reservoir.

1. Water reservoir hose.
2. Remove plug
3. Lower hose into a suitable container

Switch off main power switch



CAUTION! The heater's memory function will be cancelled if disconnected from the mains for more than 7 days. The date and time will have to be reprogrammed.

The main power switch is at the bottom of the heater.

Switch off here when the heater is not to be used for an extended period (e.g. several weeks).

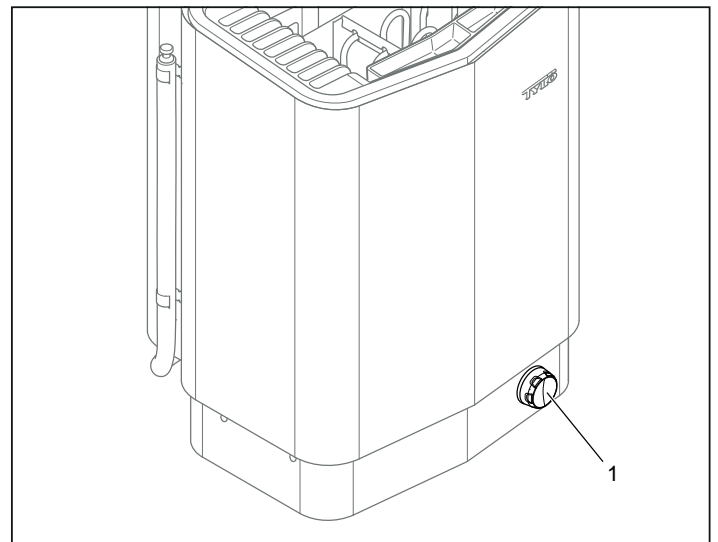


Figure 6: Location of main power switch

MAINTENANCE

After each use	As required	Once annually
Empty the water reservoir.	Descale the water reservoir.	Check the stone compartment.
	Clean the herb bowl and fragrance holder.	
	Clean the electrodes using a cloth or similar. See fig. 7.	

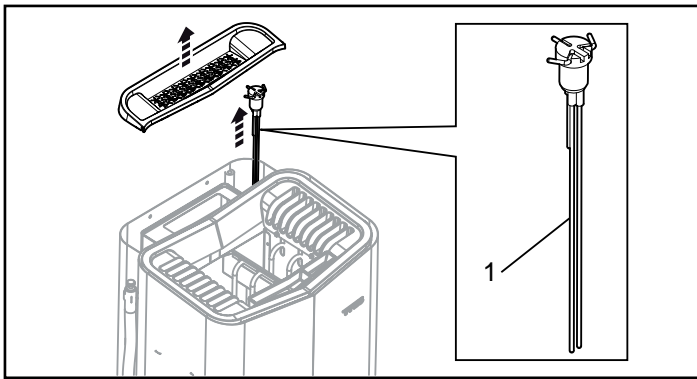


Figure 7: Cleaning the electrodes

1. Electrodes

Descaling the water reservoir

Descal the water reservoir as required using Tylö descaling agent.

How to descale:

1. Remove the herb grille from the herb bowl.
2. Start the steam function (see The section called Use, Page 13) and run until the water boils.
3. Switch off the heater, and wait for about 5 minutes.
4. Mix 2 cups of descaling agent and pour into the water inlet.
5. Leave the descaling agent to work for 1 hour, empty the reservoir and rinse thoroughly.
6. If necessary, repeat the procedure several times until all lime-scale has been removed.

Cleaning the fragrance holder/air humidifier and herb bowl

Clean the fragrance holder/air humidifier and herb bowl as required.

To clean the fragrance holder/air humidifier and herb bowl:

Lift out the fragrance holder/air humidifier and herb bowl and rinse them under running water.

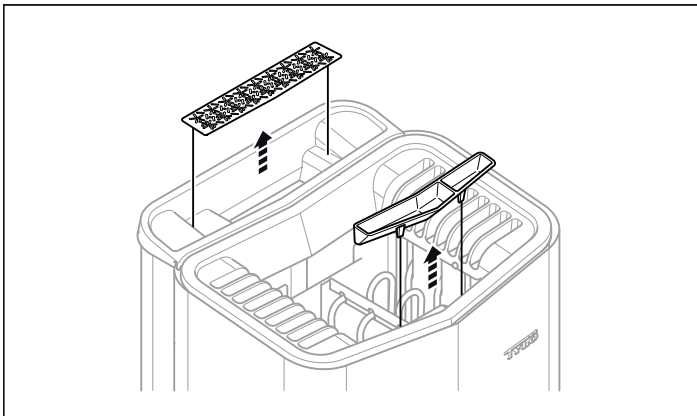


Figure 8: Cleaning the fragrance holder/air humidifier and herb bowl

Check the stone compartment

Check the stone compartment at least once annually or as many times per year as the heater is used per week.

Example: If the unit is used 3 times a week, check the stone compartment 3 times per year.

How to check the stone compartment:

1. Remove all stones from the compartment.
2. Remove any small stones, gravel and lime-scale from the compartment.
3. Put whole, undamaged stones back. Replace damaged stones with new ones as required (see Filling the stone compartment, page 13).



WARNING! If the stone compartment fills up with gravel and small stones, the tubular element can be damaged as a result of overheating, as air flow will be insufficient.

TROUBLESHOOTING

Temperature Safety Switches

The heater's temperature protection devices:

- **PCA** - The temperature safety on the PCA in the heater is designed to prevent components being damaged by overheating. If the safety switch is triggered, an error code shows on the control panel display.
If the overheating switch has activated, the heater cannot be started again until the temperature has dropped down 68 degrees (°F) on the PCA.
- **Water reservoir** - The temperature safety switch in the reservoir is designed to protect the heater element from boiling dry. There is a red reset button under the heater which must be pressed in (see Fig. 9). If the cut-out has activated, the button will feel stiff and will 'click' when reset. If the cut-out has not activated and after resetting, the button will feel springy.
- **Heater** - The temperature cut-out in the heater protects the components and woodwork in the sauna from overheating. There is a white reset button on the left side of the heater which must be pressed in (see Fig. 9). If the heater safety switch has activated, the button will feel stiff and will 'click' when reset.

Information!

When the overheating safety switches activate, always check the cause of the problem. The life of the elements and PCA can be adversely affected by each overheating. If systems continues to overheat look at the following: Ventilation deficient? Room volume? Internal heater fault? Water reservoir not properly cleaned?

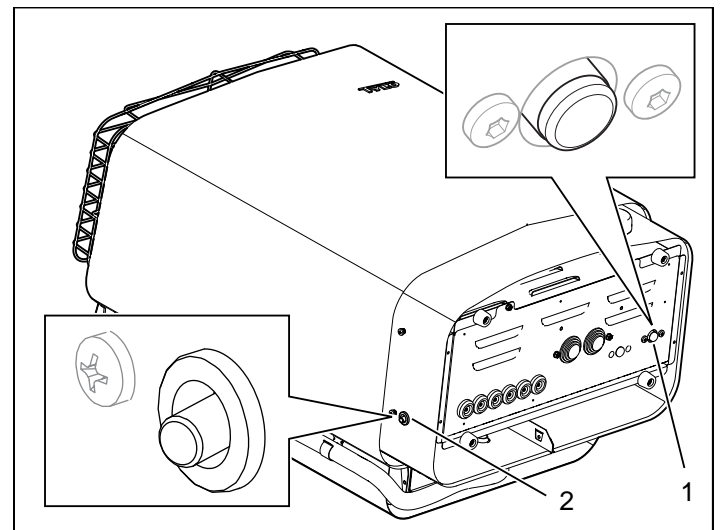


Figure 9: Resetting the temperature cut-out

1. Temperature cut-out water reservoir
2. Temperature cut-out sauna heater

Troubleshooting the control panel

See instructions supplied with the control panel.

Troubleshooting the sauna heater

Information!

Contact the dealer during the guarantee period in the event of faults.

See the instructions for the control panel for details of faults not covered in this user guide.

Table 1: Troubleshooting the sauna heater

Symptom	Possible cause	Remedy
Heater is on but does not create steam. Water boils in reservoir.	<ol style="list-style-type: none"> 1. Water level incorrect. Minimum water level for safety sensor? 2. Humidity settings on control panel do not correspond to operating status? 3. Water reservoir temperature cut-out activated? 4. Heater element in reservoir faulty? 5. If the sauna structure has deficient ventilation in conjunction with dry sauna and high sauna temperature (operating with no water in reservoir), the temperature cut-out can activate because of higher radiating temperature in the heater. 	<ol style="list-style-type: none"> 1. Fill up reservoir. 2. Set humidity to correspond to reservoir operation - read control panel manual. 3. Reset temperature cut-out. For more information, see the section on temperature cut-out on page 14. If the steam function does not work after reset, there is a risk of the reservoir being damaged. 4. An authorized electrician is required to find the fault. 5. Check for possible deficient ventilation.
Heater element in heater stone compartment does not warm up.	<ol style="list-style-type: none"> 1. Temperature settings on control panel do not correspond to operating status? 2. Water reservoir in operation? Only two of the three heater elements in the stone compartment can operate at the same time as the tank, otherwise excessive current is drawn from the electricity supply. This is not a fault outside normal operation. 3. Some of the heater fuses on the main switchboard can have tripped out? 4. Resistor coil in the heater element faulty? 5. Internal heater PCB fault? 	<ol style="list-style-type: none"> 1. Set temperature to correspond to heater element operation in stone compartment. 2. See the instructions supplied with the control panel. 3. Check and replace/reset the fuses in the main switchboard. 4. An authorised electrician is required to find the fault. 5. An authorised electrician is required to find the fault.
Lights in the sauna do not come on when switched on at the control panel.	<ol style="list-style-type: none"> 1. Is lighting connected to the heater? 2. Internal heater PCB fault? 	<ol style="list-style-type: none"> 1. Verify with authorized electrician who performed installation of heater/lighting. 2. An authorized electrician is required to find the fault.
Heater does not work, control panel does not light up.	<ol style="list-style-type: none"> 1. The main power switch is off? 2. Circuit breaker tripped on main electrical panel. 3. Loose contact in cabling between heater and control panel? 4. The specific 12VDC output on one of the PCB's RS485 modular jack to the control panel is faulty due to short-circuit? 5. Transformer on PCB in heater faulty? 6. Control panel faulty? 	<ol style="list-style-type: none"> 1. Turn heater main power switch. 2. Check and replace/reset the fuses in the main switchboard. 3. Switch off heater main power switch and connect each/paired cable to the control panel. Switch on heater main power switch again. If this does not help, an authorized electrician is required to find the fault. 4. Requires an authorized electrician to find the fault, faulty 12VDC output is indicated by LED out next to the RS485 output. Note: if the fault is in the RJ10 cable to the control panel, do not click into a working vacant RS485 outlet to avoid causing a fault in that outlet. RJ10 cable must be replaced/ contacts fitted in the event of a fault. 5. An authorized electrician is required to find the fault. 6. An authorized electrician is required to find the fault.
The fuses or circuit breaker in the building breaker panel trips as soon as the heater is turned on.	<ol style="list-style-type: none"> 1. There is a short-circuit at the heater GND. Can be due to a faulty heater element? 2. Lighting connected to and controlled via the heater faulty? 3. The heater has not been used for a long period, causing an insulation fault in the heater element? 4. Heater has had too much water poured on it? 5. Other internal heater fault? 	<ol style="list-style-type: none"> 1,2,3,4,5. Do not use the heater, switch off at main heater main switchboard trip and disconnect heater fuses on the main switchboard. An authorized electrician is required to find the fault.

SPARE PARTS LIST

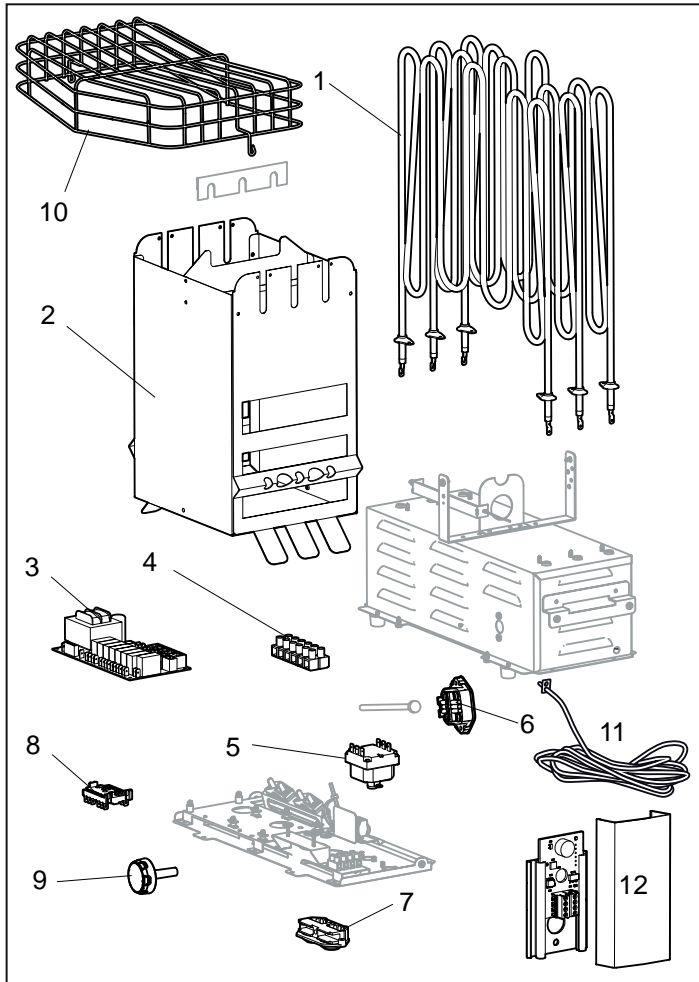


Figure 10: Spare parts 1

- | | |
|---|-----------|
| 1. Combi U8 Tubular Elements | 3001-924 |
| Combi U7 Tubular element | 3001-920 |
| 2. Stone compartment | n/a |
| 3. Circuit board | 9600 0068 |
| 4. Terminal block | 9600 0723 |
| 5. Water tank temperature safety switch | 9600 0002 |
| 6. Sauna heater temperature safety switch | 3119-607 |
| 7. Strain relief connector | 9600 0554 |
| 8. On/Off Switch | 9600 0040 |
| 9. On/off dial | 9600 0132 |
| 10. Rock Guard | 8019-541 |
| 11. NTC sensor - <i>Combi Pure</i> | 9600 0219 |
| 12. Humidity- and temperature sensor - <i>Combi Elite</i> | 9600 0074 |

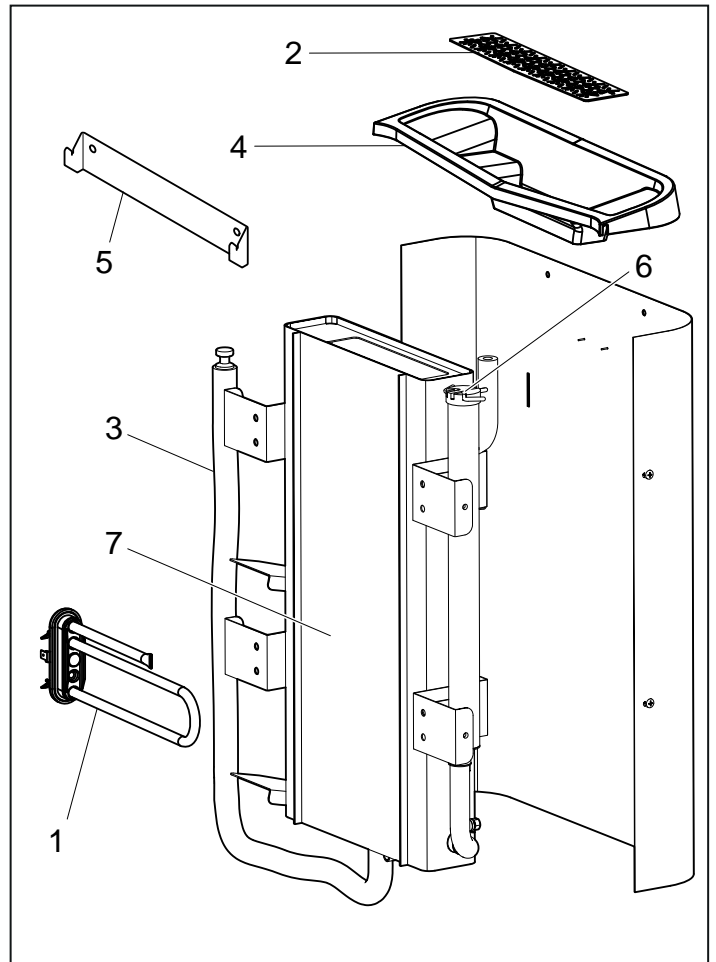


Figure 11: Spare parts 2

1. 9600 0223 Tubular element
2. 9600 0730 Herb bowl
3. 9600 0731 Hose with plug
4. 9600 0732 Filler grille
5. 9600 0733 Wall bracket
6. 9600 0734 Electrodes
7. 9600 0218 Water reservoir

ROHS (RESTRICTION OF HAZARDOUS SUBSTANCES)

Instructions for environmental protection:

Do not dispose of this product with the domestic refuse when no longer in use. Take it to a recycling station for electrical and electronic equipment instead.

For further information, see the symbol on the product, manual or packaging.

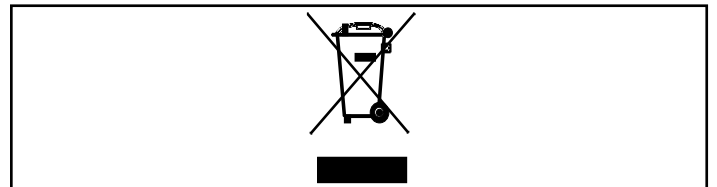


Figure 12: Symbol

The different materials can be recycled as specified by their labelling.

You can help protect the environment by recycling or reusing the spent appliances or the materials in them. Take the product to a recycling centre without the sauna stones or the soapstone jacket (if fitted).

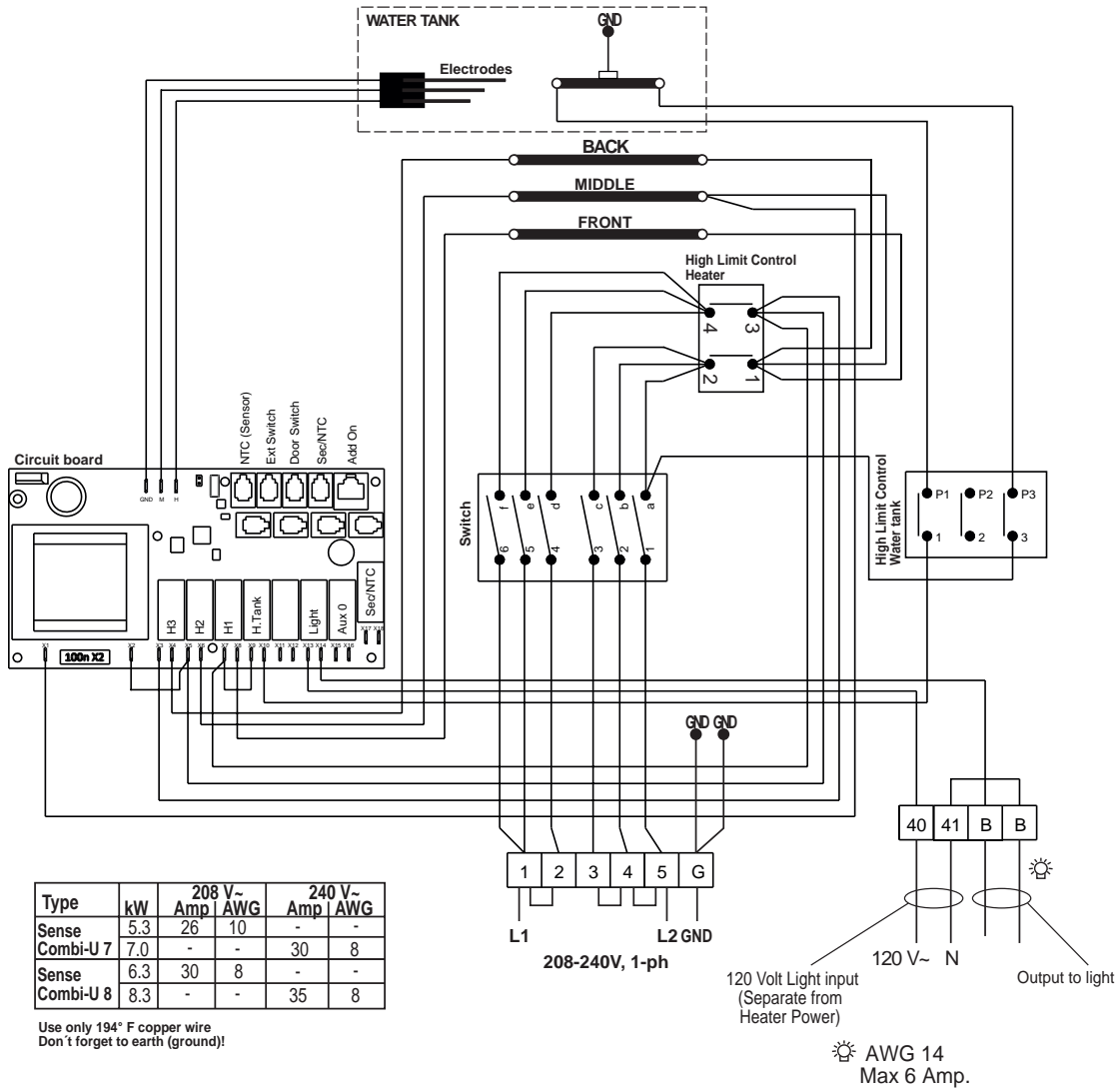
Contact your local authorities for details of your nearest recycling centre.

Please keep these instructions!

In the event of problems, please contact the retailer where you purchased the equipment.

© This publication may not be reproduced, in part or in whole, without the written permission of Tylö. Tylö reserves the right to make changes to materials, construction and design.

18
HEATER WIRING DIAGRAM



NOTICE D'INSTALLATION.....	20
AVANT L'INSTALLATION	20
Pièces	20
Exigences relatives à l'installation	20
Outils d'installation	20
Planifier l'installation	20
INSTALLATION	23
Installation du poêle de sauna	23
Interrupteur extérieur M/A (option)	25
BRANCHEMENT/CÂBLAGE	26
Description des câblages/prises modulaires	27
AUTOCONTRÔLE DE L'INSTALLATION.....	27
DIMENSIONS.....	28

NOTICE D'UTILISATION.....	29
INFORMATIONS GÉNÉRALES	29
AVANT L'UTILISATION	29
Avant la première utilisation du poêle	29
Avant chaque utilisation	29
UTILISATION	30
Généralités relatives au panneau de commande.....	30
Réservoir d'eau.....	30
Autres fonctions.....	30
INTERRUPTEUR EXTÉRIEUR M/A (OPTION)	31
APRÈS L'UTILISATION	31
Vider le réservoir.....	31
Mettre l'appareil hors tension au moyen de l'interrupteur principal.....	31
ENTRETIEN	31
Détartrage du réservoir d'eau.....	32
Nettoyage du récipient à parfum/l'humidificateur et de la coupelle à herbes aromatiques.....	32
Contrôler le réservoir à pierres	32
DÉPANNAGE	32
Dépannage du panneau de commande	32
Dépannage du poêle.....	33
LISTE DES PIÈCES DE RECHANGE	34
ROHS (RESTRICTION OF HAZARD US SUBSTANCES)	34
SCHEMA DE CÂBLAGE DU POÊLE	35



AVERTISSEMENT !

* **L'hyperthermie survient lorsque la température interne du corps atteint un niveau de plusieurs degrés au-dessus de la température normale de 37° C (98,6° F). Les symptômes de l'hypothermie comprennent une augmentation de la température interne du corps, des étourdissements, la léthargie, la somnolence et l'évanouissement. Les effets de l'hyperthermie comprennent :**

- L'omission de percevoir la chaleur ;*
 - Ne pas reconnaître la nécessité de sortir de la cabine ;*
 - L'ignorance des dangers imminents ;*
 - Des dommages fatals pour les femmes enceintes ;*
 - L'incapacité physique de sortir de la cabine et*
 - La perte de conscience*
- La consommation d'alcool, de drogues ou de médicaments est fortement déconseillée avant d'entrer dans une cabine de sauna.
 - Les femmes enceintes ou les personnes ayant une mauvaise santé devront consulter leur médecin avant d'utiliser un sauna.
 - Attention risques d'incendie : Ne pas utiliser la cabine de sauna pour faire sécher des vêtements, des maillots de bain, etc. Ne pas accrocher les serviettes au-dessus du poêle ou placer un objet autre que les pierres fournies sur le poêle. Si un noircissement de la paroi autour du poêle apparaît, cessez immédiatement l'utilisation de sauna.
 - Examinez le sauna régulièrement pour l'entretien requis du poêle, des commandes et des banquettes. Remplacer les surfaces en bois qui présentent des signes de détérioration.
 - Le poêle devient extrêmement chaud pendant le fonctionnement. Risques de brûlures en cas de contact avec les surfaces.
 - Les enfants mineurs doivent être surveillés de manière adéquate lorsqu'ils sont à proximité d'un sauna chaud ou en phase de réchauffement.
 - Les systèmes de sécurité anti-incendie (sprinkler) utilisés à l'intérieur d'une cabine de sauna doivent être correctement réglés en fonction des températures de la cabine.
 - Ne pas verser de l'eau chlorée de piscine ou de spa sur le poêle. L'utilisation excessive d'eau sur le poêle peut provoquer des dommages et annuler la garantie.
 - Cet équipement ne doit pas être utilisé par des personnes (y compris des enfants) aux capacités physiques, sensorielles ou mentales affaiblies, ou n'ayant pas assez d'expérience et de connaissance, à moins d'être surveillés ou d'avoir reçu des instructions concernant l'utilisation de l'équipement, de la part d'une personne responsable de leur sécurité. Les enfants doivent être surveillés afin de s'assurer qu'ils ne jouent pas avec l'appareil.

- Risque de choc électrique - matériel à haute tension. Ce matériel ne contient aucune pièce réparable par l'utilisateur. Toute installation et service de ce matériel doivent être effectués par un personnel certifié et qualifié conformément aux codes locaux et nationaux.
- Ne pas construire la cabine de sauna de manière à limiter la circulation d'air à travers le fond du poêle.
- Employez les pierres sans trop les serrer, au risque de déclencher la protection thermique.
- Maintenez un dégagement minimum entre le poêle et les surfaces en bois (bancs, cloisons latérales, grille de protection, etc.). Les supports de montage sont fournis. Ils assurent un dégagement adéquat par rapport au mur derrière le poêle.
- Utilisez uniquement du fil de cuivre de la taille et du type indiqués dans le tableau des caractéristiques du poêle et dont la température admissible est indiquée sur le boîtier de raccordement du poêle.
- Une rambarde ou un manteau de protection extérieur sont nécessaires autour du poêle pour éviter les brûlures de contact accidentel.
- Tous les poêles et les commandes doivent être mis à la terre conformément au code NEC pour éviter tout choc électrique en cas de panne de l'appareil.
- Ne pas monter de prises ou de boîtiers électriques à l'intérieur d'une cabine de sauna.
- Ne pas placer de banquettes au-dessus du poêle.
- Pour usage domestique uniquement.



**Conservez la présente notice d'utilisation !
En cas de problèmes, veuillez contacter le revendeur où vous avez acheté le matériel.**

© Cette publication ne peut être reproduite, en tout ou en partie, sans la permission écrite de Tylö. Tylö se réserve le droit d'apporter des modifications dans les matériaux, dans la construction et dans la conception.

NOTICE D'INSTALLATION

AVANT L'INSTALLATION

Pièces

Vérifiez que tous les éléments suivants se trouvent bien dans l'emballage :

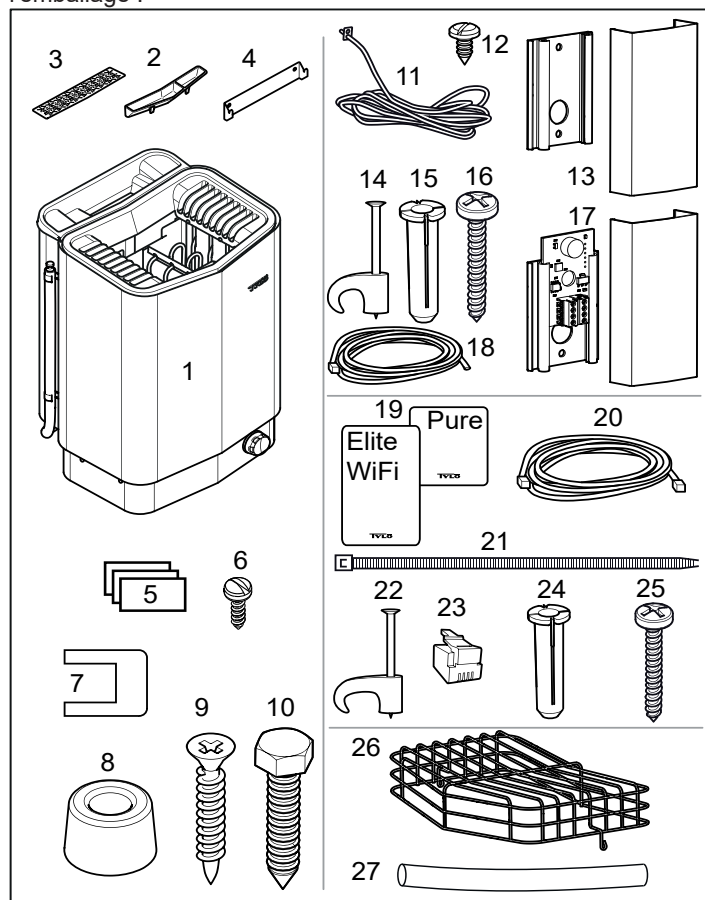


Fig. 1 : Éléments du poêle de sauna/panneau de commande

1. Poêle de sauna
2. Coupelle à herbes aromatiques/humidificateur
3. Coupelle à herbes aromatiques
4. Supports
5. Plaques d'avertissement et de danger pour la cabine en plusieurs langues
6. Vis B 4 x 6,5 x 6 pour plaques d'avertissement et de danger
7. Connecteurs x 3
8. Entretoises x 4
9. Vis x 4
10. Vis de support x 2
11. Sonde NTC (Combi Pure)
12. Vis B 4 x 6,5 (x 1 Combi Pure) (x 2 Combi Elite)
13. Couvercle sonde NTC (Combi Pure)
14. Clips TC (3-5) x 10 unités
15. Bouchons en plastique 25x5 x 2 unités
16. Vis B6x25 x 2 unités
17. Sonde d'humidité et de température avec couvercle (Combi Elite)
18. Câble entre le poêle et le Sonde d'humidité et de température, RJ10 4P4C, longueur de câble 4 m x 1 unité (Combi Elite)
19. Panneau de commande (Elite Wifi/Pure)
20. Câble entre le poêle et le panneau de commande, RJ10 4P4C, longueur de câble 5 m x 1 unité
21. Serre-câble
22. Clips C 3x5 x 10 unités
23. Prise modulaire 4, 4/4RJ10 x 2
24. Bouchons en plastique 25x5 x 3 unités
25. Vis B6x25 x 3 unités
26. Protège-pierres
27. Gaine de protection Ø14x150 mm x 3 unités, pour les câbles RJ10 (sonde, panneau de commande, contacteur de porte)

Contactez votre revendeur s'il manque une pièce quelconque.

Le panneau de commande Pure est livré avec le modèle Sense Combi Pure.

Le panneau de commande Elite Wifi est livré avec le modèle Sense Combi Elite.

Voir les notices distinctes.

Exigences relatives à l'installation

Pour garantir une utilisation sûre du poêle, vérifiez que les critères suivants sont respectés :

- Le câblage électrique doit être installé conformément au code national d'électricité américain (NEC) et à tous les codes nationaux et locaux du pays où le système est installé.
- La taille du fusible (A) et la taille du câble d'alimentation (AWG) doivent être adaptées au poêle (voir le paragraphe intitulé Schéma de raccordement/branchement, Page 26).
- La ventilation du sauna doit se conformer aux instructions de ce manuel (voir le paragraphe intitulé Emplacement de l'entrée d'air, Page 22, le paragraphe intitulé Emplacement de la sortie d'air, Page 22).
- L'emplacement du poêle, du panneau de commande et des sondes doit se conformer aux instructions de ce manuel.
- La puissance du poêle (kW) doit être adaptée au volume du sauna en m³ (pi³) (Voir tableau 1, page 20). Les volumes minimum et maximum ne doivent pas être dépassés.
- REMARQUE : Un dispositif DDFT n'est pas requis par ETL. Un DDFT peut être installé si requis par les codes locaux. Cependant, les dispositifs DDFT ont tendance à se déclencher de manière intempestive lors de l'utilisation du produit.

Tableau 1 : Tension et volume du sauna

Modèle	Tension	Volume du sauna min. pi ³	Volume du sauna max. pi ³
Sense Combi-U 7 SCU7	208 V	175	265
	240 V	175	320
Sense Combi-U 8 SCU8	208 V	250	360
	240 V	250	440

Outils d'installation

Les outils et les matériaux suivants sont nécessaires pour l'installation et le branchement :

- niveau
- mètre-ruban
- perceuse électrique
- tournevis

Planifier l'installation

Avant de commencer à installer votre poêle de sauna :

- Planifier l'emplacement du poêle (voir Emplacement du poêle : paragraphe Montage normal, page 21).
- Planifier l'emplacement du panneau de commande (voir les instructions ci-jointes pour le panneau de commande pour l'emplacement adéquat).
- Planifier l'emplacement de la sonde (voir Fig. 3, page 21).
- Positionner la bouche d'entrée d'air (voir le paragraphe Emplacement de l'entrée d'air, page 22).
- Positionner la sortie d'air (voir le paragraphe Emplacement de la sortie d'air, page 22).
- Planifier l'installation électrique (voir le paragraphe Schéma de raccordement/branchement, page 26).

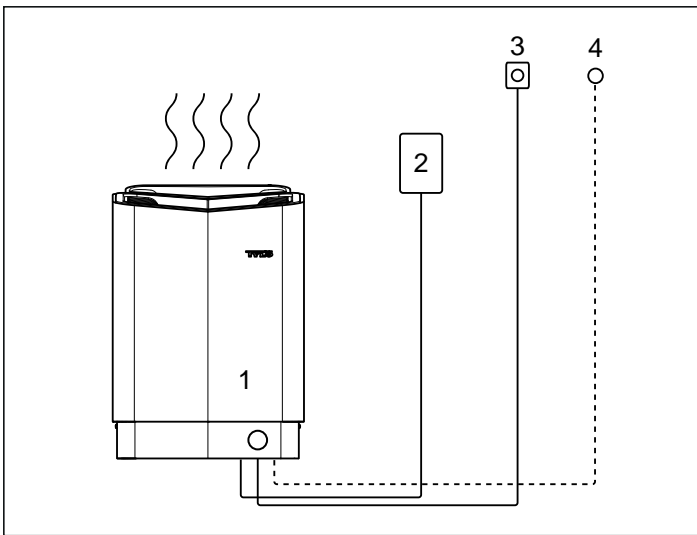


Fig. 2 : Schéma électrique de l'installation

1. Poêle de sauna
2. Panneau de commande
3. Sonde
4. Interrupteur extérieur marche/arrêt (option, contacteur de porte nécessaire pour la fonction)

Emplacement du panneau de commande

Le panneau de commande peut être monté à l'intérieur ou à l'extérieur de la cabine de sauna.

Le panneau de commande doit être correctement positionné en ce qui concerne les distances de sécurité ci-dessous, lorsqu'il est installé dans le sauna

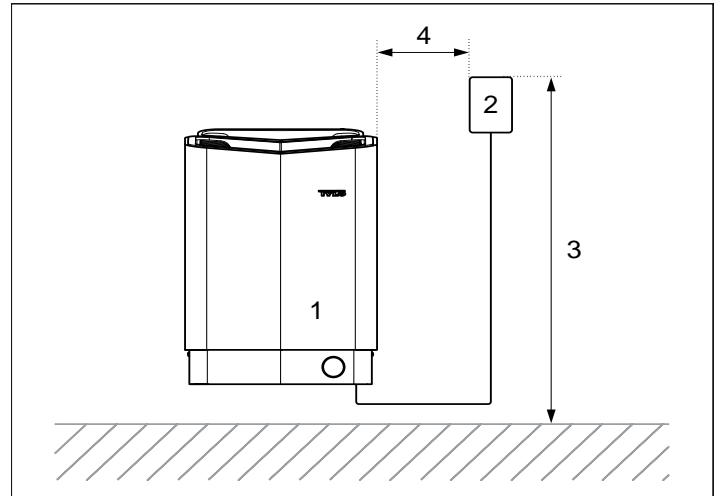


Fig. 4 : Distance de sécurité, panneau de commande

1. Poêle
2. Panneau de commande
3. 910 mm (36 po) max.
4. 300 mm (12 po) min.



DANGER ! L'installation de plus d'un poêle dans une même cabine de sauna est à proscrire.

Emplacement du poêle - montage normal

Placez le poêle de sauna :

- sur le même mur que la porte (ou la cloison latérale s'il est très près du passage de porte).
- Placez le poêle à une distance appropriée du sol, des cloisons latérales et des aménagements (voir Fig. 3).

Placez la sonde comme illustré (voir Fig. 3).

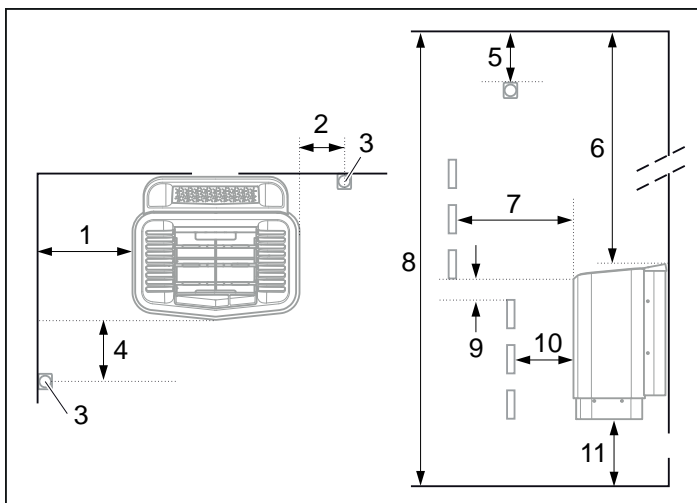


Fig. 3 : Emplacement du poêle - montage normal

1. Distance minimale par rapport aux cloisons latérales : 100 mm (4 po)
2. Emplacement de la sonde option 1 : 70 mm (3 po) du poêle
3. Sonde
4. Emplacement de la sonde option 2 : 70 mm (3 po) de l'avant du poêle
5. Emplacement de la sonde : 25 mm (1 po) du plafond
6. Distance minimale par rapport au plafond : 1 100 mm (44 po)
7. Distance minimale par rapport aux aménagements : 100 mm (4 po)
8. Hauteur minimale sous plafond : 1 900 mm (75 po)
9. Distance minimale : 25 mm (1 po)
10. Distance minimale par rapport aux aménagements : 50 mm (2 po)
11. Distance par rapport au sol : 18 mm (7 po)



AVERTISSEMENT

RÉDUISEZ LE RISQUE DE SURCHAUFFE

- * Sortez immédiatement en cas de malaise, de vertige ou de somnolence. Un séjour prolongé dans un sauna peut provoquer une hyperthermie.
- * Les enfants doivent être sous surveillance constante.
- * Si vous êtes enceinte, malade ou sous soins médicaux, demandez l'avis d'un médecin avant d'utiliser le sauna.
- * L'inhalation de l'air chauffé combinée à la consommation d'alcool, de drogues ou de médicaments peut provoquer une perte de connaissance.



ATTENTION
RÉDUISEZ LE RISQUE D'INCENDIE

Ne posez jamais de matériau combustible sur le poêle.

Fig. 5 : Avertissement/Attention plaques

Ventilation de la cabine du sauna

Dans un sauna, l'air doit être renouvelé environ 6 fois par heure. Voir la Fig. 6.

Il est recommandé que les ouvertures de ventilation soient conformes aux exigences de la norme UL 875. L'ouverture minimale devra être déterminée en utilisant l'une des formules suivantes :

- Pour $R < 31$, $V \geq 9,3$
- Pour $R \geq 31$, $V \geq 0,3 \cdot R$

où R = la surface de plancher de la cabine en m² (pi²) et
 V = la taille de la bouche d'air minimum en mm² (pouces carrés)

Emplacement de l'entrée d'air

Installer l'entrée d'air directement à travers la cloison, sous l'axe central du poêle.

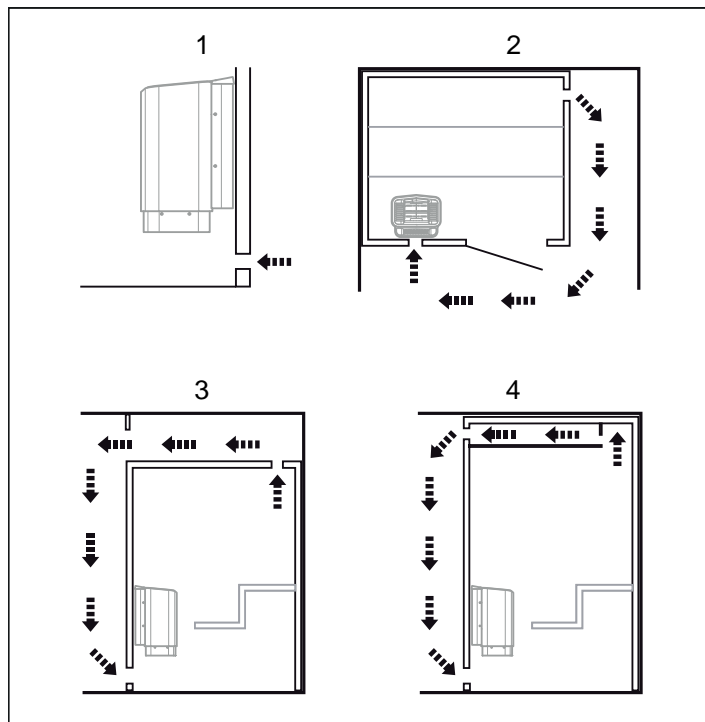


Fig. 6 : Emplacement des bouches d'entrée et de sortie d'air

1. Emplacement de l'entrée d'air.
2. Emplacement de la sortie d'air à travers la paroi du sauna.
3. Emplacement de la sortie d'air à travers la cavité.
4. Emplacement de la sortie d'air par le biais de la conduite.

Emplacement de la sortie d'air

Monter la sortie d'air

- à une distance maximale par rapport à l'entrée d'air, par exemple en diagonale (voir Fig. 6).
- en hauteur sur la cloison, ou au plafond (voir Fig. 6).
- de sorte que l'air débouche dans l'espace sur lequel donnent la porte et l'entrée d'air.

Les bouches de sortie et d'entrée d'air doivent avoir la même section.

Veiller à ce que la sortie d'air soit ouverte.

L'installation d'une ventilation mécanique est déconseillée, un mauvais échange d'air pouvant affecter la protection thermique de l'appareil.

Retrait du protège-pierres

Desserrer les deux vis sur le côté du poêle et soulever le protège-pierres vers le haut, voir Fig. 7. (Ceci est nécessaire lors du remplissage du compartiment de pierres ou du nettoyage du récipient à parfum et de l'humidificateur).

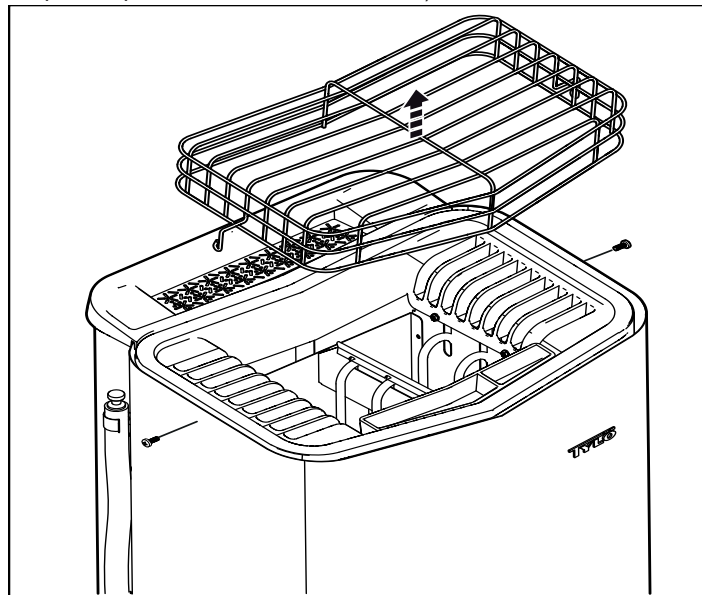


Fig. 7 : Retrait du protège-pierres

Conception de la cloison

Les règles suivantes doivent être observées, pour des raisons de sécurité et de fiabilité.

- L'AVERTISSEMENT ci-joint : Réduire le risque de surchauffe ... la plaque d'avertissement doit être montée sur ou à côté de la porte, à l'extérieur du sauna, au niveau des yeux. Utilisez les vis fournies.
- Le texte de PRUDENCE ci-joint : Réduire le risque d'incendie... la plaque de PRUDENCE doit être montée sur la paroi intérieure, au-dessus du poêle. Utilisez les vis fournies.
- Aucun système de fermeture permanent ne doit être utilisé sur la porte du sauna.
- Les ferrures de portes acceptables sont : loquets magnétiques, loquets à friction, fermetures à ressort ou par gravité. La porte doit toujours ouvrir vers l'extérieur.
- Aucune douche peut être installée dans une cabine de sauna.
- Ne pas monter de boîtier électrique à l'intérieur de la cabine de sauna.
- Le poêle ne doit pas être utilisé sans son récipient correctement rempli de pierres et le protège-pierres en place.
- Si un haut-parleur d'interphone est installé, il devra être éloigné du poêle et placé le plus près du sol possible.
- Si un éclairage ambiant est installé, il devra être du type monté en surface. Les éclairages muraux devront se placer à environ 1 750 mm (70") au-dessus du sol. Les luminaires de plafond devront être d'un type approuvé avec un boîtier de raccordement qui est à distance du luminaire lui-même. Utilisez uniquement un appareil qui utilise A.F. ou un appareil de type à câblage interne. Une lampe de 60 W devrait fournir un éclairage suffisant.
- Les systèmes de sécurité anti-incendie (sprinkler) installés à l'intérieur d'une cabine de sauna doivent être correctement réglés en fonction des températures de la cabine.
- Toujours monter le poêle selon les présentes instructions d'installation.

Construction murale typique

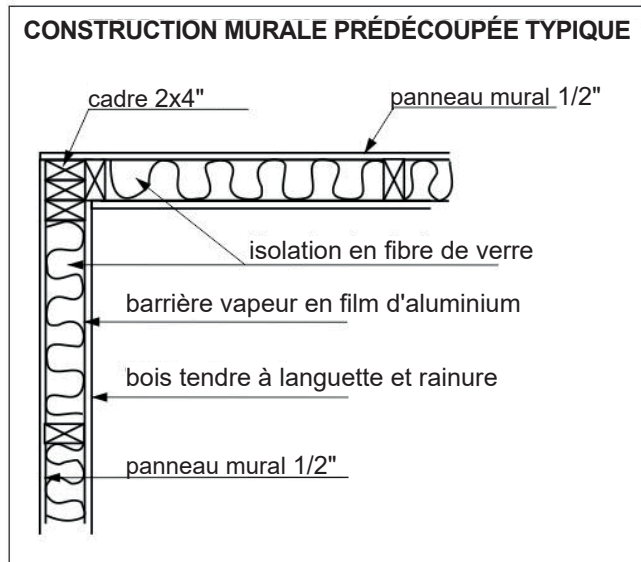


Fig. 8 : Construction murale typique

INSTALLATION

Installation du poêle de sauna

1. Fixer le support et les entretoises sur la cloison en suivant les dimensions spécifiées (voir Fig. 9). -

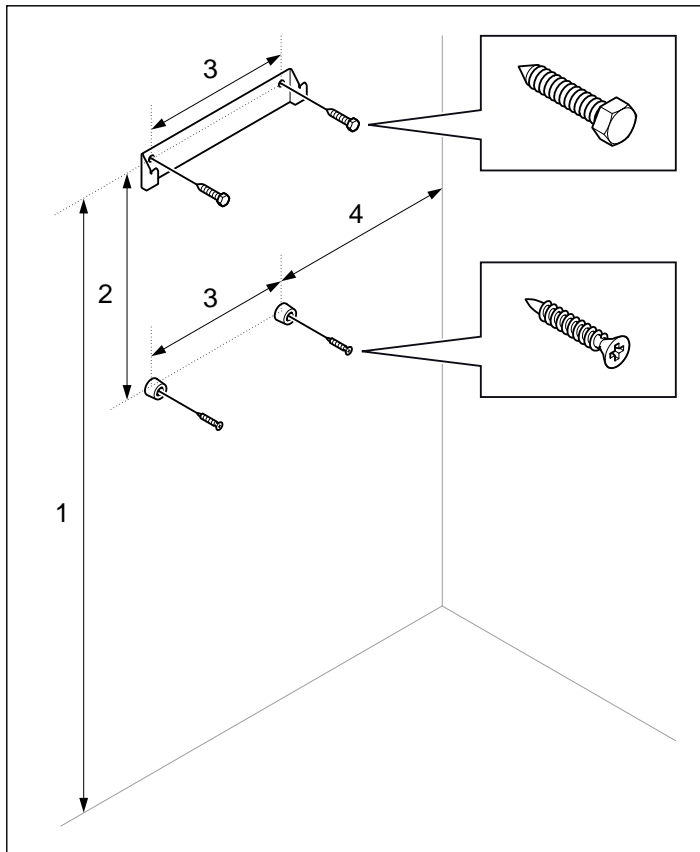


Fig. 9 : Support avec vis et entretoises

1. 670 mm (26,3 po)
2. 280 mm (11,0 po)
3. 185 mm (7,3 po)
4. 230 mm (9,0 po) (distance minimale)

Il est plus facile de se préparer pour l'installation avec le poêle en position couchée.

Pour installer le poêle :

2. Retirer le couvercle du réservoir d'eau et coucher le poêle avec la face avant tournée vers le haut (voir la Fig. 10).
3. Desserrer les vis et ouvrir le couvercle (voir Fig. 10).



AVERTISSEMENT ! Toujours vérifier que le poêle est raccorder à la bonne tension principale/tension de phase !

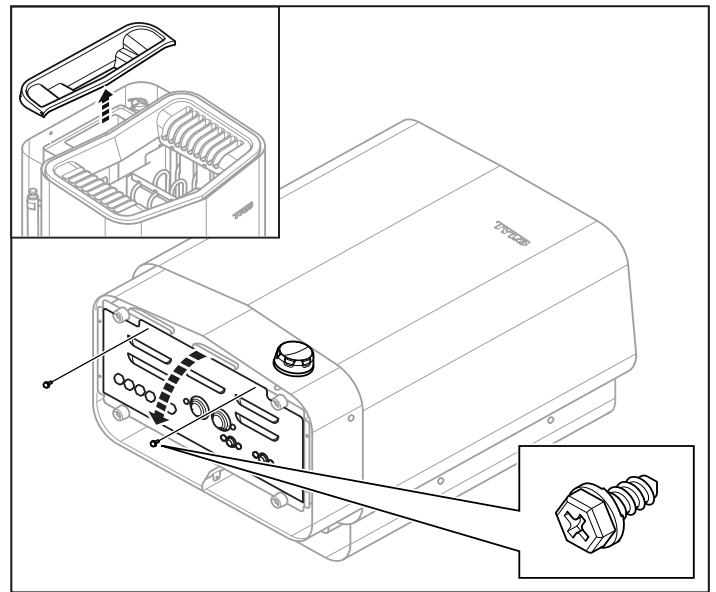


Fig. 10 : Ouverture/fermeture du volet

Utiliser un câble standard (norme FK ou EKK) homologué pour installation fixe pour raccorder le poêle. Le cas échéant, les fils électriques simples (FK) seront protégés du poêle par des gaines (PV).

4. Raccorder le câble électrique (1) au bornier (2) (voir Fig. 11), en suivant le schéma de raccordement (voir le paragraphe Schéma de raccordement/branchement, page 26).

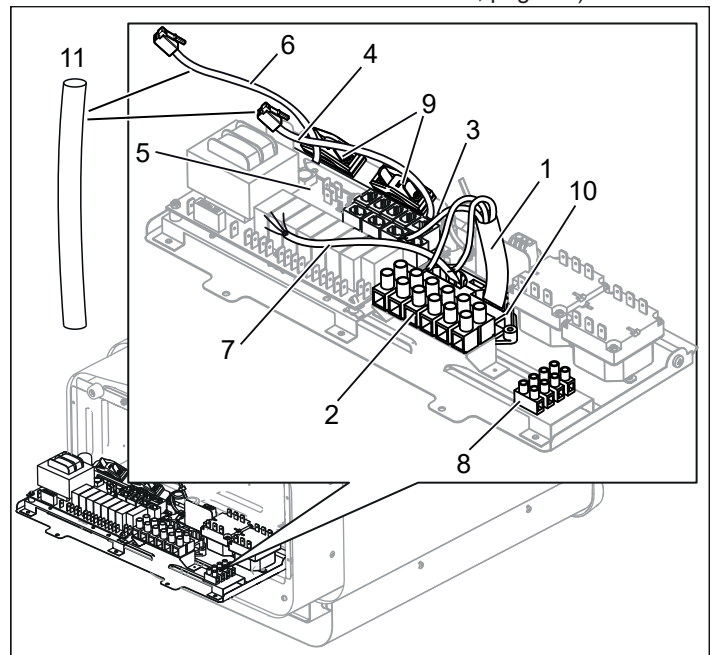


Fig. 11 : Carte électronique

- | | |
|---|---|
| 1. Câble électrique | 7. Câble d'éclairage (le cas échéant) |
| 2. Bornier pour le raccordement du câble électrique | 8. Bornier pour le raccordement de l'éclairage (le cas échéant) |
| 3. Passe-câble (x6) | 9. Connecteur anti-arrachement pour câbles des prises modulaires (x2) |
| 4. Câble du panneau de commande | 10. Connecteur anti-arrachement pour câble électrique |
| 5. Prises modulaires pour le raccordement du panneau de commande, de la sonde, etc. | 11. Gaine de protection pour les câbles RJ10 |
| 6. Câble de sonde | |
5. Acheminer les câbles du panneau de commande et de la sonde de température à travers les passe-câbles (3). Raccorder le câble du panneau de commande (4) à l'un des quatre connecteurs RS485 (pos. 6-9) (voir Fig. 11), en suivant le schéma de raccordement (voir le paragraphe Schéma de raccordement/branchement, page 26 Fig. 19).
 6. Raccorder le câble des sondes d'humidité et de température (6) à l'un des quatre connecteurs RS485 (pos. 6-9) (5), en suivant le schéma de raccordement (voir le paragraphe Branchement/Schéma de câblage, page 26 Fig. 19).

7. Raccorder le cas échéant le câble de l'éclairage (7) voir Fig. 11, au bornier (8) en suivant le schéma de raccordement Fig. 19.
8. Fermer le volet et serrer les vis (voir Fig. 10).
9. Accrocher l'appareil sur le support (voir Fig. 12).

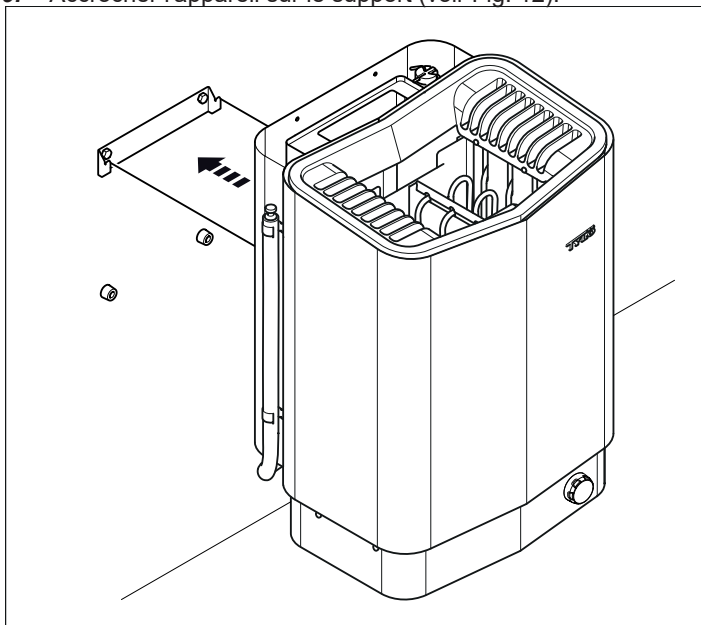


Fig. 12 : Accrocher le poêle.

10. Monter les entretoises entre le poêle et la cloison (pour éviter de soulever l'appareil) (voir Fig. 13).

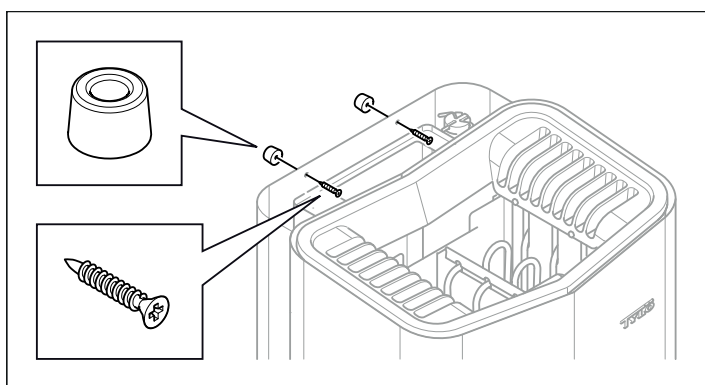


Fig. 13 : Monter les entretoises

11. Monter le couvercle du réservoir d'eau, la grille à herbes aromatiques et le récipient à parfum/l'humidificateur (voir Fig. 14).

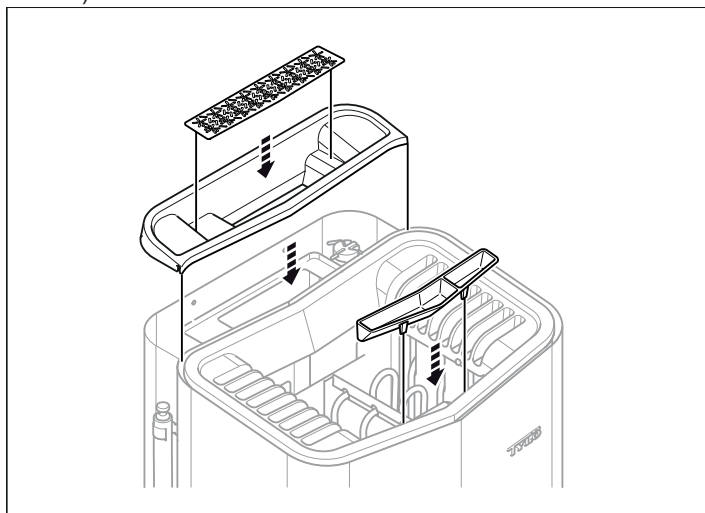


Fig. 14 : Montage du couvercle du réservoir d'eau, de la grille à herbes aromatiques et du récipient à parfum/l'humidificateur

12. Monter la sonde sur la cloison, voir Fig. 15 et 16. Le conducteur du thermistor peut également passer à travers la cloison, voir Fig. 17 et 18. Boucher, le cas échéant, les orifices dans la cloison derrière la sonde. Le conducteur du thermistor peut être prolongé à l'extérieur du sauna avec un câble basse tension (2 conducteurs).

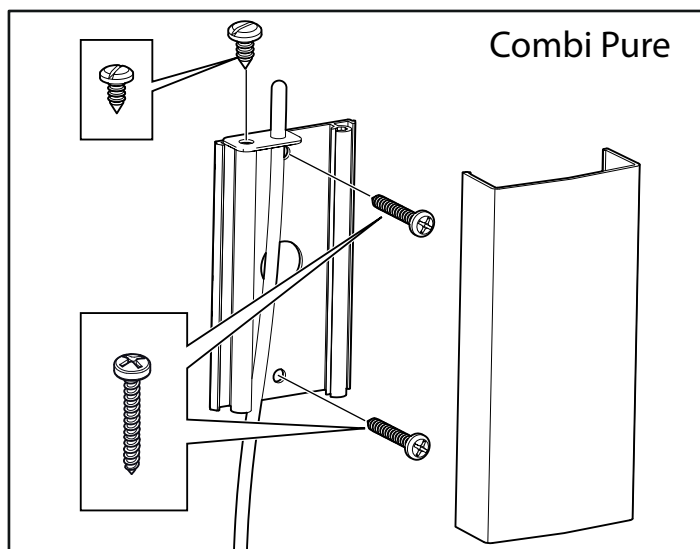


Fig. 15 : Montage de la sonde NTC - Combi Pure.

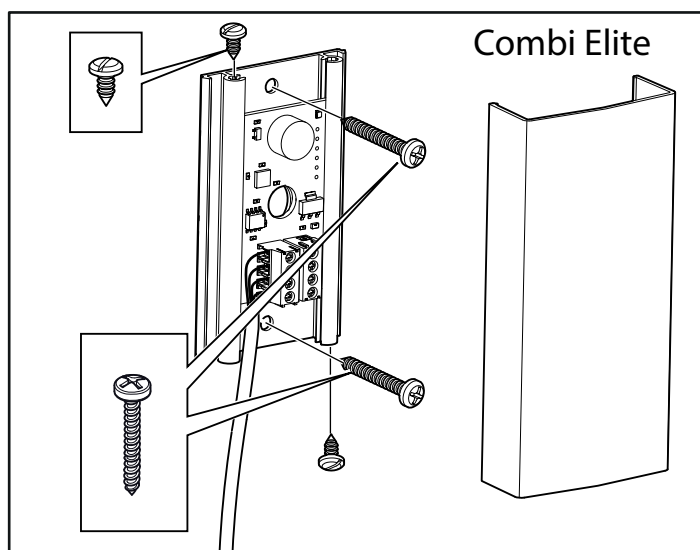


Fig. 16 : Montage de la sonde d'humidité et de température - Combi Elite. Le câble à l'intérieur du sauna doit être résistant à la chaleur.

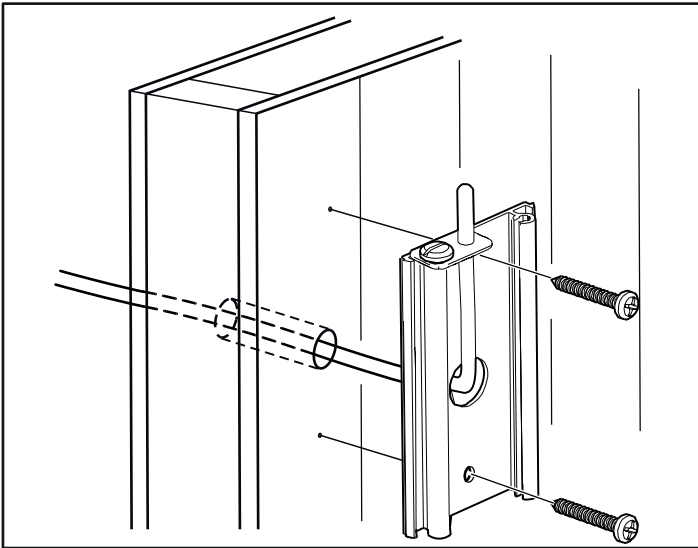


Fig. 17 : Câblage à travers la cloison - Combi Pure.

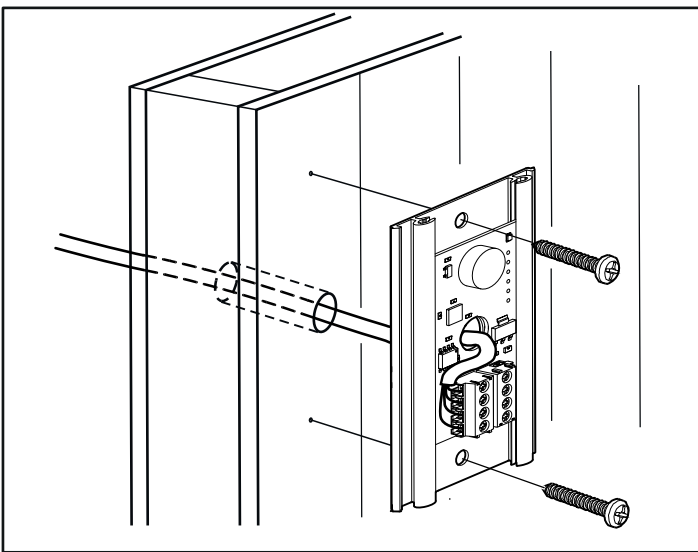


Fig. 18 : Câblage à travers la cloison - Combi Elite.

Tensions/nombre de phases inhabituelles

Pour un raccordement à d'autres tensions ou d'autres nombres de phases ne figurant pas sur le schéma Fig. 19, contacter le service de maintenance Tylö.

Interrupteur extérieur M/A (option)

L'interrupteur extérieur M/A peut être positionné n'importe où à l'extérieur du sauna, sans dépasser 23 m (75 pi) depuis le poêle, pour éviter la perte de tension dans le câble. La perte de tension affecte l'indicateur LED de l'état du poêle (si intégré et raccordé à l'interrupteur).

Pour plus d'informations, voir les instructions fournies avec le panneau de commande.

SCHÉMA DE RACCORDEMENT/BRANCHEMENT

TAB	208 V monophasé			240 V monophasé		
Modèle	Intensité A	Puissance kW	Section du conducteur AWG	Intensité A	Puissance kW	Section du conducteur AWG
Sense Combi-U 7	26	5,3	10	30	7,0	8
Sense Combi-U 8	30	6,3	8	35	8,3	8

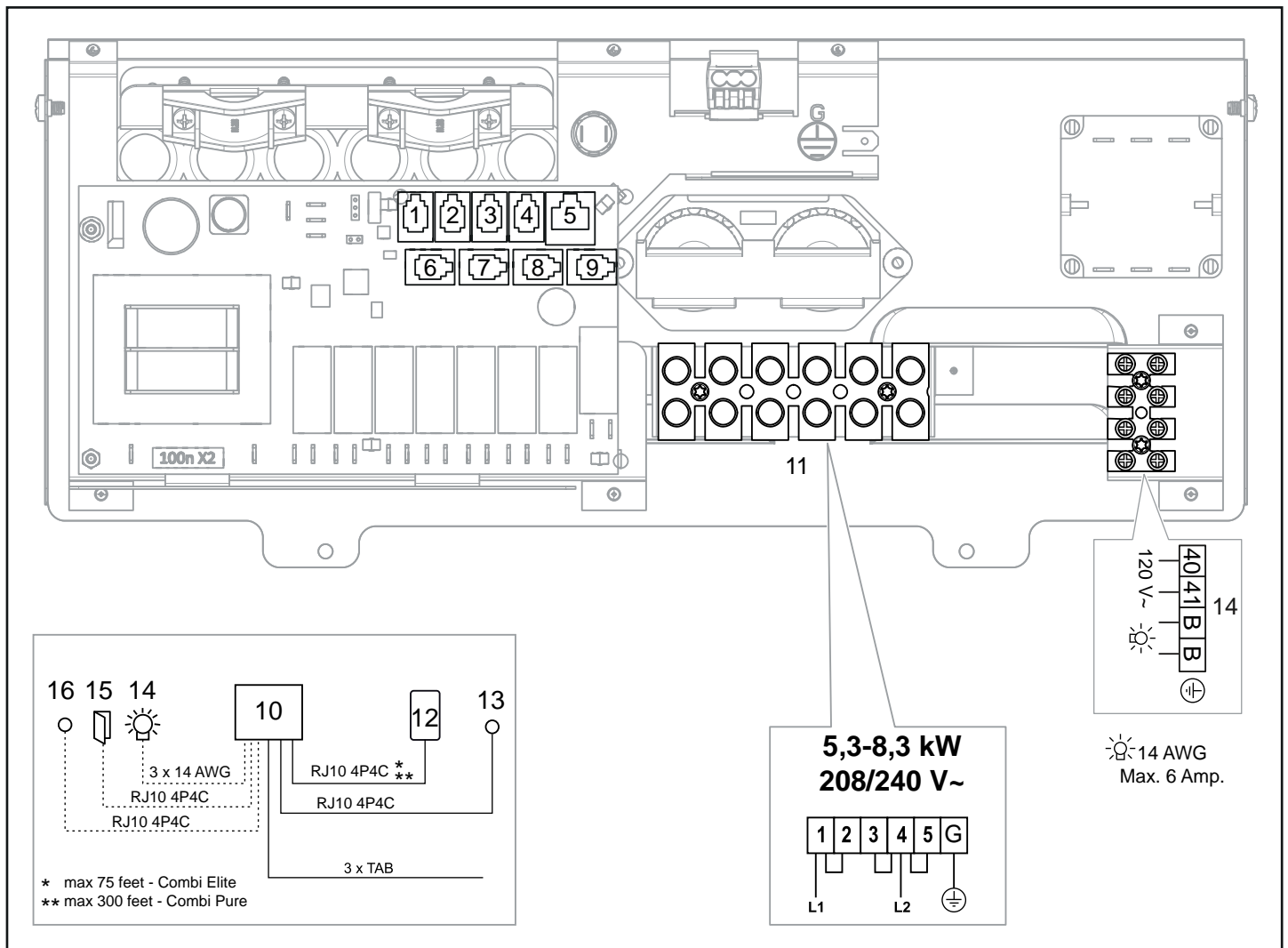
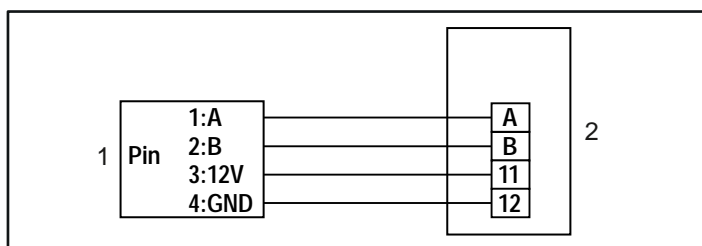
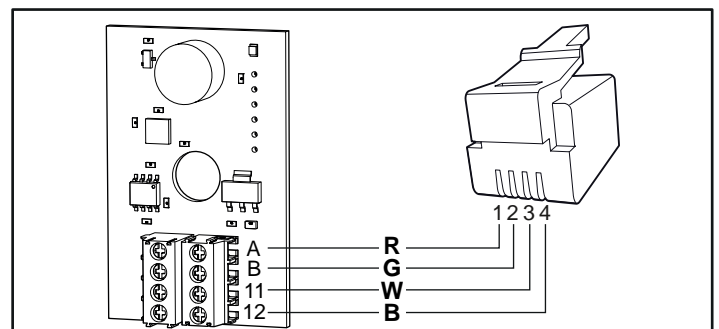


Fig. 19 : Schéma de branchement

1. Sonde NTC - *Combi Pure*.
2. Inter. ext. (Interrupteur extérieur option)
3. N/A
4. N/A
5. N/A
6. Sonde (d'humidité et de température)- *Combi Elite*
7. N/A
8. N/A
9. Panneaux de commande (*Pure ou Combi Elite*)
10. Poêle
11. Bornier pour le raccordement du câble électrique
12. Panneau de commande (raccorder aux positions 6-9)
13. Sonde NTC - *Combi Pure*. (raccorder aux position 1)
13. Sonde d'humidité et de température - *Combi Elite*. (à raccorder aux positions 6-9)
14. Éclairage/bornier pour le raccordement de l'éclairage
15. Contacteur de porte (option)
16. Interrupteur extérieur (option)

Fig. 20a : Raccordement de la sonde d'humidité et de température - *Combi Elite*.

1. Prise modulaire (RJ10, voir Fig. 19)
2. Sonde d'humidité et de température

Fig 20b: Raccordement de la sonde d'humidité et de température - *Combi Elite*.

R=Rouge, G=Vert, W=Blanc, B=Noir

Description des câblages/prises modulaires

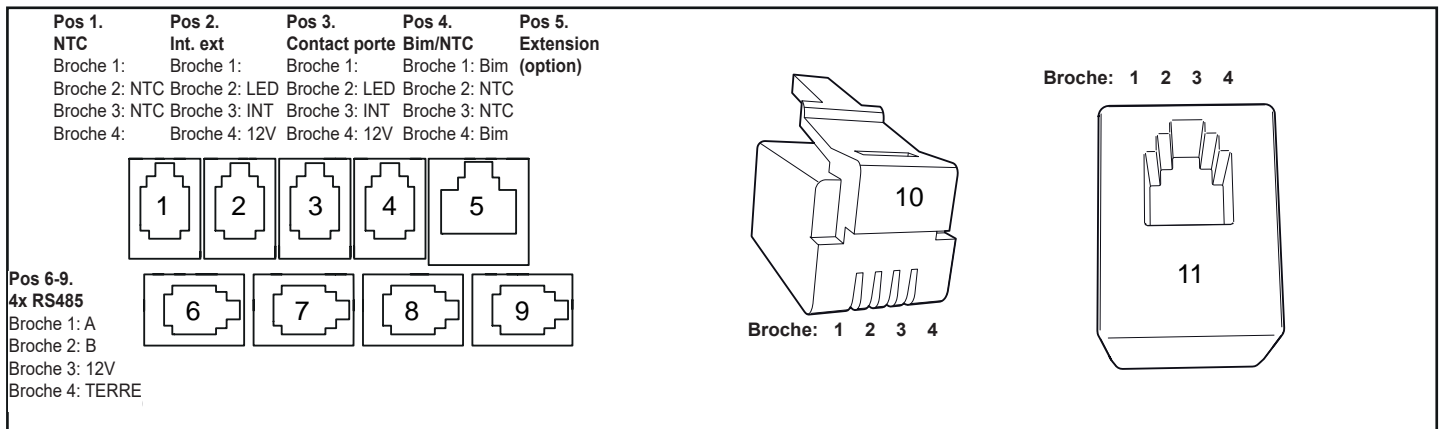


Fig. 21 : Prises modulaires, description (Pos. 1-4 et 6-9 : RJ10, Pos. 5 : RJ45)

1. Sonde NTC - *Combi Pure*.
2. Inter. ext. (Interrupteur extérieur option)
3. N/A
4. N/A
5. N/A
6. Sonde (d'humidité et de température)- *Combi Elite*
7. N/A
8. N/A
9. Panneaux de commande (*Pure ou Combi Elite*)
10. Prise modulaire (RJ10)
11. Contact modulaire (RJ10)

Tableau 3 : Branchement des composants dans les contacts modulaires (section de câble max. pour RJ10 : 0,90 mm/0,20 mm², AWG24)

Branchement de	Pos.	Broche	Commentaire
Combi Pure Sonde de temp. (10 kohm)	1	2-3	Doit être un modèle NTC.
Interrupteur extérieur sans diode	2	3-4	Versions à impulsion ou raccordement constant possibles.
Interrupteur extérieur avec diode	2	2-3-4	12 VDC (40mA max.).



REMARQUE ! En cas de modification du câblage modulaire, par exemple une réduction de la longueur d'un câble, une pince à sertir est nécessaire.

AUTOCONTRÔLE DE L'INSTALLATION

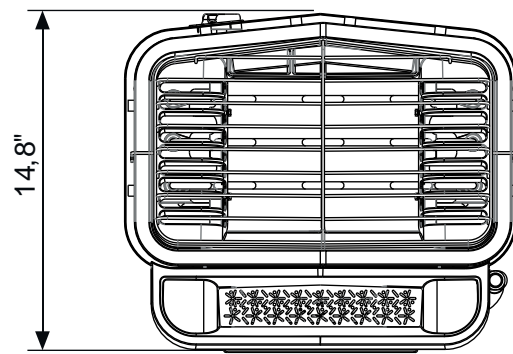
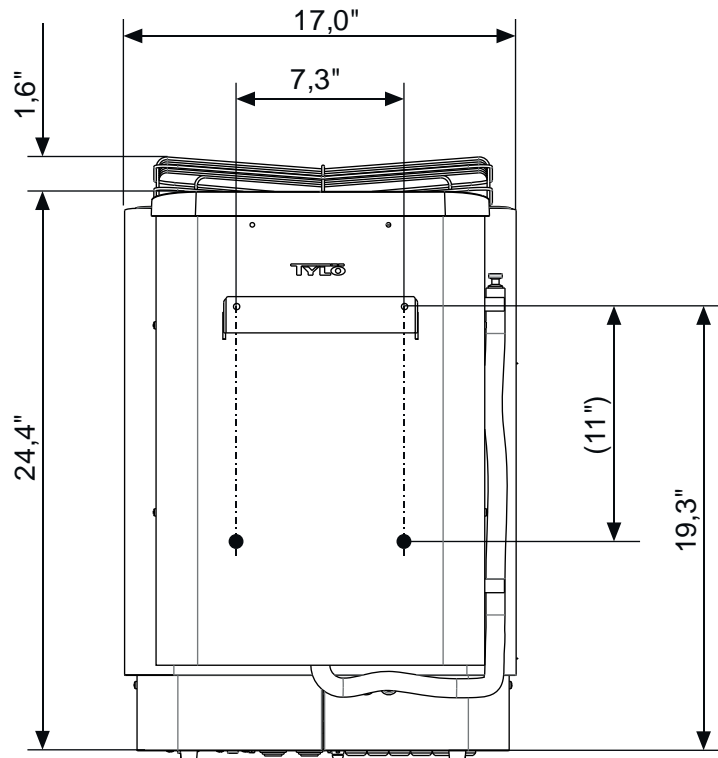
Pour contrôler l'installation :

1. Brancher l'alimentation principale du poêle.
2. S'assurer que le panneau de commande est allumé.
3. Mettre le poêle en marche (voir Notice d'utilisation).
4. Vérifier que les trois résistances s'allument (deviennent rouges).

Conserver la présente notice d'utilisation !

En cas de problèmes éventuels, veuillez vous adresser au point de vente.
 © Toute reproduction, intégrale ou partielle, est interdite sans l'autorisation écrite de Tylö. Tylö se réserve le droit de procéder sans préavis à des modifications des matériaux, de la conception et du design.

DIMENSIONS



NOTICE D'UTILISATION

INFORMATIONS GÉNÉRALES

Vous venez d'acquérir un poêle de sauna et nous vous en remercions. Pour en retirer tous les bienfaits escomptés, vous devez suivre scrupuleusement les instructions contenues dans la présente notice d'utilisation.

Le sauna sec et le sauna humide sont des pratiques thermales à l'origine très ancienne. Elles font appel à des températures très élevées, situées, dans l'idéal, entre 70 et 90 °C (145-190°F).

AVANT L'UTILISATION

Avant la première utilisation du poêle

Remplir le réservoir de pierres



NOTE : N'utiliser que des pierres de type diabase (pierres pour sauna Tylö) ! L'usage de pierres « ordinaires » risquerait d'endommager le poêle. Ne pas utiliser de pierres en céramique. L'usage de pierres en céramique risquerait d'endommager le poêle. La garantie du poêle n'est pas applicable aux dommages provoqués par des pierres en céramique.

Remplir le réservoir à pierres jusqu'à environ 50 mm (2") au-dessus du bord supérieur du poêle. Ne pas appuyer sur les pierres pour les mettre en place. Quantité nécessaire : env. 15 kg de pierres (35 lb).

Les pierres doivent être suffisamment écartées pour permettre à l'air de circuler le mieux possible à l'intérieur du réservoir. Les résistances tubulaires ne doivent pas être comprimées, ni coincées contre le châssis de l'appareil

Remarques concernant les pierres utilisées dans le sauna :

- elles doivent supporter une forte chaleur et les variations de température auxquelles elles sont soumises lorsqu'on les arrose d'eau.
- elles doivent être nettoyées avant utilisation.
- elles doivent présenter une surface irrégulière qui puisse « fixer » l'eau, de manière à obtenir un meilleur dégagement de vapeur.
- Elles doivent avoir une taille comprise entre 30 et 60 mm (1-1/2" à 2") de manière à assurer une bonne circulation de l'air. On prolongera ainsi la durée de vie des résistances.



NOTE : Ne jamais poser de pierres sur les chambres de ventilation latérales. Les recouvrir empêche la circulation d'air, le poêle surchauffe et la protection thermique se déclenche.

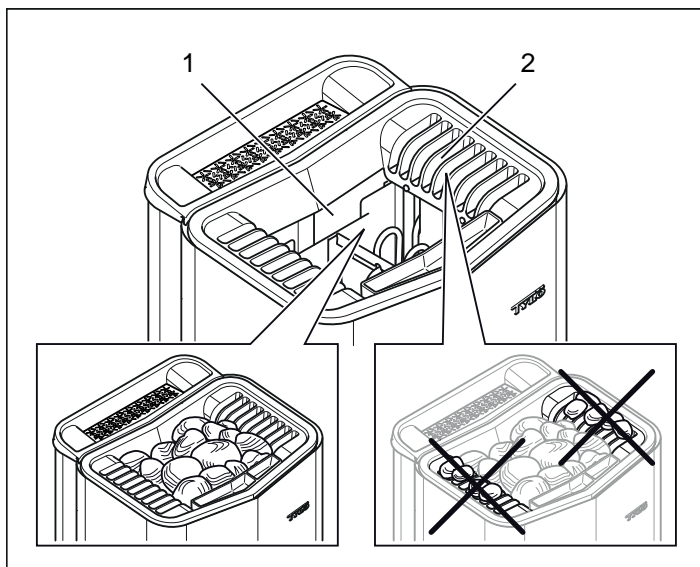


Fig. 1 : Remplissage du réservoir à pierres

1. Réservoir à pierres
2. Chambres latérales

Faire fonctionner le poêle pour chasser l'odeur d'appareil neuf. Pour chasser « l'odeur d'appareil neuf » dégagée par le poêle : Faire chauffer le sauna pendant environ une heure. Le réservoir d'eau n'a pas besoin de fonctionner.

Il peut se produire un léger dégagement de fumée.

Réglages de base

À la première utilisation du panneau de commande :

Consulter les instructions fournies avec le panneau de commande.

Avant chaque utilisation

Vérifier les points suivants

S'assurer que :

- aucun objet qui n'y a pas sa place ne se trouve dans la cabine, sur le poêle, ni à l'intérieur de celui-ci.
- la porte et les éventuelles fenêtres de la cabine sont fermées.
- la porte du sauna peut être ouverte vers l'extérieur d'une légère poussée.

NOTE :



DANGER ! Les essences parfumées etc. peuvent s'enflammer si le liquide est versé sur le réservoir à pierres.



REMARQUE ! La cabine de sauna ne doit pas servir à d'autres usages.

Mettre l'appareil sous tension au moyen de l'interrupteur principal

L'interrupteur principal se trouve au bas de l'appareil.

Appuyer sur l'interrupteur général s'il n'est pas enclenché (voir la Fig. 2).

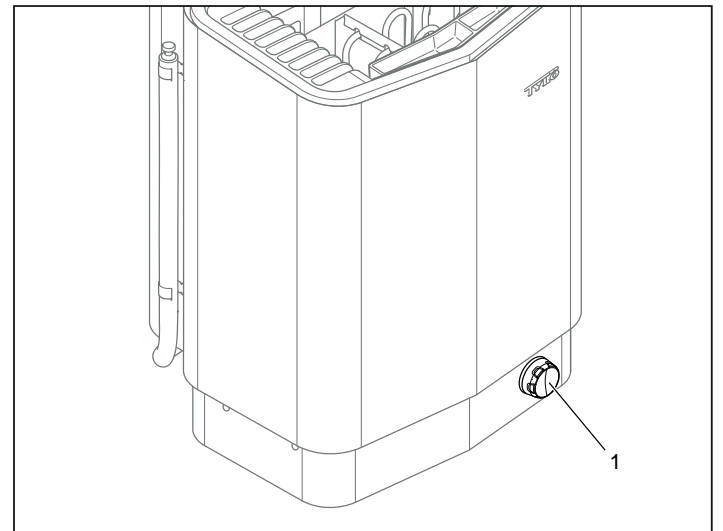


Fig. 2 : Emplacement de l'interrupteur principal

1. Interrupteur principal

Généralités relatives au panneau de commande

Consulter les instructions fournies avec le panneau de commande.

Réservoir d'eau

Le poêle de sauna fonctionne avec et sans eau dans le réservoir. Lorsque le réservoir d'eau est utilisé, deux des trois résistances maximum fonctionnent dans le réservoir à pierres. Le poêle commute automatiquement entre le réservoir et le réservoir à pierres, selon le réglage sélectionné sur le panneau de commande. Consulter les instructions fournies avec le panneau de commande.

Remplissage du réservoir d'eau :

Avant de démarrer le poêle, remplir le réservoir d'eau en versant avec précaution de l'eau du robinet à travers la grille d'herbes aromatiques, voir Fig. 3.

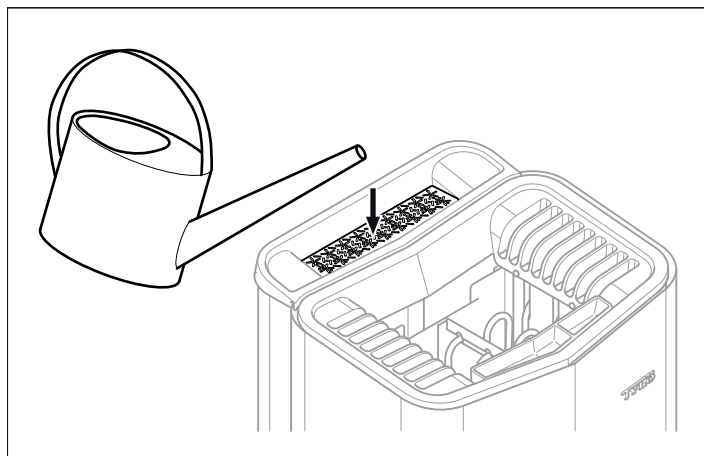


Fig. 3 : Remplissage du réservoir d'eau.



Remarque ! Ne jamais utiliser de l'eau salée, celle-ci peut endommager la résistance dans le réservoir. Cela peut également provoquer une formation de mousse qui fait que la sonde de niveau détecte un niveau d'eau plus élevé que le niveau réel, et les résistances peuvent se détériorer.

1. Un réservoir vide est indiqué par deux symboles en forme de goutte d'eau vide sur l'écran du panneau de commande Elite (le panneau de commande Pure affiche un symbole en forme de goutte d'eau clignotante lorsque le poêle fonctionne). Un réservoir vide à la mise en marche de l'appareil est signalé en outre par trois signaux sonores discontinus.

2. Lorsque le niveau d'eau atteint la sonde de sécurité, un symbole en forme de goutte d'eau pleine s'affiche sur l'écran du panneau de commande Elite (le panneau de commande Pure affiche un symbole en forme de goutte d'eau éteint). La résistance dans le réservoir peut être démarrée.

3. Lorsque le niveau d'eau atteint la sonde de niveau haut, deux symboles en forme de goutte d'eau pleine s'affichent sur l'écran du panneau de commande Elite (le panneau de commande Pure affiche un symbole en forme de goutte d'eau éteint). Un signal sonore continu retentit également pendant environ : 2 secondes, indiquant que le niveau d'eau dans le réservoir est plein (au cas où vous ne vérifiez pas l'écran du panneau de commande pendant le remplissage).



Remarque ! Ne plus ajouter d'eau après le signal sonore pour éviter que l'eau bout et se déverse du réservoir.

Réservoir d'eau en service :

1. Lorsqu'il est utilisé et si le niveau de l'eau descend en dessous de la sonde de niveau supérieur, il continuera à fonctionner normalement, mais un symbole plein en forme de goutte apparaîtra sur l'écran du panneau de commande Elite (le panneau de commande Pure affiche une goutte d'eau éteinte). De l'eau peut être ajoutée, et un signal sonore constant retentit lorsque l'eau atteint son niveau max.

2. Lorsqu'il est utilisé et si le niveau de l'eau descend en dessous de la sonde de sécurité, trois signaux sonores discontinus retentissent et deux symboles en forme de goutte d'eau vide apparaîtront sur l'écran du panneau de commande Elite (le panneau de commande Pure affiche une goutte d'eau clignotante lorsque le poêle fonctionne). Cela indique qu'il n'y a pas assez d'eau dans le réservoir, et que la résistance du poêle se met automatiquement hors tension.

Autres fonctions

Récipient à parfum



DANGER ! Ne jamais mettre d'essences parfumées dans la coupelle à herbes aromatiques ni dans le réservoir d'eau.



DANGER ! Les essences parfumées etc. peuvent s'enflammer si le liquide est versé sur le réservoir à pierres.

Pour créer une atmosphère parfumée dans la cabine, déposez quelques gouttes de parfum de sauna Tylö dans l'eau du récipient à parfum.

Vous pouvez également verser quelques gouttes de parfum de sauna dans un seau rempli d'eau que vous versez sur des pierres suffisamment chaudes. Pour cela, utilisez une louche en bois. Versez 1 à 2 louches d'eau max. à la fois, puis attendre que les pierres aient retrouvé suffisamment de chaleur avant de verser à nouveau de l'eau fraîche sur les pierres.

Le parfum de sauna Tylö existe en différentes variantes.

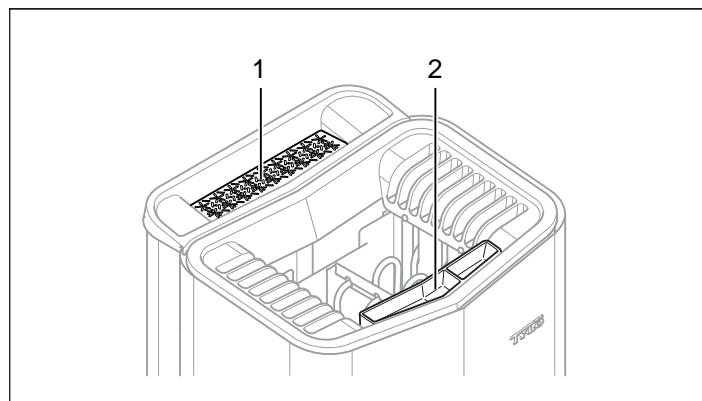


Fig. 4 : Autres fonctions

1. Coupelle à herbes aromatiques

2. Récipient à parfum/humidificateur

Coupelle à herbes aromatiques

Pour un sauna parfumé et rafraîchissant, utiliser des herbes fraîches ou séchées, ou des épices. Les arômes se libéreront délicieusement dans l'atmosphère vaporeuse et tropicale du sauna.

Pour obtenir une atmosphère parfumée, déposer des herbes fraîches ou séchées, ou des épices, dans la coupelle prévue à cet effet (voir Fig. 4).



CONSEIL ! Testez vos propres compositions : par exemple : feuilles de bouleau, lavande, menthe, épices, sachet de thé et autres parfums des plus étonnants.

Humidificateur



AVERTISSEMENT ! ne pas confondre les instructions concernant l'humidificateur et celles du réservoir d'eau.



DANGER ! Si l'on verse de l'eau dans l'humidificateur une fois qu'il est chaud, de l'eau bouillante risque d'éclabousser les baigneurs. Il est déconseillé de se tenir debout ou d'être assis sur la banquette devant le poêle lorsque de l'eau est versée dans l'humidificateur en raison du risque d'éclaboussures violentes d'eau brûlante.

Pour obtenir une hygrométrie de base agréable, remplir d'eau l'humidificateur intégré (voir Fig. 4) avant que le sauna ne soit mis en service.



Conseil : On peut ajouter quelques gouttes de parfum de sauna à l'eau contenue dans l'humidificateur intégré.

INTERRUPTEUR MARCHE/ARRÊT EXTÉRIEUR (OPTION)

Un interrupteur MARCHE/ARRÊT extérieur peut être installé n'importe où à l'extérieur du sauna. L'interrupteur existe en version à impulsion ou raccordement constant. Le circuit du poêle reconnaît automatiquement le type d'interrupteur utilisé. L'état du poêle et les pannes du contacteur de porte peuvent être lus si l'interrupteur comporte une LED intégrée.

Consulter les instructions fournies avec le panneau de commande.

APRÈS L'UTILISATION

Vider le réservoir



DANGER ! Eau brûlante ! Il est préférable d'attendre qu'elle ait tiédi avant de terminer cette étape.

Pour éviter la formation de tartre et de niveaux élevés de sels/minéraux, il convient de vider le réservoir après chaque utilisation du sauna. Si cette consigne n'est pas respectée et que de l'eau est ajoutée chaque fois que vous prenez un sauna, cela peut provoquer une formation de mousse qui fait que la sonde de niveau détecte un niveau d'eau plus élevé que le niveau réel, ce qui risque de détériorer les résistances.

Pour vider le réservoir :

1. Détacher le tuyau de sa fixation.
2. Le tenir en hauteur et ôter le bouchon.
3. Abaisser le tuyau en le dirigeant vers un récipient adapté, et y vider le reste de l'eau contenu dans le réservoir.
4. Accrocher le tuyau à sa fixation.

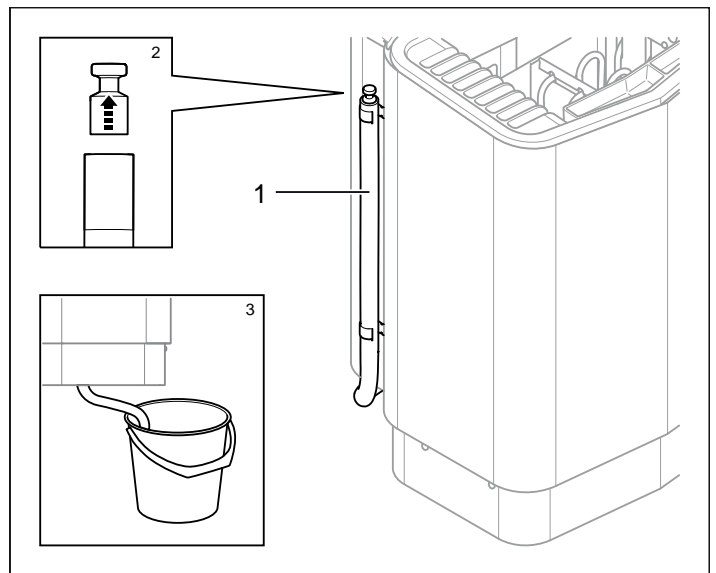


Fig. 5 : Vidange du réservoir d'eau.

1. Tuyau de vidange du réservoir.
2. Enlever le bouchon
3. Abaisser le tuyau en le dirigeant vers un récipient approprié

Mettre l'appareil hors tension au moyen de l'interrupteur principal



ATTENTION ! La mémoire de l'appareil s'efface au bout d'une coupure de courant d'une durée supérieure à 7 jours. Si tel est le cas, la date et l'heure devront être de nouveau programmées.

L'interrupteur principal se trouve au bas de l'appareil.

Mettre l'installation hors tension ici si le poêle doit rester inutilisé pendant une période assez longue, par exemple de plusieurs semaines.

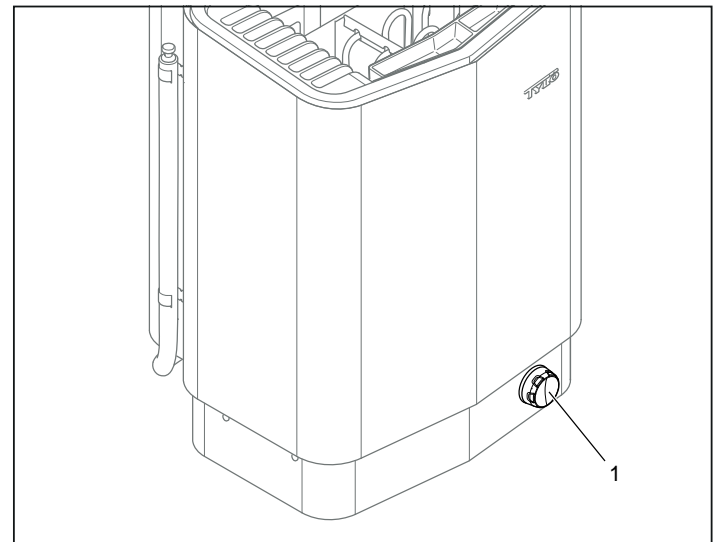


Fig. 6 : Emplacement de l'interrupteur principal

ENTRETIEN

Après chaque utilisation	Au besoin	Une fois par an
Vider le réservoir d'eau.	Détartrer le réservoir d'eau.	Contrôler le réservoir à pierres.
	Nettoyer la coupelle à herbes aromatiques et le récipient à parfum	
	Nettoyer les électrodes à l'aide d'un chiffon ou similaire. Voir la Fig. 7.	

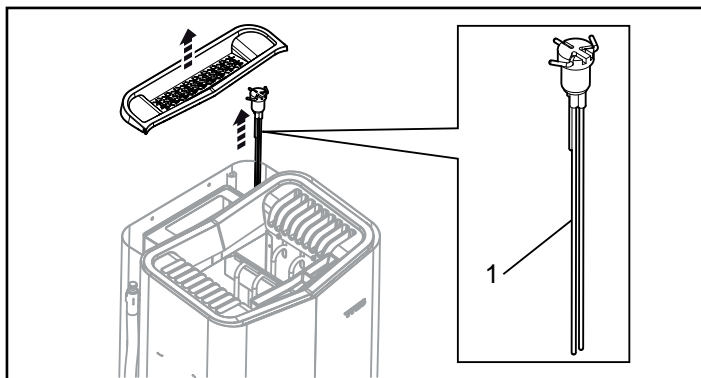


Fig. 7 : Nettoyage des électrodes

1. Électrodes

Détartrage du réservoir d'eau

Détartrer si nécessaire le réservoir d'eau à l'aide d'un détartrant Tylo.

Pour procéder au détartrage :

1. Retirer la grille à herbes de la coupelle à herbes.
2. Lancer la fonction de production de vapeur (cf. le paragraphe Utilisation, page 30) et la maintenir en marche jusqu'à ce que l'eau bouille.
3. Éteindre le poêle et attendre environ 5 minutes.
4. Mélanger 2 tasses de détartrant et verser le tout dans la prise d'eau.
5. Laisser le détartrant agir pendant une heure, puis vider le réservoir et bien le rincer.
6. Si nécessaire, répéter opération plusieurs fois, jusqu'à ce que tout le tartre ait été enlevé.

Nettoyage du récipient à parfum/l'humidificateur et de la coupelle à herbes aromatiques

Nettoyer au besoin le récipient à parfum/l'humidificateur et la coupelle à herbes aromatiques

Pour nettoyer le récipient à parfum/l'humidificateur et la coupelle à herbes aromatiques :

Enlever le récipient à parfum/l'humidificateur et la coupelle à herbes aromatiques et les rincer sous l'eau courante.

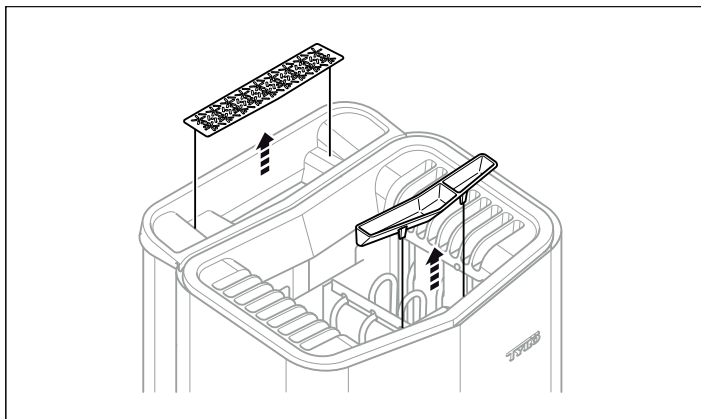


Fig. 8 : Nettoyage du récipient à parfum/l'humidificateur et de la coupelle à herbes aromatiques

Contrôler le réservoir à pierres

Contrôler l'état du réservoir à pierres au moins une fois par an, ou autant de fois par an que le poêle est utilisé par semaine.

Exemple : Si l'appareil est utilisé 3 fois par semaine, vérifier le réservoir à pierres 3 fois par an.

Pour contrôler l'état du réservoir à pierres :

1. Retirer toutes les pierres du réservoir.
2. Éliminer tous les fragments de pierre, graviers et concrétions de tartre.
3. Remettre en place les pierres restées intactes. Remplacer celles qui présentent des défauts (cf. Le paragraphe Remplir le réservoir de pierres, page 30).



AVERTISSEMENT ! Si le réservoir à pierres est rempli de gravier et de petites pierres, la résistance tubulaire risque d'être endommagée en raison de la surchauffe, du fait que la circulation d'air sera insuffisante.

DÉPANNAGE

Protections thermiques

Les dispositifs de protection thermique du poêle :

• **PCA** - La protection thermique sur le PCA qui équipe le poêle vise à protéger de la surchauffe les éléments électroniques. Si la protection thermique est déclenchée, un code d'erreur s'affiche sur le panneau de commande.

Lorsque la protection thermique s'est déclenchée, le retour au fonctionnement normal intervient dès que la température baisse en-dessous de 20° C (68 (°F) sur le PCA.

• **Réservoir d'eau** - La protection thermique dans le réservoir d'eau est prévue pour éviter l'excès d'évaporation de la résistance. Sur le dessous du poêle se trouve un bouton-poussoir rouge (voir Fig. 9). Si la protection thermique s'est déclenchée, un déclic est ressenti lorsqu'on enfonce le bouton. Si la protection thermique ne s'est pas déclenchée et après réinitialisation, le bouton est toujours sur ressort.

• **Poêle** - La protection thermique dans le poêle sert empêcher la surchauffe du bois et des composants électroniques à l'intérieur du sauna. Sur le dessous du poêle se trouve un bouton-poussoir rouge (voir Fig. 9). Si la protection thermique du poêle s'est déclenchée, un déclic est ressenti lorsqu'on enfonce le bouton. Si la protection thermique ne s'est pas déclenchée et après réinitialisation, le bouton est toujours sur ressort.

Remarque !

Lorsque les protections thermiques de sécurité sont déclenchées, vérifier toujours la cause du problème. La durée de vie des résistances tubulaires et du PCA peut être altérée par chaque surchauffe. Une surchauffe répétitive peut être une indication de ce qui suit : Ventilation déficiente ? Volume de la cabine ? Défaut interne du poêle ? Réservoir d'eau mal nettoyé ?

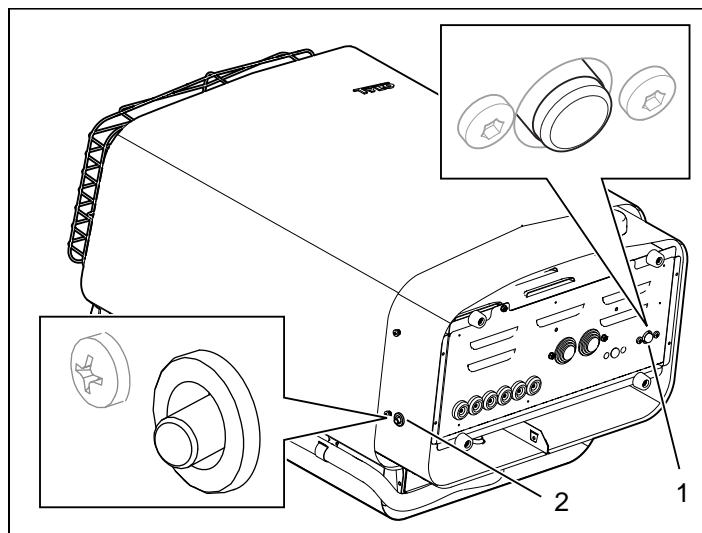


Fig. 9 : Réinitialisation de la protection thermique

1. Protection thermique du réservoir d'eau
2. Protection thermique du poêle de sauna

Dépannage du panneau de commande

Consulter les instructions fournies avec le panneau de commande.

Dépannage du poêle de sauna

Remarque !

Contactez le revendeur pendant la période de garantie en cas de défauts.

Consultez les instructions pour le panneau de commande pour les détails ou défauts non couverts dans cette notice d'utilisation.

Tableau 1 : Dépannage du poêle de sauna

Symptôme	Cause probable	Mesure à prendre
Le poêle fonctionne, à l'exception de la production de vapeur. L'eau bout dans le réservoir.	<ol style="list-style-type: none"> Niveau d'eau incorrect. Niveau d'eau minimum pour sonde de sécurité ? Les paramètres d'humidité sur le panneau de commande ne correspondent pas à l'état de fonctionnement ? Protection thermique du réservoir d'eau déclenchée ? Résistance du poêle dans réservoir défectueuse ? Si la structure du sauna présente une ventilation déficiente en combinaison avec un sauna sec et une température de sauna élevée (fonctionnant sans eau dans le réservoir), la protection thermique peut se déclencher en raison de la température de rayonnement plus élevée dans le poêle. 	<ol style="list-style-type: none"> Remplir le réservoir. Régler l'humidité pour qu'elle corresponde à l'état de fonctionnement du réservoir - consulter la notice du panneau de commande. Réinitialiser la protection thermique. Pour plus d'informations, voir le paragraphe sur la protection thermique à la page 30. Si la fonction de production de vapeur ne fonctionne pas après la réinitialisation, il y a un risque de le réservoir soit endommagé. Consulter un électricien agréé pour le dépannage. Vérifier s'il y a un problème de ventilation possible.
La résistance dans le réservoir à pierres du poêle ne chauffe pas.	<ol style="list-style-type: none"> Les paramètres de température sur le panneau de commande ne correspondent pas à l'état de fonctionnement ? Réservoir d'eau en service ? Seules deux des trois résistances du poêle dans le réservoir à pierres peuvent fonctionner en même temps que le réservoir. Trop de courant serait autrement nécessaire. Ce n'est pas un défaut en dehors du fonctionnement normal. Quelques-uns des fusibles du poêle sur le tableau électrique principal peuvent avoir sauté ? Serpentin dans la résistance du poêle défectueux ? Défaut interne de la carte PCB du poêle ? 	<ol style="list-style-type: none"> Régler la température pour qu'elle corresponde au fonctionnement de la résistance dans le réservoir à pierres. Consulter les instructions fournies avec le panneau de commande. Vérifier et remplacer/réinitialiser les fusibles dans le tableau principal. Consulter un électricien agréé pour le dépannage. Consulter un électricien agréé pour le dépannage.
L'éclairage dans le sauna ne s'allume pas lorsqu'il est actionné sur le panneau de commande.	<ol style="list-style-type: none"> L'éclairage est-il raccordé via le poêle ? Défaut interne de la carte PCB du poêle ? 	<ol style="list-style-type: none"> Vérifier avec un électricien agréé qui a effectué l'installation du poêle/de l'éclairage. Consulter un électricien agréé pour le dépannage.
Le poêle ne fonctionne pas, le panneau de commande ne s'allume pas.	<ol style="list-style-type: none"> L'interrupteur principal est hors tension ? Tous les fusibles du poêle sur le tableau électrique principal peuvent avoir sauté ? Mauvais contact dans le câblage entre le poêle et le panneau de commande ? La sortie de 12 VDC spécifique sur l'une des prises modulaires RS485 de la carte PCB du panneau de commande est défectueuse à cause d'un court-circuit ? Transformateur sur la carte PCB dans le poêle défectueux ? Panneau de commande défectueux ? 	<ol style="list-style-type: none"> Mettre le poêle sous tension au moyen de l'interrupteur principal. Vérifier et remplacer/réinitialiser les fusibles dans le tableau principal. Mettre le poêle hors tension au moyen de l'interrupteur principal et connecter chaque câble/paires de câbles au panneau de commande. Mettre de nouveau le poêle sous tension au moyen de l'interrupteur principal. Si cela ne fonctionne pas, contacter un électricien agréé. Un électricien agréé est exigé pour trouver le défaut, la sortie de 12VDC défectueuse est indiquée par une LED éteinte à côté de la sortie RS485. Remarque : si le défaut se trouve dans le câble RJ10 du panneau de commande, ne pas cliquer sur une prise RS485 vacante valide pour éviter de provoquer un défaut dans cette sortie. Le câble RJ10 doit être remplacé/les contacts montés dans le cas d'un défaut. Consulter un électricien agréé pour le dépannage. Consulter un électricien agréé pour le dépannage.
Le fusible ou le disjoncteur dans le panneau de disjoncteurs du bâtiment se déclenche dès que le poêle est allumé.	<ol style="list-style-type: none"> Il y a un court-circuit au niveau de la mise à la terre du poêle. Peut être dû à une résistance de poêle défectueuse ? Éclairage raccordé à et contrôlé via le poêle défectueux ? Le poêle n'a pas été utilisé pendant une longue période, ce qui provoque un défaut d'isolement dans la résistance ? Trop d'eau versée sur le poêle ? Autre défaut interne du poêle ? 	<ol style="list-style-type: none"> Ne pas utiliser le poêle, mettre hors tension à l'aide du disjoncteur principal et débrancher les fusibles du poêle sur le tableau électrique principal. Consulter un électricien agréé pour le dépannage.

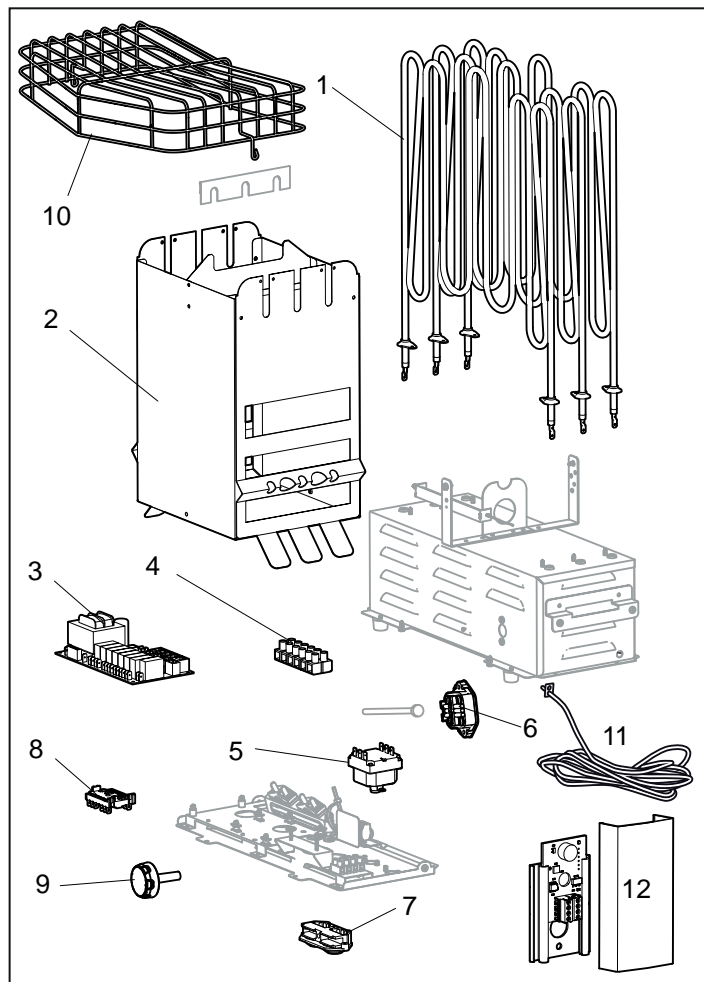


Fig. 10 : Pièces de rechange 1

- | | |
|---|-----------|
| 1. Combi U8 Résistances tubulaires | 3001-924 |
| Combi U7 Résistance tubulaire | 3001-920 |
| 2. Réservoir à pierres | n/a |
| 3. Carte électronique | 9600 0068 |
| 4. Bornier | 9600 0723 |
| 5. Protection thermique du réservoir d'eau | 9600 0002 |
| 6. Protection thermique du poêle de sauna | 3119-607 |
| 7. Connecteur anti-arrachement | 9600 0554 |
| 8. Interrupteur M/A | 9600 0040 |
| 9. Cadran M/A | 9600 0132 |
| 10. Protège-pierres | 8019-541 |
| 11. Sonde NTC - <i>Combi Pure</i> | 9600 0219 |
| 12. Sonde d'humidité et de température - <i>Combi Elite</i> | 9600 0074 |

Conserver la présente notice d'utilisation !

En cas de problèmes éventuels, veuillez vous adresser au point de vente.
© Toute reproduction, intégrale ou partielle, est interdite sans l'autorisation écrite de Tylö. Tylö se réserve le droit de procéder sans préavis à des modifications des matériaux, de la conception et du design.

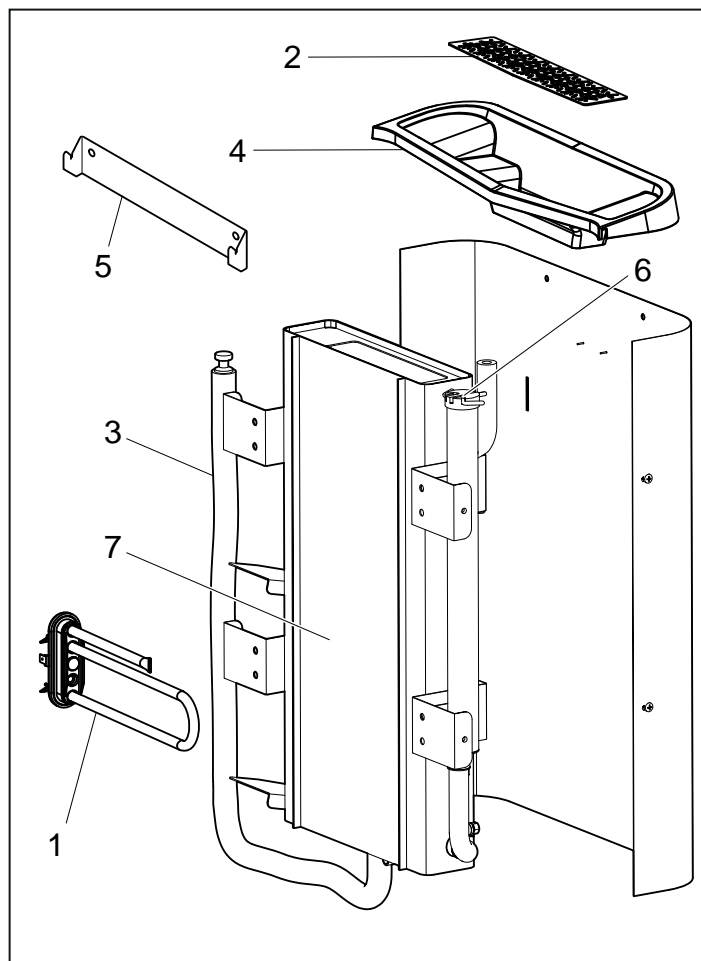


Fig. 11 : Pièces de rechange 2

1. 9600 0223 Résistance tubulaire
2. 9600 0730 Coupelle à herbes aromatiques
3. 9600 0731 Tuyau souple avec raccord
4. 9600 0732 Grille de remplissage
5. 9600 0733 Support mural
6. 9600 0734 Électrodes
7. 9600 0218 Réservoir d'eau

ROHS (RESTRICTION OF HAZARDOUS SUBSTANCES)

Instructions relatives à la protection de l'environnement :
Cet appareil ne doit pas être mis au rebut avec des déchets ménagers. Après utilisation, il devra être pris en charge par un site de recyclage des appareils électriques et électroniques.
Le symbole figurant sur le produit, le manuel d'utilisation ou l'emballage font référence à cette obligation.

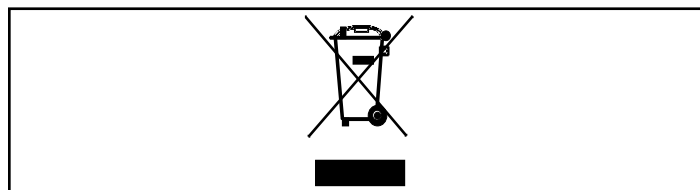


Fig. 12 : Symbole

Les différents matériaux entrant dans sa composition peuvent être recyclés selon le marquage dont ils sont pourvus.
Recycler, réparer ou réutiliser d'une manière quelconque des équipements usagés, c'est contribuer à la protection de notre environnement. L'appareil est à déposer sur le site de recyclage sans pierres et sans le manteau de tuiles éventuel).
Contacter les autorités communales pour connaître le site de recyclage le plus proche.

SCHÉMA DE CÂBLAGE DU POÊLE

