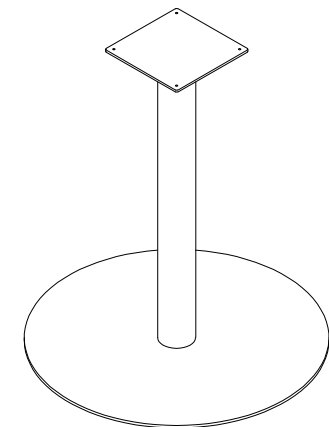
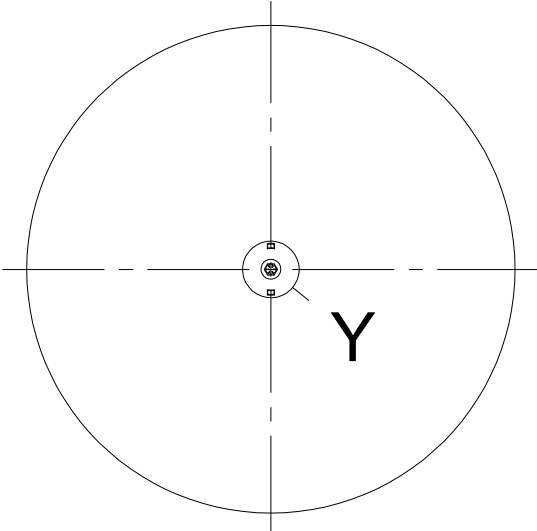
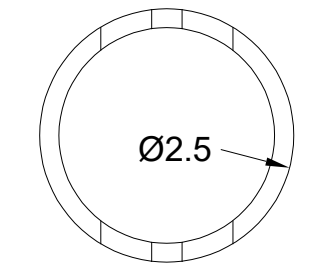
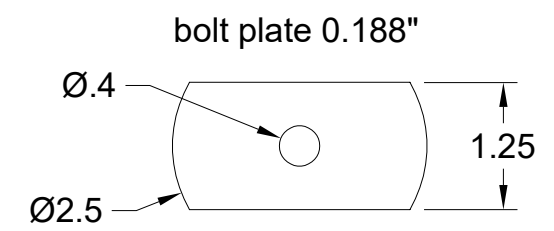
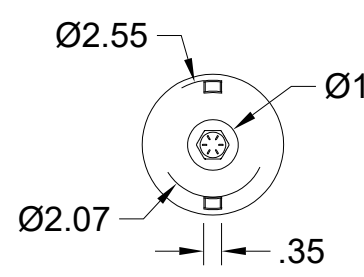


DETAIL Y  
SCALE 1:4



**NOTES:**  
 1. PART TO BE FREE OF BURRS AND SHARP EDGES.  
 2. ALL WELDS TO BE FREE OF SPATTER.

APPROVED		PROJECT		
		DIY Hairpin Legs		
CHECKED		TITLE		
		Ped Base Round		
DRAWN	ZKO	17.5.2023	SCALE 1:16	WEIGHT 46.37 lb
SHEET 1/1		REV 1		