



Date
24/02/99

Drn.By
Steve \$

Title
FULL SAFETY PROD
ULTRA THIN TIP

ISSUE No.

A
24/02/99
INITIAL ISSUE

B
24/02/99
CONTACT S/A REV.

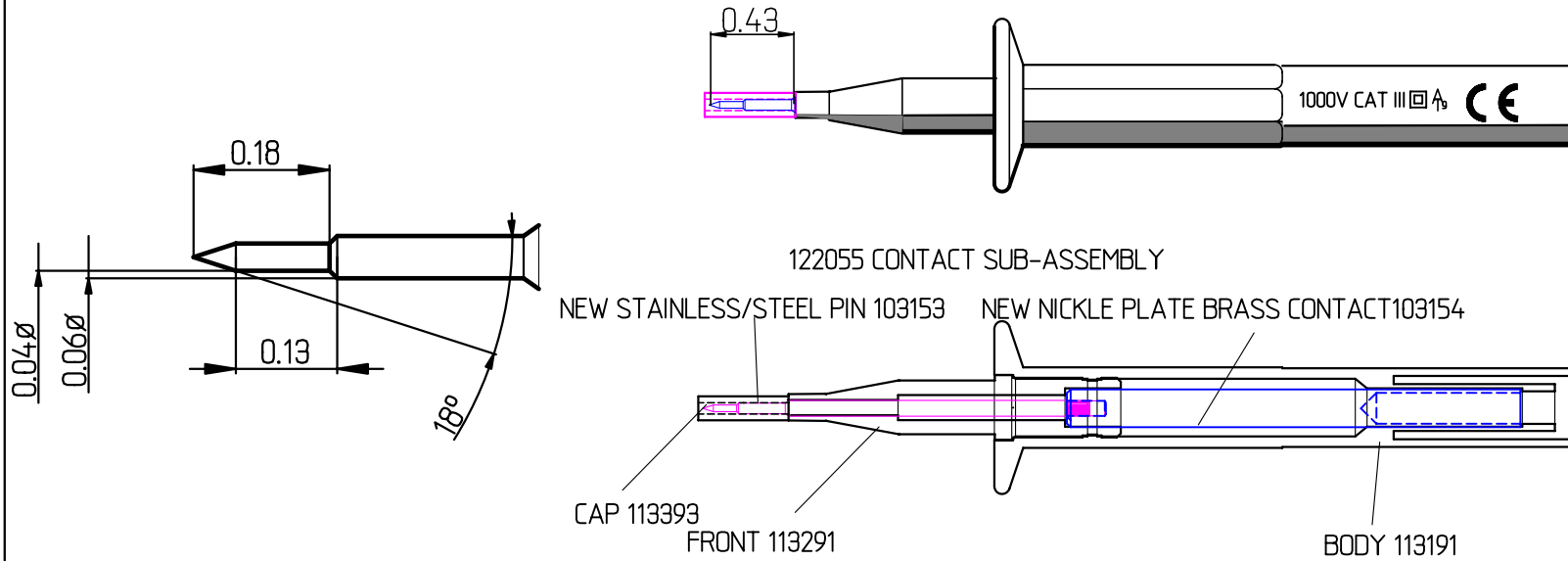
1
11/03/99
PROD. ISSUE

Part No. 121044

This drawing is not to be disclosed to a third party without the authority from the company.©

Scale
FULL SIZE
& 4:1

IEC 1010 RATING:
1000 VOLTS CAT III 30 AMPS MAX. POL DEG. 2



ASSEMBLY JIG NUMBERS
121017=J 099

PACKAGING -----
LABEL: -----

PRINTING AS ILLUSTRATED

TOLERANCES
CABLE LENGTHS +/- 5%

DO NOT SCALE.
ALL DIMENSIONS IN mm.