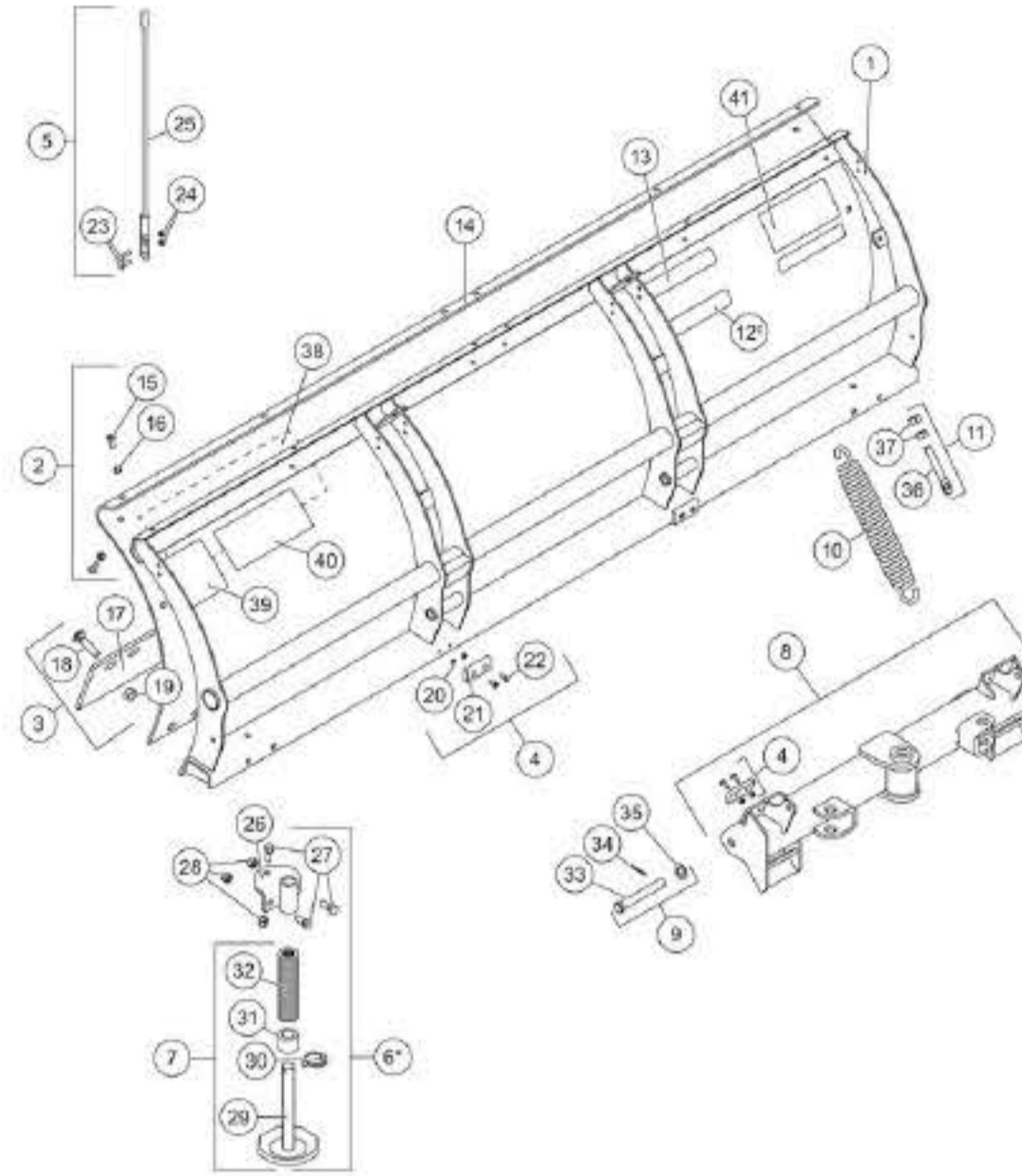


BLADE ASSEMBLY COMPONENTS



LIFT FRAME AND A-FRAME COMPONENTS

UltraMount® FLEET FLEX

UltraMount® 2

