



SNOW PLOW

RT3 SPORT-DUTY
SPORT-DUTY STRAIGHT BLADE PLOWS
PARTS EXPLOSION
2014-2015



WELDMENTS table with parts 1-6A and descriptions like Coupler Assembly, Pushframe Assembly, Blade, etc.

CUTTING EDGE table with parts 5-6C and descriptions like Cutting Edge, Carriage Bolt Set, etc.

PLOW COMPONENTS table with parts 10-18 and descriptions like Kickstand Leg, Light Bar Assembly, Blade Guide, etc.

HYDRAULIC POWER UNIT table with parts 20-21 and descriptions like Hydraulic Pump, Hydraulic Reservoir, etc.

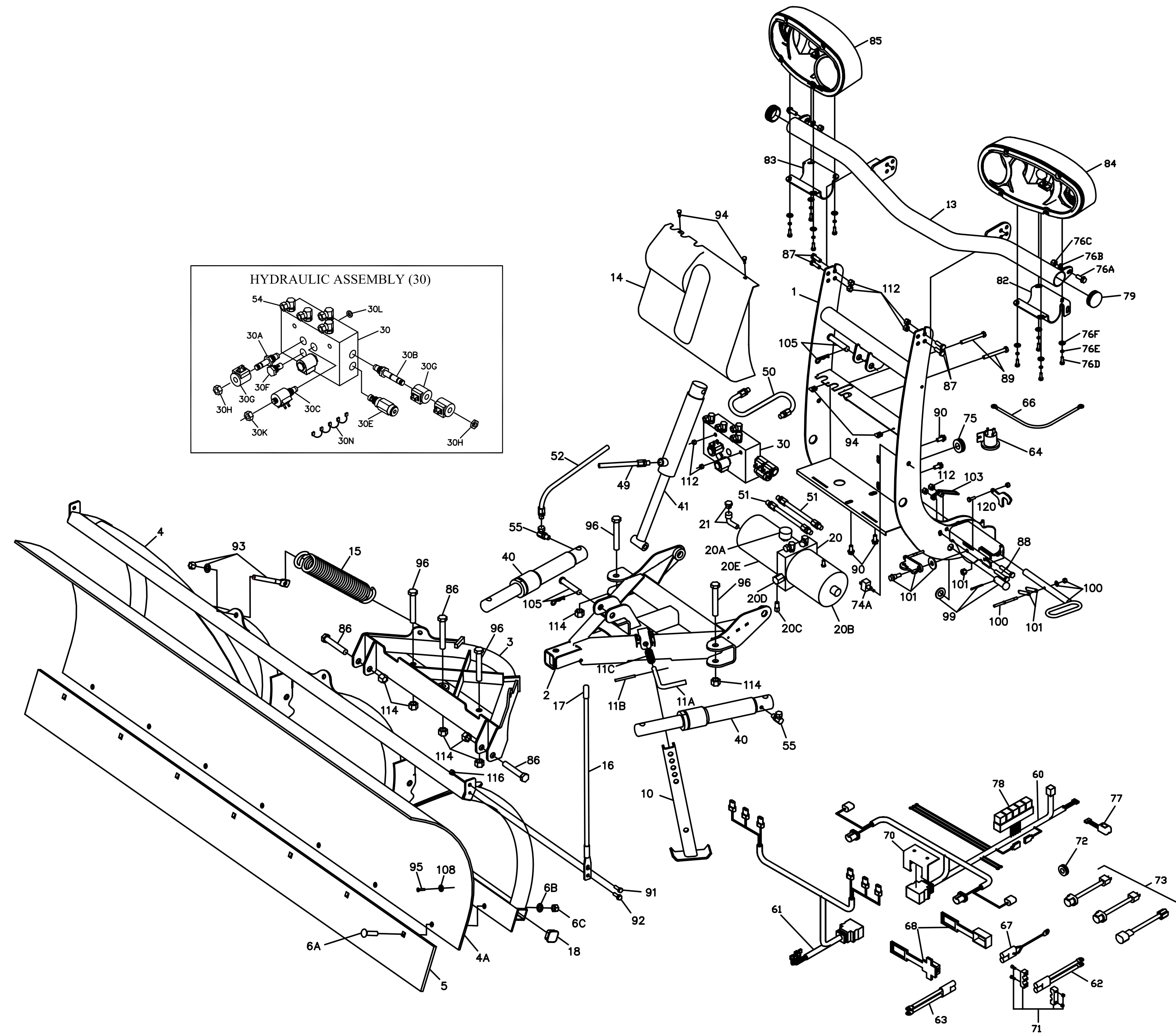
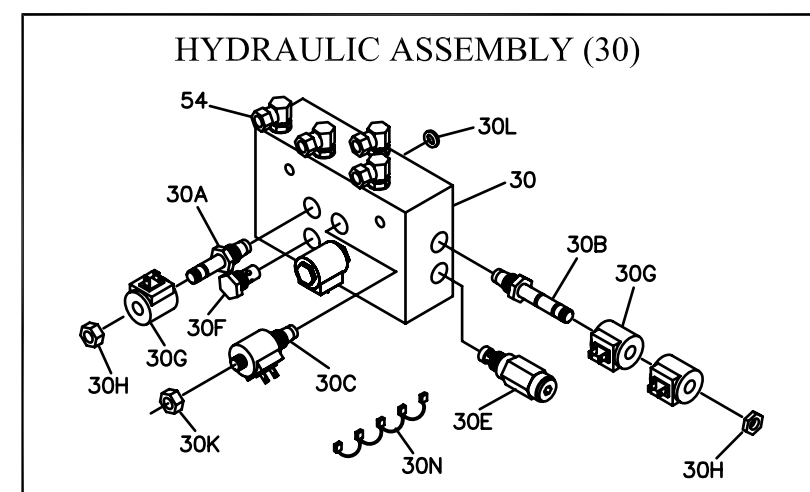
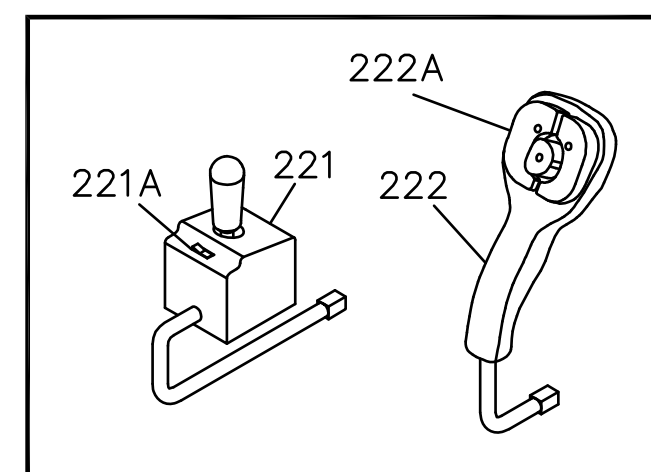
HYDRAULIC VALVE ASSEMBLY table with parts 30-30N and descriptions like Hydraulic Valve, Relief Valve, etc.

CYLINDERS & CYLINDER SEAL KITS table with parts 40-41 and descriptions like Hydraulic Angle Cylinder, Hydraulic Lift Cylinder, etc.

HOSES & FITTINGS table with parts 49-55 and descriptions like Hydraulic Hose, Hydraulic Fitting, etc.

OPTIONS & ACCESSORIES table with parts like Black Touch-Up Spray Paint, Spare Parts Kit, etc.

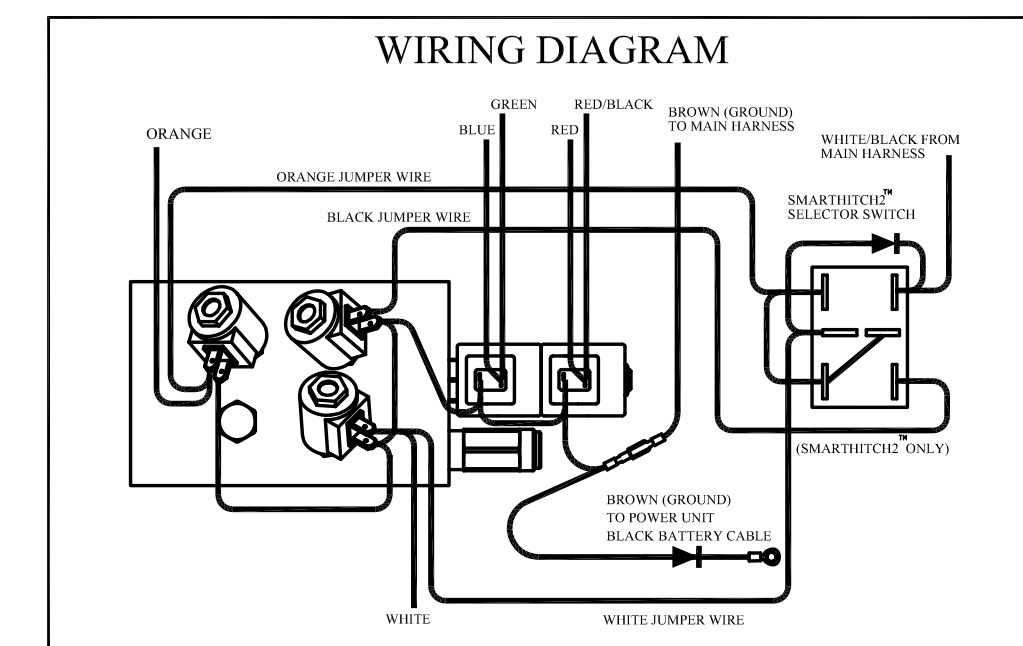
CONTROLLERS table with parts 221-222F and descriptions like Joystick Control, Smart Touch 2, etc.



ELECTRICAL table with parts 60-76 and descriptions like Light and Control Harness, Solenoid, Battery Cable, etc.

BOLTS table with parts 86-96 and descriptions like Hex Head Cap Screw, Nylon Locking YZN, etc.

PINS, NUTS, WASHERS, & OTHER HARDWARE table with parts 99-120 and descriptions like Coupler Pivot Pin, Coupler Spring Pin, etc.



BOSS Products/Northern Star Industries, Inc. reserves the right under its continuous product improvement policy to change construction or design details and furnish equipment when so altered without reference to illustrations or specifications used herein.

This product is covered under one or more of the following patents: 2,137,853 5,568,694 6,035,944 6,108,946 6,134,814 6,170,178 6,467,199 7,437,839 Other Patents Pending