



SNOW PLOW

POWER-V DXT
POWER-V DXT & MUNICIPAL POWER-V DXT PLOWS
PARTS EXPLOSION
2013-2014



Table listing parts and their corresponding part numbers, organized by categories: WELDMENTS, BLADES, BASE ANGLES, SNOW CATCHERS, CUTTING EDGES, PLOW COMPONENTS, HYDRAULIC POWER UNIT, HYDRAULIC VALVE ASSEMBLY, CYLINDERS & CYLINDER SEAL KITS, HOSES & FITTINGS, ELECTRICAL, and OPTIONS & ACCESSORIES.

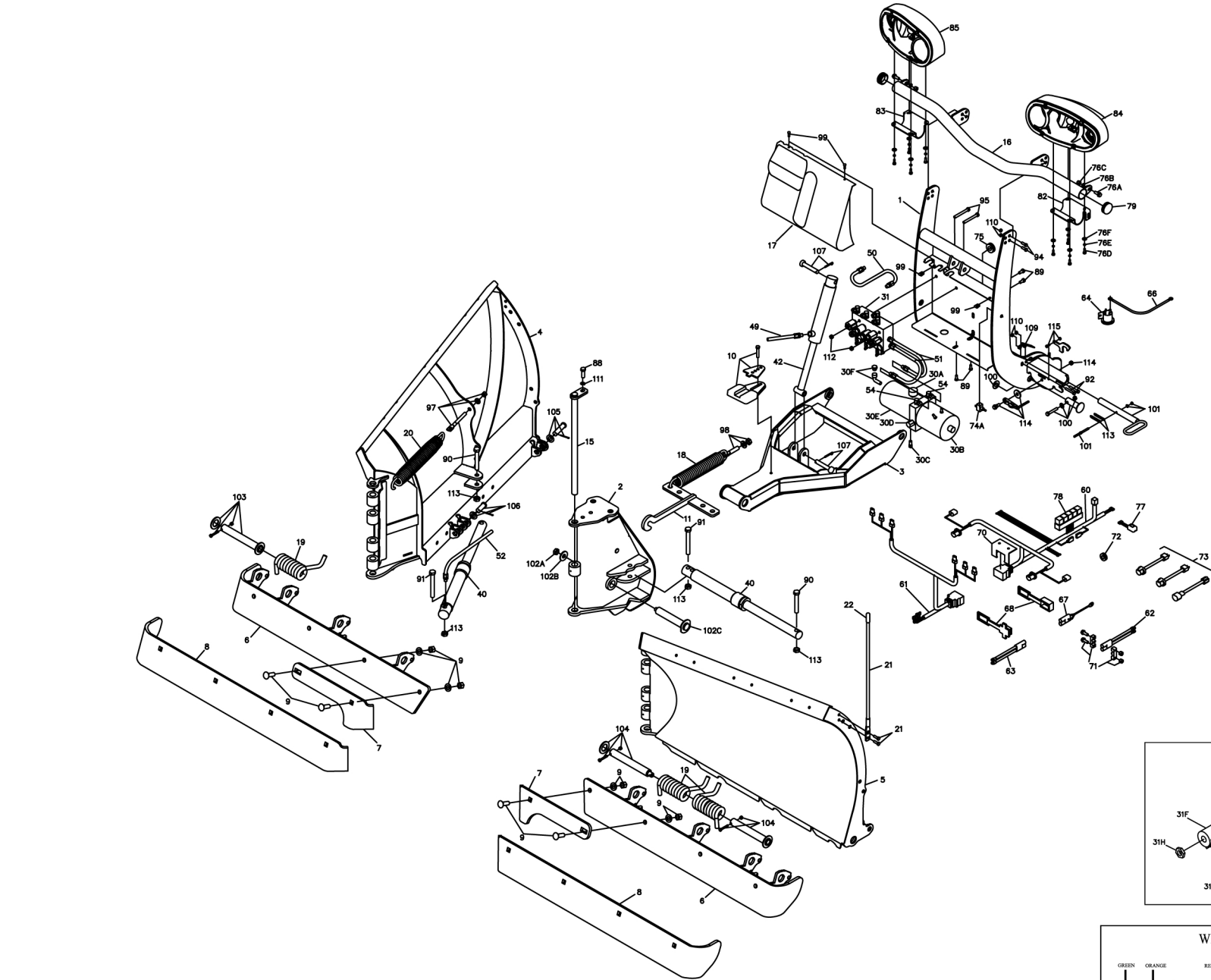


Table listing parts and their corresponding part numbers, organized by categories: BOLTS, PINS, NUTS, WASHERS, & OTHER HARDWARE, CONTROLLERS, and WIRING DIAGRAM.

BOSS Products/Northern Star Industries, Inc. reserves the right under its continuous product improvement policy to change construction or design details and furnish equipment when so altered without reference to illustrations or specifications used herein.