



S N O W P L O W

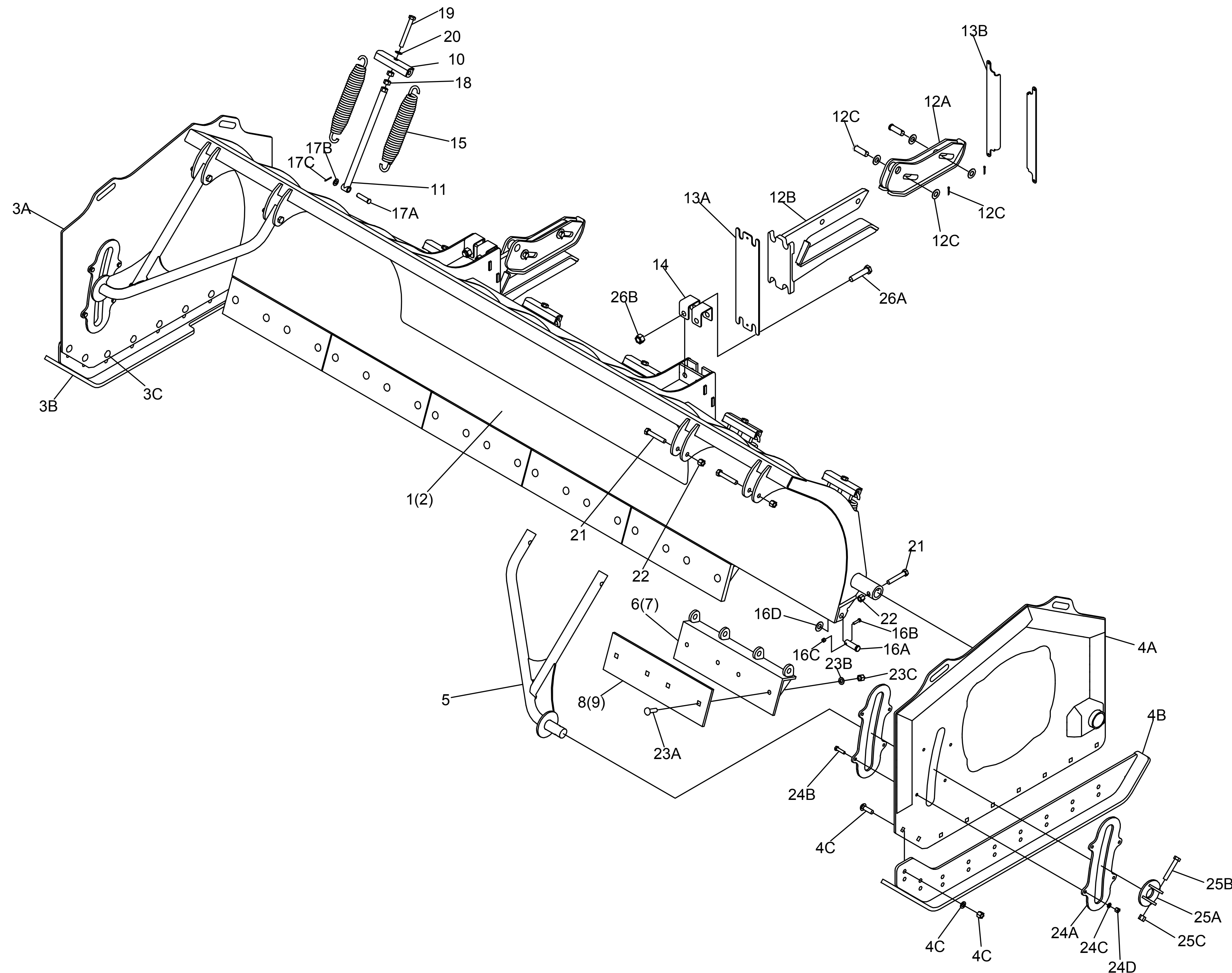
LDR14 & LDR16 BOX PLOWS

PARTS EXPLOSION

2014-2015



MAIN ASSEMBLIES		
1	Blade w/ Base Angle Assy, 14'	BXP16542
2	Blade w/ Base Angle Assy, 16'	BXP16543
3	Wing w/ Shoe, RH	BXP16545
3A	Includes: (1) Wing, RH	BXP16766
3B	(1) Shoe, RH	BXP16792
3C	Shoe, Hardware Kit, LDR	HDW16845
	Includes: (9) Bolt, Carriage, 3/4"-10x2-1/2", GR5, BLK ZN	
	(9) Washer, 3/4", Flat, YZN	
	(9) Nut, 3/4"-10, Nylon Insert, YZN	
4	Wing w/ Shoe, LH	BXP16544
4A	Includes: (1) Wing, LH	BXP16765
4B	(1) Shoe, LH	BXP16791
4C	Shoe, Hardware Kit, LDR	HDW16845
	Includes: (9) Bolt, Carriage, 3/4"-10x2-1/2", GR5, BLK ZN	
	(9) Washer, 3/4", Flat, YZN	
	(9) Nut, 3/4"-10, Nylon Insert, YZN	
5	Wing Brace Arm	BXP16812
BLADE COMPONENTS		
6	Base Angle, 14'	BXP16548
7	Base Angle, 16'	BXP16549
8	Cutting Edge, 14'	BXP16832
9	Cutting Edge, 16'	BXP16833
10	Upper T-Lever Assembly	BXP16715
11	Lower T-Lever Assembly	BXP16820
HITCH COMPONENTS		
12	Bucket Fork Assembly	BXP16797
12A	Includes: (1) Upper Slider	BXP16798
12B	(1) Lower Base	BXP16799
12C	(1) Adj. Fork Hardware Kit	HDW16860
	Includes: (2) Clevis Pin, 1"x3", 3/16" Hole	
	(4) Washer, 1", Flat, YZN	
	(2) Cotter Pin, 3/16"x1-1/2", YZN	
13	Wear Shim, Kit	BXP16846
13A	Includes: (1) Shim Plate, Back	BXP16723
13B	(2) Shim Plate, Side	BXP16724
14	Hitch Cap	BXP16722
BLADE HARDWARE		
15	Spring, Trip	MSC17569
16	RT3 Pivot Pin Kit	MSC04251
16A	Includes: (1) Pivot Pin 1"x3", YZN	
16B	(1) Hex Head Cap Screw, 3/8"-16 x 1-1/2", GR5, YZN	
16C	(1) Nut, 3/8"-16, Nylon Insert, YZN	
16D	(1) Washer, 1", YZN	
17	T-Lever Pivot Pin Kit	TRP07876
17A	Includes: (1) Clevis Pin 3/4"x3", YZN	
17B	(1) Washer, 3/4" USS Flat, YZN	
17C	(1) Cotter Pin, 1/8"x1-1/2", YZN	
18	Nut, Jam, 3/4"-10, YZN	HDW05617
19	Hex Head Cap Screw, 3/4"-10x6", Full, GR5, YZN	HDW05616
20	Washer, 3/4", Flat, YZN	HDW01722
21	Hex Head Cap Screw, 3/4"-10x4", GR5, YZN	HDW03046
22	Nut, 3/4"-10, Nylon Insert, YZN	HDW03037
23	Cutting Edge Fastener Kit	HDW16925
23A	Includes: (4) Bolt, Carriage, 3/4"-10x2-1/2", GR5, BLK ZN	
23B	(4) Washer, 3/4" Flat, Hardened, YZN	
23C	(4) Nut, 3/4"-10, Nylon Insert, YZN	
WING HARDWARE		
24	Wear Plate Kit	BXP16930
24A	Includes: (2) Wear Plate	BXP16827
24B	(4) Hex Head Cap Screw, 1/2"-13x2", GR5, YZN	
24C	(4) Washer, 1/2", Flat, YZN	
24D	(4) Nut, 1/2"-13, Nylon Insert, YZN	
25	Wing Arm Bushing Kit	BXP16935
25A	Includes: (1) Wing Arm Bushing	BXP16818
25B	(1) Hex Head Cap Screw, 3/4"-10x4-1/2", GR5, YZN	
25C	(1) Nut, 3/4"-10, Nylon Insert, YZN	
HITCH HARDWARE		
26	Bucket Hitch Hardware Kit	HDW16870
26A	Includes: (4) Hex Head Cap Screw, 1"-8x4-1/2", GR8, YZN	
26B	(4) Nut, 1"-8, Top Lock, YZN	



SLS16999-0

BOSS Products/Northern Star Industries, Inc. reserves the right under its continuous product improvement policy to change construction or design details and furnish equipment when so altered without reference to illustrations or specifications used herein.