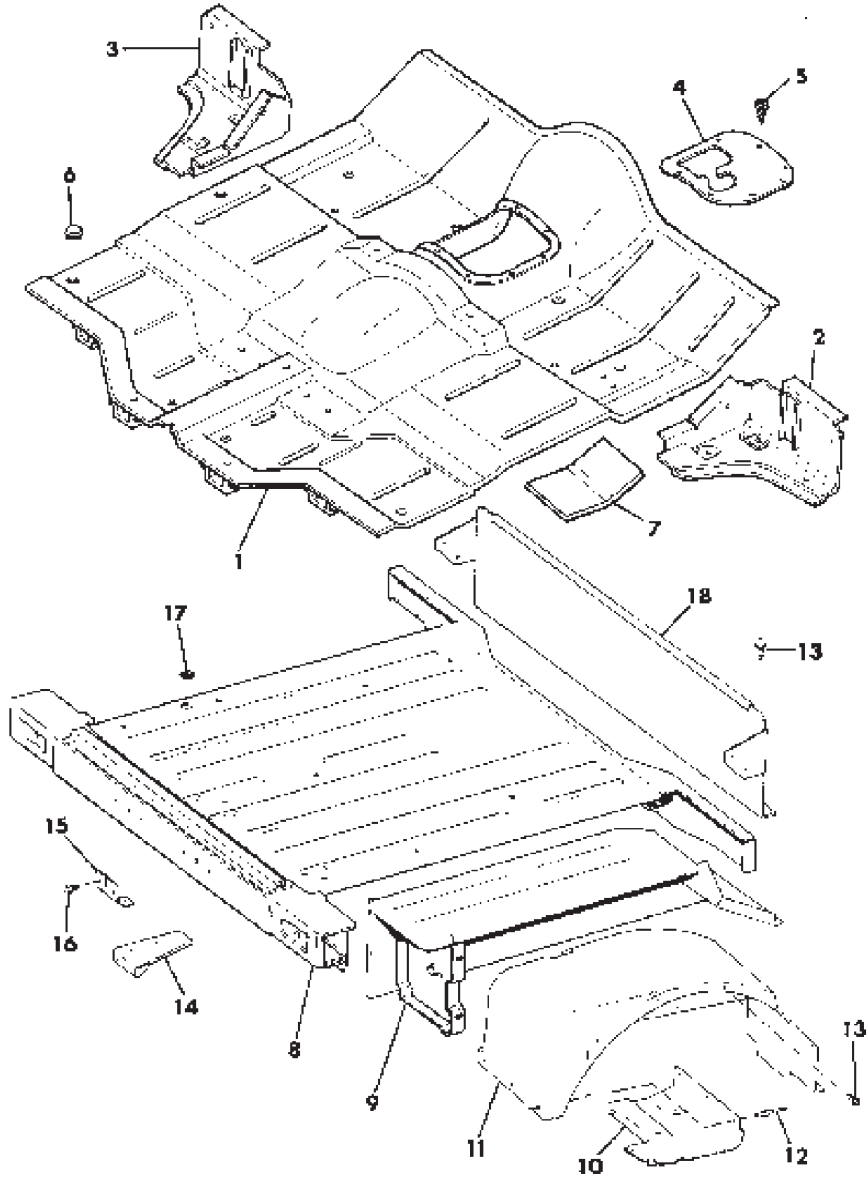


PAN, FLOOR FRONT AND REAR WRANGLER, YJ
Figure 23A-100

BJ69100



ITEM	PART NUMBER	QTY	BODY	MODEL	DESCRIPTION
1	5505 0016	1			PAN, Front Floor
2-3	5501 0914-5	1			BRACKET, Body
4					COVER, Floor Pan
	5505 0141	1			w/Auto. Trans.
	5505 0142	1			w/Manual Trans.
5	J400 6444	7			SCREW
6	5500 6578	11			PLUG
7	5501 5268	1			SHIELD, Heat
8	5505 0021	1			PAN, Rear Floor
9					WHEELHOUSE ASSEMBLY ***
	5501 0578	1			Right
	5501 0579	1			Left 1987-88
	5502 0523	1			Left 1989-90
10	5500 9592-3	1			SHIELD, Splash
11	5500 9590-1	1			PANEL, Inner Protection
12	3420 1631	AR			RIVET
13	J943 1948	AR			SCREW
14	5500 6578	2			PLUG
15	5502 5238	1			PANEL, Load Barrier ECE

(ECE) Emission Controlled European. (A) For 1987, two types of instrument clusters were used. On type one, Clusters, the odometer numbers are rounded, the Speedometer face has (2) slotte

MODEL CODES:

15 = Grand Wagoneer 4 Dr.	65 = Comanche 4WD-7 Ft. Box	77 = Cherokee 4WD-2 Dr.
25 = J-10 Pickup-119" W.B.	66 = Comanche 2WD-7 Ft. Box	78 = Cherokee 4WD-4 Dr.
26 = J-10 Pickup-131" W.B.	73 = Cherokee 2WD-2 Dr.	79 = Cherokee 4WD-4 Dr.-Com
27 = J-20 Pickup-131" W.B.	74 = Cherokee 2WD-4 Dr.	81 = Wrangler-93" W.B.
63 = Comanche 4WD-6 Ft. Box	75 = Wagoneer 4WD-4 Dr.	82 = Wrangler-103" W.B.-Exp.
64 = Comanche 2WD-6 Ft. Box		

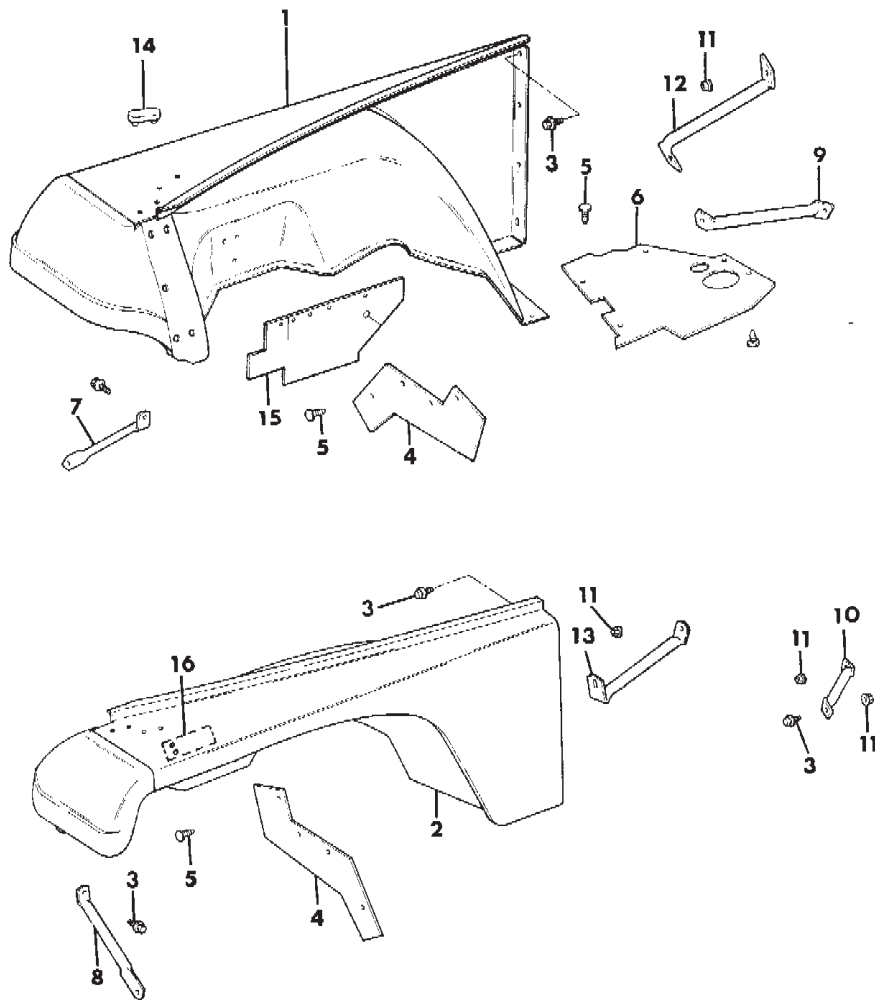
BODY STYLES:

MJ = Comanche Pickup
 SJ = Grand Wagoneer Wgn., J-10 & J-20 Pickups
 XJ = Cherokee, Wagoneer Limited
 YJ = Wrangler

AR = Use as Required - = Non Illustrated Part P.A.R. = Paint as Required

FENDERS, FRONT WRANGLER, YJ
Figure 23A-200

8J69 200 A



ITEM	PART NUMBER	QTY	BODY	MODEL	DESCRIPTION
1-2					FENDER
	5501 3514-5	1			1987-89
	5502 7294-5	1			1990
3	J400 4455	AR			SCREW
4	5501 0840	2			SHIELD, Splash
5	J400 4919	AR			FASTENER
6	5501 0838	2			SHIELD, Splash
7-8					SUPPORT
	5505 0146-7	1			1987-89
	5502 6584-5	1			1990
9-10	5505 0050-1	1			SUPPORT
11	J012 0376	AR			NUT
12	5505 0052	1			SUPPORT, Right
13	5505 0049	1			SUPPORT, Left
14	J400 7541	2			BUMPER
15	5501 9470	2			SHIELD, Splash
16	5501 0948	1			PLATE, Horn Bracket
17	5501 3193	1			REINFORCEMENT, Battery Tray Support

MODEL CODES:
 15 = Grand Wagoneer 4 Dr. 65 = Comanche 4WD-7 Ft. Box 77 = Cherokee 4WD-2 Dr.
 25 = J-10 Pickup-119" W.B. 66 = Comanche 2WD-7 Ft. Box 78 = Cherokee 4WD-4 Dr.
 26 = J-10 Pickup-131" W.B. 73 = Cherokee 2WD-2 Dr. 79 = Cherokee 4WD-4 Dr.-Com
 27 = J-20 Pickup-131" W.B. 74 = Cherokee 2WD-4 Dr. 81 = Wrangler-93" W.B.
 63 = Comanche 4WD-6 Ft. Box 75 = Wagoneer 4WD-4 Dr. 82 = Wrangler-103" W.B.-Exp.
 64 = Comanche 2WD-6 Ft. Box

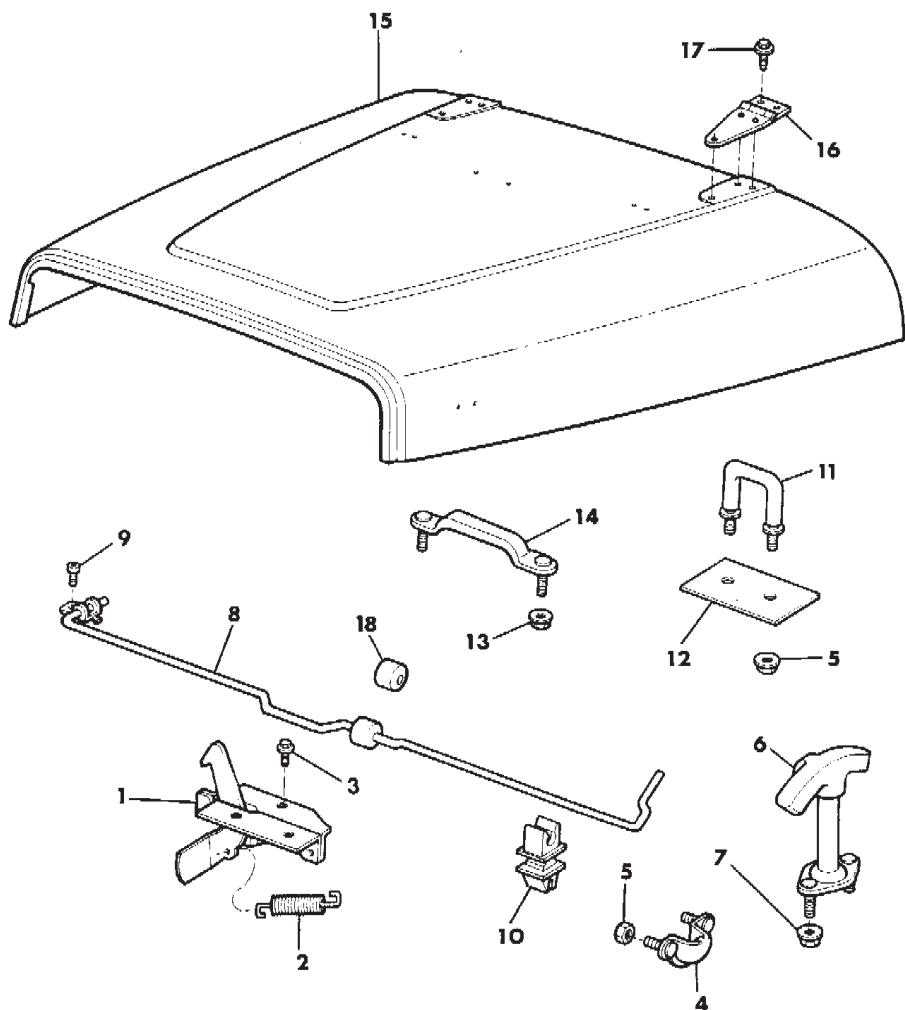
BODY STYLES:
 MJ = Comanche Pickup
 SJ = Grand Wagoneer Wgn., J-10 & J-20 Pickups
 XJ = Cherokee, Wagoneer Limited
 YJ = Wrangler

AR = Use as Required - = Non Illustrated Part P.A.R. = Paint as Required

HOOD, LOCK AND CATCHES WRANGLER, YJ

Figure 23A-300

8J69 300



ITEM	PART NUMBER	QTY	BODY	MODEL	DESCRIPTION
1	5500 6868	1			LOCK ASSEMBLY, Hood ***
2	J097 8984	1			SPRING
3	J400 6393	3			SCREW
4	5500 9343	2			BRACKET
5	J027 1172	8			NUT
6	5500 9428	2			CATCH
7	J400 4588	4			NUT
8	5505 0155	1			ROD
9	J400 5969	2			SCREW
10	J400 7456	1			RETAINER
11	J813 4315	2			BUMPER
12	J068 9294	2			REINFORCEMENT
13					NUT
	J400 7630	2			1987-89
	6025 001	2			1990
14	5500 9342	1			LOOP, Footman
15	5501 3508	1			HOOD
16					HINGE, Hood
	5501 6588	2			1987-89
	5503 3954	2			1990
17	J400 7530	10			SCREW
18	5500 2258	1			BUMPER, Hood Support Rod

MODEL CODES:

15 = Grand Wagoneer 4 Dr.	65 = Comanche 4WD-7 Ft. Box	77 = Cherokee 4WD-2 Dr.
25 = J-10 Pickup-119" W.B.	66 = Comanche 2WD-7 Ft. Box	78 = Cherokee 4WD-4 Dr.
26 = J-10 Pickup-131" W.B.	73 = Cherokee 2WD-2 Dr.	79 = Cherokee 4WD-4 Dr.-Com
27 = J-20 Pickup-131" W.B.	74 = Cherokee 2WD-4 Dr.	81 = Wrangler-93" W.B.
63 = Comanche 4WD-6 Ft. Box	75 = Wagoneer 4WD-4 Dr.	82 = Wrangler-103" W.B.-Exp.
64 = Comanche 2WD-6 Ft. Box		

BODY STYLES:

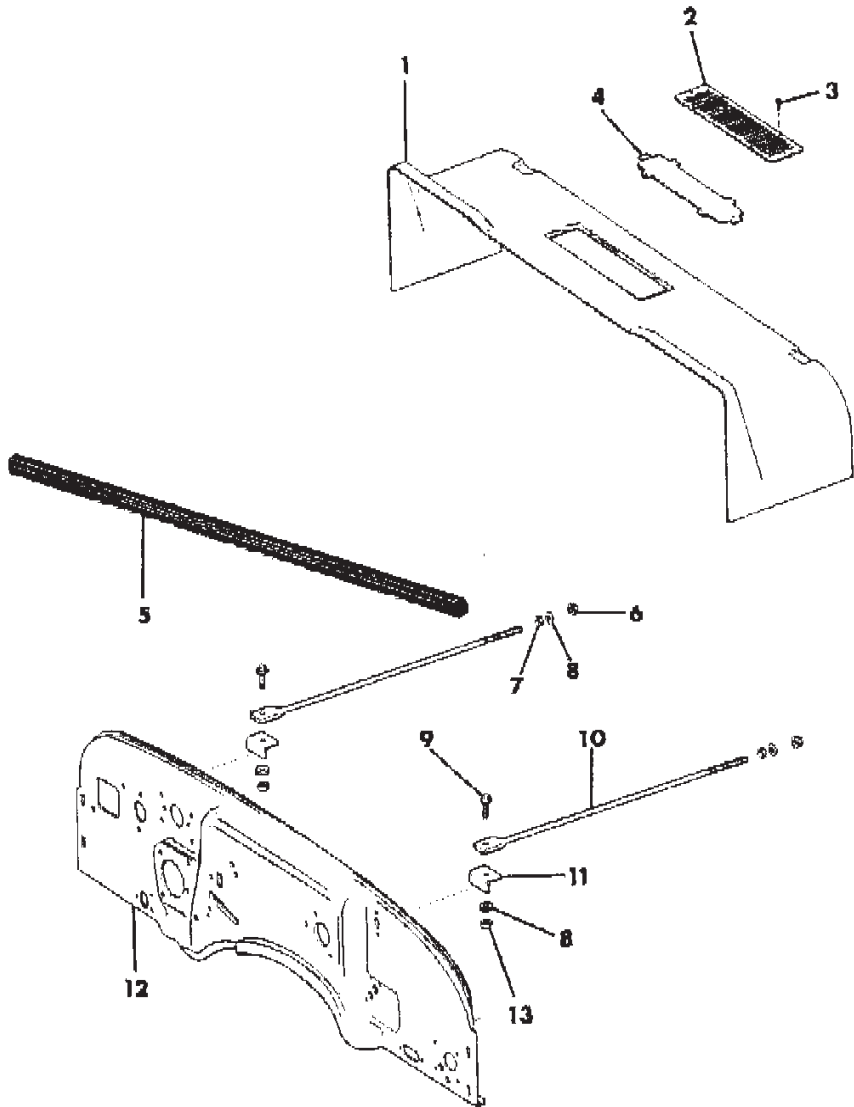
MJ = Comanche Pickup
 SJ = Grand Wagoneer Wgn., J-10 & J-20 Pickups
 XJ = Cherokee, Wagoneer Limited
 YJ = Wrangler

AR = Use as Required - = Non Illustrated Part P.A.R. = Paint as Required

PANELS, COWL DASH WRANGLER, YJ
Figure 23A-350

8J69 350

ITEM	PART NUMBER	QTY	BODY	MODEL	DESCRIPTION
1	5700 1485	1			PANEL, Cowl
2	J546 2438	1			GRILLE, Cowl Top
3	J812 3288	6			SCREW
4	5501 6164	1			SCREEN, Grille
5	5500 8119	1			WEATHERSEAL ***
6	J012 0369	2			NUT, Hex
7	J400 6681	2			NUT
8	J400 1104	4			WASHER
9	J080 8319	2			BOLT
10	5505 0119	2			ROD
11	J098 7066	2			BRACKET
12					PANEL, Dash
	5505 0012	1			1987-89
	5502 6903	1			1990
13	J012 0368	2			NUT, Hex



MODEL CODES:

15 = Grand Wagoneer 4 Dr.	65 = Comanche 4WD-7 Ft. Box	77 = Cherokee 4WD-2 Dr.
25 = J-10 Pickup-119" W.B.	66 = Comanche 2WD-7 Ft. Box	78 = Cherokee 4WD-4 Dr.
26 = J-10 Pickup-131" W.B.	73 = Cherokee 2WD-2 Dr.	79 = Cherokee 4WD-4 Dr.-Com
27 = J-20 Pickup-131" W.B.	74 = Cherokee 2WD-4 Dr.	81 = Wrangler-93" W.B.
63 = Comanche 4WD-6 Ft. Box	75 = Wagoneer 4WD-4 Dr.	82 = Wrangler-103" W.B.-Exp.
64 = Comanche 2WD-6 Ft. Box		

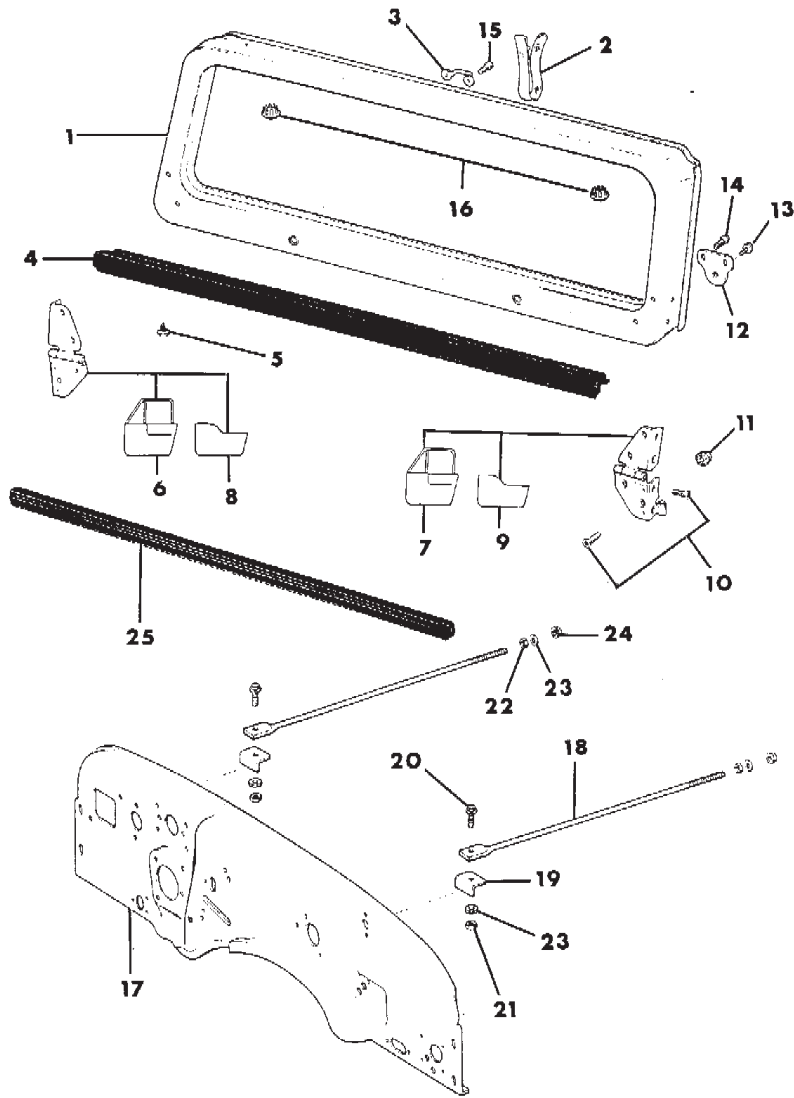
BODY STYLES:

MJ = Comanche Pickup
 SJ = Grand Wagoneer Wgn., J-10 & J-20 Pickups
 XJ = Cherokee, Wagoneer Limited
 YJ = Wrangler

AR = Use as Required - = Non Illustrated Part P.A.R. = Paint as Required

WINDSHIELD FRAME AND HINGES WRANGLER, YJ
Figure 23A-400

8 J 69 400



ITEM	PART NUMBER	QTY	BODY	MODEL	DESCRIPTION
1	5502 3067	1			FRAME, Windshield
	J805 2278	1			w/World Cab, Export (Not Serv.)
2	J545 8890	2			STRAP, Windshield
3					LOOP, Footman
	5501 3666	1			Black
	5501 3667	1			Chrome
4	J545 3950	1			SEAL, Windshield To Cowl
5	J400 4171	9			SCREW
6-7	5501 6586-7				HINGE, Windshield and Door
8-9					HINGE, Windshield and Door
	5501 7510-1	1			w/windshield hinge mounted mirror
	5501 6586-7	1			w/upper door hinge mounted mirror
10	J400 4956	16			SCREW
11	J012 0376	8			NUT
12	J545 3945	2			BRACKET, Windshield Hold Down
13	J400 7481	2			SCREW
14	J400 7220	4			SCREW
15					SCREW
	J400 4995	2			1987-89
	J400 4969	2			1990
16	J043 2453	2			PLUG

MODEL CODES:

15 = Grand Wagoneer 4 Dr.	65 = Comanche 4WD-7 Ft. Box	77 = Cherokee 4WD-2 Dr.
25 = J-10 Pickup-119" W.B.	66 = Comanche 2WD-7 Ft. Box	78 = Cherokee 4WD-4 Dr.
26 = J-10 Pickup-131" W.B.	73 = Cherokee 2WD-2 Dr.	79 = Cherokee 4WD-4 Dr.-Com.
27 = J-20 Pickup-131" W.B.	74 = Cherokee 2WD-4 Dr.	81 = Wrangler-93" W.B.
63 = Comanche 4WD-6 Ft. Box	75 = Wagoneer 4WD-4 Dr.	82 = Wrangler-103" W.B.-Exp.
64 = Comanche 2WD-6 Ft. Box		

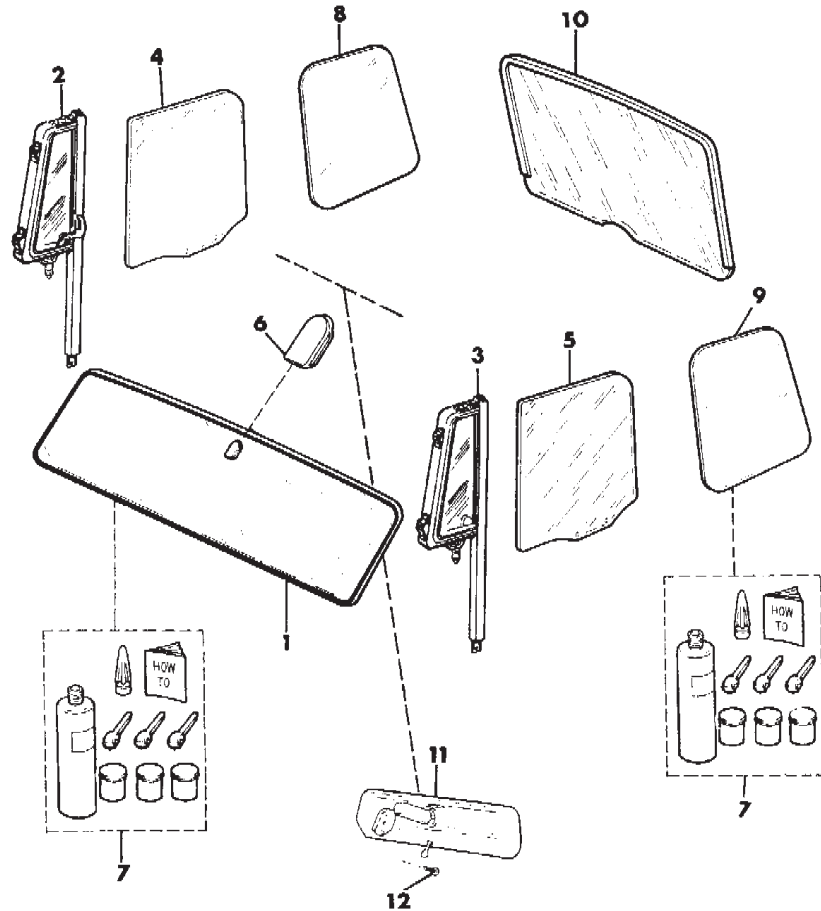
BODY STYLES:

MJ = Comanche Pickup
 SJ = Grand Wagoneer Wgn., J-10 & J-20 Pickups
 XJ = Cherokee, Wagoneer Limited
 YJ = Wrangler

AR = Use as Required - = Non Illustrated Part P.A.R. = Paint as Required

GLASS, MIRROR, INSIDE REAR VIEW LESS WORLD CAB WRANGLER, YJ
Figure 23A-500

8J69 500



ITEM	PART NUMBER	QTY	BODY	MODEL	DESCRIPTION
1	5501 0619	1			GLASS, Windshield w/tinted glass
2-3	5501 2914-5	1			VENT, Pivoting w/tinted glass
4-5	5502 2404-5	1			GLASS, Door Tinted
6	J365 7374	1			SUPPORT, Inside Rear View Mirror Mounting (a)
7	8310 0051	1			MOUNTING PACKAGE, Windshield ***
8-9					GLASS, Quarter w/tinted glass
	5500 8266-7	1			Green
	5500 8270-1	1			Gray
	5500 8268-9	1			Bronze
10					GLASS, Lift Door w/tinted glass
	8350 2987	1			w/o Rear Window Defogger
	8350 2988	1			w/ Rear Window Defogger
11	5500 9784	1			MIRROR, Inside Rear View
12	J400 5766	1			SCREW

(a) The Mirror Support is replacing Mirror Mounting Kit. When installing a Mirror Support, use Mounting Repair Kit 4293039. (A) For 1987, two types of instrument clusters were used. On type one, Clusters, the odometer numbers are rounded, the Speedometer

MODEL CODES:

15 = Grand Wagoneer 4 Dr.	65 = Comanche 4WD-7 Ft. Box	77 = Cherokee 4WD-2 Dr.
25 = J-10 Pickup-119" W.B.	66 = Comanche 2WD-7 Ft. Box	78 = Cherokee 4WD-4 Dr.
26 = J-10 Pickup-131" W.B.	73 = Cherokee 2WD-2 Dr.	79 = Cherokee 4WD-4 Dr.-Com
27 = J-20 Pickup-131" W.B.	74 = Cherokee 2WD-4 Dr.	81 = Wrangler-93" W.B.
63 = Comanche 4WD-6 Ft. Box	75 = Wagoneer 4WD-4 Dr.	82 = Wrangler-103" W.B.-Exp.
64 = Comanche 2WD-6 Ft. Box		

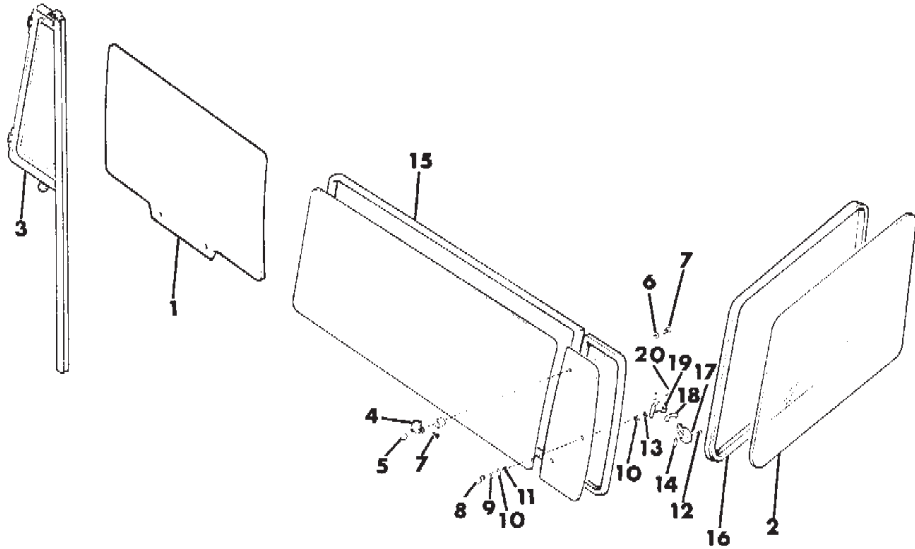
BODY STYLES:

MJ = Comanche Pickup
 SJ = Grand Wagoneer Wgn., J-10 & J-20 Pickups
 XJ = Cherokee, Wagoneer Limited
 YJ = Wrangler

AR = Use as Required - = Non Illustrated Part P.A.R. = Paint as Required

GLASS WITH WORLD CAB, EXPORT WRANGLER, YJ
Figure 23A-600

8J69 600



ITEM	PART NUMBER	QTY	BODY	MODEL	DESCRIPTION
1					GLASS, Door
	J556 7898	1			Right
	J556 7897	1			Left
2	J805 2574	1			GLASS, Door
3	J576 2326-7	1			VENT, Pivoting
4	9500 0617	4			HINGE
5	J805 2419	4			BUSHING
6	J805 2417	4			CAP
7	J805 2457	8			SCREW
8	J364 6215	2			STUD
9	J400 3578	2			WASHER, Wave
10	J364 6217	8			WASHER
11	J364 6218	2			WASHER
12	J805 2418	4			SCREW
13	J400 4570	2			NUT
14	J812 0648	2			PIN, Spring
15					WEATHERSTRIP, Quarter Glass
	J805 2187	1		81	Vehicles with 93" wheelbase (Not Serv.)
	J805 2163	1		82	Vehicles with 103" wheelbase (Not Serv.)
16	J805 2122	1			WEATHERSTRIP, Fixed Glass
17	J805 2439	1			BRACKET, Flipper Window
18	J364 6461	1			LINK, Flipper Window
19	J364 6460	1			HANDLE, Flipper Window
20	J812 0648	2			PIN

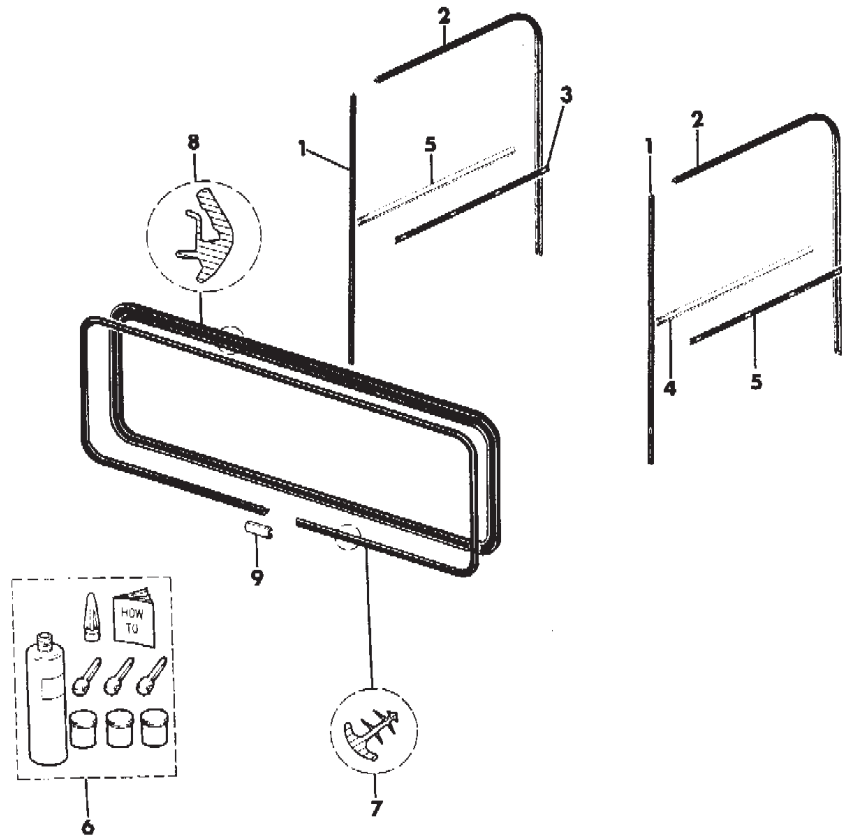
MODEL CODES:
 15 = Grand Wagoneer 4 Dr. 65 = Comanche 4WD-7 Ft. Box 77 = Cherokee 4WD-2 Dr.
 25 = J-10 Pickup-119" W.B. 66 = Comanche 2WD-7 Ft. Box 78 = Cherokee 4WD-4 Dr.
 26 = J-10 Pickup-131" W.B. 73 = Cherokee 2WD-2 Dr. 79 = Cherokee 4WD-4 Dr.-Com
 27 = J-20 Pickup-131" W.B. 74 = Cherokee 2WD-4 Dr. 81 = Wrangler-93" W.B.
 63 = Comanche 4WD-6 Ft. Box 75 = Wagoneer 4WD-4 Dr. 82 = Wrangler-103" W.B.-Exp.
 64 = Comanche 2WD-6 Ft. Box

BODY STYLES:
 MJ = Comanche Pickup
 SJ = Grand Wagoneer Wgn., J-10 & J-20 Pickups
 XJ = Cherokee, Wagoneer Limited
 YJ = Wrangler

AR = Use as Required - = Non Illustrated Part P.A.R. = Paint as Required

SEALS, WINDOW WRANGLER, YJ
Figure 23A-700

8J69 700



ITEM	PART NUMBER	QTY	BODY	MODEL	DESCRIPTION
1	J813 4851	2			WEATHERSTRIP, Glass Run
2	J545 7057	2			CHANNEL, Glass Run
	J556 8181	2			w/Full Metal Cab, Export
3	J576 2384	1			WEATHERSTRIP, Inner
4	J576 2385	1			WEATHERSTRIP, Inner
5	5502 4254-5	1			WEATHERSTRIP
6	8310 0051	AR			MOUNTING PACKAGE, Windshield ***
7	5501 0655	1			MOULDING, Windshield Reveal
8	5501 9988	1			MOULDING, Garnish
9	5500 9625	1			CAP

MODEL CODES:

15 = Grand Wagoneer 4 Dr.	65 = Comanche 4WD-7 Ft. Box	77 = Cherokee 4WD-2 Dr.
25 = J-10 Pickup-119" W.B.	66 = Comanche 2WD-7 Ft. Box	78 = Cherokee 4WD-4 Dr.
26 = J-10 Pickup-131" W.B.	73 = Cherokee 2WD-2 Dr.	79 = Cherokee 4WD-4 Dr.-Com
27 = J-20 Pickup-131" W.B.	74 = Cherokee 2WD-4 Dr.	81 = Wrangler-93" W.B.
63 = Comanche 4WD-6 Ft. Box	75 = Wagoneer 4WD-4 Dr.	82 = Wrangler-103" W.B.-Exp.
64 = Comanche 2WD-6 Ft. Box		

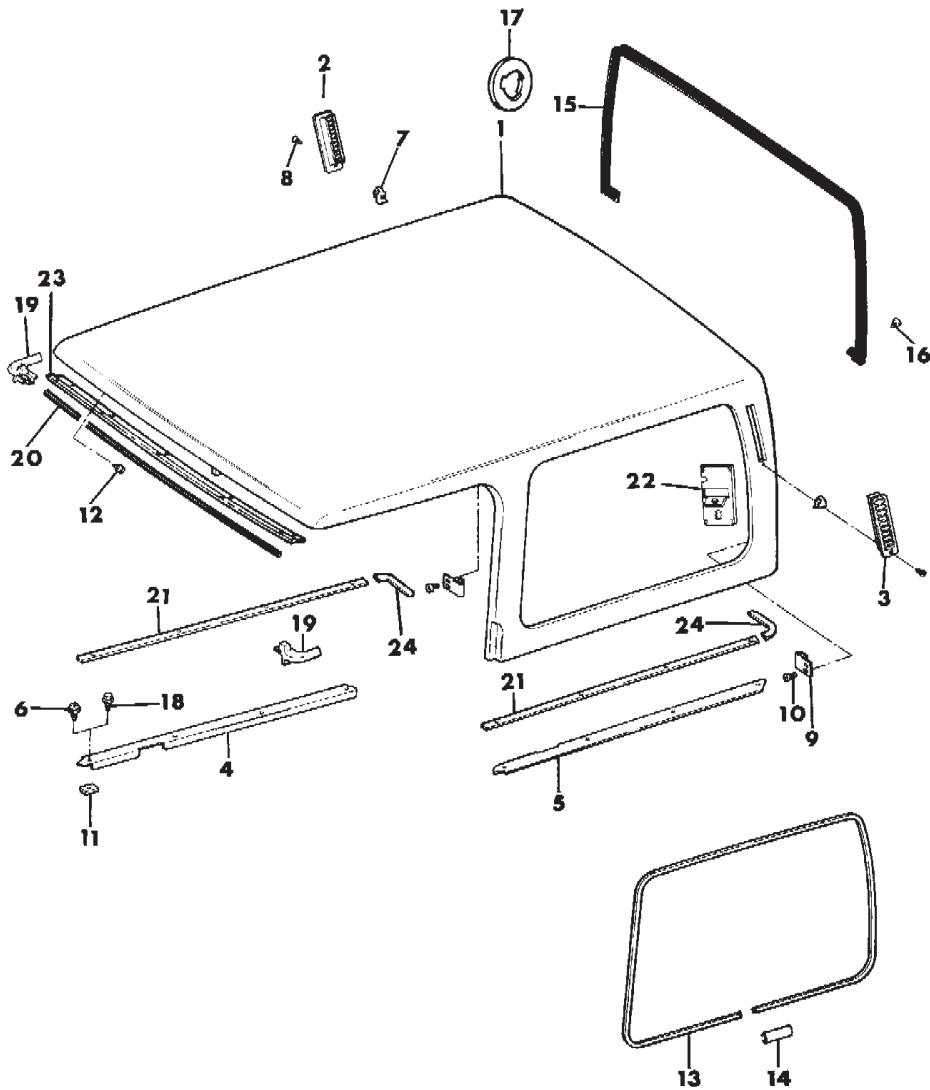
BODY STYLES:

MJ = Comanche Pickup
SJ = Grand Wagoneer Wgn., J-10 & J-20 Pickups
XJ = Cherokee, Wagoneer Limited
YJ = Wrangler

AR = Use as Required - = Non Illustrated Part P.A.R. = Paint as Required

TOP ENCLOSURE, HARD WRANGLER, YJ
Figure 23A-800

8J69 800C



ITEM	PART NUMBER	QTY	BODY	MODEL	DESCRIPTION
1					TOP ENCLOSURE, Hard ***
	5500 8545	1			Black 1987-89
	5AR4 0JCX	1			Black 1990
	5501 6544	1			Charcoal 1988-89
	5AR4 0JS2	1			Charcoal 1990
	5500 8547	1			Honey, 1987
	5502 1259	1			Sand 1989
	5AR4 0JY8	1			Sand 1990
	5501 6418	1			Tan 1988
	5500 8546	1			White, 1987
2-3	5500 8540-1	1			EXHAUSTER, Air ***
4-5	5501 5798-9	1			MOULDING, Rear Quarter
6	J400 7007	8			SCREW
7	J400 6402	2			NUT, Spring
8	J400 2809	2			SCREW
9	5501 7502	2			STRIKER, Lift Door
10	J400 4648	4			SCREW
11	J096 8155	8			PLATE, Tapping
12	J400 1701	5			SCREW
13	5500 9396	2			MOULDING, Quarter Window
14	5500 9625	2			CAP, End
15	5501 0064	1			WEATHERSTRIP, Lift Door Glass
16	J400 2461	4			SCREW
17	J400 5677	AR			SHIM, .04" Thick
	J400 5678	AR			SHIM, .09" Thick ***
18	J400 4520	8			SCREW
19	J576 6638-9	1			SEAL, 1987-89
	5502 5164-5	1			1990
20	5505 2607	1			SEAL, Windshield
21	J545 9582-3	1			SEAL
22	5600 3696	1			PLATE, Hardtop Disconnect, 1990
23	5534 4543	1			PLATE, Hardtop Header Attach to W/SHLD, 1990
24		1			SEAL
	J546 3864				Right
	J546 3863				Left

MODEL CODES:

15 = Grand Wagoneer 4 Dr.	65 = Comanche 4WD-7 Ft. Box	77 = Cherokee 4WD-2 Dr.
25 = J-10 Pickup-119" W.B.	66 = Comanche 2WD-7 Ft. Box	78 = Cherokee 4WD-4 Dr.
26 = J-10 Pickup-131" W.B.	73 = Cherokee 2WD-2 Dr.	79 = Cherokee 4WD-4 Dr.-Com
27 = J-20 Pickup-131" W.B.	74 = Cherokee 2WD-4 Dr.	81 = Wrangler-93" W.B.
63 = Comanche 4WD-6 Ft. Box	75 = Wagoneer 4WD-4 Dr.	82 = Wrangler-103" W.B.-Exp.
64 = Comanche 2WD-6 Ft. Box		

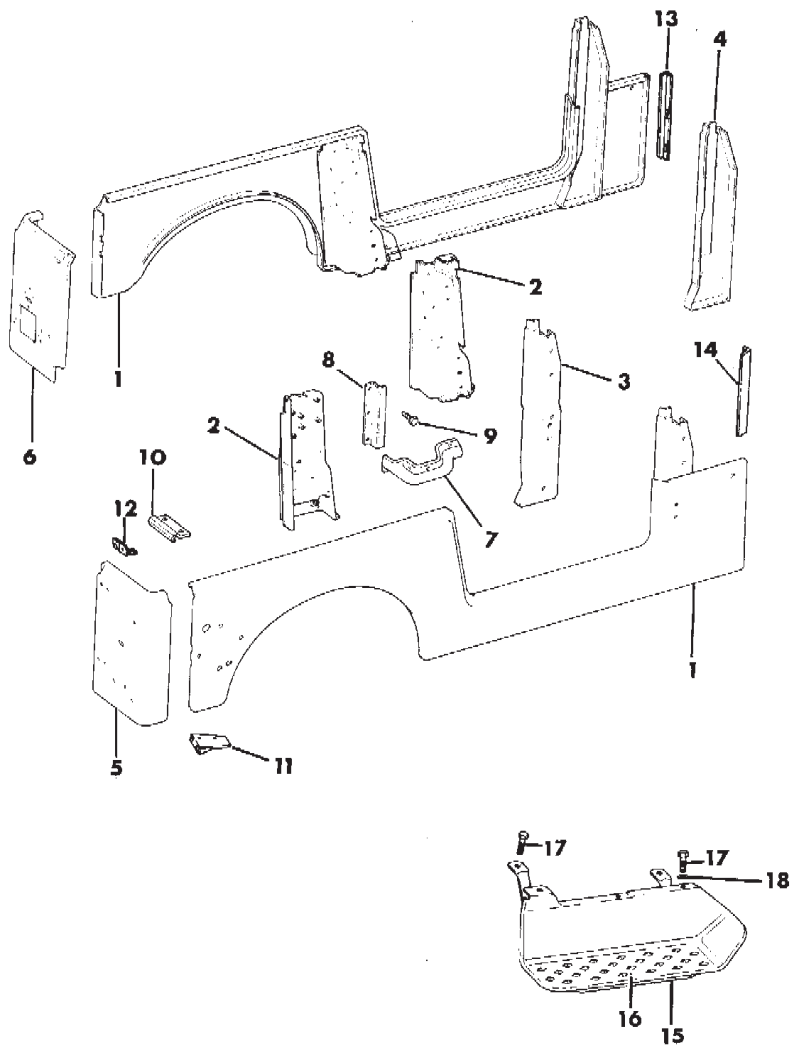
BODY STYLES:

MJ = Comanche Pickup
SJ = Grand Wagoneer Wgn., J-10 & J-20 Pickups
XJ = Cherokee, Wagoneer Limited
YJ = Wrangler

AR = Use as Required - = Non Illustrated Part P.A.R. = Paint as Required

PANELS, BODY SIDE WRANGLER, YJ
Figure 23A-900

8 J 69 900 B



ITEM	PART NUMBER	QTY	BODY	MODEL	DESCRIPTION
1	8350 2940-1	1			PANEL, Side
2	5501 5006-7	1			SUPPORT, Side Panel
	5502 7368-9	1			1987-89
		1			1990
3	J545 3806	1			PILLAR, Cowl Right
4	J545 3805	1			PILLAR, Cowl Left
5	5505 0036	1			PANEL, Right
6	8350 3579	1			PANEL, Left
7	J576 0997	1			COVER, 1987-89
8	J575 8728	1			COVER, 1987-89
9	3420 1261	6			SCREW, 1987-89
10	5600 2062	3			COVER, 1987-88
11	5500 9132	1			REINFORCEMENT, Tailgate Hinge Lower
12	5500 8262	1			REINFORCEMENT, Tailgate Hinge Upper
13	J068 3529	1			REINFORCEMENT, Side Panel, Left
14	J068 3530	1			REINFORCEMENT, Side Panel, Right
15	J575 8122-3	1			STEP ASSEMBLY, 1990, KDX Egypt, Venezuela ***
16	J576 1538-9	1			TREAD, Step, 1990, KDX - Egypt, Venezuela ***
17	J018 0122	4			BOLT, 1990, KDX - Egypt, Venezuela
18	J400 4711	4			WASHER, 1990, KDX - Egypt, Venezuela

MODEL CODES:

15 = Grand Wagoneer 4 Dr.	65 = Comanche 4WD-7 Ft. Box	77 = Cherokee 4WD-2 Dr.
25 = J-10 Pickup-119" W.B.	66 = Comanche 2WD-7 Ft. Box	78 = Cherokee 4WD-4 Dr.
26 = J-10 Pickup-131" W.B.	73 = Cherokee 2WD-2 Dr.	79 = Cherokee 4WD-4 Dr.-Com
27 = J-20 Pickup-131" W.B.	74 = Cherokee 2WD-4 Dr.	81 = Wrangler-93" W.B.
63 = Comanche 4WD-6 Ft. Box	75 = Wagoneer 4WD-4 Dr.	82 = Wrangler-103" W.B.-Exp.
64 = Comanche 2WD-6 Ft. Box		

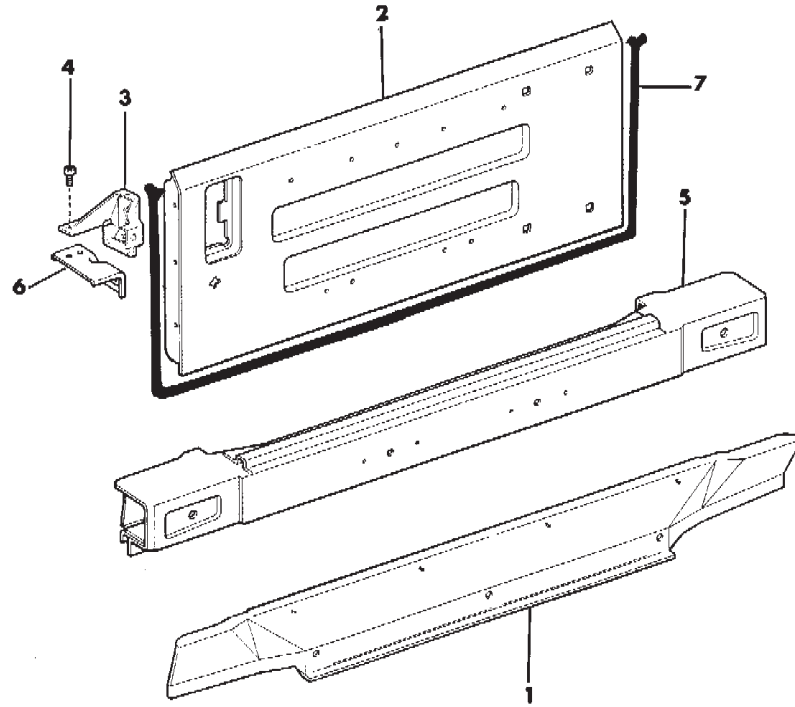
BODY STYLES:

MJ = Comanche Pickup
 SJ = Grand Wagoneer Wgn., J-10 & J-20 Pickups
 XJ = Cherokee, Wagoneer Limited
 YJ = Wrangler

AR = Use as Required - = Non Illustrated Part P.A.R. = Paint as Required

TAILGATE WRANGLER, YJ
Figure 23A-1000

8 J 69 1000 A



ITEM	PART NUMBER	QTY	BODY	MODEL	DESCRIPTION
1	J546 0669	1			PANEL
2	5700 1412	1			TAILGATE
3	5501 5904	1			BRACKET
4	J400 4648	9			SCREW
5	5505 0024	1			PANEL, Lower
6	5501 5903	1			REINFORCEMENT
7	5500 9742	1			WEATHERSTRIP

MODEL CODES:

15 = Grand Wagoneer 4 Dr.	65 = Comanche 4WD-7 Ft. Box	77 = Cherokee 4WD-2 Dr.
25 = J-10 Pickup-119" W.B.	66 = Comanche 2WD-7 Ft. Box	78 = Cherokee 4WD-4 Dr.
26 = J-10 Pickup-131" W.B.	73 = Cherokee 2WD-2 Dr.	79 = Cherokee 4WD-4 Dr.-Com
27 = J-20 Pickup-131" W.B.	74 = Cherokee 2WD-4 Dr.	81 = Wrangler-93" W.B.
63 = Comanche 4WD-6 Ft. Box	75 = Wagoneer 4WD-4 Dr.	82 = Wrangler-103" W.B.-Exp.
64 = Comanche 2WD-6 Ft. Box		

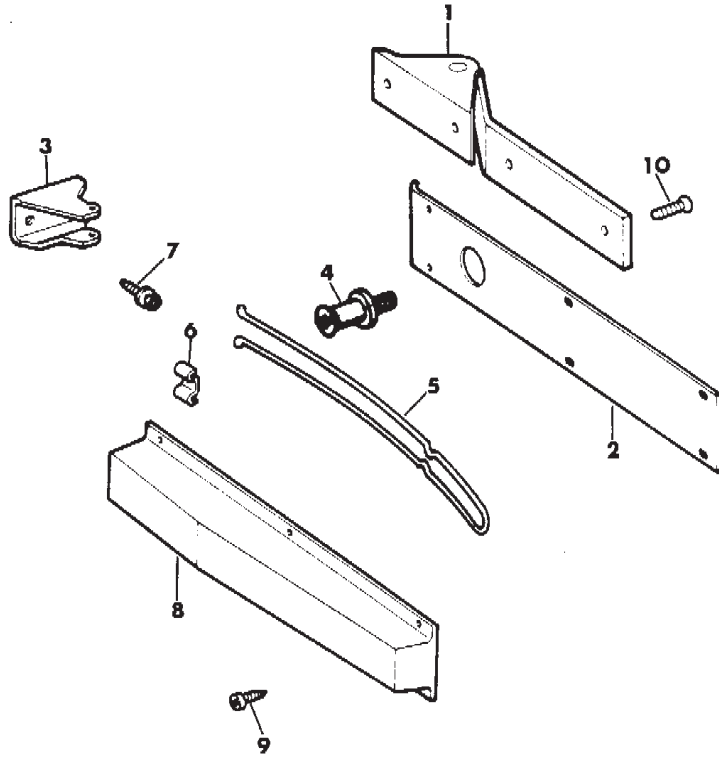
BODY STYLES:

MJ = Comanche Pickup
SJ = Grand Wagoneer Wgn., J-10 & J-20 Pickups
XJ = Cherokee, Wagoneer Limited
YJ = Wrangler

AR = Use as Required - = Non Illustrated Part P.A.R. = Paint as Required

HINGES, TAILGATE WRANGLER, YJ
Figure 23A-1100

8 J 69 1100



ITEM	PART NUMBER	QTY	BODY	MODEL	DESCRIPTION
1					HINGE, Tailgate
	5501 6590	2			Except Export
	5502 1074	2			w/Pintle Hook, Export
2	5500 9445	1			SHIELD
3	5500 9448	1			BRACKET
4	5500 9447	1			PIN
5	5500 9446	1			ROD
6	5500 9440	1			CLAMP
7	J400 4455	2			SCREW
8	5500 9444	1			COVER
9	J812 0052	6			SCREW
10	J400 4956	AR			SCREW

MODEL CODES:

15 = Grand Wagoneer 4 Dr.	65 = Comanche 4WD-7 Ft. Box	77 = Cherokee 4WD-2 Dr.
25 = J-10 Pickup-119" W.B.	66 = Comanche 2WD-7 Ft. Box	78 = Cherokee 4WD-4 Dr.
26 = J-10 Pickup-131" W.B.	73 = Cherokee 2WD-2 Dr.	79 = Cherokee 4WD-4 Dr.-Com
27 = J-20 Pickup-131" W.B.	74 = Cherokee 2WD-4 Dr.	81 = Wrangler-93" W.B.
63 = Comanche 4WD-6 Ft. Box	75 = Wagoneer 4WD-4 Dr.	82 = Wrangler-103" W.B.-Exp.
64 = Comanche 2WD-6 Ft. Box		

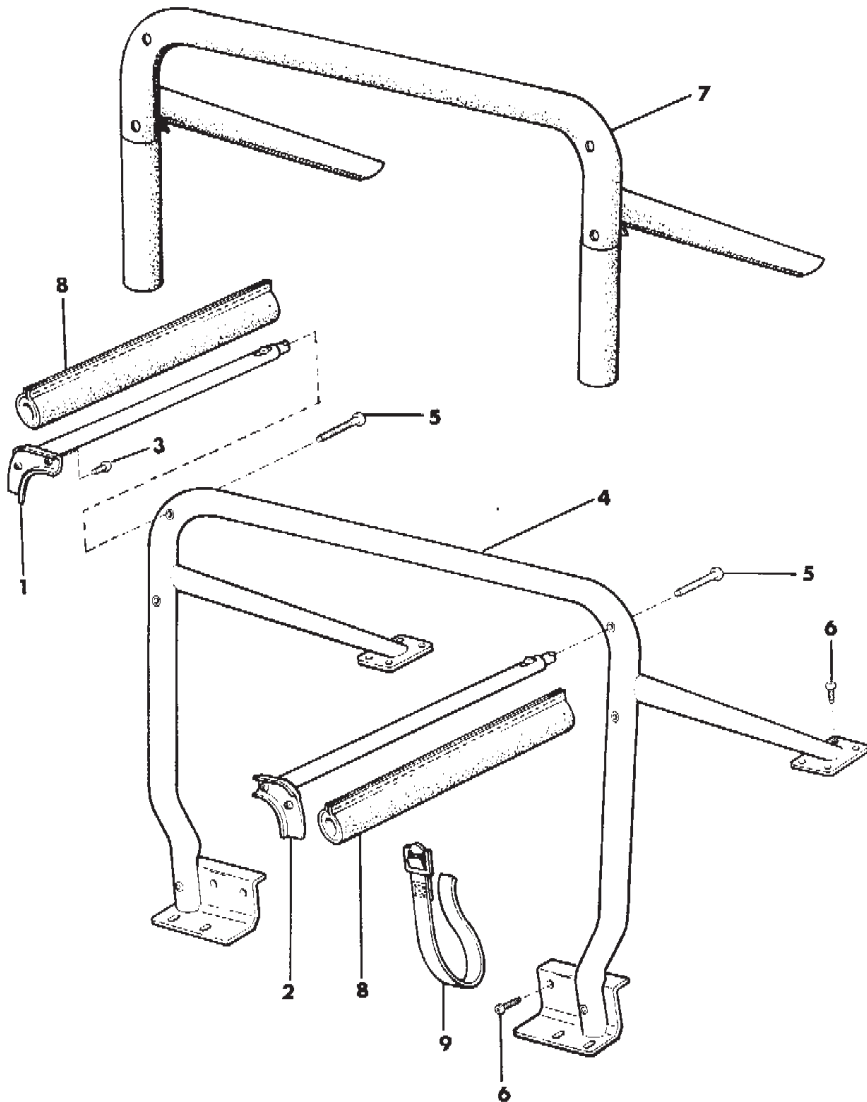
BODY STYLES:

MJ = Comanche Pickup
 SJ = Grand Wagoneer Wgn., J-10 & J-20 Pickups
 XJ = Cherokee, Wagoneer Limited
 YJ = Wrangler

AR = Use as Required - = Non Illustrated Part P.A.R. = Paint as Required

SPORT BAR WRANGLER, YJ
Figure 23A-1200

8 J 69 1200



ITEM	PART NUMBER	QTY	BODY	MODEL	DESCRIPTION
1-2	5501 0600-1	1			SIDE BAR ***
3	J400 4956	4			SCREW
4	5501 0621	1			SPORT BAR 1987-90
	5501 6542	1	82		w/103" Wheelbase, 1988
5	J400 7446	2			BOLT
6	J400 7073	16			SCREW
7	5501 8831	1			COVER, Sport Bar Black, 1987
	5501 6395	1			Charcoal 1988-89
	5AF3 9JS1	1			1990
	5501 8832	1			Honey, 1987
	5AF3 9JY6	1			Dk. Sand 1989-90
	5501 6396	1			Tan, 1988
8	5501 3522	2			COVER, Side Bar Black, 1987
	5501 6397	2			Charcoal, 1988-89
	5AE9 9JS1	2			1990
	5501 3523	2			Honey, 1987
	5AE9 9JY6	2			Dk. Sand 1989-90
	5501 6398	2			Tan, 1988
9	5501 5916	4			STRAP

MODEL CODES:

15 = Grand Wagoneer 4 Dr.	65 = Comanche 4WD-7 Ft. Box	77 = Cherokee 4WD-2 Dr.
25 = J-10 Pickup-119" W.B.	66 = Comanche 2WD-7 Ft. Box	78 = Cherokee 4WD-4 Dr.
26 = J-10 Pickup-131" W.B.	73 = Cherokee 2WD-2 Dr.	79 = Cherokee 4WD-4 Dr.-Com.
27 = J-20 Pickup-131" W.B.	74 = Cherokee 2WD-4 Dr.	81 = Wrangler-93" W.B.
63 = Comanche 4WD-6 Ft. Box	75 = Wagoneer 4WD-4 Dr.	82 = Wrangler-103" W.B.-Exp.
64 = Comanche 2WD-6 Ft. Box		

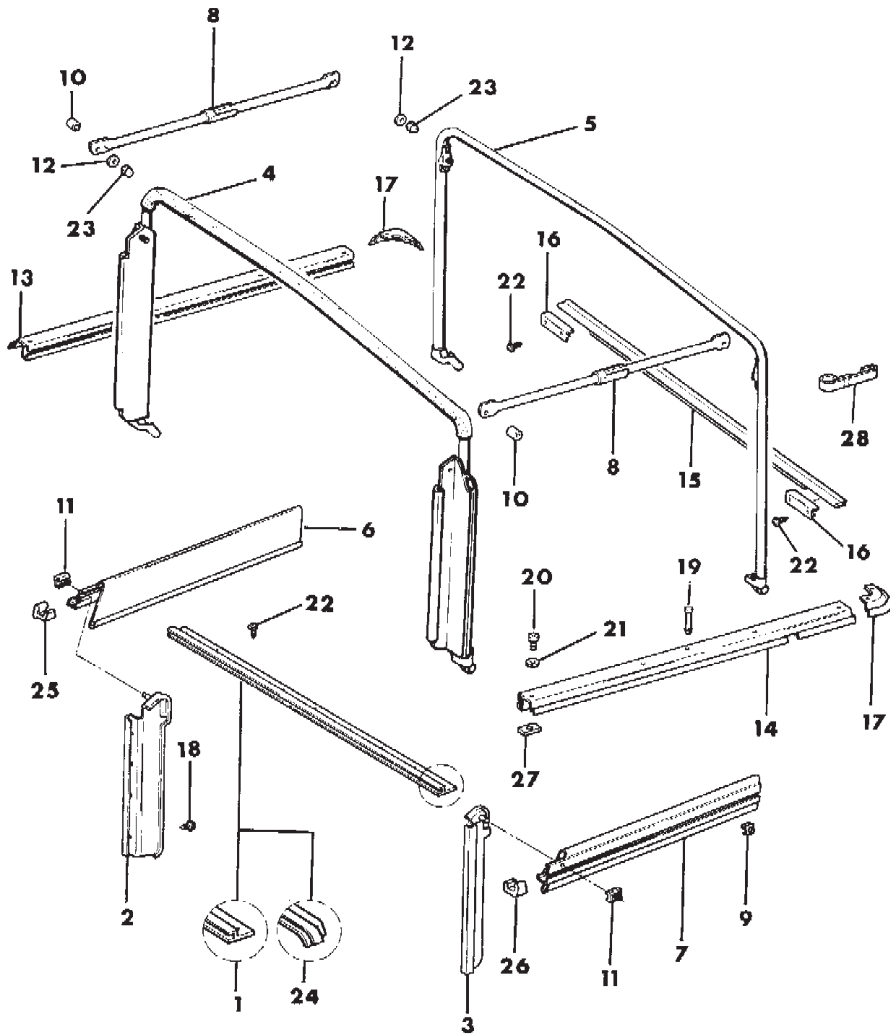
BODY STYLES:

MJ = Comanche Pickup
 SJ = Grand Wagoneer Wgn., J-10 & J-20 Pickups
 XJ = Cherokee, Wagoneer Limited
 YJ = Wrangler

AR = Use as Required - = Non Illustrated Part P.A.R. = Paint as Required

SOFT TOP HARDWARE WITH HALF DOORS WRANGLER, YJ
Figure 23A-1300

8 J 69 1300 B



ITEM	PART NUMBER	QTY	BODY	MODEL	DESCRIPTION
1	8220 0599	1			RETAINER, Windshield
2-3	5501 3678-9	1			FLANGE, Door Sealing Front ***
4	8350 3382	1			BOW ASSEMBLY, Front Roof ***
	8350 5252	1			1987-90, KDX
5	8350 3381	1			BOW ASSEMBLY, Rear Roof ***
6-7	5501 0744-5	1			RAIL, Upper Door Drip
8	5501 5100	2			BAR, Spreader
9	5501 5378	10			STUD, (Includes Clip)
10	5501 5108	2			SPACER, Spreader Bar
11	5501 3673	2			SLIDER, Drip Rail Lock
12	J400 7015	4			WASHER
13-14	5501 5110-1	1			RETAINER, Side Belt Rail
	5502 0532-3	1	81		1988-90 w/93" W.B.
	5501 8024-5	1	82		Front, KDX w/103" W.B.
	5501 8028-9	1	82		Rear, KDX, w/103" W.B.
15	5501 0754	1			RETAINER, Tailgate Opening, w/Seal
16	5501 0849	2			CLIP, Tailgate Retainer
	5502 0534-5	2			1988-90
17	5501 0734	2			RETAINER, Rear Corner Belt Rail
18	J400 3671	8			SCREW
19	5501 5114	4			PIN
20	J400 6986	12			BOLT
21	J012 0393	12			WASHER
22	J400 7487	17			SCREW
23	8350 4132	4			NUT, Acorn
24	8220 0921	1			RETAINER, Windshield
25-26	5501 8718-9	1			CAP, End
27	J096 8155	12			PLATE, Tapping
28	5501 6035	1			STRAP, Bow Tie Down

MODEL CODES:

15 = Grand Wagoneer 4 Dr.	65 = Comanche 4WD-7 Ft. Box	77 = Cherokee 4WD-2 Dr.
25 = J-10 Pickup-119" W.B.	66 = Comanche 2WD-7 Ft. Box	78 = Cherokee 4WD-4 Dr.
26 = J-10 Pickup-131" W.B.	73 = Cherokee 2WD-2 Dr.	79 = Cherokee 4WD-4 Dr.-Com
27 = J-20 Pickup-131" W.B.	74 = Cherokee 2WD-4 Dr.	81 = Wrangler-93" W.B.
63 = Comanche 4WD-6 Ft. Box	75 = Wagoneer 4WD-4 Dr.	82 = Wrangler-103" W.B.-Exp.
64 = Comanche 2WD-6 Ft. Box		

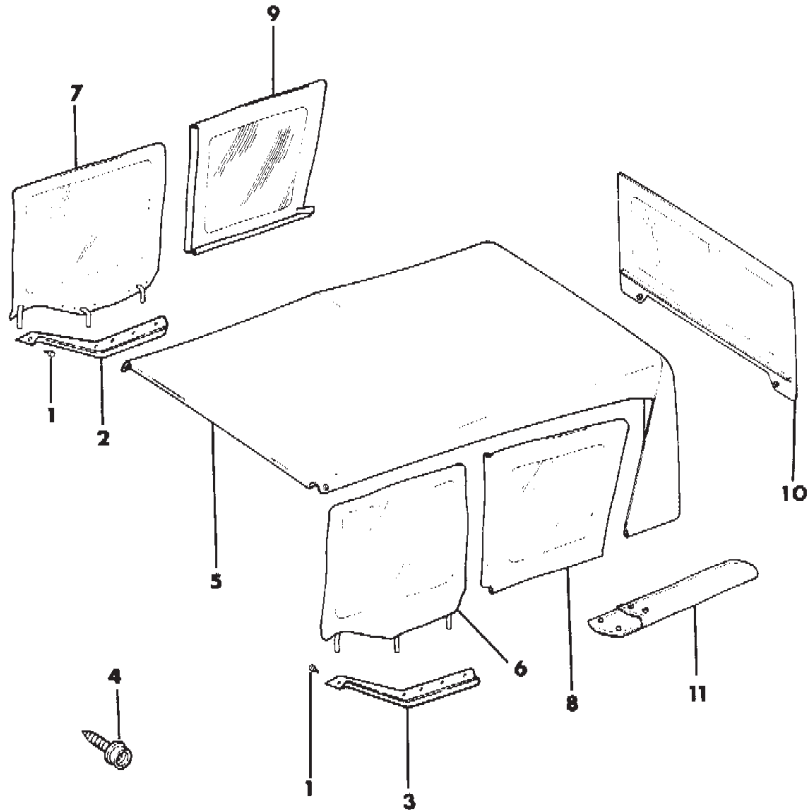
BODY STYLES:

MJ = Comanche Pickup
SJ = Grand Wagoneer Wgn., J-10 & J-20 Pickups
XJ = Cherokee, Wagoneer Limited
YJ = Wrangler

AR = Use as Required - = Non Illustrated Part P.A.R. = Paint as Required

SOFT TOP AND WINDOWS WITH HALF DOORS WRANGLER, YJ
Figure 23A-1400

8 J 69 1400



ITEM	PART NUMBER	QTY	BODY	MODEL	DESCRIPTION
1	J400 7487	12			SCREW
2-3	5501 7744-5	1			RETAINER, Door
4	J400 7545	12			SCREW, Snap Head
5					TOP, Soft
	5501 1009	1			Black, w/Snap 1987
	5501 7620	1			Black, w/o Snap 1987
	5501 8813	1			Black Denim 1988-89
	5AE8 3JS1	1			Charcoal 1988-90
	5501 1011	1			Honey, w/Snap 1987
	5501 7624	1			Honey, w/o Snap 1987
	5501 9256	1			Khaki 1988-89
	5501 8564	1			Olive Drab, Canada Military w/o Snap 1987-88
	5AE8 3JY6	1			Sand 1989-90
	5501 6430	1			Tan 1988
	5501 1502	1			White w/Snap 1987
	5501 7622	1			White, w/o Snap 1987 1990
	5AE8 3JX7	1			Black
	5AE8 3JJ5	1			Khaki
6-7					DOOR, Upper Soft
	5501 2584-5	1			Black, 1987
	5501 9542-3	1			Black Denim, (Up To 11-15-88) 1988-89
	5BA10-1 JX7	1			Black Denim, (Aft. 11-15-88)
	5501 9544-5	1			Charcoal, (Up To 11-15-88) 1988-89
	5BA10-1 JS1	1			Charcoal, (Aft. To 11-15-88)
	5501 2588-9	1			Honey, 1987
	5501 9550-1	1			Khaki, (Up To 11-15-88) 1988-89
	5BA10-1 JJ5	1			Khaki, (Aft. 11-15-88)
	5501 8004-5	1			Olive Drab, Canada Military 1987
	5501 9548-9	1			Olive Drab, Canada Military 1988
	5502 1268-9	1			Sand, (Up To 11-15-88) 1989
	5BA10-1 JY6	1			Sand, (Aft. To 11-15-88)
	5501 9546-7	1			Tan, 1988
	5501 2586-7	1			White, 1987
8-9					GLASS, Quarter
	5501 0976-7	1		81	Black, w/ 93" W.B. 1987
	5502 1436-7	1		81	Black Denim, w/ 93" W.B. 1988-89

MODEL CODES:

15 = Grand Wagoneer 4 Dr.	65 = Comanche 4WD-7 Ft. Box	77 = Cherokee 4WD-2 Dr.
25 = J-10 Pickup-119" W.B.	66 = Comanche 2WD-7 Ft. Box	78 = Cherokee 4WD-4 Dr.
26 = J-10 Pickup-131" W.B.	73 = Cherokee 2WD-2 Dr.	79 = Cherokee 4WD-4 Dr.-Com
27 = J-20 Pickup-131" W.B.	74 = Cherokee 2WD-4 Dr.	81 = Wrangler-93" W.B.
63 = Comanche 4WD-6 Ft. Box	75 = Wagoneer 4WD-4 Dr.	82 = Wrangler-103" W.B.-Exp.
64 = Comanche 2WD-6 Ft. Box		

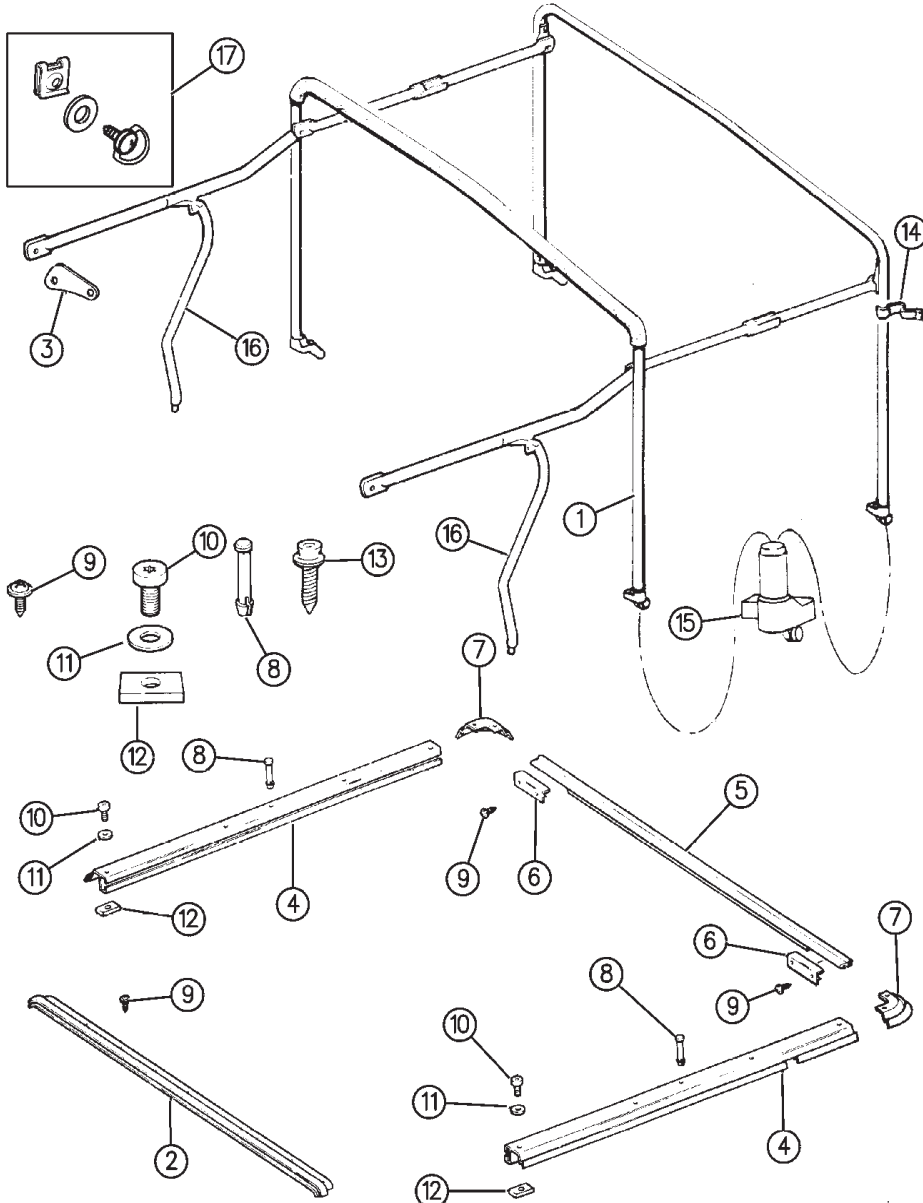
BODY STYLES:

MJ = Comanche Pickup
 SJ = Grand Wagoneer Wgn., J-10 & J-20 Pickups
 XJ = Cherokee, Wagoneer Limited
 YJ = Wrangler

AR = Use as Required - = Non Illustrated Part P.A.R. = Paint as Required

SOFT TOP HARDWARE WITH FULL HARD DOORS WRANGLER, YJ
Figure 23A-1500

8J69 1500D



94J69 1140

ITEM	PART NUMBER	QTY	BODY	MODEL	DESCRIPTION
1					BOW AND DOOR FRAME ASSEMBLY ***
	8350 5016	1			1987-89
	5252 835	1			1990, (Does not include vehicle door supports item 16)
2	8220 0921	1			RETAINER, Windshield
3	8350 5014-5	1			BRACKET, Windshield
4					RETAINER, Side Belt Rail
	8350 5018	1			Right
	8350 5017	1			Left
5	5501 0754	1			RETAINER, Tailgate Opening
6	5501 0849	2			CLIP, Tailgate Retainer
7	5501 0734	2			RETAINER, Rear Corner Belt Rail
8	5501 5114	4			PIN
9	J400 7487	15			SCREW, .38" Long ***
	J400 3671	15			SCREW, .625" Long ***
10	J400 7484	12			BOLT
11	J012 0393	12			WASHER
12	J096 8155	12			PLATE, Tapping
13	J400 7545	2			SCREW, Snap Head
14	5501 6035	1			STRAP, Bow Tie Down
15					SLIDE, included in bow and door frame assy.
16	5252 355	1			SUPPORT
17	4773 633	1			SCREW PACKAGE, Attach Windshield Bracket to Support ***

MODEL CODES:

15 = Grand Wagoneer 4 Dr.	65 = Comanche 4WD-7 Ft. Box	77 = Cherokee 4WD-2 Dr.
25 = J-10 Pickup-119" W.B.	66 = Comanche 2WD-7 Ft. Box	78 = Cherokee 4WD-4 Dr.
26 = J-10 Pickup-131" W.B.	73 = Cherokee 2WD-2 Dr.	79 = Cherokee 4WD-4 Dr.-Com
27 = J-20 Pickup-131" W.B.	74 = Cherokee 2WD-4 Dr.	81 = Wrangler-93" W.B.
63 = Comanche 4WD-6 Ft. Box	75 = Wagoneer 4WD-4 Dr.	82 = Wrangler-103" W.B.-Exp.
64 = Comanche 2WD-6 Ft. Box		

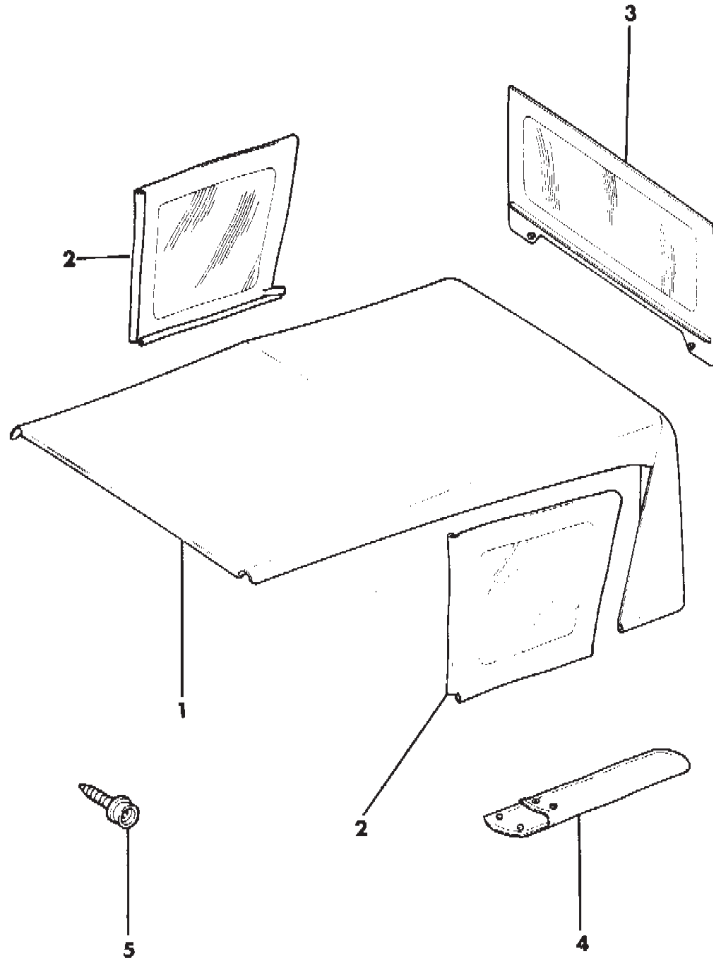
BODY STYLES:

MJ = Comanche Pickup
SJ = Grand Wagoneer Wgn., J-10 & J-20 Pickups
XJ = Cherokee, Wagoneer Limited
YJ = Wrangler

AR = Use as Required - = Non Illustrated Part P.A.R. = Paint as Required

SOFT TOP AND WINDOWS WITH FULL HARD DOORS WRANGLER, YJ
Figure 23A-1600

8 J 69 1600



ITEM	PART NUMBER	QTY	BODY	MODEL	DESCRIPTION
1	TOP, Soft				
	8350 5005	1			Black, 1987
	8350 5031	1			Black Denim, 1988-90
	8350 5029	1			Charcoal, 1988-90
	8350 5006	1			Honey, 1987
	8350 5030	1			Khaki, 1988-90
	8350 5559	1			Sand, 1989-90
	8350 5028	1			Tan, 1988
	8350 5007	1			White, 1987
2	WINDOW, Quarter ***				
	8350 5008-9	1			Black, 1987
	8350 5034-5	1			Black Denim, 1988-90
	8350 5036-7	1			Charcoal, 1988,90
	8350 5010-1	1			Honey, 1987
	8350 5038-9	1			Khaki, 1988,90
	8350 5560-1	1			Sand, 1989-90
	8350 5032-3	1			Tan, 1988
	8350 5012-3	1			White, 1987
3	WINDOW, Tailgate ***				
					Snap Type
	5501 0991	1			Black, 1987
	5501 8814	1			Black Denim, 1987
	5501 6550	1			Charcoal, 1987
	5501 9255	1			Khaki, 1987
	5501 0993	1			Honey, 1987
	5501 1498	1			White, 1987
					Plastic Retainer Type (Slides into Groove in Tailgate)
	5502 1446	1			Tan, 1988
	5AF7 7JY6	1			Dark Sand, 1989-90
	5AF7 7JJ5	1			Khaki, 1988-90
	5AF7 7JS1	1			Charcoal or Silver, 1988-90
5AF7 7JX7	1			Black, 1988-90	
4	BAG, Window Stowage				
	5501 0995	2			Black, 1987
	5501 8815	2			Black Denim, 1988-89
	5501 6551	2			Charcoal, 1988,89
	5501 0997	2			Honey, 1987

MODEL CODES:

15 = Grand Wagoneer 4 Dr.	65 = Comanche 4WD-7 Ft. Box	77 = Cherokee 4WD-2 Dr.
25 = J-10 Pickup-119" W.B.	66 = Comanche 2WD-7 Ft. Box	78 = Cherokee 4WD-4 Dr.
26 = J-10 Pickup-131" W.B.	73 = Cherokee 2WD-2 Dr.	79 = Cherokee 4WD-4 Dr.-Com
27 = J-20 Pickup-131" W.B.	74 = Cherokee 2WD-4 Dr.	81 = Wrangler-93" W.B.
63 = Comanche 4WD-6 Ft. Box	75 = Wagoneer 4WD-4 Dr.	82 = Wrangler-103" W.B.-Exp.
64 = Comanche 2WD-6 Ft. Box		

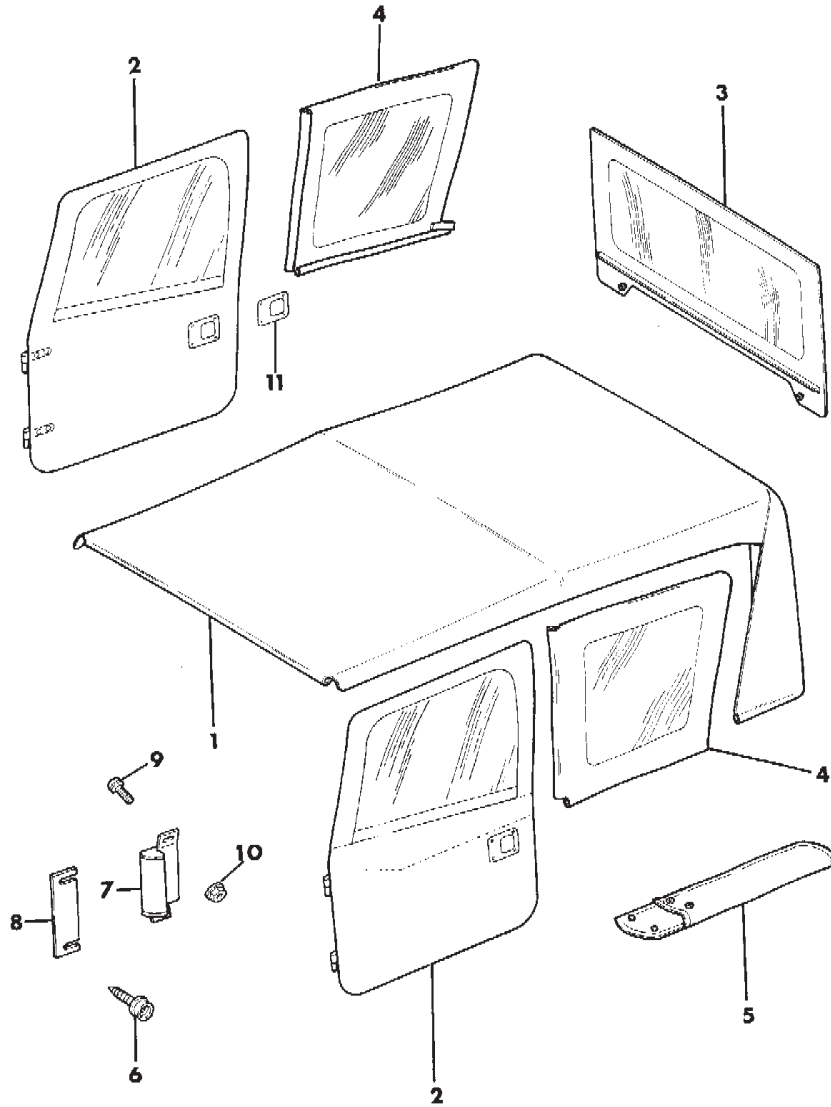
BODY STYLES:

MJ = Comanche Pickup
 SJ = Grand Wagoneer Wgn., J-10 & J-20 Pickups
 XJ = Cherokee, Wagoneer Limited
 YJ = Wrangler

AR = Use as Required - = Non Illustrated Part P.A.R. = Paint as Required

SOFT TOP, FULL SOFT DOORS AND WINDOWS NON REGULATED MARKETS
Figure 23A-1700

8J 69 1700A



ITEM	PART NUMBER	QTY	BODY	MODEL	DESCRIPTION
1	#5BN7 9JX7	1			TOP, Soft, Black
2	5AF32-3 JX7	1			DOOR, Soft, Black
3	5501 8814	1			GLASS, Tailgate
	5501 7984	1			Black Denim Olive Drab
4	5501 8816-7	1			GLASS, Quarter
	5501 7986-7	1			Black Denim Olive Drab
5	5501 8815	2			BAG, Window Stowage
	5501 7998	2			Black Denim Olive Drab
6	J400 7545	12			SCREW, Snap Head
7	5502 0252-3	1			STRIKER, Door
8	5502 1820	AR			SHIM
9	J400 6189	4			SCREW
10	J027 1166	4			NUT
11	5501 8786	2			HANDLE ASSEMBLY

MODEL CODES:

15 = Grand Wagoneer 4 Dr.	65 = Comanche 4WD-7 Ft. Box	77 = Cherokee 4WD-2 Dr.
25 = J-10 Pickup-119" W.B.	66 = Comanche 2WD-7 Ft. Box	78 = Cherokee 4WD-4 Dr.
26 = J-10 Pickup-131" W.B.	73 = Cherokee 2WD-2 Dr.	79 = Cherokee 4WD-4 Dr.-Com
27 = J-20 Pickup-131" W.B.	74 = Cherokee 2WD-4 Dr.	81 = Wrangler-93" W.B.
63 = Comanche 4WD-6 Ft. Box	75 = Wagoneer 4WD-4 Dr.	82 = Wrangler-103" W.B.-Exp.
64 = Comanche 2WD-6 Ft. Box		

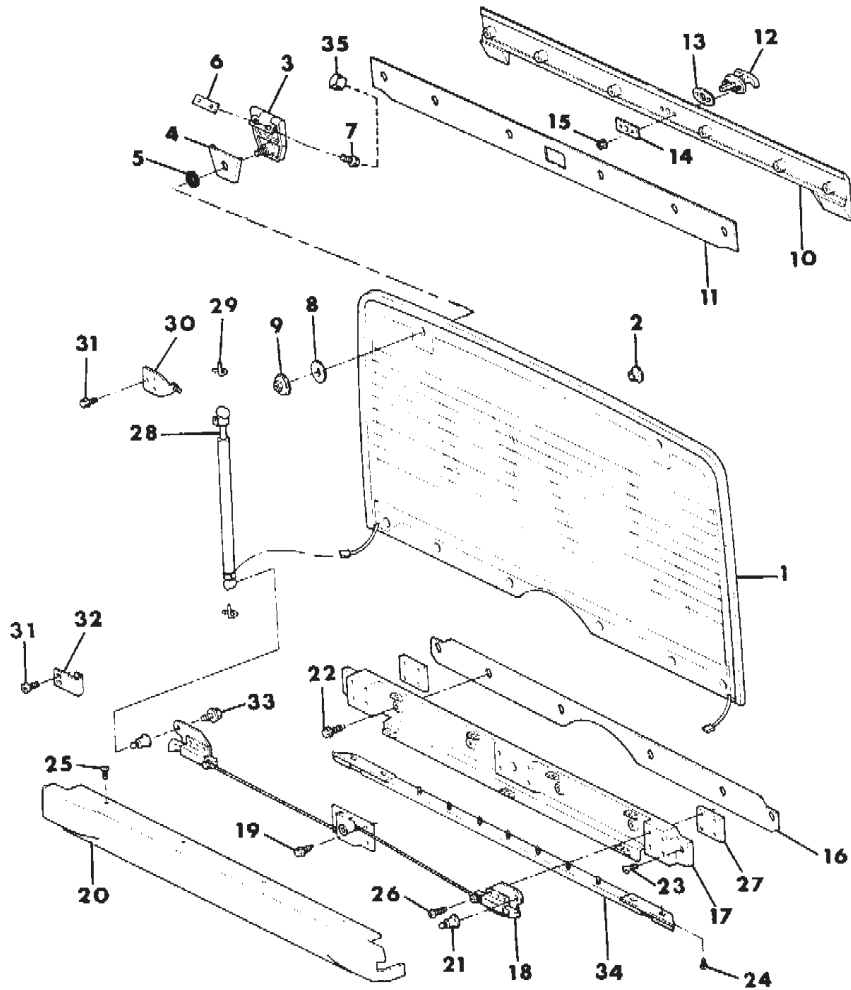
BODY STYLES:

MJ = Comanche Pickup
 SJ = Grand Wagoneer Wgn., J-10 & J-20 Pickups
 XJ = Cherokee, Wagoneer Limited
 YJ = Wrangler

AR = Use as Required - = Non Illustrated Part P.A.R. = Paint as Required

LIFT DOOR, LATCH AND HINGES WITH HARD TOP ENCLOSURE WRANGLER, YJ
Figure 23A-1800

8J691800



ITEM	PART NUMBER	QTY	BODY	MODEL	DESCRIPTION
1					GLASS, Lift Door
	8350 2988	1			Tinted, w/ rear window defogger
	8350 2987	1			Tinted, w/o rear window defogger
2					PLUG ***
	J400 7473	2			w/ rear window defogger
	J400 7443	2			w/o rear window defogger
3	5500 8136	2			HINGE, Lift Door
4	5500 9433	2			GASKET
5	5500 9788	2			SEAL
6	5500 9432	2			GASKET
7	J400 6906	4			SCREW
8	5500 9434	2			BUSHING
9	J400 7384	2			NUT
10		1			MOULDING, Lift Door
	5500 8530	1			P.A.R. (1987-89)
	5AB3 2JCX	1			Black, 1990
	5AB3 2JS2	1			Charcoal, 1990
	5AB3 2JY8	1			Sand, 1990
	4370 528	1			White, 1990, ECE
11	5500 9576	1			GASKET
12	5500 9857	1			HANDLE ASSEMBLY, Outside ***
13	J095 3289	1			GASKET
14	5500 9858	1			REINFORCEMENT
15	S027 4741	2			NUT
16	5500 9577	1			GASKET
17	5500 8531	1			PANEL, Lift Door Lower
18	5500 8148	1			LATCH, Lift Door
19	J400 4042	4			SCREW
20	5500 8532	1			MOULDING, Lift Door
21	J400 6230	2			NUT
22	J400 7378	4			SCREW
23	J400 7379	2			SCREW
24					SCREW
	J400 2461	4			.625" long
	J400 2465	4			.750" long
25	J400 4112	7			SCREW
26	J400 7387	8			SCREW

MODEL CODES:

15 = Grand Wagoneer 4 Dr.	65 = Comanche 4WD-7 Ft. Box	77 = Cherokee 4WD-2 Dr.
25 = J-10 Pickup-119" W.B.	66 = Comanche 2WD-7 Ft. Box	78 = Cherokee 4WD-4 Dr.
26 = J-10 Pickup-131" W.B.	73 = Cherokee 2WD-2 Dr.	79 = Cherokee 4WD-4 Dr.-Com.
27 = J-20 Pickup-131" W.B.	74 = Cherokee 2WD-4 Dr.	81 = Wrangler-93" W.B.
63 = Comanche 4WD-6 Ft. Box	75 = Wagoneer 4WD-4 Dr.	82 = Wrangler-103" W.B.-Exp.
64 = Comanche 2WD-6 Ft. Box		

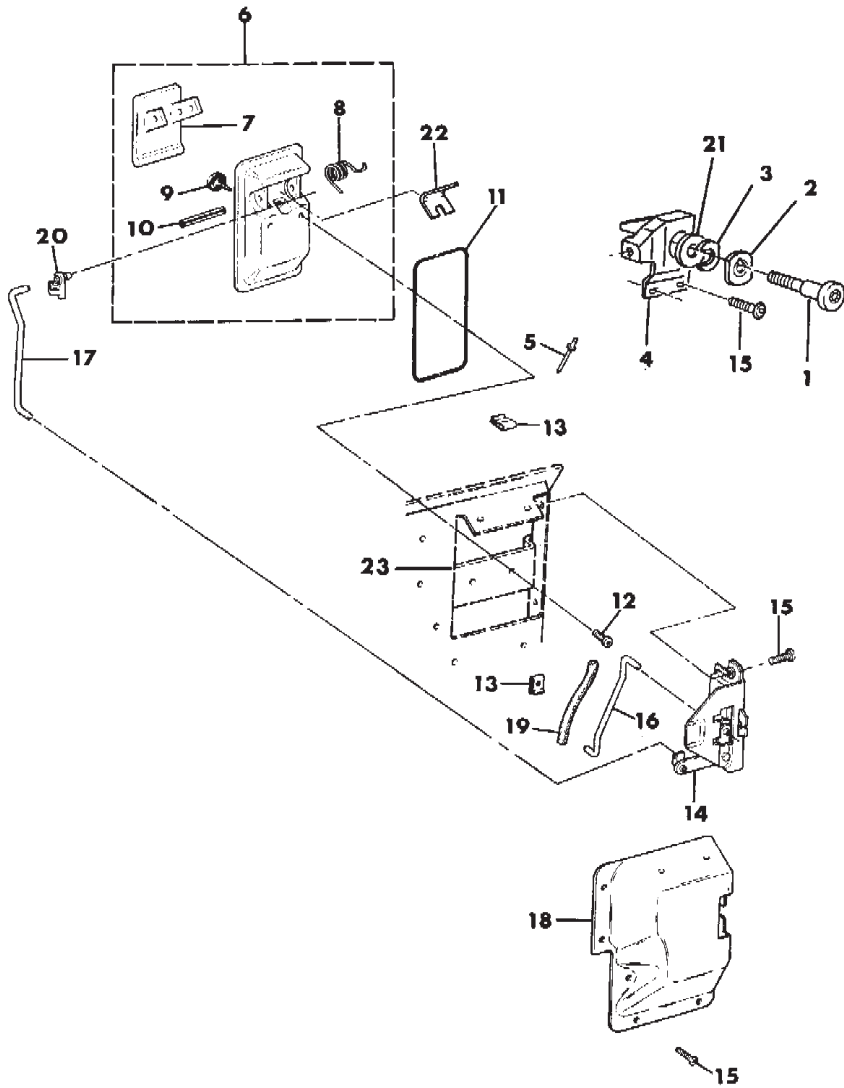
BODY STYLES:

MJ = Comanche Pickup
 SJ = Grand Wagoneer Wgn., J-10 & J-20 Pickups
 XJ = Cherokee, Wagoneer Limited
 YJ = Wrangler

AR = Use as Required - = Non Illustrated Part P.A.R. = Paint as Required

LATCH AND STRIKER, TAILGATE WRANGLER, YJ
Figure 23A-1900

8J691900_A



ITEM	PART NUMBER	QTY	BODY	MODEL	DESCRIPTION
1	J575 8191	1			STRIKER, Tailgate 1987-89
	5502 4904	1			1990
2	J575 8192	1			PLATE, Mounting 1987-89
	5502 4905	1			1990
3	J575 8193	AR			SHIM
4	5500 9515	1			COVER, Striker
5	3420 2200	3			RIVET
6	5500 8895	1			HANDLE, Tailgate
7	5500 8902	1			HANDLE
8	J363 1218	1			SPRING, Return
9	J400 3110	1			BUMPER, Door Handle
10	S045 5313	1			PIN, Spring
11	J374 3608	1			SEAL, Door Handle
12	J400 5969	2			SCREW
13	S149 4250	3			NUT
14	5500 8126	1			LATCH, Tailgate
15	J400 7536	10			SCREW
16	5500 8921	1			ROD, Lock Cylinder
17	5500 8127	1			ROD, Tailgate Latch
18	5501 5300	1			COVER, Latch
19	J372 1174	1			SLEEVE, 27" Long ***
20	J400 3672	1			RETAINER
21	J941 5543	1			WASHER
22	5502 0076	1			SEAL
23	5500 8273	1			BRACKET, Tailgate Latch Mounting

MODEL CODES:

15 = Grand Wagoneer 4 Dr. 65 = Comanche 4WD-7 Ft. Box 77 = Cherokee 4WD-2 Dr.
 25 = J-10 Pickup-119" W.B. 66 = Comanche 2WD-7 Ft. Box 78 = Cherokee 4WD-4 Dr.
 26 = J-10 Pickup-131" W.B. 73 = Cherokee 2WD-2 Dr. 79 = Cherokee 4WD-4 Dr.-Com
 27 = J-20 Pickup-131" W.B. 74 = Cherokee 2WD-4 Dr. 81 = Wrangler-93" W.B.
 63 = Comanche 4WD-6 Ft. Box 75 = Wagoneer 4WD-4 Dr. 82 = Wrangler-103" W.B.-Exp.
 64 = Comanche 2WD-6 Ft. Box

BODY STYLES:

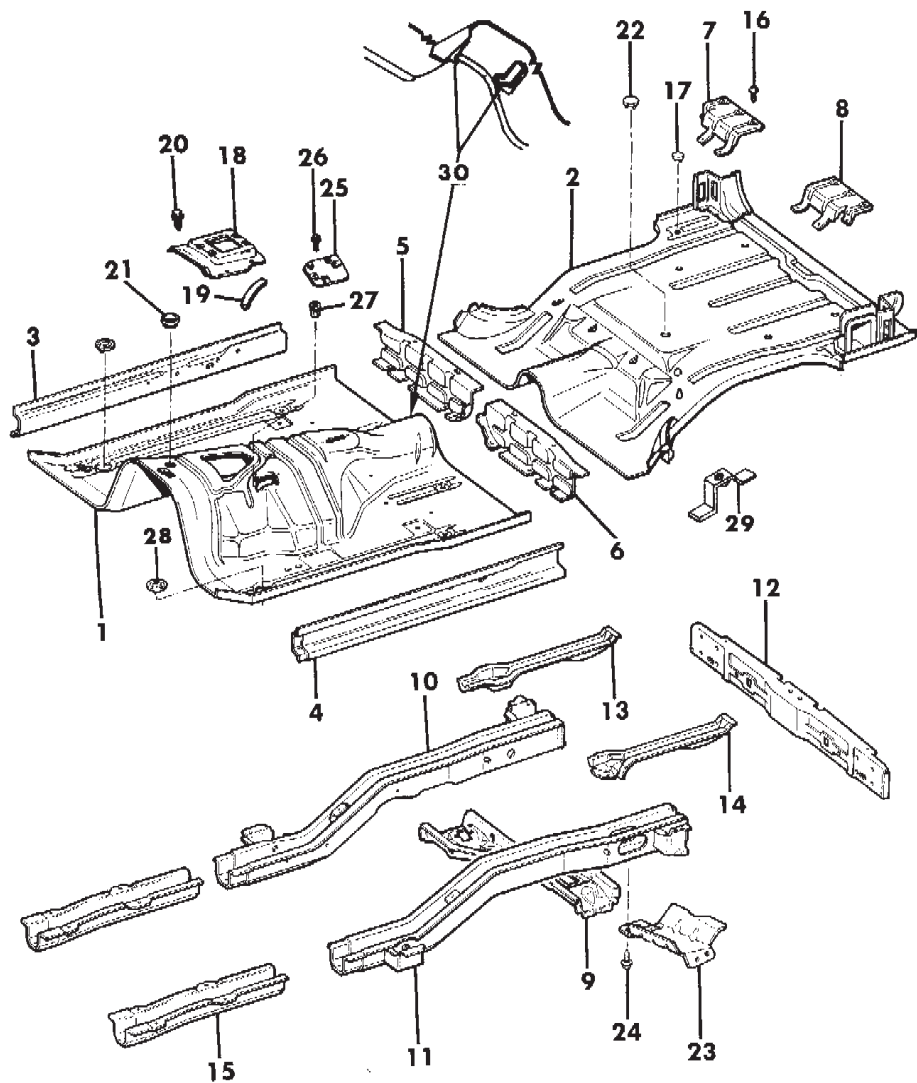
MJ = Comanche Pickup
 SJ = Grand Wagoneer Wgn., J-10 & J-20 Pickups
 XJ = Cherokee, Wagoneer Limited
 YJ = Wrangler

AR = Use as Required - = Non Illustrated Part P.A.R. = Paint as Required

PANS, FLOOR CHEROKEE, WAGONEER

Figure 23A-2000

8J69 2000 A



ITEM	PART NUMBER	QTY	BODY	MODEL	DESCRIPTION
1	5700 1712	1			PAN, Front Floor
2	5700 1713	1			PAN, Rear Floor
3-4	5700 0012-3	1			SILL, Front Pan
5	5500 0008	1			CROSSMEMBER, Seat Right 1987-90
6	5500 0009	1			CROSSMEMBER, Seat Left 1987-89
	5502 6393	1			Left 1990
7-8	5500 2230-1	1			COVER, Floor Pan
9	5700 0020	1			CROSSMEMBER, Shock
10-11					SILL, Rear Side
	5700 0014-5	1			1988-89
	5502 6216-7	1			1990
12	5700 0007	1			SILL, Rear Cross
13	5700 0022	1			SUPPORT, Fuel Tank Right
14	5500 2935	1			SUPPORT, Fuel Tank Left
15	5500 1206	2			SILL, Center
16	3420 2035	6			SCREW, 1987-90
17	5500 6578	10			PLUG, Drain
18					COVER, Transmission
	5300 0580	1			4 Cyl. Engine w/Manual Trans.
	5300 4436	1			6 Cyl. Engine w/5 Speed Trans. 1987
	5300 5141	1			6 Cyl. Engine w/Manual Trans. 1988-90
	5300 0580	1			Diesel Engine w/Manual Trans.
	5300 0704	1			w/Floor Mounted Gear Shift, w/Auto. Trans.
19	5500 4690	1			SEAL, Cover w/Auto. Trans.
20	J400 1701	AR			SCREW
21	J400 0499	1			PLUG
22	5500 6579	5			PLUG
23	5500 3285	1			SHIELD, Splash
24	1150 2453	4			SCREW, 1987-89
	3420 1895	4			1990
25	5501 0460	1			COVER, Transfer Case 2WD
26	3420 1277	5			SCREW, 2WD
27	3420 1578	5			NUT, 2WD
28	3420 1275	2			PLUG, 1987
	3420 2136	2			1988-89
29	5500 1903	1			BRACKET, Jack
30	5500 5177	2			BRACKET, Hand Brake Cable Mounting

MODEL CODES:

15 = Grand Wagoneer 4 Dr.	65 = Comanche 4WD-7 Ft. Box	77 = Cherokee 4WD-2 Dr.
25 = J-10 Pickup-119" W.B.	66 = Comanche 2WD-7 Ft. Box	78 = Cherokee 4WD-4 Dr.
26 = J-10 Pickup-131" W.B.	73 = Cherokee 2WD-2 Dr.	79 = Cherokee 4WD-4 Dr.-Com
27 = J-20 Pickup-131" W.B.	74 = Cherokee 2WD-4 Dr.	81 = Wrangler-93" W.B.
63 = Comanche 4WD-6 Ft. Box	75 = Wagoneer 4WD-4 Dr.	82 = Wrangler-103" W.B.-Exp.
64 = Comanche 2WD-6 Ft. Box		

BODY STYLES:

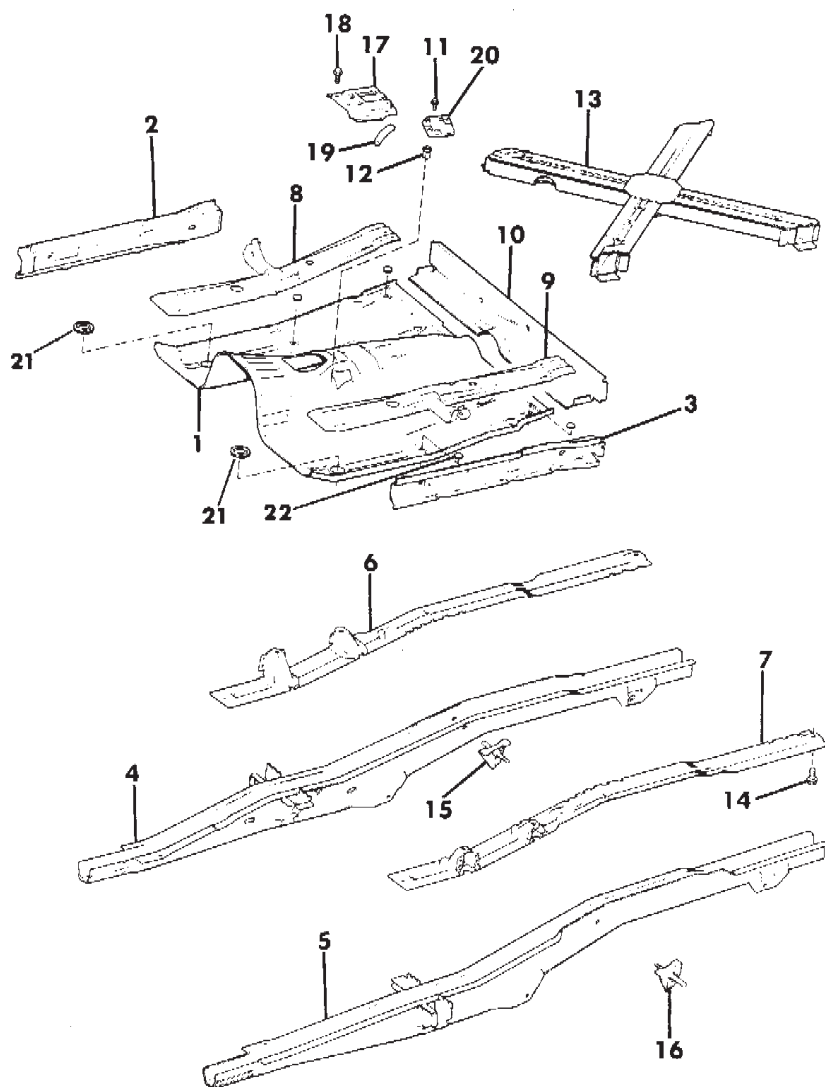
MJ = Comanche Pickup
 SJ = Grand Wagoneer Wgn., J-10 & J-20 Pickups
 XJ = Cherokee, Wagoneer Limited
 YJ = Wrangler

AR = Use as Required - = Non Illustrated Part P.A.R. = Paint as Required

PAN, FLOOR COMANCHE

Figure 23A-2100

8J69 2100



ITEM	PART NUMBER	QTY	BODY	MODEL	DESCRIPTION
1	5700 2183	1			PAN, Cab Floor
2-3	5700 0896-7	1			SILL, Body Side
4-5	5700 2178-9	1			RAIL, Cab and Pickup Box w/7 ft. pickup box
	5700 0946-7	1			w/6 ft. pickup box
6-7	5700 0902-3	1			REINFORCEMENT, Rail Frame w/7 ft. pickup box
	5700 0938-9	1			w/6 ft. pickup box
8-9	5700 0894-5	1			REINFORCEMENT, Cab Floor 1988-89
	5700 2184-5	1			1990
10	5500 3470	1			CROSSMEMBER, Rear Cab Floor
11	3420 1277	1			SCREW, 2WD
12	3420 1578	5			NUT, Sert 2WD
13	5700 0917	1			CROSSMEMBER, Rear Rail w/7 ft. pickup box
	5700 0935	1			w/6 ft. pickup box
14	1150 2606	6			BOLT
15-16	5501 5400-1	1			BRACKET, Shock Absorber
17	5300 0580	1			COVER, Transmission 4 Cyl. Engine w/Manual Trans.
	5300 5141	1			6 Cyl. Engine w/Manual Trans.
	5300 0704	1			w/Auto. Trans., w/Floor Mounted Gear Shift
	5500 9171	1			4WD, w/Column Mounted Gear Shift
	5500 7376	1			2WD, w/Column Mounted Gear Shift
	5300 4436	1			6 Cyl. W / 5 speed trans. 1987
18	J400 1701	9			SCREW
19	5500 4690	1			SEAL, Cover, w/Auto. Trans.
20	5501 0460	1			COVER, Transfer Case 2WD
21	3420 2136	2			PLUG
22	5500 6578	4			PLUG

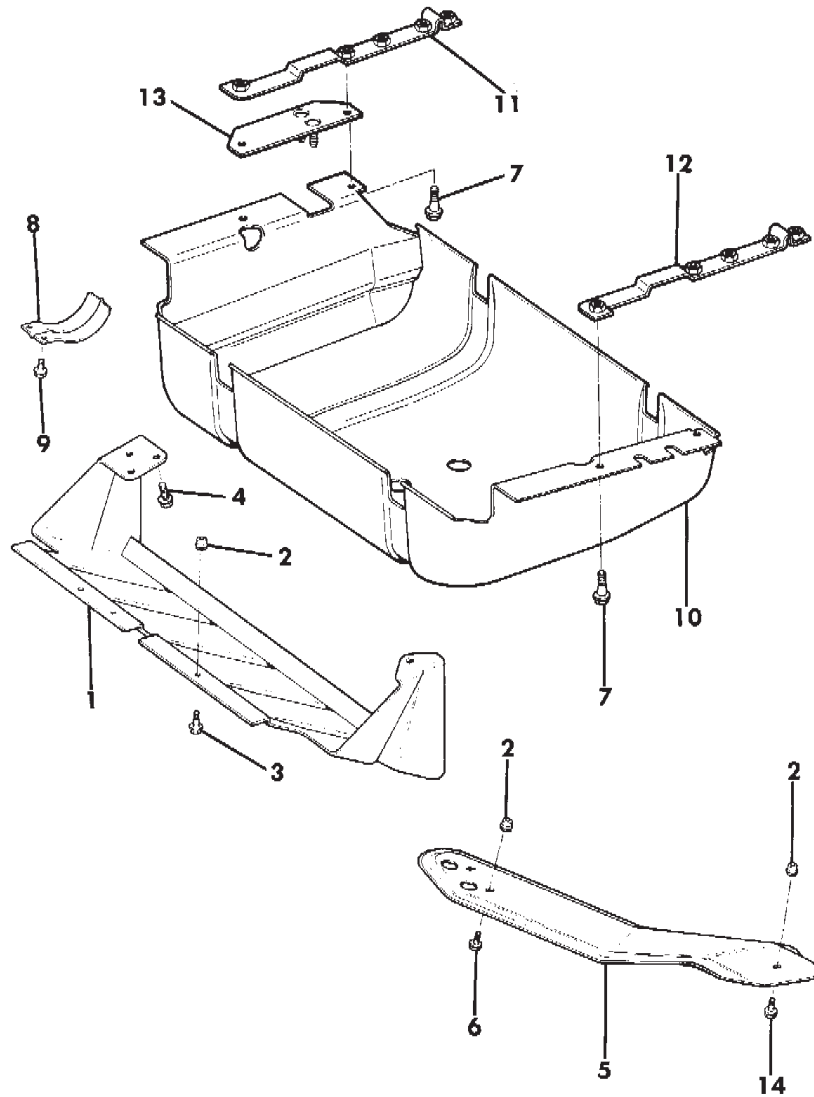
MODEL CODES:
 15 = Grand Wagoneer 4 Dr. 65 = Comanche 4WD-7 Ft. Box 77 = Cherokee 4WD-2 Dr.
 25 = J-10 Pickup-119" W.B. 66 = Comanche 2WD-7 Ft. Box 78 = Cherokee 4WD-4 Dr.
 26 = J-10 Pickup-131" W.B. 73 = Cherokee 2WD-2 Dr. 79 = Cherokee 4WD-4 Dr.-Com.
 27 = J-20 Pickup-131" W.B. 74 = Cherokee 2WD-4 Dr. 81 = Wrangler-93" W.B.
 63 = Comanche 4WD-6 Ft. Box 75 = Wagoneer 4WD-4 Dr. 82 = Wrangler-103" W.B.-Exp.
 64 = Comanche 2WD-6 Ft. Box

BODY STYLES:
 MJ = Comanche Pickup
 SJ = Grand Wagoneer Wgn., J-10 & J-20 Pickups
 XJ = Cherokee, Wagoneer Limited
 YJ = Wrangler

AR = Use as Required - = Non Illustrated Part P.A.R. = Paint as Required

PLATES, UNDERBODY SKID CHEROKEE, WAGONEER
Figure 23A-2200

8 J 69 2200



ITEM	PART NUMBER	QTY	BODY	MODEL	DESCRIPTION
1	8220 0613	1			PLATE, Skid 1987-89
2	3420 1575	6			NUTSERT
3	1150 2605	3			BOLT, 1987-89
	3420 1871	3			1990
4	3420 1540	3			BOLT
5	8220 0616	1			PLATE, Skid 1987-89
6	1150 2850	2			BOLT, 20 m.m.Long
7	3420 1964	4			BOLT, 1987-89
	1150 4922	4			1990
8	5300 0739	1			PLATE, Skid
9	3420 1033	2			BOLT, 1987-89
	1150 4284	2			1990
10	5200 1512	1			PLATE, Skid
11-12	5200 1174-5	1			REINFORCEMENT, Sill
13	5200 1511	1			BRACKET ASSEMBLY ***
14	3420 1936	1			BOLT, 35mm Long

MODEL CODES:

15 = Grand Wagoneer 4 Dr.	65 = Comanche 4WD-7 Ft. Box	77 = Cherokee 4WD-2 Dr.
25 = J-10 Pickup-119" W.B.	66 = Comanche 2WD-7 Ft. Box	78 = Cherokee 4WD-4 Dr.
26 = J-10 Pickup-131" W.B.	73 = Cherokee 2WD-2 Dr.	79 = Cherokee 4WD-4 Dr.-Com
27 = J-20 Pickup-131" W.B.	74 = Cherokee 2WD-4 Dr.	81 = Wrangler-93" W.B.
63 = Comanche 4WD-6 Ft. Box	75 = Wagoneer 4WD-4 Dr.	82 = Wrangler-103" W.B.-Exp.
64 = Comanche 2WD-6 Ft. Box		

BODY STYLES:

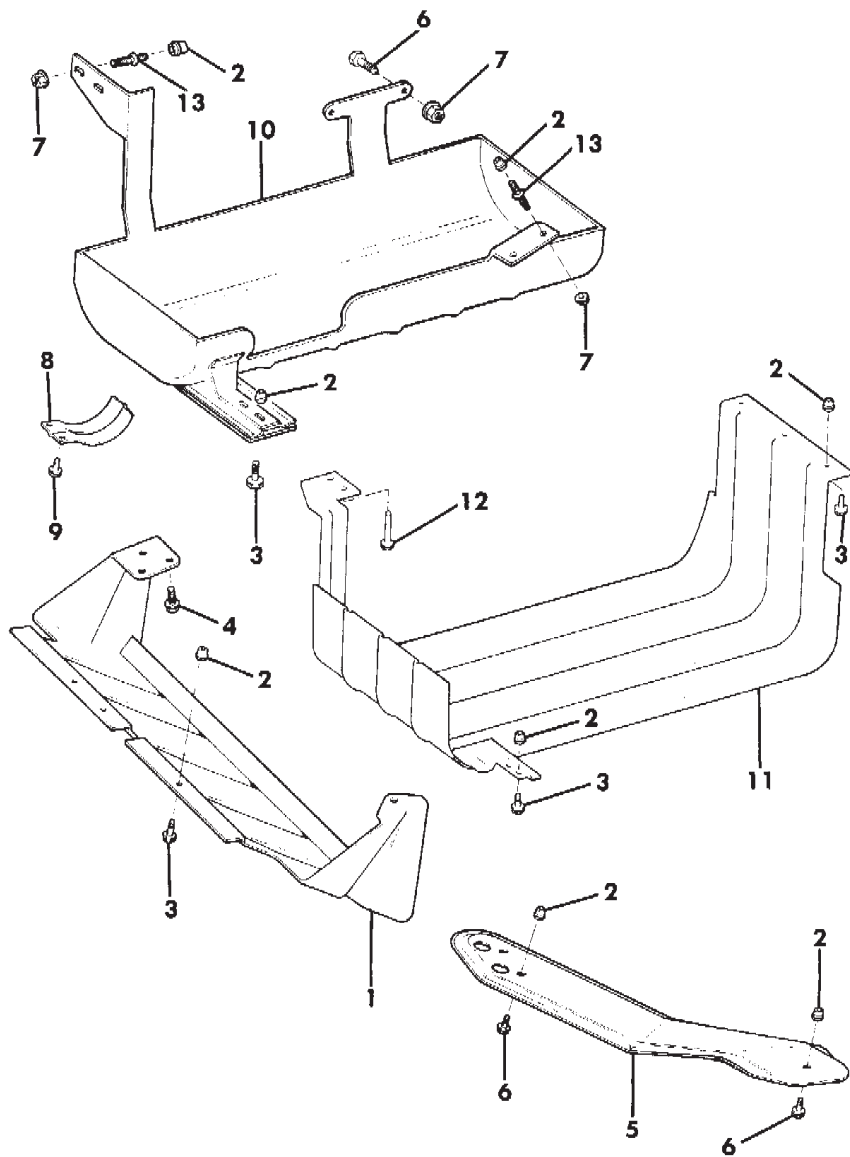
MJ = Comanche Pickup
 SJ = Grand Wagoneer Wgn., J-10 & J-20 Pickups
 XJ = Cherokee, Wagoneer Limited
 YJ = Wrangler

AR = Use as Required - = Non Illustrated Part P.A.R. = Paint as Required

PLATES, UNDERBODY SKID COMANCHE

Figure 23A-2300

8 J 69 2300



ITEM	PART NUMBER	QTY	BODY	MODEL	DESCRIPTION
1	8220 0613	1			PLATE, Skid 1987-90
2	3420 1575	AR			NUTSERT
3	1150 2605	AR			BOLT, 1987-89
	3420 1871	AR			1990
4	3420 1540	3			BOLT
5	8220 0616	1			PLATE, Skid
6	1150 2850	AR			BOLT
7	1150 1889	AR			NUT
8	5300 0739	1			PLATE, Skid
9	3420 1033	2			BOLT, 1987-89
	1150 4284	2			1990
10	5200 1806	1			PLATE, Skid, w/7 ft. pickup box
11	5200 2810	1			PLATE, Skid, w/6 ft. pickup box
12	3420 1559	2			BOLT
13	3420 2347	4			STUD

MODEL CODES:

15 = Grand Wagoneer 4 Dr.	65 = Comanche 4WD-7 Ft. Box	77 = Cherokee 4WD-2 Dr.
25 = J-10 Pickup-119" W.B.	66 = Comanche 2WD-7 Ft. Box	78 = Cherokee 4WD-4 Dr.
26 = J-10 Pickup-131" W.B.	73 = Cherokee 2WD-2 Dr.	79 = Cherokee 4WD-4 Dr.-Com
27 = J-20 Pickup-131" W.B.	74 = Cherokee 2WD-4 Dr.	81 = Wrangler-93" W.B.
63 = Comanche 4WD-6 Ft. Box	75 = Wagoneer 4WD-4 Dr.	82 = Wrangler-103" W.B.-Exp.
64 = Comanche 2WD-6 Ft. Box		

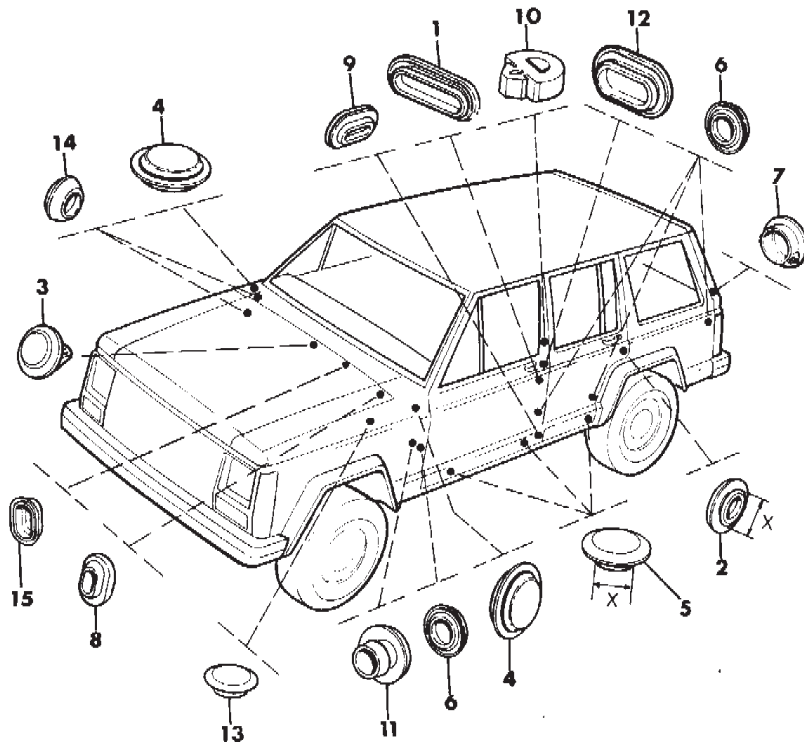
BODY STYLES:

MJ = Comanche Pickup
 SJ = Grand Wagoneer Wgn., J-10 & J-20 Pickups
 XJ = Cherokee, Wagoneer Limited
 YJ = Wrangler

AR = Use as Required - = Non Illustrated Part P.A.R. = Paint as Required

PLUGS, BODY CHEROKEE, WAGONEER, COMANCHE
Figure 23A-2400

8J69 2400 A



ITEM	PART NUMBER	QTY	BODY	MODEL	DESCRIPTION
1	5500 2368	2			PLUG
2	3420 2049	2			PLUG, for 16mm hole
3	5500 6578	2			PLUG, less factory air conditioning
4	J400 4649	4			PLUG
5					PLUG
	3420 1532	6			19.05mm Hole
	3420 1973	12			6.3mm Hole
6	5500 2367	8			PLUG
7	J400 6481	10			PLUG
8	5500 5400	2			PLUG
9	3420 1613	2			PLUG
10	J363 1398	6			BUMPER, Door
11	3420 1614	2			PLUG
12	5500 5259	4			PLUG
13	J400 5015	2			PLUG
14	J400 0377	2			PLUG
15	3420 2215	1			PLUG

MODEL CODES:

15 = Grand Wagoneer 4 Dr.	65 = Comanche 4WD-7 Ft. Box	77 = Cherokee 4WD-2 Dr.
25 = J-10 Pickup-119" W.B.	66 = Comanche 2WD-7 Ft. Box	78 = Cherokee 4WD-4 Dr.
26 = J-10 Pickup-131" W.B.	73 = Cherokee 2WD-2 Dr.	79 = Cherokee 4WD-4 Dr.-Com
27 = J-20 Pickup-131" W.B.	74 = Cherokee 2WD-4 Dr.	81 = Wrangler-93" W.B.
63 = Comanche 4WD-6 Ft. Box	75 = Wagoneer 4WD-4 Dr.	82 = Wrangler-103" W.B.-Exp.
64 = Comanche 2WD-6 Ft. Box		

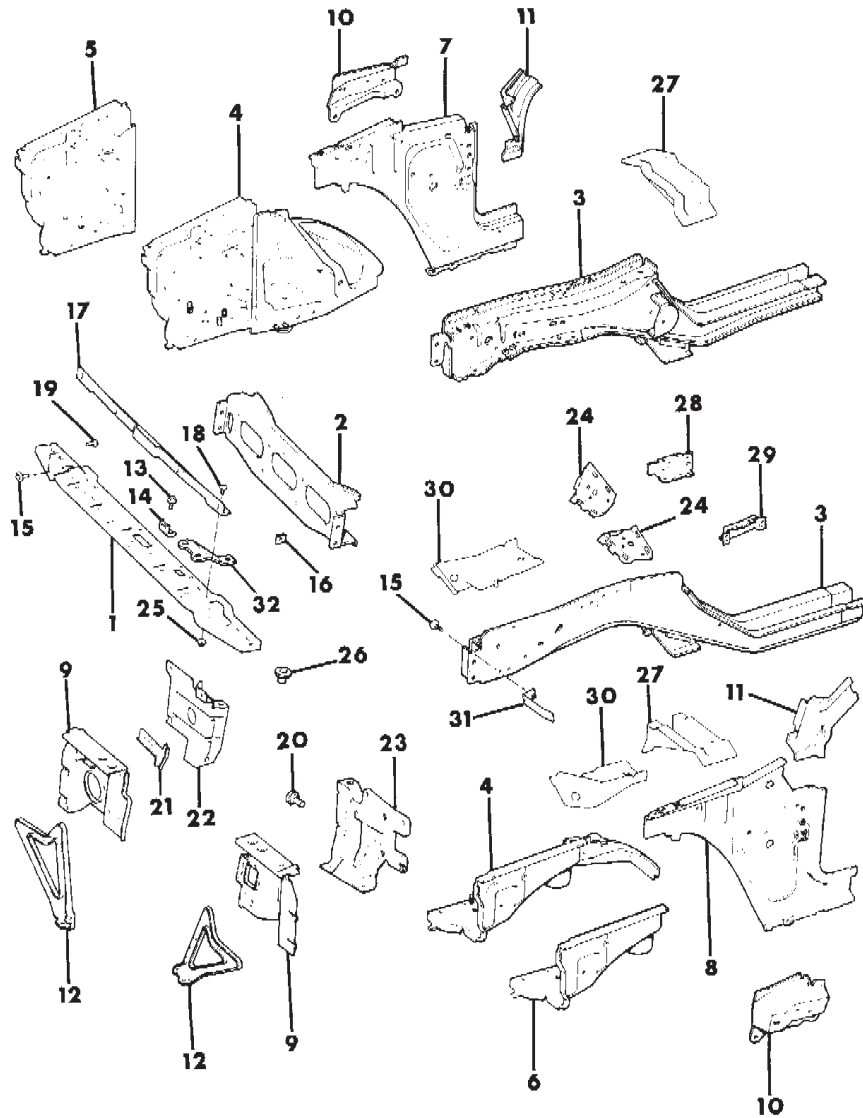
BODY STYLES:

MJ = Comanche Pickup
 SJ = Grand Wagoneer Wgn., J-10 & J-20 Pickups
 XJ = Cherokee, Wagoneer Limited
 YJ = Wrangler

AR = Use as Required - = Non Illustrated Part P.A.R. = Paint as Required

PANELS, FRONT END INNER AND WHEELHOUSE CHEROKEE, WAGONEER, COMANCHE
Figure 23A-2500

8J 69 2500 A



ITEM	PART NUMBER	QTY	BODY	MODEL	DESCRIPTION
1	8350 4652	1			CROSSMEMBER, Radiator Gas Engine
	5501 1035	1			Diesel Engine
	5500 9789	1			CROSSMEMBER, Front Sill
2					SILL, Body Side
3	5700 1758-9	1			1987-89
	5700 2532-3	1			1990
4	5700 1662-3	1			WHEELHOUSE, Assembly
5					WHEELHOUSE, Right
	5500 9204	1			1987-89
	5502 5948	1			1990
6	5502 4355	1			WHEELHOUSE
7					PANEL, Cowl Side, Right
	5700 0016	1			1987-89
	5700 2536	1			1990
8	5700 1290	1			PANEL, Cowl Side, Left
9	5700 0936-7	1			BAFFLE, Radiator
10	5500 4564-5	1			REINFORCEMENT, Cowl
11	5700 0202-3	1			REINFORCEMENT, Pillar
12	5501 3176-7	1			BRACE, Side Sill
13	3420 1809	8			SCREW
14	5500 9473	1			BRACKET
15	3420 1808	5			SCREW
16	1150 3714	7			NUT
17	5501 0074	1			BRACKET
18	3420 1450	4			SCREW
19	3420 2399	2			SCREW
20	J400 3110	2			BUMPER, Baffle
21	5501 4304	1			REINFORCEMENT, Diesel, 1987
22	5500 9188	1			SUPPORT, Radiator 4 Cyl. or Diesel Engine, Right
23	5500 9187	1			SUPPORT, Radiator 4 Cyl. or Diesel Engine, Left
24	5500 6948-9	1			REINFORCEMENT, Inner Sill
25	3420 1246	4			NUT, Hex
26	3420 1348	2			NUT, Well
27	5500 5008	2	MJ		SUPPORT, Cab
28	5501 1056	1	MJ		BRACKET, Engine, Rear
29	5501 1057	1	MJ		BRACKET, Engine, Rear

MODEL CODES:

15 = Grand Wagoneer 4 Dr.	65 = Comanche 4WD-7 Ft. Box	77 = Cherokee 4WD-2 Dr.
25 = J-10 Pickup-119" W.B.	66 = Comanche 2WD-7 Ft. Box	78 = Cherokee 4WD-4 Dr.
26 = J-10 Pickup-131" W.B.	73 = Cherokee 2WD-2 Dr.	79 = Cherokee 4WD-4 Dr.-Com
27 = J-20 Pickup-131" W.B.	74 = Cherokee 2WD-4 Dr.	81 = Wrangler-93" W.B.
63 = Comanche 4WD-6 Ft. Box	75 = Wagoneer 4WD-4 Dr.	82 = Wrangler-103" W.B.-Exp.
64 = Comanche 2WD-6 Ft. Box		

BODY STYLES:

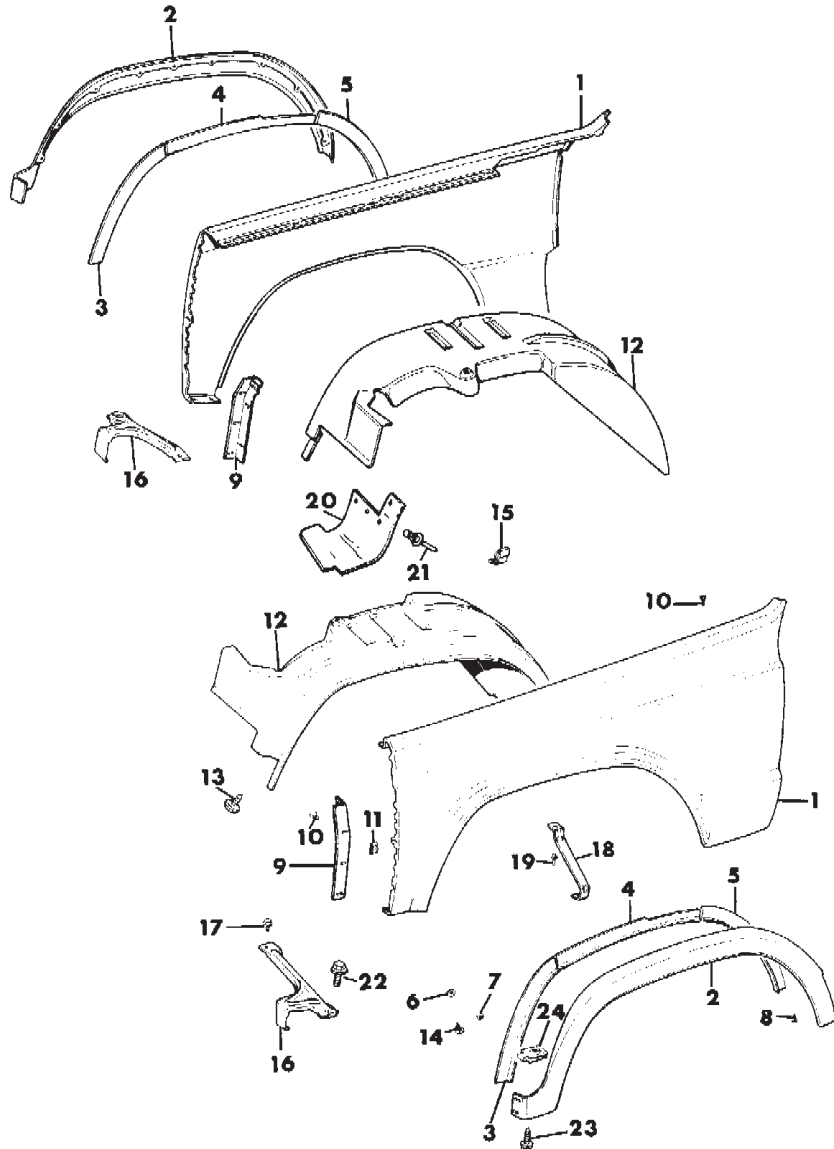
MJ = Comanche Pickup
 SJ = Grand Wagoneer Wgn., J-10 & J-20 Pickups
 XJ = Cherokee, Wagoneer Limited
 YJ = Wrangler

AR = Use as Required - = Non Illustrated Part P.A.R. = Paint as Required

FENDERS, FRONT CHEROKEE, WAGONEER, COMANCHE

Figure 23A-2600

8J 69 2600 A



ITEM	PART NUMBER	QTY	BODY	MODEL	DESCRIPTION
1					FENDER
	5700 0066-7	1		75	Modification Required
	5700 0066-7	1			Cherokee, Comanche
2					APPLIQUE, Fender, P.A.R.
	5501 3610-1	1			1987-89
	5AG08-9 JX8	1			Black, 1990
	5AG30-1 JX9	1			Flat Black, 1990
3	5500 3232-3	1			RETAINER, Applique
4	5500 3234	2			RETAINER, Applique
5	5500 3236-7	1			RETAINER, Applique
6	J420 0408	18			NUT
7	S150 4122	AR			NUT
8	1150 2843	4			SCREW
9	5500 1112-3	1			SUPPORT
10	3420 1661	AR			SCREW
11	1150 3714	AR			NUT
12	5500 1890-1	1			PANEL, Inner Protective
13	J400 4919	16			FASTENER
14	J400 7117	14			SCREW
15	J368 9548	2			BUMPER, Hood
16	5500 4222-3	1			BRACE
17	1150 2453	2			SCREW, 1987
	3420 2575	2			1988-90
18	5500 3652	2			BRACE
19	3420 1208	2			RIVET
20	5500 6274	2			SEAL
21	3420 1631	8			RIVET
22	3420 1790	2			SCREW, 1987
	3420 1895	2			1988-90
23	3420 2358	4			SCREW
24	J044 5446	2			NUT

MODEL CODES:

15 = Grand Wagoneer 4 Dr.	65 = Comanche 4WD-7 Ft. Box	77 = Cherokee 4WD-2 Dr.
25 = J-10 Pickup-119" W.B.	66 = Comanche 2WD-7 Ft. Box	78 = Cherokee 4WD-4 Dr.
26 = J-10 Pickup-131" W.B.	73 = Cherokee 2WD-2 Dr.	79 = Cherokee 4WD-4 Dr.-Com.
27 = J-20 Pickup-131" W.B.	74 = Cherokee 2WD-4 Dr.	81 = Wrangler-93" W.B.
63 = Comanche 4WD-6 Ft. Box	75 = Wagoneer 4WD-4 Dr.	82 = Wrangler-103" W.B.-Exp.
64 = Comanche 2WD-6 Ft. Box		

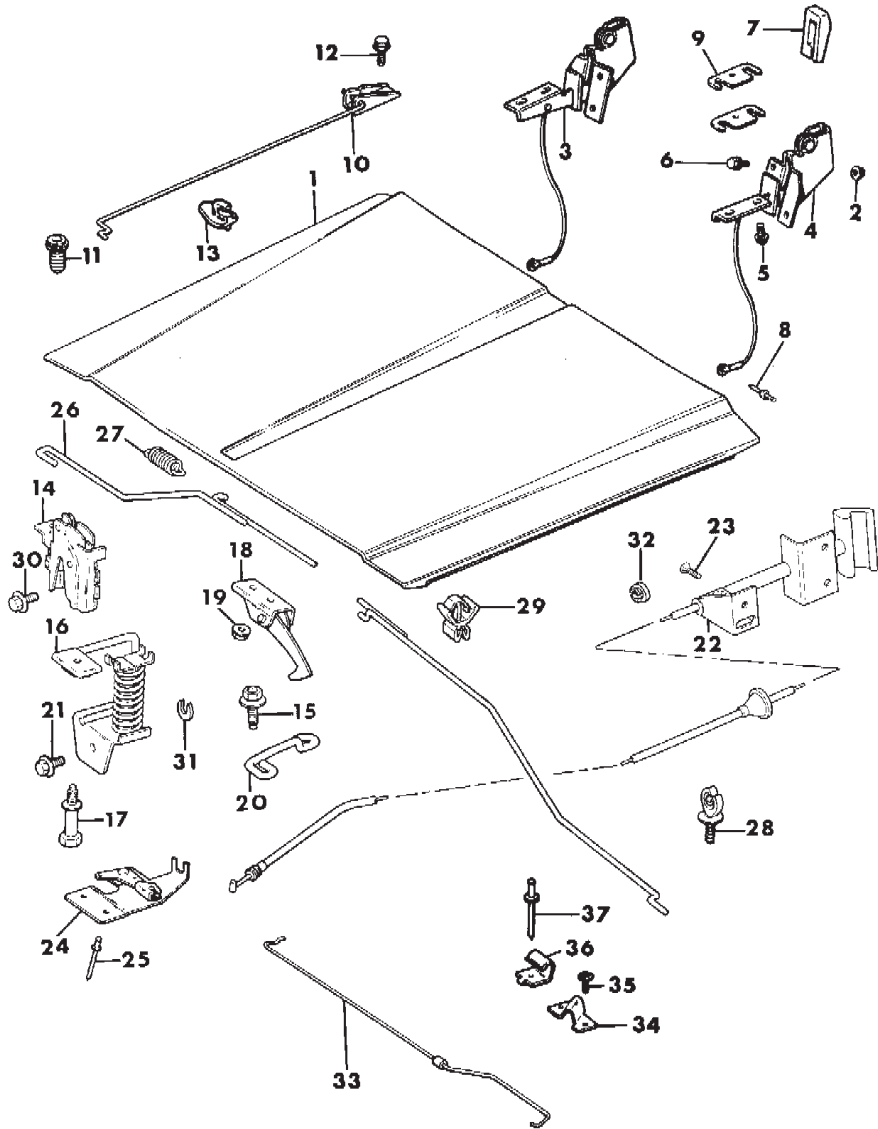
BODY STYLES:

MJ = Comanche Pickup
 SJ = Grand Wagoneer Wgn., J-10 & J-20 Pickups
 XJ = Cherokee, Wagoneer Limited
 YJ = Wrangler

AR = Use as Required - = Non Illustrated Part P.A.R. = Paint as Required

HOOD, LATCH AND HINGES CHEROKEE, WAGONEER, COMANCHE
Figure 23A-2700

8J69 2700 A



ITEM	PART NUMBER	QTY	BODY	MODEL	DESCRIPTION
1	5700 1769	1			HOOD
2	3420 1246	6			NUT
3-4	5500 0738-9	1			HINGE, Hood
5	3420 1818	4			SCREW
6	3420 1358	6			SCREW
7	5500 1982	2			SEAL
8	J400 5791	2			RIVET
9	J068 0435	4			SHIM
10	5501 7480	1			ROD
11	3420 1347	2			STOP, Hood
12					SCREW
	3420 1726	1			1987
	3420 2205	2			1988-89
	3420 1807	2			1990
13					CLIP, Hood Prop Rod
	3420 2710	1			1987-89
	5502 7404	1			1990
14	5500 9172	2			LOCK ASSEMBLY, Hood
15					SCREW
	3420 1769	2			1987
	3420 1970	2			1988-90
16	5500 9994	2			STRIKER, Latch
17	3420 2679	2			BOLT
18	5500 9998	1			LOCK ASSEMBLY, Hood
19	1150 3750	2			NUT
20	5500 9999	1			STRIKER, Latch
21	3420 2338	2			SCREW
22	5502 6030	2			CABLE, Hood Release
23	3420 1453	3			SCREW
24	5501 3354	1			BELLCRANK ASSEMBLY
25	3420 1208	2			RIVET
26	5500 9995	1			ROD, Hood Latch
27	J501 6028	1			SPRING
28	3200 0404	2			CLIP
29	3420 2688	2			CLIP
30	3420 2005	2			SCREW
31	3420 2581	AR			SHIM

MODEL CODES:

15 = Grand Wagoneer 4 Dr.	65 = Comanche 4WD-7 Ft. Box	77 = Cherokee 4WD-2 Dr.
25 = J-10 Pickup-119" W.B.	66 = Comanche 2WD-7 Ft. Box	78 = Cherokee 4WD-4 Dr.
26 = J-10 Pickup-131" W.B.	73 = Cherokee 2WD-2 Dr.	79 = Cherokee 4WD-4 Dr.-Com
27 = J-20 Pickup-131" W.B.	74 = Cherokee 2WD-4 Dr.	81 = Wrangler-93" W.B.
63 = Comanche 4WD-6 Ft. Box	75 = Wagoneer 4WD-4 Dr.	82 = Wrangler-103" W.B.-Exp.
64 = Comanche 2WD-6 Ft. Box		

BODY STYLES:

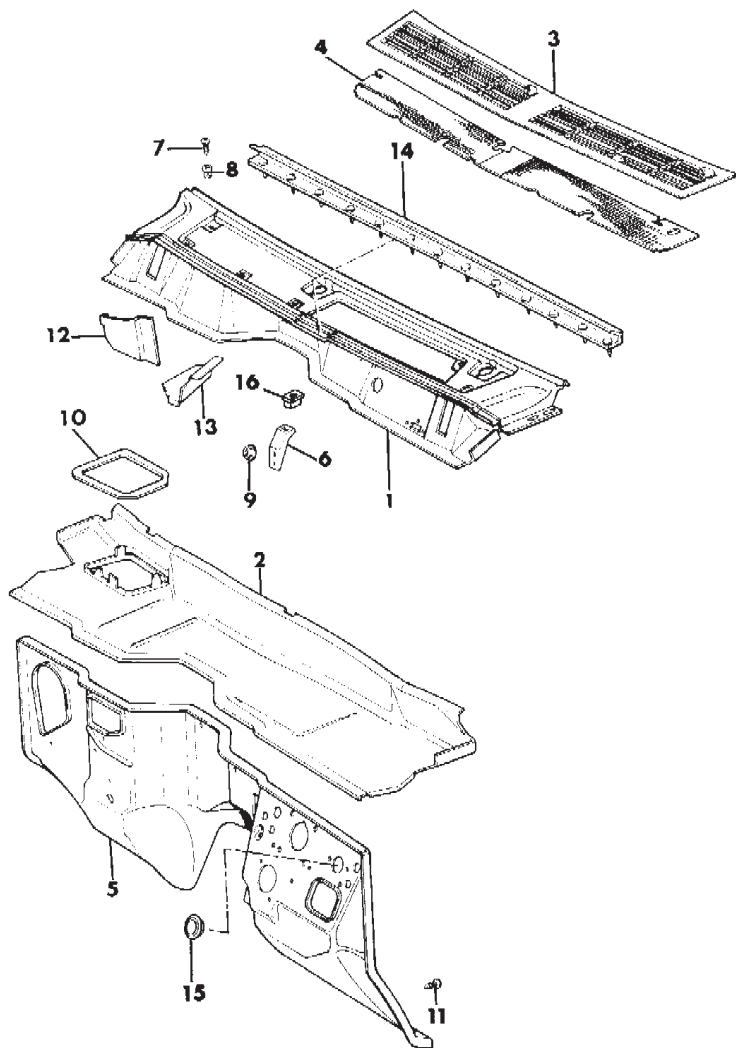
MJ = Comanche Pickup
 SJ = Grand Wagoneer Wgn., J-10 & J-20 Pickups
 XJ = Cherokee, Wagoneer Limited
 YJ = Wrangler

AR = Use as Required - = Non Illustrated Part P.A.R. = Paint as Required

PANELS, COWL AND DASH CHEROKEE, WAGONEER, COMANCHE

Figure 23A-2800

8J69 2800A



ITEM	PART NUMBER	QTY	BODY	MODEL	DESCRIPTION
1					PANEL, Cowl Top
	5700 1352	1			1987-89
	5700 2540	1			1990
2	5700 1724	1			PANEL, Air Chamber
3	5500 8832	1			GRILLE, Cowl Top
4	5500 8833	1			SCREEN, Grille
5	5700 1160	1			PANEL, Dash
6	5500 4869	1			BRACKET, Extension
7	3420 1230	8			SCREW
8	J400 5242	6			NUT
9	3420 1358	2			NUT
10	5500 1008	1			SEAL, Heater Opening
11	J400 7117	6			FASTENER
12	5500 6544	1			SHIELD, Plenum Drain
13	5500 4918	1			SHIELD, Cowl Top
14	5500 2649	1			SEAL, Cowl Top
15	J400 0334	1			PLUG
16	3420 1872	1			NUT

MODEL CODES:

15 = Grand Wagoneer 4 Dr.	65 = Comanche 4WD-7 Ft. Box	77 = Cherokee 4WD-2 Dr.
25 = J-10 Pickup-119" W.B.	66 = Comanche 2WD-7 Ft. Box	78 = Cherokee 4WD-4 Dr.
26 = J-10 Pickup-131" W.B.	73 = Cherokee 2WD-2 Dr.	79 = Cherokee 4WD-4 Dr.-Com
27 = J-20 Pickup-131" W.B.	74 = Cherokee 2WD-4 Dr.	81 = Wrangler-93" W.B.
63 = Comanche 4WD-6 Ft. Box	75 = Wagoneer 4WD-4 Dr.	82 = Wrangler-103" W.B.-Exp.
64 = Comanche 2WD-6 Ft. Box		

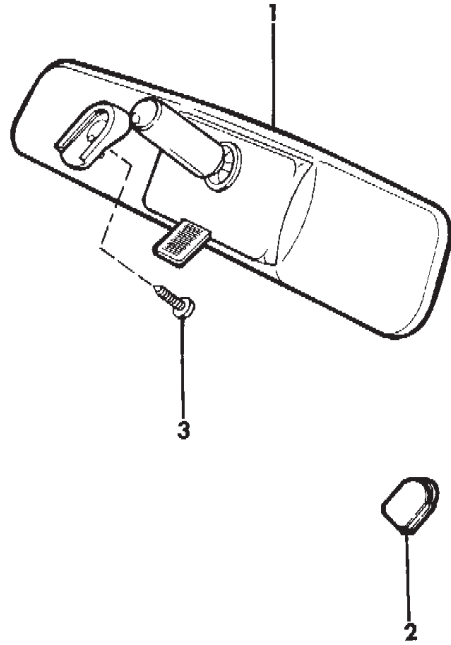
BODY STYLES:

MJ = Comanche Pickup
 SJ = Grand Wagoneer Wgn., J-10 & J-20 Pickups
 XJ = Cherokee, Wagoneer Limited
 YJ = Wrangler

AR = Use as Required - = Non Illustrated Part P.A.R. = Paint as Required

MIRROR INSIDE REAR VIEW CHEROKEE, WAGONEER, COMANCHE
Figure 23A-2900

8 J69 2900



ITEM	PART NUMBER	QTY	BODY	MODEL	DESCRIPTION
1	3500 7638	1			MIRROR, Inside Rear View
2	J365 7374	1			SUPPORT, Inside Rear View Mirror (See note a)
3	J400 5766	1			SCREW

(a) The Mirror Support is Replacing Mirror Mounting Kit. When installing a Mirror Support, Use Locktite #312 Adhesive and the Accelerator. (A) For 1987, two types of instrument clusters were used. On type one, Clusters, the odometer numbers are rounded

MODEL CODES:
 15 = Grand Wagoneer 4 Dr. 65 = Comanche 4WD-7 Ft. Box 77 = Cherokee 4WD-2 Dr.
 25 = J-10 Pickup-119" W.B. 66 = Comanche 2WD-7 Ft. Box 78 = Cherokee 4WD-4 Dr.
 26 = J-10 Pickup-131" W.B. 73 = Cherokee 2WD-2 Dr. 79 = Cherokee 4WD-4 Dr.-Com
 27 = J-20 Pickup-131" W.B. 74 = Cherokee 2WD-4 Dr. 81 = Wrangler-93" W.B.
 63 = Comanche 4WD-6 Ft. Box 75 = Wagoneer 4WD-4 Dr. 82 = Wrangler-103" W.B.-Exp.
 64 = Comanche 2WD-6 Ft. Box

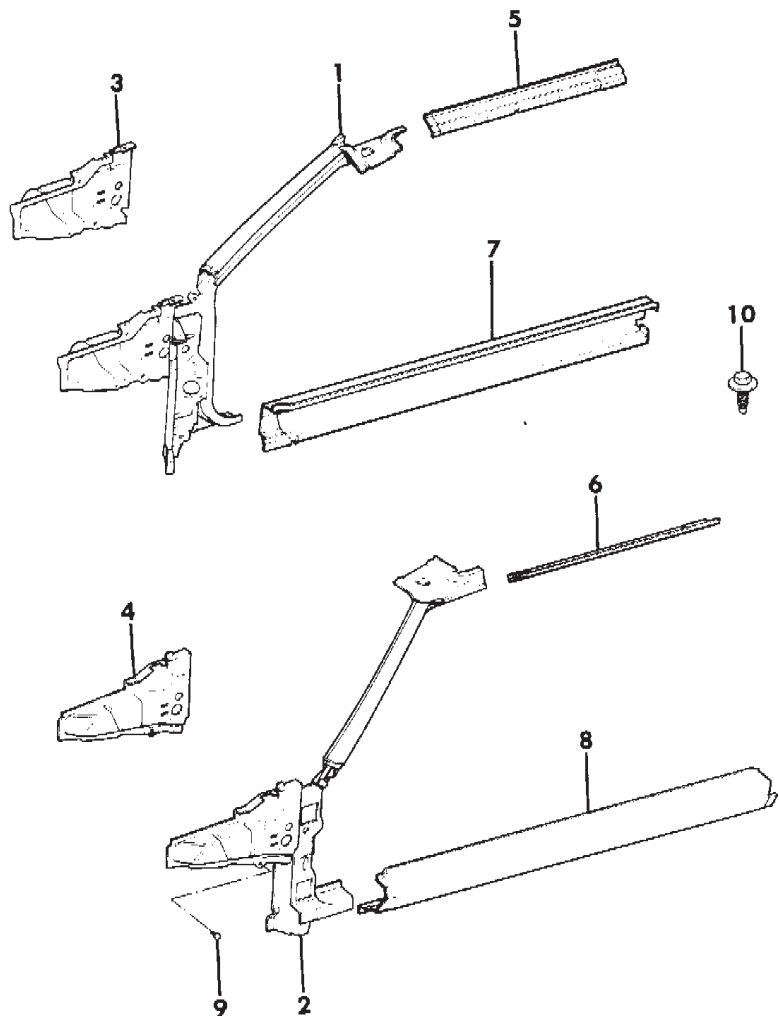
BODY STYLES:
 MJ = Comanche Pickup
 SJ = Grand Wagoneer Wgn., J-10 & J-20 Pickups
 XJ = Cherokee, Wagoneer Limited
 YJ = Wrangler

AR = Use as Required - = Non Illustrated Part P.A.R. = Paint as Required

PANELS, BODY SIDE CHEROKEE 2 DOOR

Figure 23A-3000

8J69 3000



ITEM	PART NUMBER	QTY	BODY	MODEL	DESCRIPTION
1	5700 0993	1			PILLAR, Hinge, Right 1987-89
	8350 7060	1			1990
2	5700 0996	1			PILLAR, Hinge, Left 1987-89
	8350 7061	1			1990
3-4	5500 0848-9	1			PANEL, Cowl Side
5-6	5500 1006-7	1			RAIL, Roof Side
7-8	5500 1274-5	1			PANEL, Rocker
9	J400 7117	4			FASTENER, Cowl Panel
10	3420 1768	2			SCREW

MODEL CODES:

15 = Grand Wagoneer 4 Dr.	65 = Comanche 4WD-7 Ft. Box	77 = Cherokee 4WD-2 Dr.
25 = J-10 Pickup-119" W.B.	66 = Comanche 2WD-7 Ft. Box	78 = Cherokee 4WD-4 Dr.
26 = J-10 Pickup-131" W.B.	73 = Cherokee 2WD-2 Dr.	79 = Cherokee 4WD-4 Dr.-Com
27 = J-20 Pickup-131" W.B.	74 = Cherokee 2WD-4 Dr.	81 = Wrangler-93" W.B.
63 = Comanche 4WD-6 Ft. Box	75 = Wagoneer 4WD-4 Dr.	82 = Wrangler-103" W.B.-Exp.
64 = Comanche 2WD-6 Ft. Box		

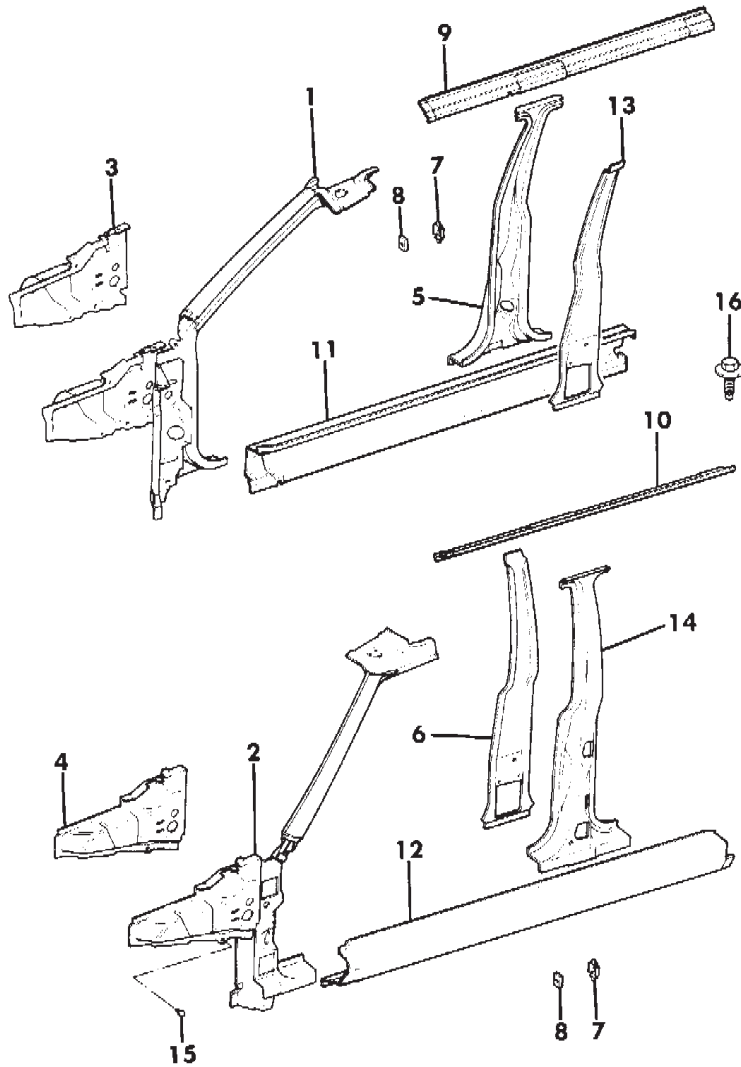
BODY STYLES:

MJ = Comanche Pickup
 SJ = Grand Wagoneer Wgn., J-10 & J-20 Pickups
 XJ = Cherokee, Wagoneer Limited
 YJ = Wrangler

AR = Use as Required - = Non Illustrated Part P.A.R. = Paint as Required

PANELS, BODY SIDE CHEROKEE, WAGONEER 4 DOOR
Figure 23A-3100

8 J69 3100



ITEM	PART NUMBER	QTY	BODY	MODEL	DESCRIPTION
1	5700 0993	1			PILLAR, Hinge, Right 1987-89
	8350 7060	1			1990
2	5700 0996	1			PILLAR, Hinge, Left 1987-89
	8350 7061	1			1990
3-4	5500 0848-9	1			PANEL, Cowl Side
5	5700 0126	1			PANEL, Center Pillar, Right
6	5534 4717	1			REINFORCEMENT, Left, (Modify Hole For Dome Switch Mounting)
7	5500 1284	2			RETAINER, Striker
8	5500 1286	2			PLATE, Striker
9-10	5500 0846-7	1			RAIL, Roof Side
11-12	5500 0174-5	1			PANEL, Rocker
13	5500 0104	1			REINFORCEMENT, Right
14	5700 0127	1			PANEL, Center Pillar, Left
15	J400 7117	4			FASTENER, Cowl Panel
16	3420 1768	6			SCREW

MODEL CODES:

15 = Grand Wagoneer 4 Dr.	65 = Comanche 4WD-7 Ft. Box	77 = Cherokee 4WD-2 Dr.
25 = J-10 Pickup-119" W.B.	66 = Comanche 2WD-7 Ft. Box	78 = Cherokee 4WD-4 Dr.
26 = J-10 Pickup-131" W.B.	73 = Cherokee 2WD-2 Dr.	79 = Cherokee 4WD-4 Dr.-Com.
27 = J-20 Pickup-131" W.B.	74 = Cherokee 2WD-4 Dr.	81 = Wrangler-93" W.B.
63 = Comanche 4WD-6 Ft. Box	75 = Wagoneer 4WD-4 Dr.	82 = Wrangler-103" W.B.-Exp.
64 = Comanche 2WD-6 Ft. Box		

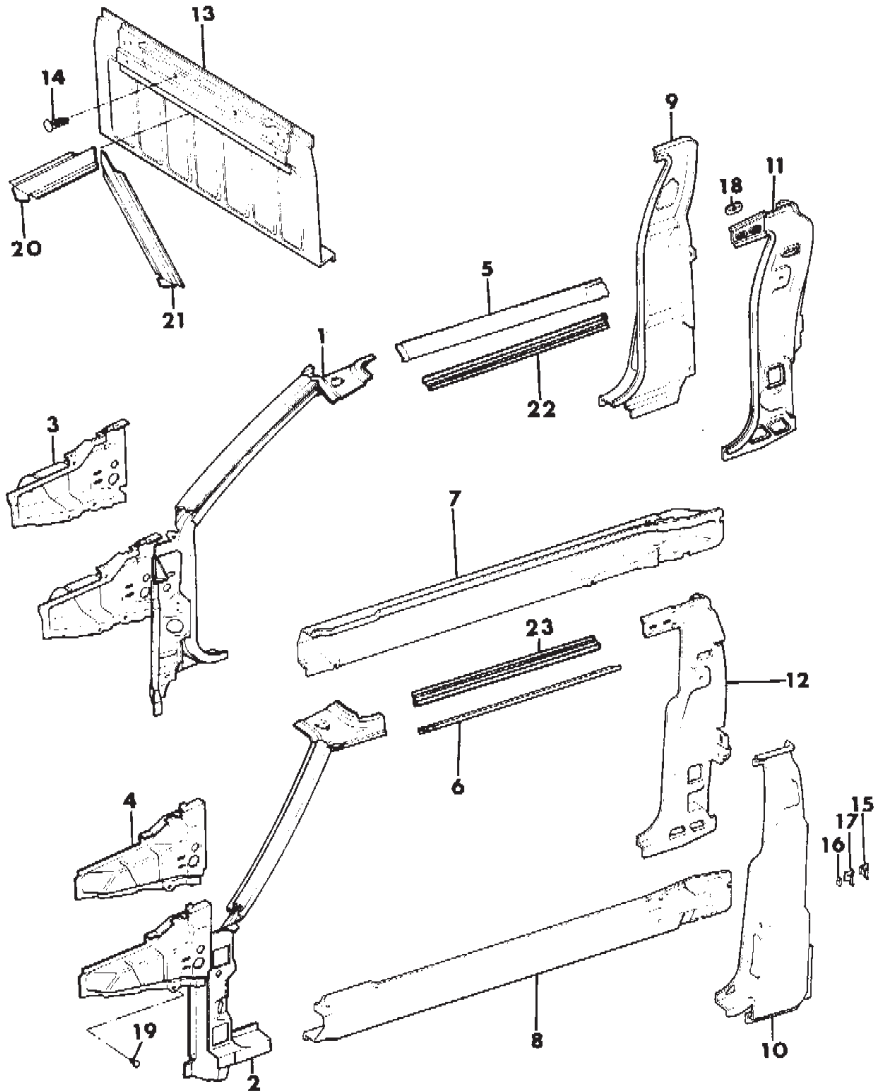
BODY STYLES:

MJ = Comanche Pickup
SJ = Grand Wagoneer Wgn., J-10 & J-20 Pickups
XJ = Cherokee, Wagoneer Limited
YJ = Wrangler

AR = Use as Required - = Non Illustrated Part P.A.R. = Paint as Required

PANELS, BODY SIDE AND REAR COMANCHE
Figure 23A-3200

8J69 3200



ITEM	PART NUMBER	QTY	BODY	MODEL	DESCRIPTION
1					PILLAR, Hinge, Right
	5700 0993	1			1987-89
	8350 7060	1			1990
2					PILLAR, Hinge, Left
	5700 0996	1			1987-89
	8350 7061	1			1990
3-4	5500 0848-9	1			PANEL, Cowl Side
5-6	5500 3420-1	1			RAIL, Roof Side
7-8	5700 0856-7	1			PANEL, Rocker
9-10	5700 0858-9	1			PANEL, Rear Quarter
11-12	5700 0852-3	1			REINFORCEMENT, Lock Pillar
13	5700 0923	1			PANEL, Cab Rear
14	J400 4919	2			FASTENER
15	5700 0160	2			PLATE ASSEMBLY, Striker ***
16	5500 1286	1			PLATE, Striker
17	5500 1284	2			RETAINER, Striker
18	5500 2816	2			PLATE, Shoulder Harness
19	J400 7117	4			FASTENER, Cowl Panel
20-21	5501 7970-1	1			REINFORCEMENT, Panel
22-23	5500 3422-3	1			RAIL, Roof Side Inner

MODEL CODES:

15 = Grand Wagoneer 4 Dr.	65 = Comanche 4WD-7 Ft. Box	77 = Cherokee 4WD-2 Dr.
25 = J-10 Pickup-119" W.B.	66 = Comanche 2WD-7 Ft. Box	78 = Cherokee 4WD-4 Dr.
26 = J-10 Pickup-131" W.B.	73 = Cherokee 2WD-2 Dr.	79 = Cherokee 4WD-4 Dr.-Com.
27 = J-20 Pickup-131" W.B.	74 = Cherokee 2WD-4 Dr.	81 = Wrangler-93" W.B.
63 = Comanche 4WD-6 Ft. Box	75 = Wagoneer 4WD-4 Dr.	82 = Wrangler-103" W.B.-Exp.
64 = Comanche 2WD-6 Ft. Box		

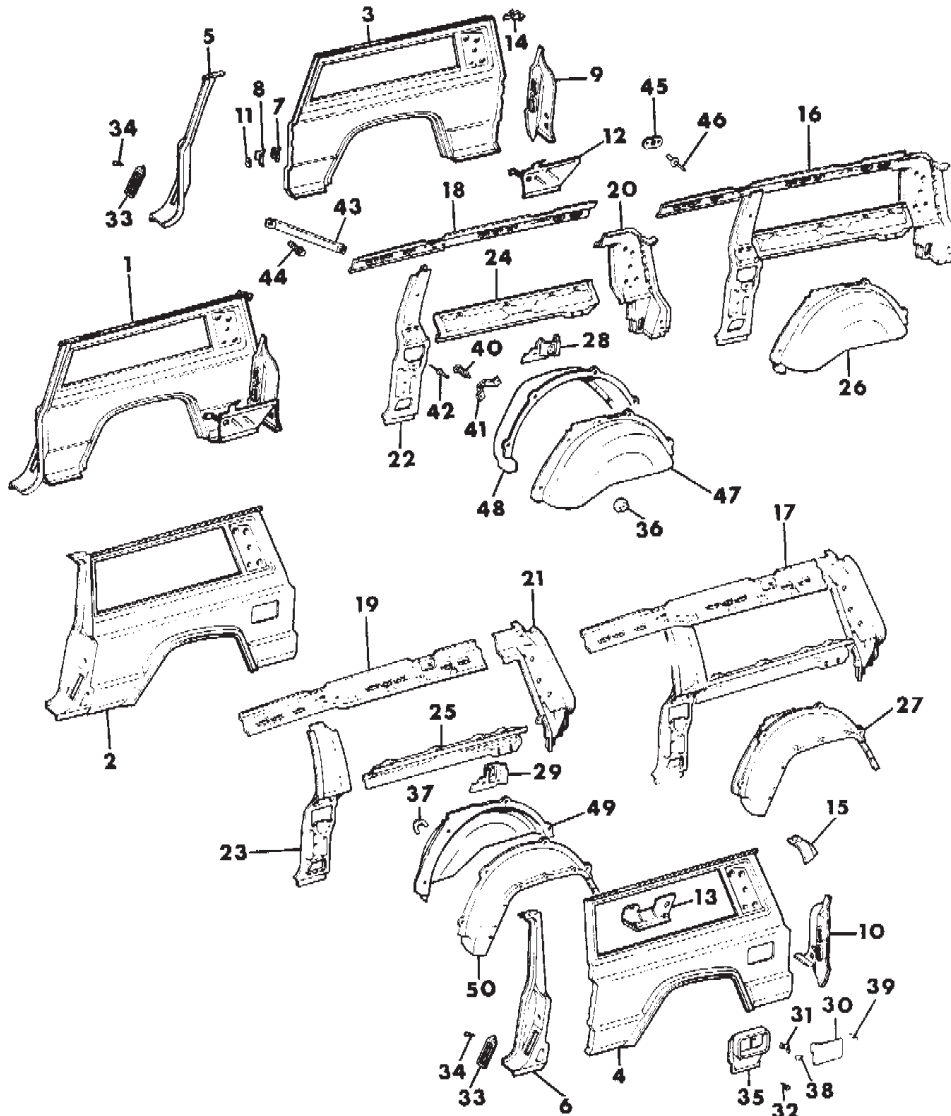
BODY STYLES:

MJ = Comanche Pickup
 SJ = Grand Wagoneer Wgn., J-10 & J-20 Pickups
 XJ = Cherokee, Wagoneer Limited
 YJ = Wrangler

AR = Use as Required - = Non Illustrated Part P.A.R. = Paint as Required

PANELS, REAR QUARTER CHEROKEE 2 DOOR
Figure 23A-3300

8J69 3300



ITEM	PART NUMBER	QTY	BODY	MODEL	DESCRIPTION
1	5700 0150-1	1			PANEL ASSEMBLY, Rear Quarter
2	5500 0160-1	1			PANEL, Rear Quarter 1987-89
	5502 5790-1	1			1990
3	5500 0866-7	1			PILLAR, Lock
4	5700 0576	2			PLATE ASSEMBLY, Striker ***
5	5500 1284	2			RETAINER, Striker
6	5500 4112-3	1			PANEL, Taillamp
7	5500 1286	2			PLATE, Striker
8	5500 0026-7	1			PANEL, Side Extension
9	5500 1014-5	1			EXTENSION, Panel
10	5700 0174-5	1			PANEL, Rear Quarter Inner
11					RAIL, Roof Side
	5500 0156-7	1			1987-89
	5502 5564-5	1			1990
12	5700 0156-7	1			PILLAR, Lift Door Opening
13	5700 0158-9	1			REINFORCEMENT
14					RAIL, Rear Quarter Belt
	5500 0162-3	1			1987-89
	5502 5568-9	1			1990
15	5500 0146-7	1			PANEL, Wheelhouse Inner
16	5500 0144-5	1			PANEL, Wheelhouse Outer
17	5500 2120-1	1			BRACKET, Seat Latch
18	5500 0819	1			DOOR, Fuel Filler
19	5500 4206	1			SPRING, Door
20	T308 8001	2			SCREW, 1987 (Not Serv.)
	3420 2399	2			1988-90
21	5500 1980	2			EXHAUSTER, Air ***
22	J400 1724	2			SCREW
23	5700 0177	1			HOUSING, Fuel Filler
24	5500 1231	1			BRACKET, Hinge Pivot
25	5500 0413	1			BRACKET, Hinge Pivot
26	J063 5787	1			BUMPER, Door
27	3420 1812	1			BUMPER, Door
28	J400 7117	2			FASTENER
29	5500 2662	4			BRACKET, Body
30	3420 1032	8			RIVET

MODEL CODES:

15 = Grand Wagoneer 4 Dr.	65 = Comanche 4WD-7 Ft. Box	77 = Cherokee 4WD-2 Dr.
25 = J-10 Pickup-119" W.B.	66 = Comanche 2WD-7 Ft. Box	78 = Cherokee 4WD-4 Dr.
26 = J-10 Pickup-131" W.B.	73 = Cherokee 2WD-2 Dr.	79 = Cherokee 4WD-4 Dr.-Com
27 = J-20 Pickup-131" W.B.	74 = Cherokee 2WD-4 Dr.	81 = Wrangler-93" W.B.
63 = Comanche 4WD-6 Ft. Box	75 = Wagoneer 4WD-4 Dr.	82 = Wrangler-103" W.B.-Exp.
64 = Comanche 2WD-6 Ft. Box		

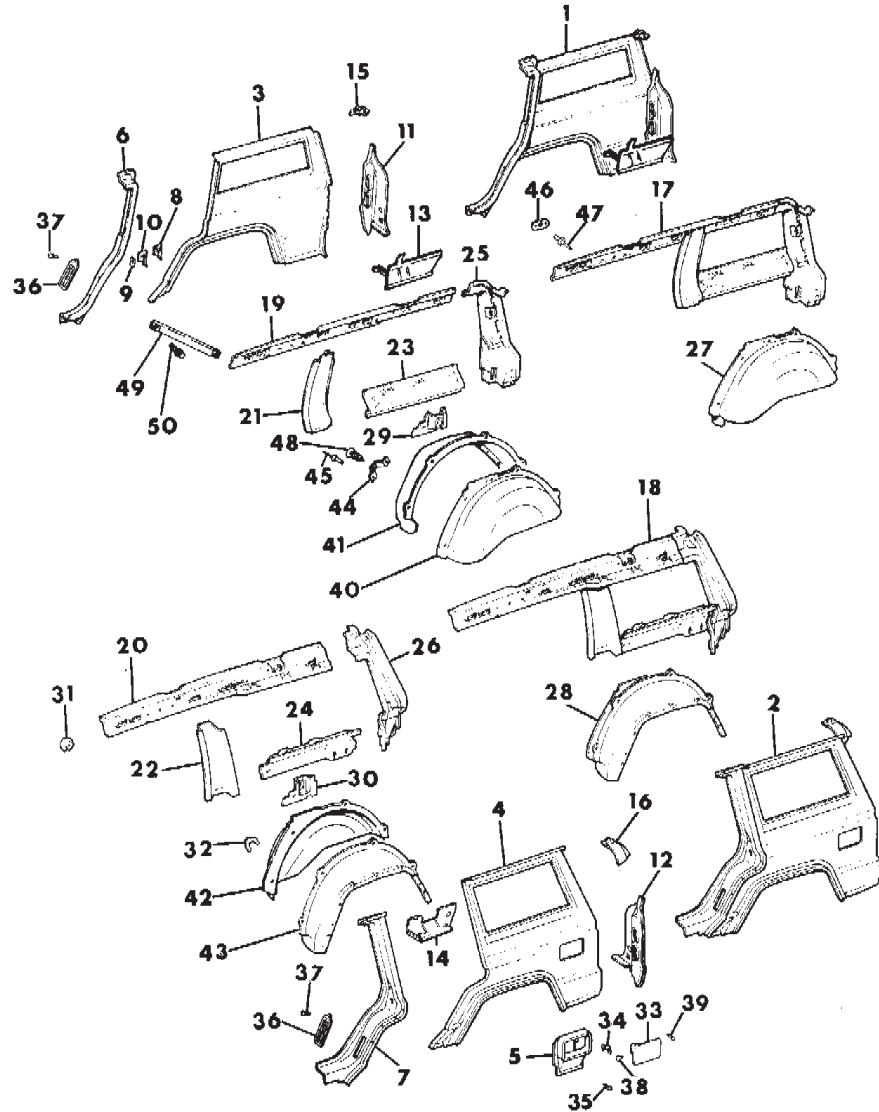
BODY STYLES:

MJ = Comanche Pickup
 SJ = Grand Wagoneer Wgn., J-10 & J-20 Pickups
 XJ = Cherokee, Wagoneer Limited
 YJ = Wrangler

AR = Use as Required - = Non Illustrated Part P.A.R. = Paint as Required

PANELS, REAR QUARTER CHEROKEE, WAGONEER 4 DOOR
Figure 23A-3400

8J69 3400 A



ITEM	PART NUMBER	QTY	BODY	MODEL	DESCRIPTION
1	5700 0130-1	1			PANEL ASSEMBLY, Rear Quarter
2	5500 0094-5	1			PANEL, Rear Quarter
3	5700 0177	1			HOUSING, Fuel Filler
4	5500 0844-5	1			PILLAR, Lock
5	5700 0160	2			PLATE ASSEMBLY, Striker ***
6	5500 1286	2			PLATE, Striker
7	5500 1284	2			RETAINER, Striker
8	5500 4112-3	1			PANEL, Taillamp
9	5500 0026-7	1			PANEL, Side Extension
10	5500 1014-5	1			EXTENSION, Panel
11	5700 0142-3	1			PANEL, Rear Quarter Inner
12	5500 0092-3	1			RAIL, Roof Side 1987-89
	5502 5562-3	1			1990
13	5500 0116-7	1			REINFORCEMENT
14	5500 0130-1	1			RAIL, Rear Quarter Belt 1987-89
	5502 5566-7	1			1990
15	5700 0136-7	1			PILLAR, Lift Door Opening
16	5500 6218	2			BRACE, Door Lock Striker
17	3420 2036	4			SCREW ***
18	5500 2120-1	1			BRACKET, Seat Latch
19	5500 1231	1			BRACKET, Hinge Pivot
20	5500 0413	1			BRACKET, Hinge Pivot
21	5500 0819	1			DOOR, Fuel Filler
22	5500 4206	1			SPRING, Door
23	T300 8001	2			SCREW 1987
	3420 2399	2			1988-90
24	5500 1980	2			EXHAUSTER, Air ***
25	J400 1724	2			SCREW
26	J063 5787	1			BUMPER, Door
27	3420 1812	1			BUMPER, Door
28	5500 0146-7	1			PANEL, Wheelhouse Inner
29	5500 0144-5	1			PANEL, Wheelhouse Outer
30	5500 2662	4			BRACKET, Body
31	3420 1032	8			RIVET

MODEL CODES:

15 = Grand Wagoneer 4 Dr. 65 = Comanche 4WD-7 Ft. Box 77 = Cherokee 4WD-2 Dr.
 25 = J-10 Pickup-119" W.B. 66 = Comanche 2WD-7 Ft. Box 78 = Cherokee 4WD-4 Dr.
 26 = J-10 Pickup-131" W.B. 73 = Cherokee 2WD-2 Dr. 79 = Cherokee 4WD-4 Dr.-Com.
 27 = J-20 Pickup-131" W.B. 74 = Cherokee 2WD-4 Dr. 81 = Wrangler-93" W.B.
 63 = Comanche 4WD-6 Ft. Box 75 = Wagoneer 4WD-4 Dr. 82 = Wrangler-103" W.B.-Exp.
 64 = Comanche 2WD-6 Ft. Box

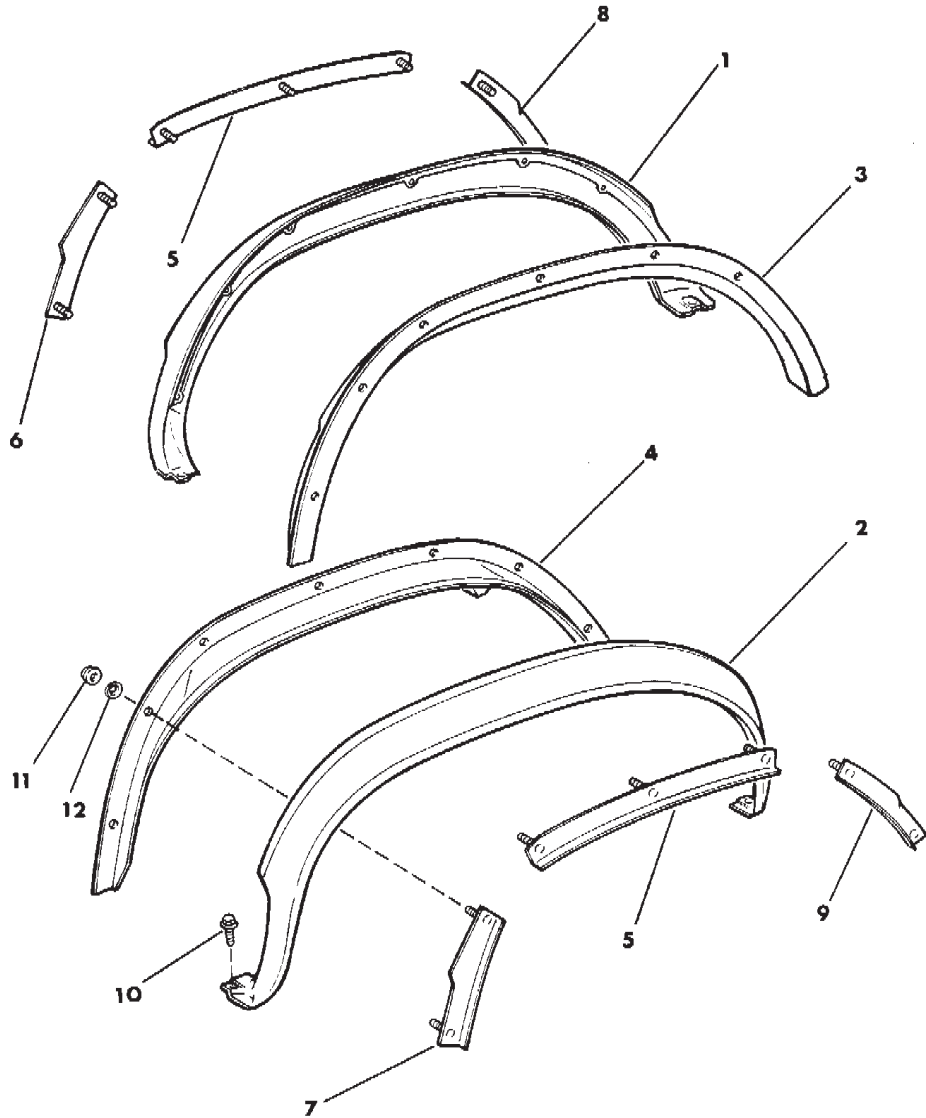
BODY STYLES:

MJ = Comanche Pickup
 SJ = Grand Wagoneer Wgn., J-10 & J-20 Pickups
 XJ = Cherokee, Wagoneer Limited
 YJ = Wrangler

AR = Use as Required - = Non Illustrated Part P.A.R. = Paint as Required

APPLIQUES, REAR QUARTER PANEL CHEROKEE, WAGONEER, COMANCHE
Figure 23A-3500

8 J 69 3500



ITEM	PART NUMBER	QTY	BODY	MODEL	DESCRIPTION
1-2					APPLIQUE, Rear Quarter, P.A.R.
	5501 3612-3	1	XJ		1987-89
	5AG24-5 JX9	1	XJ		1990, Flat Black, P.A.R.
	5AG18-9 JX8	1	XJ		1990, Gloss Black
	5501 3614-5	1	MJ		1987-89
	5AG28-9 JX9	1	MJ		1990, Flat Black, P.A.R.
	5AG26-7 JX8	1	MJ		1990, Gloss Black
3-4					PANEL, Inner Protective
	5500 4032-3	1	XJ		
	5500 6176-7	1	MJ		
5					RETAINER, Applique
	5500 3240	2	XJ		
	5500 4991	2	MJ		
6-7					RETAINER, Applique
	5500 3238-9	1	XJ		
	5500 4994	1	MJ		Right Front
	5500 4995	1	MJ		Left Front
8-9					RETAINER, Applique
	5500 3242-3	1	XJ		
	5500 4994	1	MJ		Left Rear
	5500 4995	1	MJ		Right Rear
10	1150 2843	4			SCREW
11	J420 0408	AR			NUT
12	J400 6866	AR			NUT

MODEL CODES:

15 = Grand Wagoneer 4 Dr.	65 = Comanche 4WD-7 Ft. Box	77 = Cherokee 4WD-2 Dr.
25 = J-10 Pickup-119" W.B.	66 = Comanche 2WD-7 Ft. Box	78 = Cherokee 4WD-4 Dr.
26 = J-10 Pickup-131" W.B.	73 = Cherokee 2WD-2 Dr.	79 = Cherokee 4WD-4 Dr.-Com
27 = J-20 Pickup-131" W.B.	74 = Cherokee 2WD-4 Dr.	81 = Wrangler-93" W.B.
63 = Comanche 4WD-6 Ft. Box	75 = Wagoneer 4WD-4 Dr.	82 = Wrangler-103" W.B.-Exp.
64 = Comanche 2WD-6 Ft. Box		

BODY STYLES:

MJ = Comanche Pickup
 SJ = Grand Wagoneer Wgn., J-10 & J-20 Pickups
 XJ = Cherokee, Wagoneer Limited
 YJ = Wrangler

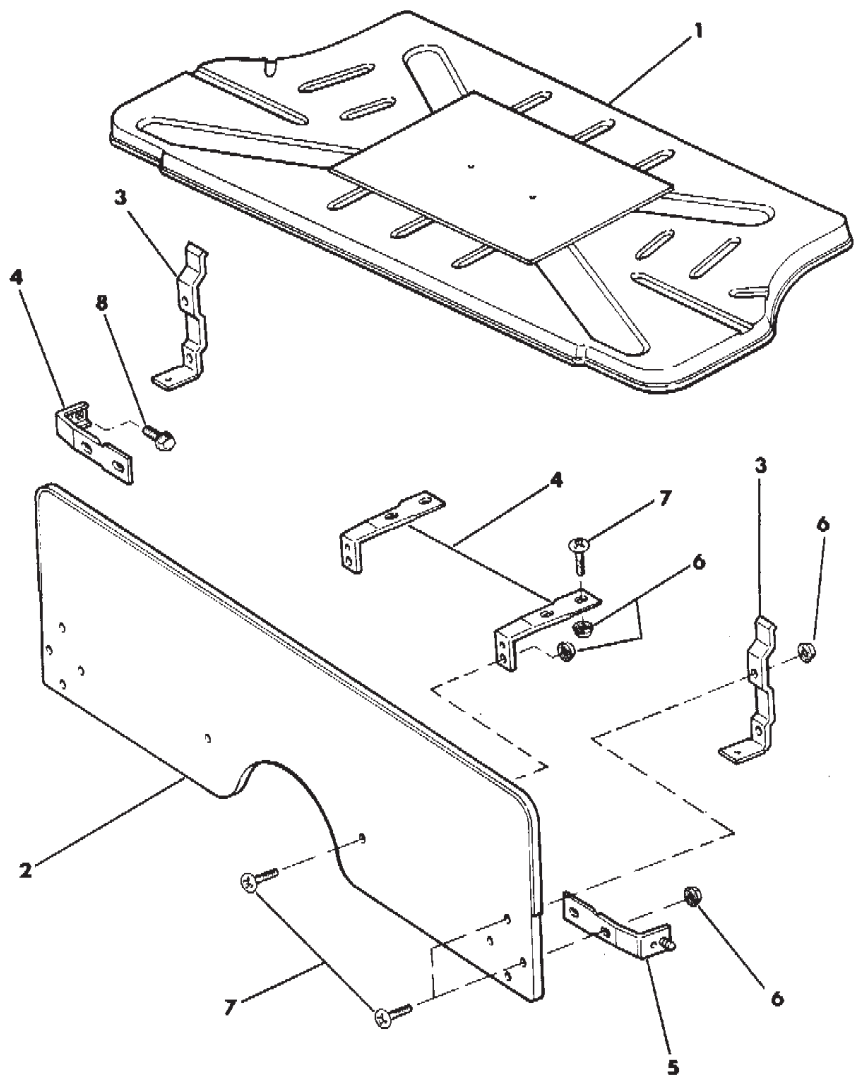
AR = Use as Required - = Non Illustrated Part P.A.R. = Paint as Required

PANELS, LOAD BARRIER AND AUXILIARY FLOOR CHEROKEE 2 DOOR, 79, FRENCH COMMERCIAL PACKAGE

Figure 23A-3600

8 J 69 3600

ITEM	PART NUMBER	QTY	BODY	MODEL	DESCRIPTION
1	5500 6958	1			PANEL, Floor
2	5500 8798	1			PANEL, Load Barrier Med. Blue 1987
	5501 5361	1			PANEL, Load Barrier Cordovan
3	5500 8799	2			BRACKET, Floor P.A.R
4					BRACKET, Sill
	5501 5367	AR			P.A.R., 1987-89
	5AD7 6JH9	AR			1990
5					BRACKET, Sill
	5500 8801	1			P.A.R., 1987-89
	5AK4 8JH9	1			1990
6	J400 3909	4			NUT
7	J400 5651	4			SCREW
8	3420 1749	1			BOLT



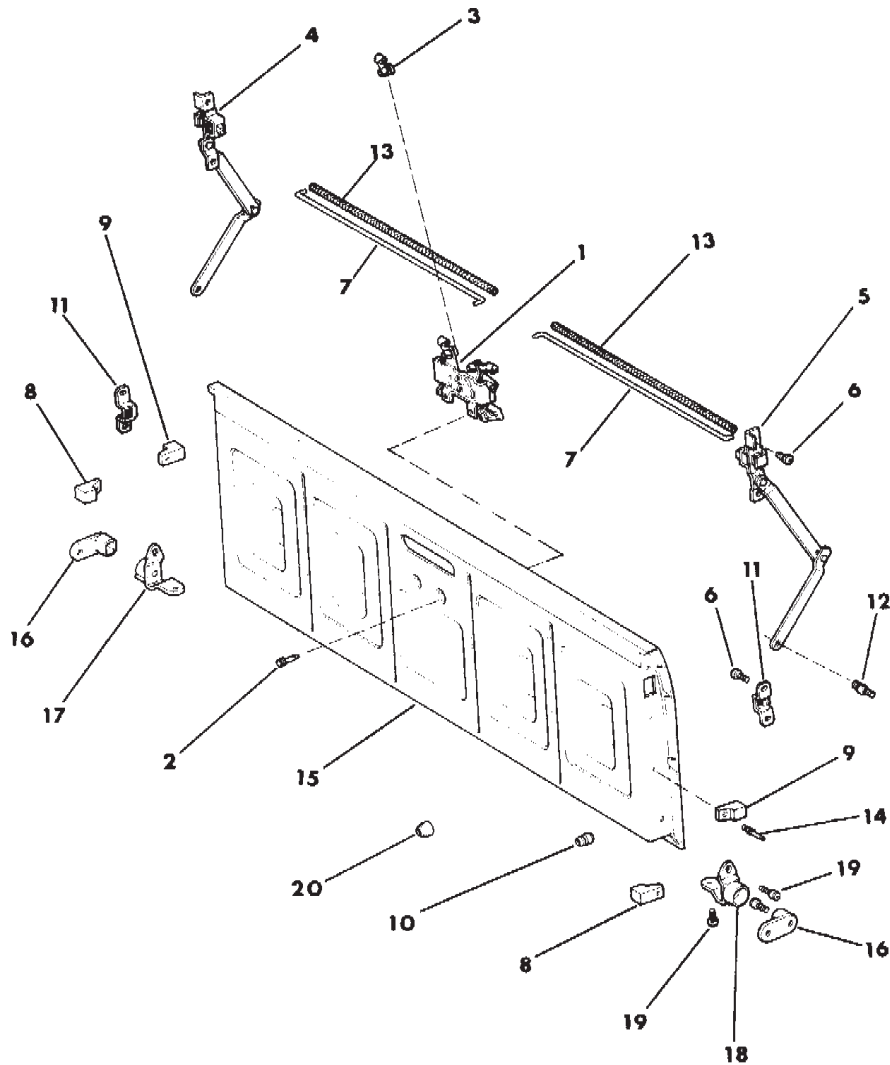
- MODEL CODES:
- | | | |
|-----------------------------|-----------------------------|------------------------------|
| 15 = Grand Wagoneer 4 Dr. | 65 = Comanche 4WD-7 Ft. Box | 77 = Cherokee 4WD-2 Dr. |
| 25 = J-10 Pickup-119" W.B. | 66 = Comanche 2WD-7 Ft. Box | 78 = Cherokee 4WD-4 Dr. |
| 26 = J-10 Pickup-131" W.B. | 73 = Cherokee 2WD-2 Dr. | 79 = Cherokee 4WD-4 Dr.-Com |
| 27 = J-20 Pickup-131" W.B. | 74 = Cherokee 2WD-4 Dr. | 81 = Wrangler-93" W.B. |
| 63 = Comanche 4WD-6 Ft. Box | 75 = Wagoneer 4WD-4 Dr. | 82 = Wrangler-103" W.B.-Exp. |
| 64 = Comanche 2WD-6 Ft. Box | | |

- BODY STYLES:
- MJ = Comanche Pickup
 - SJ = Grand Wagoneer Wgn., J-10 & J-20 Pickups
 - XJ = Cherokee, Wagoneer Limited
 - YJ = Wrangler

AR = Use as Required - = Non Illustrated Part P.A.R. = Paint as Required

TAILGATE, LATCHES AND HINGES COMANCHE
Figure 23A-3700

8 J 69 3700



ITEM	PART NUMBER	QTY	BODY	MODEL	DESCRIPTION
1					HANDLE, Tailgate
	5500 8103	1			Black
	5500 4890	1			Chrome
	3420 1886	3			SCREW
3	J400 4532	2			CLIP
4	5500 4886	1			LATCH, (INCL. LINKAGE)
5	5500 4887	1			LATCH, (INCL. LINKAGE)
6	3420 1655	6			SCREW
7	5500 4889	2			ROD, Latch Release
8	5500 4883	2			BUMPER, Body Half
9	5500 4888	2			BUMPER, Tailgate Half
10	5500 4885	4			BUMPER, Tailgate Latch
11	5500 4892	2			STRIKER, Latch
12	3420 2113	2			SCREW
13	J372 1174	2			SLEEVE, 27" ***
14					RIVET
	3420 1980	4			1987-89
	J400 6543	4			1990
15	5700 0890	1			TAILGATE, Pickup Box
16	5500 4884	2			HINGE, Tailgate
17	5500 4318	1			HINGE, Tailgate
18	5500 4319	1			HINGE, Tailgate
19	3420 1596	8			BOLT
20	J400 0282	2			BUMPER

MODEL CODES:

15 = Grand Wagoneer 4 Dr.	65 = Comanche 4WD-7 Ft. Box	77 = Cherokee 4WD-2 Dr.
25 = J-10 Pickup-119" W.B.	66 = Comanche 2WD-7 Ft. Box	78 = Cherokee 4WD-4 Dr.
26 = J-10 Pickup-131" W.B.	73 = Cherokee 2WD-2 Dr.	79 = Cherokee 4WD-4 Dr.-Com.
27 = J-20 Pickup-131" W.B.	74 = Cherokee 2WD-4 Dr.	81 = Wrangler-93" W.B.
63 = Comanche 4WD-6 Ft. Box	75 = Wagoneer 4WD-4 Dr.	82 = Wrangler-103" W.B.-Exp.
64 = Comanche 2WD-6 Ft. Box		

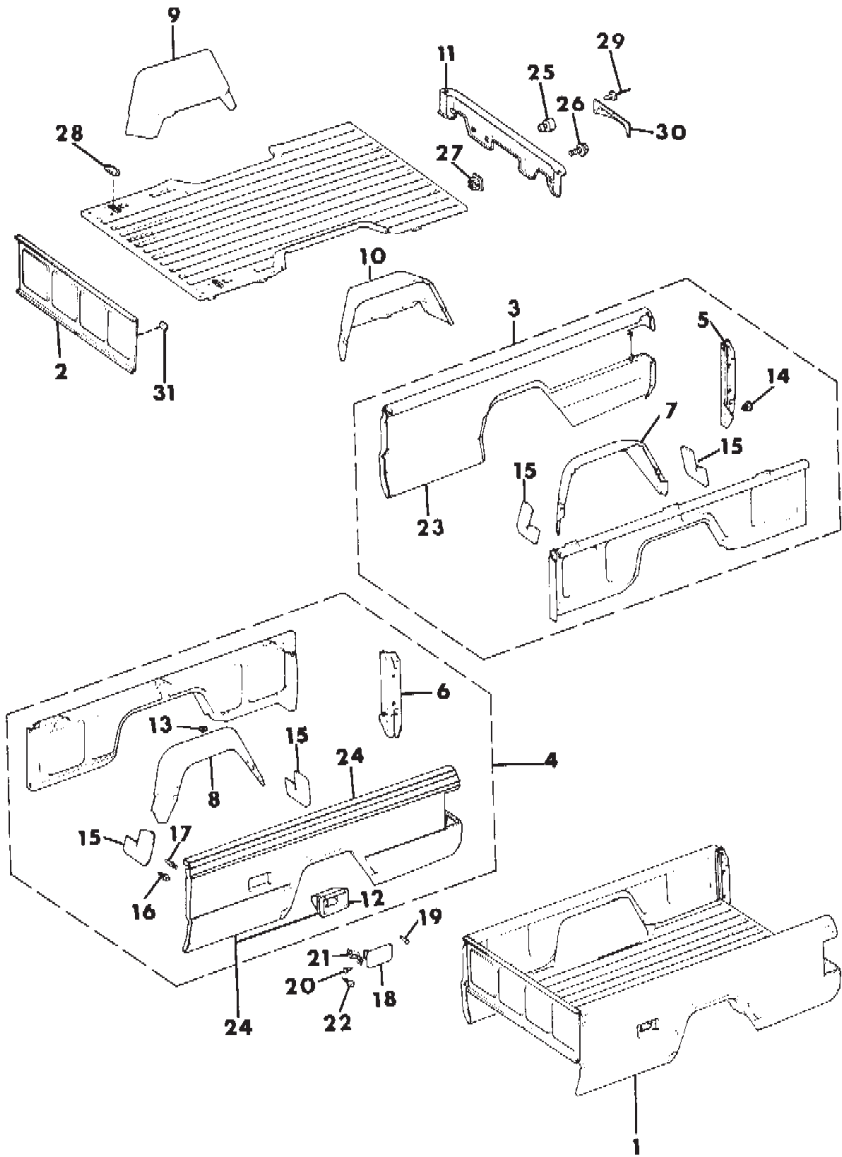
BODY STYLES:

MJ = Comanche Pickup
 SJ = Grand Wagoneer Wgn., J-10 & J-20 Pickups
 XJ = Cherokee, Wagoneer Limited
 YJ = Wrangler

AR = Use as Required - = Non Illustrated Part P.A.R. = Paint as Required

BOX, PICKUP COMANCHE
Figure 23A-3800

8J 69 3800 A



ITEM	PART NUMBER	QTY	BODY	MODEL	DESCRIPTION
1	5700 1325	1			BOX, Pickup w/7 ft. pick box ***
	5700 1330	1			BOX, Pickup w/6 ft. pickup box ***
2	5700 0880	1			PANEL, Pickup Box, Front
3	5700 0884	1			PANEL, Pickup Box Side, Right, w/7 ft. pickup box
	5700 1992	1			PANEL, Pickup Box Side, Right, w/6 ft. pickup box
4	5700 0885	1			PANEL, Pickup Box Side, Left w/7 ft. pickup box
	5700 1993	1			PANEL, Pickup Box Side, Left w/6 ft. pickup box
5	5700 0876	1			PILLAR, Pickup Box Rear, Right
6	5700 0877	1			PILLAR, Pickup Box Rear, Left
7	5500 4042	1			FENDER, Pickup Box, Right
8	5500 4043	1			FENDER, Pickup Box, Left
9	5500 4040	1			PANEL, Wheelhouse Rear, Right
10	5500 4041	1			PANEL, Wheelhouse Rear, Left
11	5700 0872	1			CROSSMEMBER, Rear w/7 ft. pickup box
	5700 1991	1			CROSSMEMBER, Rear w/6 ft. pickup box
12	5500 8888	1			HOUSING, Fuel Filler
13	5500 6578	2			PLUG, Drain
14	J400 4919	2			FASTENER
15	5500 6178	4			GUARD, Splash
16	J400 6917	18			SCREW
17	3420 1631	2			RIVET
18	5500 0819	1			DOOR, Fuel Filler
19	3420 1812	1			BUMPER, Door
20	J063 5787	1			BUMPER, Door
21	5500 4206	1			SPRING, Door
22	3420 2399	2			SCREW
23	5500 3542	1			PANEL, Side, Right w/7 ft. pickup box
	5500 9136	1			PANEL, Side Right w/6 ft. pickup box
24	5700 0875	1			PANEL, Side Left w/7 ft. pickup box
	5700 1999	1			PANEL, Side Left w/6 ft. pickup box
25	3420 1202	2			BUMPER
26	3420 2091	2			SCREW
27	3420 1263	2			NUT
28	5500 9399	2			PLUG
29	3420 1208	5			RIVET
30	5500 9144	1			COVER
31	3420 1409	2			PLUG, 1987

MODEL CODES:

15 = Grand Wagoneer 4 Dr.	65 = Comanche 4WD-7 Ft. Box	77 = Cherokee 4WD-2 Dr.
25 = J-10 Pickup-119" W.B.	66 = Comanche 2WD-7 Ft. Box	78 = Cherokee 4WD-4 Dr.
26 = J-10 Pickup-131" W.B.	73 = Cherokee 2WD-2 Dr.	79 = Cherokee 4WD-4 Dr.-Com.
27 = J-20 Pickup-131" W.B.	74 = Cherokee 2WD-4 Dr.	81 = Wrangler-93" W.B.
63 = Comanche 4WD-6 Ft. Box	75 = Wagoneer 4WD-4 Dr.	82 = Wrangler-103" W.B.-Exp.
64 = Comanche 2WD-6 Ft. Box		

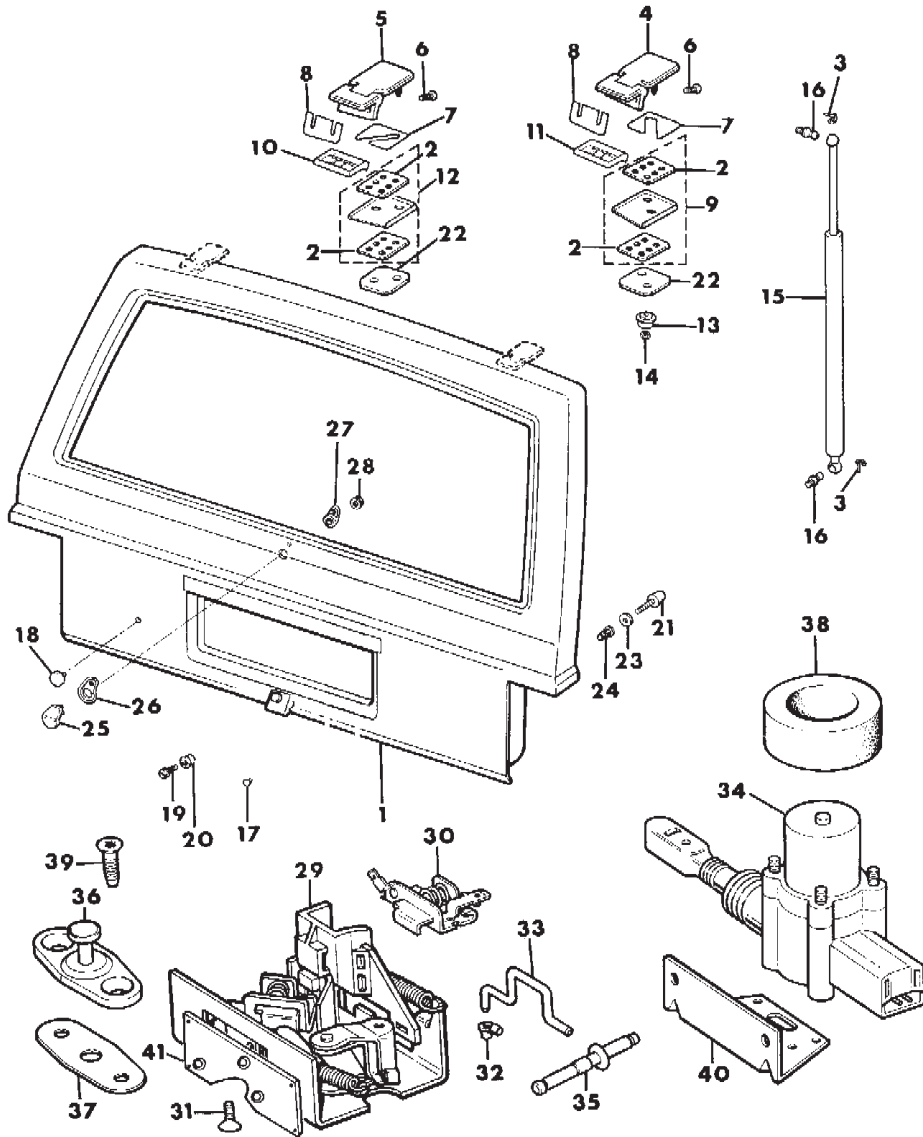
BODY STYLES:

MJ = Comanche Pickup
 SJ = Grand Wagoneer Wgn., J-10 & J-20 Pickups
 XJ = Cherokee, Wagoneer Limited
 YJ = Wrangler

AR = Use as Required - = Non Illustrated Part P.A.R. = Paint as Required

LIFT DOOR, LATCH AND HINGES CHEROKEE, WAGONEER
Figure 23A-3900

8 J 69 3900A



ITEM	PART NUMBER	QTY	BODY	MODEL	DESCRIPTION
1	5500 9255	1			DOOR, Lift
	8350 7029	1			PACKAGE, Anti Rattle
2	5500 9756	4			SEAL, Hinge
3	J367 9830	4			CLIP
4-5	5500 1984-5	1			HINGE, Lift Door
6	3420 1925	4			SCREW
7	5500 0431	2			SHIM
8	5500 0432	2			SHIM
9	5501 0056	1			GASKET, Right ***
10	5500 1993	1			GASKET, Hinge, Left
11	5500 1992	1			GASKET, Hinge, Right
12	5501 0057	1			GASKET, Left
13	5500 1994	4			WASHER, Hinge
14	3420 2144	4			NUT
15	5500 0630	2			SUPPORT, Lift Door
16	5500 1430	4			STUD, Ball
17	J400 4227	2			BUMPER, License
18	J323 4895	2			BUMPER, License
19	3420 1287	2			SCREW
20	3420 1672	2			NUT
21	5500 5608	2			STOP, Lift Door
22	5500 6492	2			SHIM
23	5500 6770	2			SHIM
24	3420 1977	2			NUT
25	5500 6292	1			PLUG
26	5500 6293	1			GASKET
27	5500 6294	1			SPACER
28	1150 2507	1			NUT
29					LATCH, Lift Door
	5500 6865	1			w/ Cargo Lamp Switch
	5500 6864	1			w/o Cargo Lamp Switch
30	5600 0479	1			SWITCH, Cargo Lamp
31	3420 1996	3			SCREW
32	J400 4532	1			CLIP, (INCLUDING BUSHING)
33	5500 0730	1			ROD, Lock Actuator
34	J813 4627	1			ACTUATOR, Power Lock
35	3420 1353	2			RIVET

MODEL CODES:

15 = Grand Wagoneer 4 Dr.	65 = Comanche 4WD-7 Ft. Box	77 = Cherokee 4WD-2 Dr.
25 = J-10 Pickup-119" W.B.	66 = Comanche 2WD-7 Ft. Box	78 = Cherokee 4WD-4 Dr.
26 = J-10 Pickup-131" W.B.	73 = Cherokee 2WD-2 Dr.	79 = Cherokee 4WD-4 Dr.-Com
27 = J-20 Pickup-131" W.B.	74 = Cherokee 2WD-4 Dr.	81 = Wrangler-93" W.B.
63 = Comanche 4WD-6 Ft. Box	75 = Wagoneer 4WD-4 Dr.	82 = Wrangler-103" W.B.-Exp.
64 = Comanche 2WD-6 Ft. Box		

BODY STYLES:

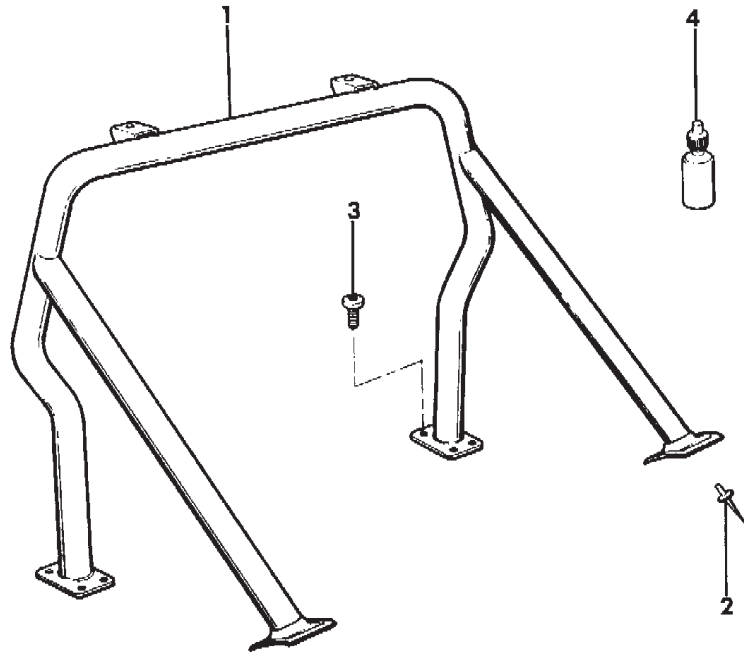
MJ = Comanche Pickup
SJ = Grand Wagoneer Wgn., J-10 & J-20 Pickups
XJ = Cherokee, Wagoneer Limited
YJ = Wrangler

AR = Use as Required - = Non Illustrated Part P.A.R. = Paint as Required

SPORT BAR COMANCHE
Figure 23A-4000

8J69 4000

ITEM	PART NUMBER	QTY	BODY	MODEL	DESCRIPTION
1	8220 0359	1			SPORT BAR, w/7 ft. pickup box ***
	8220 0522	1			SPORT BAR, w/6 ft. pickup box ***
2	3420 1208	4			RIVET
3	3420 2158	26			BOLT
4	J812 9800	1			SEALER, Bolt



MODEL CODES:

15 = Grand Wagoneer 4 Dr.	65 = Comanche 4WD-7 Ft. Box	77 = Cherokee 4WD-2 Dr.
25 = J-10 Pickup-119" W.B.	66 = Comanche 2WD-7 Ft. Box	78 = Cherokee 4WD-4 Dr.
26 = J-10 Pickup-131" W.B.	73 = Cherokee 2WD-2 Dr.	79 = Cherokee 4WD-4 Dr.-Com
27 = J-20 Pickup-131" W.B.	74 = Cherokee 2WD-4 Dr.	81 = Wrangler-93" W.B.
63 = Comanche 4WD-6 Ft. Box	75 = Wagoneer 4WD-4 Dr.	82 = Wrangler-103" W.B.-Exp.
64 = Comanche 2WD-6 Ft. Box		

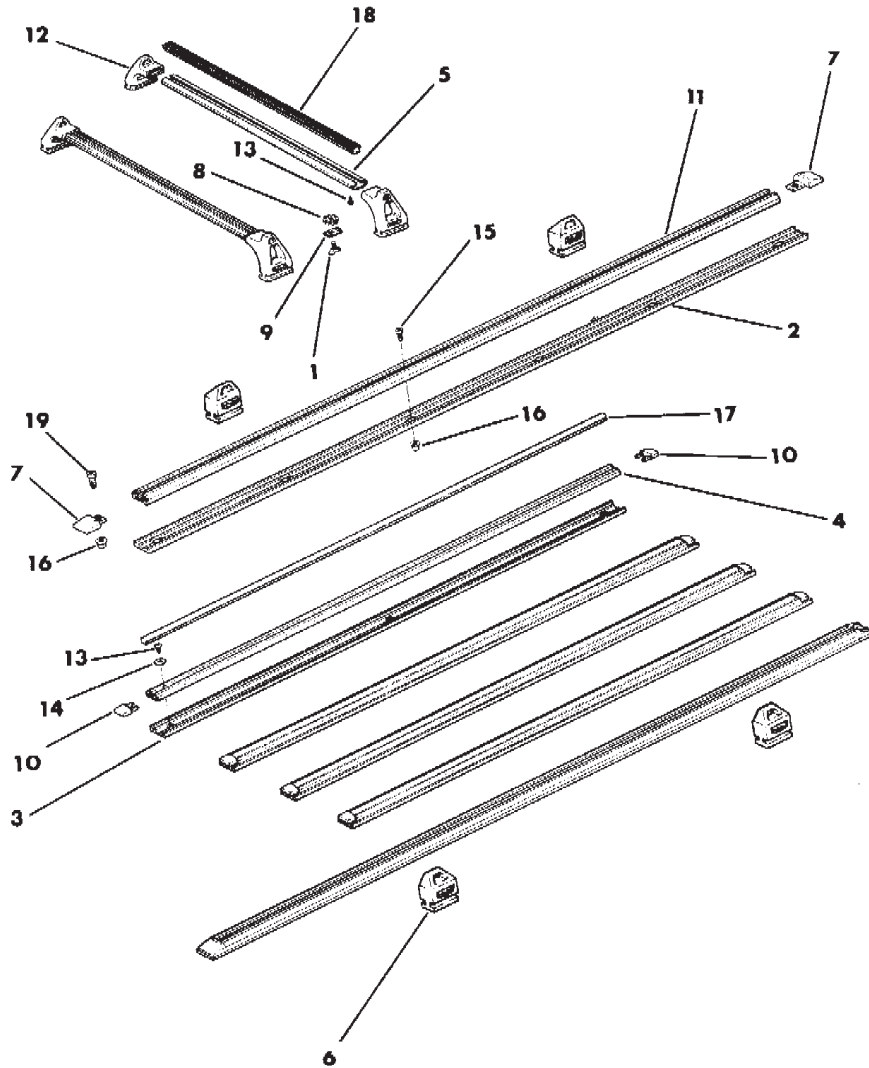
BODY STYLES:

MJ = Comanche Pickup
 SJ = Grand Wagoneer Wgn., J-10 & J-20 Pickups
 XJ = Cherokee, Wagoneer Limited
 YJ = Wrangler

AR = Use as Required - = Non Illustrated Part P.A.R. = Paint as Required

RACK, ROOF LUGGAGE (TYPE 1) CHEROKEE, WAGONEER
Figure 23A-4100

8J69 4100



ITEM	PART NUMBER	QTY	BODY	MODEL	DESCRIPTION
1	J374 5222	4			KEY, Adjustment
2	5500 0222	2			PAD, Slide Rail
3	5500 0224	4			PAD, Skid Strip
4	5500 0216	4			STRIP, Skid
5	5500 0228	2			RAIL, Cross
6	5500 6284	4			SUPPORT, Tie Down
7	3500 1249	4			END, Slide, Closed ***
8	3500 1250	4			WHEEL, Adjustment
9	3500 1251	4			LOCK, Adjustment Wheel
10	5500 2864	8			END, Skid Strip
11	5500 2866	2			RAIL, Slide
12	3500 1253	4			SUPPORT, Cross Rail
13	J374 5243	16			SCREW
14	J400 7015	12			WASHER
15	3420 1609	10			SCREW
16	3420 1672	12			NUT, Plastic Coated, (J4003120 Rubber Coated Nut)
17	5500 2865	4			INSERT, Skid Strip
18	5500 0229	2			INSERT, Cross Rail
19	3420 1627	2			SCREW

MODEL CODES:

15 = Grand Wagoneer 4 Dr.	65 = Comanche 4WD-7 Ft. Box	77 = Cherokee 4WD-2 Dr.
25 = J-10 Pickup-119" W.B.	66 = Comanche 2WD-7 Ft. Box	78 = Cherokee 4WD-4 Dr.
26 = J-10 Pickup-131" W.B.	73 = Cherokee 2WD-2 Dr.	79 = Cherokee 4WD-4 Dr.-Com
27 = J-20 Pickup-131" W.B.	74 = Cherokee 2WD-4 Dr.	81 = Wrangler-93" W.B.
63 = Comanche 4WD-6 Ft. Box	75 = Wagoneer 4WD-4 Dr.	82 = Wrangler-103" W.B.-Exp.
64 = Comanche 2WD-6 Ft. Box		

BODY STYLES:

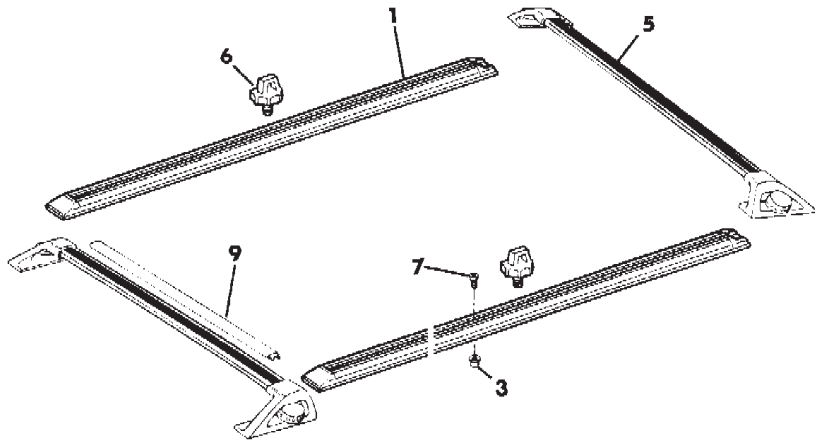
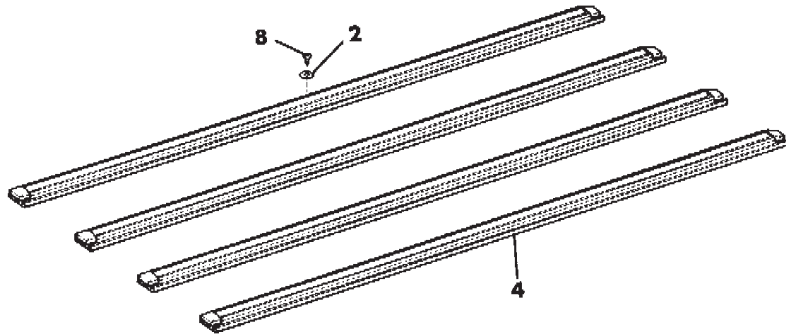
MJ = Comanche Pickup
SJ = Grand Wagoneer Wgn., J-10 & J-20 Pickups
XJ = Cherokee, Wagoneer Limited
YJ = Wrangler

AR = Use as Required - = Non Illustrated Part P.A.R. = Paint as Required

RACK, ROOF LUGGAGE, TYPE 2 CHEROKEE, WAGONEER
Figure 23A-4200

8J69 4200

ITEM	PART NUMBER	QTY	BODY	MODEL	DESCRIPTION
1	5501 8890	2			RAIL, Slide Black
	5502 5571	2			Bright
2	J400 7015	12			WASHER
3	3420 1293	12			NUT 1987-89
	6502 340	12			1990
4	5502 0240	4			STRIP, Skid Black, 1988-89
	5502 5573	4			Bright, 1989
	5502 5797	4			Stick on type, 1990
5	5501 8702	2			RAIL, Cross Black
	5502 5572	2			Bright
	4728 425	1			KNOB, Luggage Rack
6	5501 8710	4			SUPPORT, Tie Down
7	3420 1609	12			SCREW 1987-89
	6502 376	12			1990
	J400 5821	12			SCREW
9	5502 2140	2			INSERT, Cross Bar Sunroof



MODEL CODES:

15 = Grand Wagoneer 4 Dr.	65 = Comanche 4WD-7 Ft. Box	77 = Cherokee 4WD-2 Dr.
25 = J-10 Pickup-119" W.B.	66 = Comanche 2WD-7 Ft. Box	78 = Cherokee 4WD-4 Dr.
26 = J-10 Pickup-131" W.B.	73 = Cherokee 2WD-2 Dr.	79 = Cherokee 4WD-4 Dr.-Com
27 = J-20 Pickup-131" W.B.	74 = Cherokee 2WD-4 Dr.	81 = Wrangler-93" W.B.
63 = Comanche 4WD-6 Ft. Box	75 = Wagoneer 4WD-4 Dr.	82 = Wrangler-103" W.B.-Exp.
64 = Comanche 2WD-6 Ft. Box		

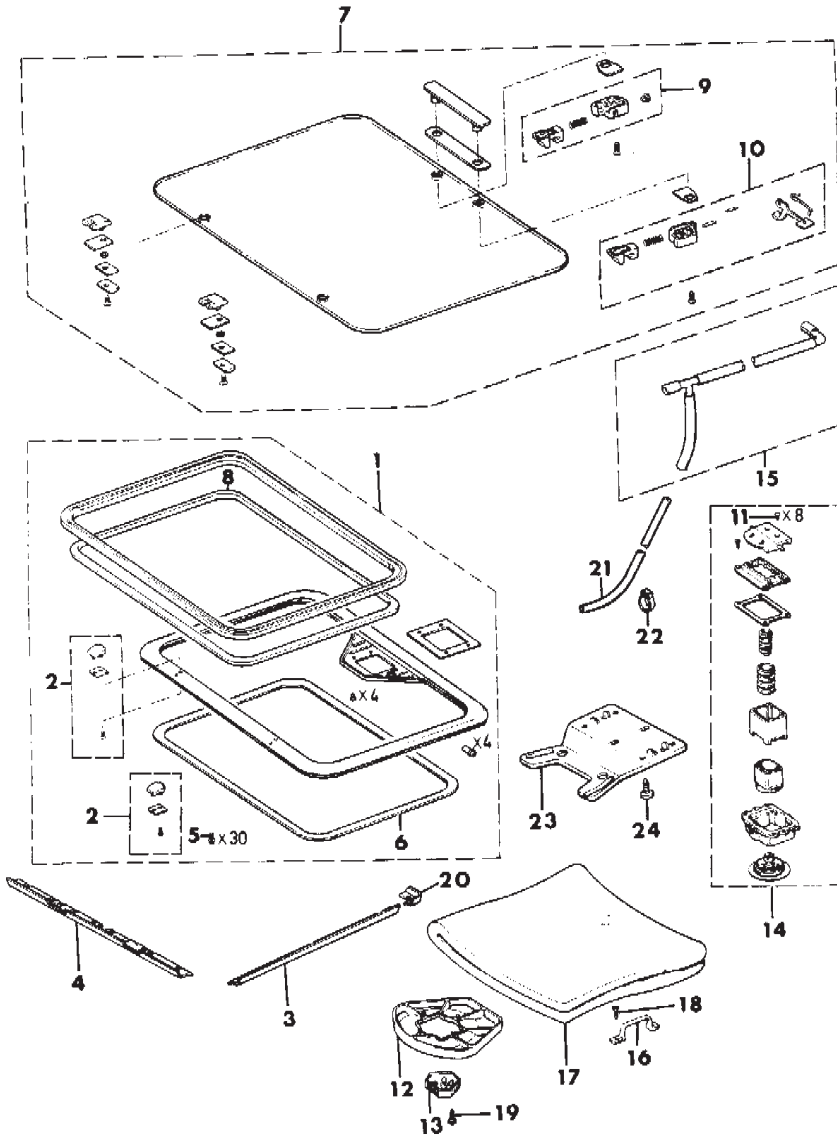
BODY STYLES:

MJ = Comanche Pickup
SJ = Grand Wagoneer Wgn., J-10 & J-20 Pickups
XJ = Cherokee, Wagoneer Limited
YJ = Wrangler

AR = Use as Required - = Non Illustrated Part P.A.R. = Paint as Required

SUNROOF, POP-UP CHEROKEE, WAGONEER
Figure 23A-4300

8 J69 4300



ITEM	PART NUMBER	QTY	BODY	MODEL	DESCRIPTION
1	8350 2073	1			FRAME KIT, Sunroof ***
2	8350 1043	2			HINGE KIT
3	8350 2075	2			RETAINER
4	8350 2076	2			RETAINER
5	8350 1046	30			SCREW
6	8350 1049	1			SEAL, Sunroof Flange
7	8350 2074	1			GLASS KIT, Sunroof ***
8	8350 2078	1			SEAL, Sunroof Inner
9	8350 1054	1			LATCH KIT
10	8350 1055	1			LATCH KIT
11	S016 2457	8			SCREW
12	8350 1061	1			PLATE, Handle
13	8350 1062	1			HANDLE
14	8350 1063	1			ADJUSTER KIT, Sunroof ***
15	5500 7626	2			TUBE KIT, Drain
16	5501 3668	2			LOOP, Footman
17	5500 9582	1			COVER, Sunroof Glass
18	J400 2809	4			SCREW
19	3420 2491	1			SCREW
20	8350 2077	4			RETAINER
21	5500 7976	2			TUBE, Drain
22	J322 7850	2			CLAMP
23	5500 7632	1			REINFORCEMENT
24	3420 1893	4			SCREW

MODEL CODES:

15 = Grand Wagoneer 4 Dr.	65 = Comanche 4WD-7 Ft. Box	77 = Cherokee 4WD-2 Dr.
25 = J-10 Pickup-119" W.B.	66 = Comanche 2WD-7 Ft. Box	78 = Cherokee 4WD-4 Dr.
26 = J-10 Pickup-131" W.B.	73 = Cherokee 2WD-2 Dr.	79 = Cherokee 4WD-4 Dr.-Com
27 = J-20 Pickup-131" W.B.	74 = Cherokee 2WD-4 Dr.	81 = Wrangler-93" W.B.
63 = Comanche 4WD-6 Ft. Box	75 = Wagoneer 4WD-4 Dr.	82 = Wrangler-103" W.B.-Exp.
64 = Comanche 2WD-6 Ft. Box		

BODY STYLES:

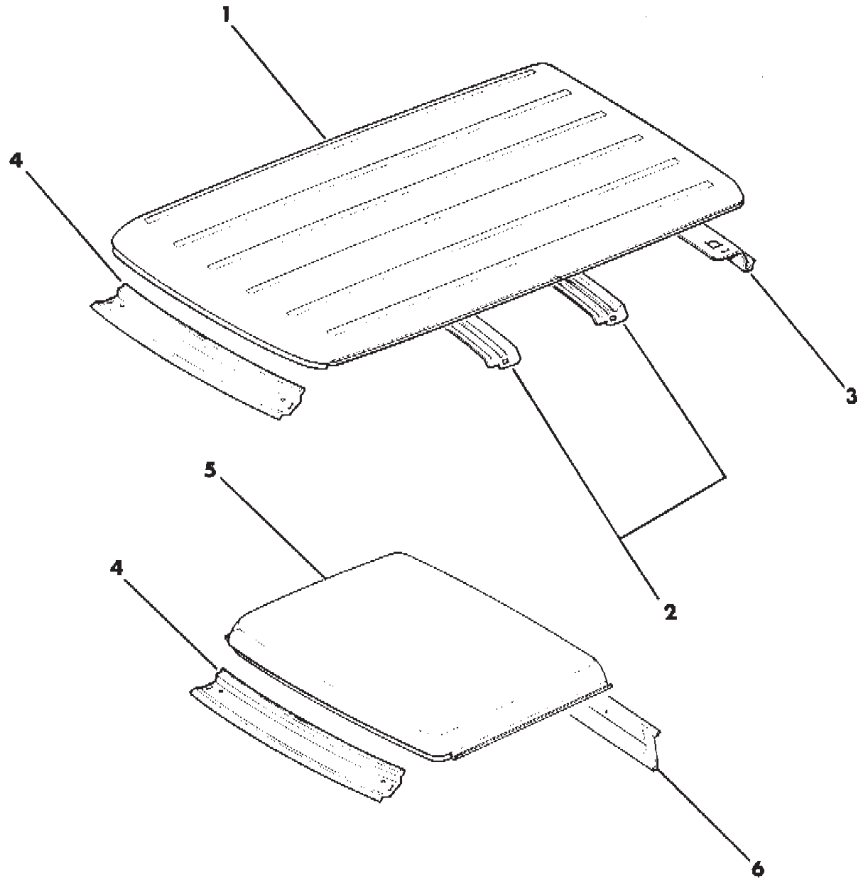
MJ = Comanche Pickup
SJ = Grand Wagoneer Wgn., J-10 & J-20 Pickups
XJ = Cherokee, Wagoneer Limited
YJ = Wrangler

AR = Use as Required - = Non Illustrated Part P.A.R. = Paint as Required

PANELS, ROOF CHEROKEE, WAGONEER, COMANCHE
Figure 23A-4400

8 J 69 4400

ITEM	PART NUMBER	QTY	BODY	MODEL	DESCRIPTION
1					PANEL, Roof
	5500 0142	1	XJ		w/o Sunroof
	5501 0629	1	XJ		w/Sunroof
	5500 2389	1	XJ		1987-89
					1990
2	5500 0138	2	XJ		SUPPORT, Roof
3	5700 2012	1	XJ		HEADER, Door ***
4					HEADER, Front ***
	5500 0108	1			1987-89
	5502 7632	1			1990
5	5500 3424	1	MJ		PANEL, Roof
6	5500 3432	1	MJ		PANEL, Cab Header



MODEL CODES:

15 = Grand Wagoneer 4 Dr.	65 = Comanche 4WD-7 Ft. Box	77 = Cherokee 4WD-2 Dr.
25 = J-10 Pickup-119" W.B.	66 = Comanche 2WD-7 Ft. Box	78 = Cherokee 4WD-4 Dr.
26 = J-10 Pickup-131" W.B.	73 = Cherokee 2WD-2 Dr.	79 = Cherokee 4WD-4 Dr.-Com
27 = J-20 Pickup-131" W.B.	74 = Cherokee 2WD-4 Dr.	81 = Wrangler-93" W.B.
63 = Comanche 4WD-6 Ft. Box	75 = Wagoneer 4WD-4 Dr.	82 = Wrangler-103" W.B.-Exp.
64 = Comanche 2WD-6 Ft. Box		

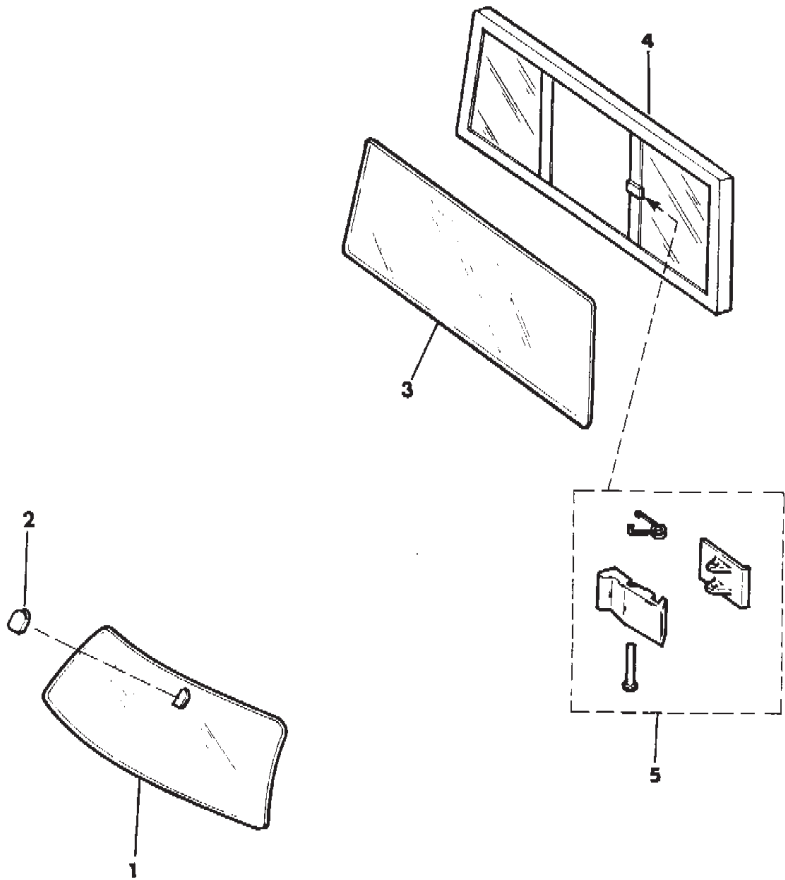
BODY STYLES:

MJ = Comanche Pickup
SJ = Grand Wagoneer Wgn., J-10 & J-20 Pickups
XJ = Cherokee, Wagoneer Limited
YJ = Wrangler

AR = Use as Required - = Non Illustrated Part P.A.R. = Paint as Required

GLASS COMANCHE
Figure 23A-4500

8J69 4500



ITEM	PART NUMBER	QTY	BODY	MODEL	DESCRIPTION
1	5500 0552	1			GLASS, Windshield Clear
	5500 0553	1			Tinted
2	J365 7374	1			SUPPORT, Inside Rear View Mirror (See note a)
3	5500 4338	1			GLASS, Fixed Tinted
4	5500 4224	1			GLASS, Sliding Tinted
5	8350 3323	1			LOCK KIT

(a) The Mirror Support is Replacing Mirror Mounting Kit. When Installing a Mirror Support, use Locktite #312 and the Accelerator. (A)
 For 1987, two types of instrument clusters were used. On type one, Clusters, the odometer numbers are rounded, the

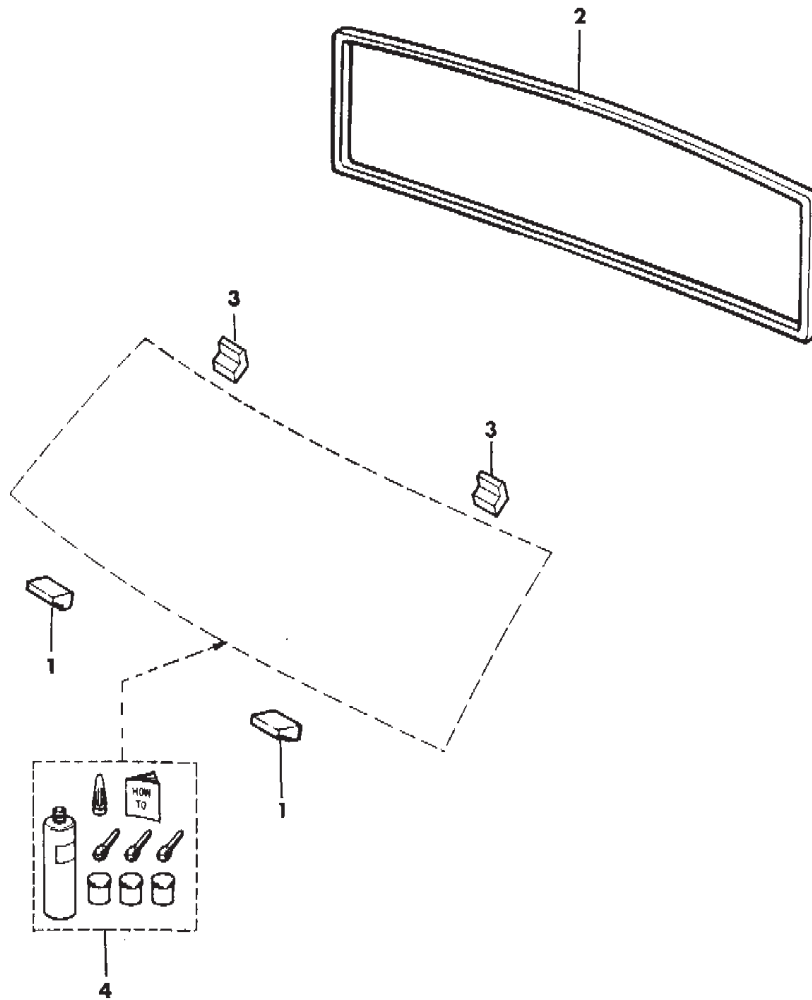
- MODEL CODES:
- | | | |
|-----------------------------|-----------------------------|------------------------------|
| 15 = Grand Wagoneer 4 Dr. | 65 = Comanche 4WD-7 Ft. Box | 77 = Cherokee 4WD-2 Dr. |
| 25 = J-10 Pickup-119" W.B. | 66 = Comanche 2WD-7 Ft. Box | 78 = Cherokee 4WD-4 Dr. |
| 26 = J-10 Pickup-131" W.B. | 73 = Cherokee 2WD-2 Dr. | 79 = Cherokee 4WD-4 Dr.-Com |
| 27 = J-20 Pickup-131" W.B. | 74 = Cherokee 2WD-4 Dr. | 81 = Wrangler-93" W.B. |
| 63 = Comanche 4WD-6 Ft. Box | 75 = Wagoneer 4WD-4 Dr. | 82 = Wrangler-103" W.B.-Exp. |
| 64 = Comanche 2WD-6 Ft. Box | | |

- BODY STYLES:
- MJ = Comanche Pickup
 - SJ = Grand Wagoneer Wgn., J-10 & J-20 Pickups
 - XJ = Cherokee, Wagoneer Limited
 - YJ = Wrangler

AR = Use as Required - = Non Illustrated Part P.A.R. = Paint as Required

SEAL, WINDOW COMANCHE
Figure 23A-4600

8 J 69 4600



ITEM	PART NUMBER	QTY	BODY	MODEL	DESCRIPTION
1	5500 2604	2			SPACER, Windshield Bottom, Soluble
2	5500 7123	1			SEAL, Rear Window
3	5505 2617	2			SPACER, Windshield Top, Soluble
4	8310 0051	AR			MOUNTING KIT, Windshield

MODEL CODES:

15 = Grand Wagoneer 4 Dr.	65 = Comanche 4WD-7 Ft. Box	77 = Cherokee 4WD-2 Dr.
25 = J-10 Pickup-119" W.B.	66 = Comanche 2WD-7 Ft. Box	78 = Cherokee 4WD-4 Dr.
26 = J-10 Pickup-131" W.B.	73 = Cherokee 2WD-2 Dr.	79 = Cherokee 4WD-4 Dr.-Com
27 = J-20 Pickup-131" W.B.	74 = Cherokee 2WD-4 Dr.	81 = Wrangler-93" W.B.
63 = Comanche 4WD-6 Ft. Box	75 = Wagoneer 4WD-4 Dr.	82 = Wrangler-103" W.B.-Exp.
64 = Comanche 2WD-6 Ft. Box		

BODY STYLES:

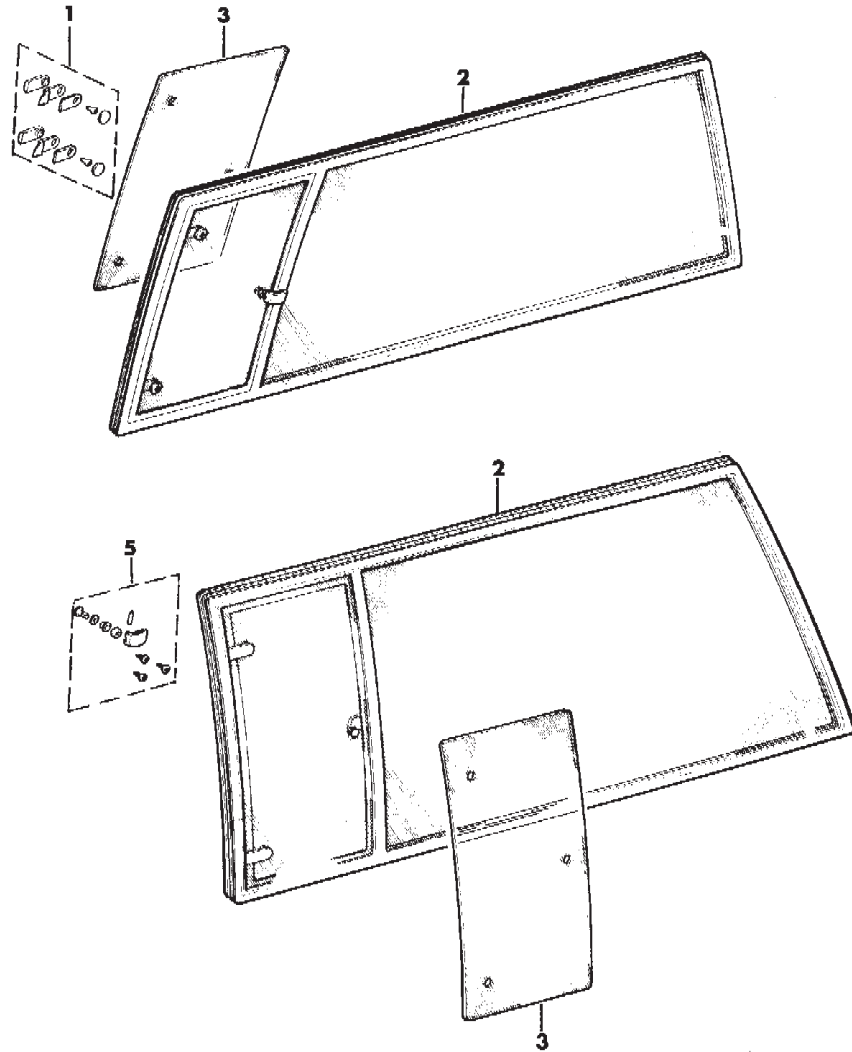
MJ = Comanche Pickup
 SJ = Grand Wagoneer Wgn., J-10 & J-20 Pickups
 XJ = Cherokee, Wagoneer Limited
 YJ = Wrangler

AR = Use as Required - = Non Illustrated Part P.A.R. = Paint as Required

GLASS, REAR QUARTER FIXED CHEROKEE 2 DOOR
Figure 23A-4700

8 J 69 4700 A

ITEM	PART NUMBER	QTY	BODY	MODEL	DESCRIPTION
1	8350 2274-5	1			HINGE KIT ***
2	5500 7980-1	1			GLASS ASSEMBLY, Quarter Tinted Easy Eye
	5500 7982-3	1			Bronze
	5501 9748-9	1			Gray
3	5500 7994-5	1			GLASS, Quarter Vent Tinted Easy Eye
	5500 7996-7	1			Bronze
	5501 9744-5	1			Gray
4	8350 2272	2			HANDLE KIT, Quarter Window Vent ***



MODEL CODES:

15 = Grand Wagoneer 4 Dr.	65 = Comanche 4WD-7 Ft. Box	77 = Cherokee 4WD-2 Dr.
25 = J-10 Pickup-119" W.B.	66 = Comanche 2WD-7 Ft. Box	78 = Cherokee 4WD-4 Dr.
26 = J-10 Pickup-131" W.B.	73 = Cherokee 2WD-2 Dr.	79 = Cherokee 4WD-4 Dr.-Com
27 = J-20 Pickup-131" W.B.	74 = Cherokee 2WD-4 Dr.	81 = Wrangler-93" W.B.
63 = Comanche 4WD-6 Ft. Box	75 = Wagoneer 4WD-4 Dr.	82 = Wrangler-103" W.B.-Exp.
64 = Comanche 2WD-6 Ft. Box		

BODY STYLES:

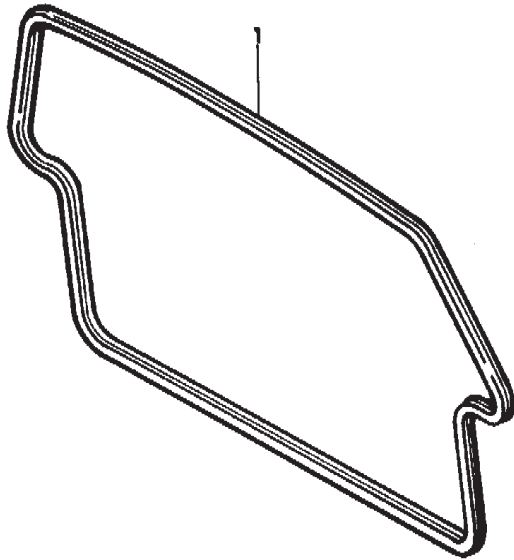
MJ = Comanche Pickup
SJ = Grand Wagoneer Wgn., J-10 & J-20 Pickups
XJ = Cherokee, Wagoneer Limited
YJ = Wrangler

AR = Use as Required - = Non Illustrated Part P.A.R. = Paint as Required

SEAL LIFT DOOR CHEROKEE, WAGONEER
Figure 23A-4800

8 J 69 4800

ITEM	PART NUMBER	QTY	BODY	MODEL	DESCRIPTION
1	5501 5783	1			SEAL, Lift Door



MODEL CODES:

15 = Grand Wagoneer 4 Dr.	65 = Comanche 4WD-7 Ft. Box	77 = Cherokee 4WD-2 Dr.
25 = J-10 Pickup-119" W.B.	66 = Comanche 2WD-7 Ft. Box	78 = Cherokee 4WD-4 Dr.
26 = J-10 Pickup-131" W.B.	73 = Cherokee 2WD-2 Dr.	79 = Cherokee 4WD-4 Dr.-Com
27 = J-20 Pickup-131" W.B.	74 = Cherokee 2WD-4 Dr.	81 = Wrangler-93" W.B.
63 = Comanche 4WD-6 Ft. Box	75 = Wagoneer 4WD-4 Dr.	82 = Wrangler-103" W.B.-Exp.
64 = Comanche 2WD-6 Ft. Box		

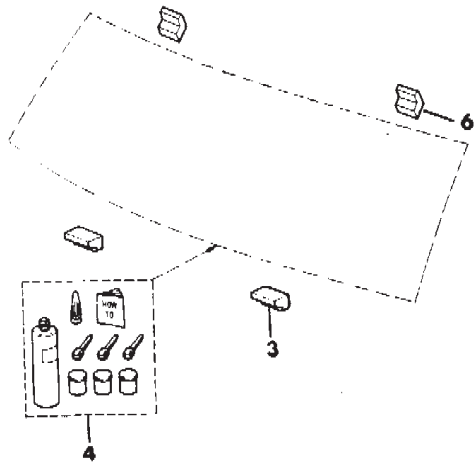
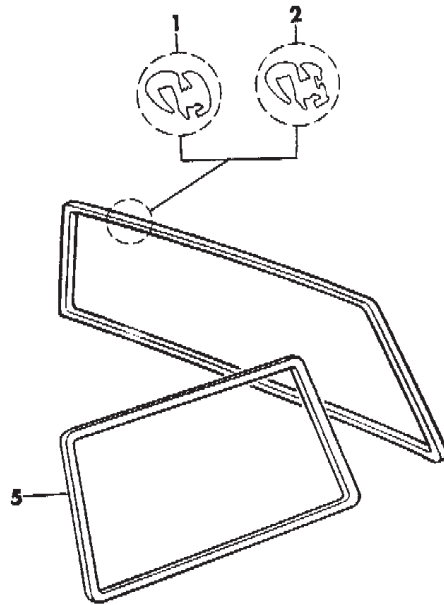
BODY STYLES:

MJ = Comanche Pickup
 SJ = Grand Wagoneer Wgn., J-10 & J-20 Pickups
 XJ = Cherokee, Wagoneer Limited
 YJ = Wrangler

AR = Use as Required - = Non Illustrated Part P.A.R. = Paint as Required

SEALS WINDOW CHEROKEE 2 DOOR
Figure 23A-4900

8 J 69 4900



ITEM	PART NUMBER	QTY	BODY	MODEL	DESCRIPTION
1	5500 7134	1			SEAL, Lift Door Glass
2	5500 7135	1			SEAL, Lift Door Glass, w/Mldg.
3	5500 2604	2			SPACER, Windshield Bottom
4	8310 0051	AR			MOUNTING KIT, Windshield
5	5500 7130-1	1			SEAL, Quarter Window
6	5505 2617	2			SPACER, Windshield Top

MODEL CODES:

- | | | |
|-----------------------------|-----------------------------|------------------------------|
| 15 = Grand Wagoneer 4 Dr. | 65 = Comanche 4WD-7 Ft. Box | 77 = Cherokee 4WD-2 Dr. |
| 25 = J-10 Pickup-119" W.B. | 66 = Comanche 2WD-7 Ft. Box | 78 = Cherokee 4WD-4 Dr. |
| 26 = J-10 Pickup-131" W.B. | 73 = Cherokee 2WD-2 Dr. | 79 = Cherokee 4WD-4 Dr.-Com |
| 27 = J-20 Pickup-131" W.B. | 74 = Cherokee 2WD-4 Dr. | 81 = Wrangler-93" W.B. |
| 63 = Comanche 4WD-6 Ft. Box | 75 = Wagoneer 4WD-4 Dr. | 82 = Wrangler-103" W.B.-Exp. |
| 64 = Comanche 2WD-6 Ft. Box | | |

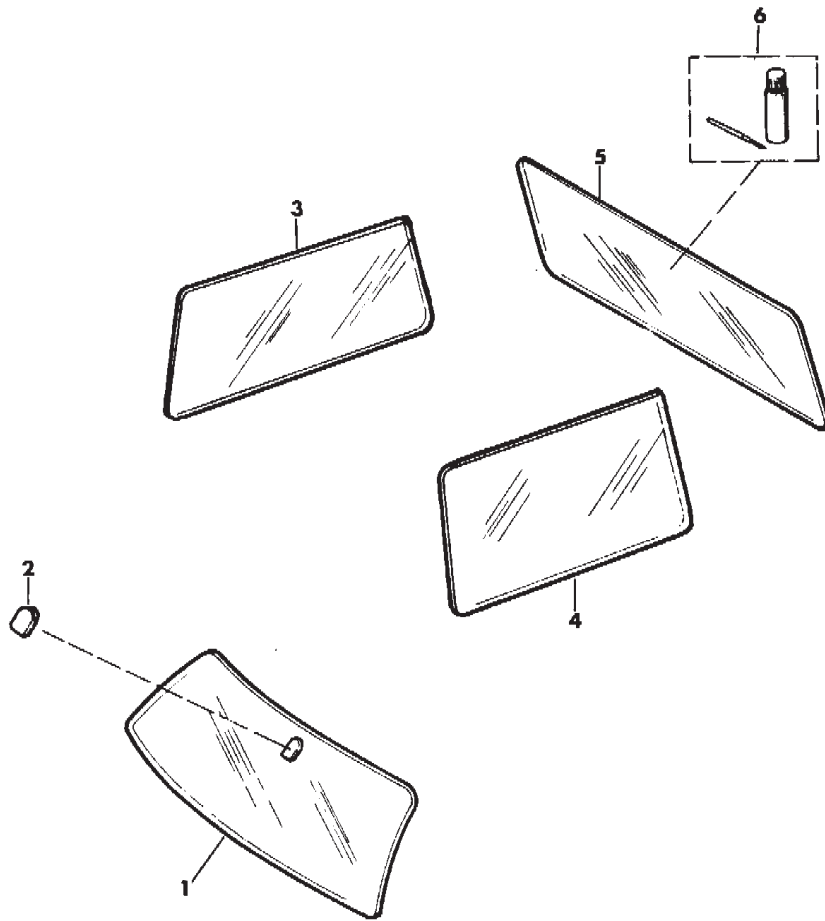
BODY STYLES:

- MJ = Comanche Pickup
 SJ = Grand Wagoneer Wgn., J-10 & J-20 Pickups
 XJ = Cherokee, Wagoneer Limited
 YJ = Wrangler

AR = Use as Required - = Non Illustrated Part P.A.R. = Paint as Required

GLASS, STATIONARY WINDSHIELD, QUARTER AND LIFT DOOR CHEROKEE 2 DOOR
Figure 23A-5000

8 J 69 5000



ITEM	PART NUMBER	QTY	BODY	MODEL	DESCRIPTION
1					GLASS, Windshield
	5500 0552	1			Clear
	5500 0553	1			Tinted
2	J365 7374	1			SUPPORT, Inside Rear View Mirror (a)
3-4					GLASS, Quarter
	5500 0184-5	1			Clear, 1987
	5500 0186-7	1			Tinted
5					GLASS, Liftgate
	5500 9768	1			Clear, 1987
	5500 9769	1			Green
	5500 9770	1			Green, w/rear window defogger
	5501 8738	1			Grey, w/rear window defogger
6	J812 3332	1			REPAIR KIT

(a) The Mirror Support is Replacing Mirror Mounting Kit. When Installing a Mirror Support, Use Locktite #321 Adhesive, and the Accelerator for Locktite #312.

MODEL CODES:

15 = Grand Wagoneer 4 Dr.	65 = Comanche 4WD-7 Ft. Box	77 = Cherokee 4WD-2 Dr.
25 = J-10 Pickup-119" W.B.	66 = Comanche 2WD-7 Ft. Box	78 = Cherokee 4WD-4 Dr.
26 = J-10 Pickup-131" W.B.	73 = Cherokee 2WD-2 Dr.	79 = Cherokee 4WD-4 Dr.-Com
27 = J-20 Pickup-131" W.B.	74 = Cherokee 2WD-4 Dr.	81 = Wrangler-93" W.B.
63 = Comanche 4WD-6 Ft. Box	75 = Wagoneer 4WD-4 Dr.	82 = Wrangler-103" W.B.-Exp.
64 = Comanche 2WD-6 Ft. Box		

BODY STYLES:

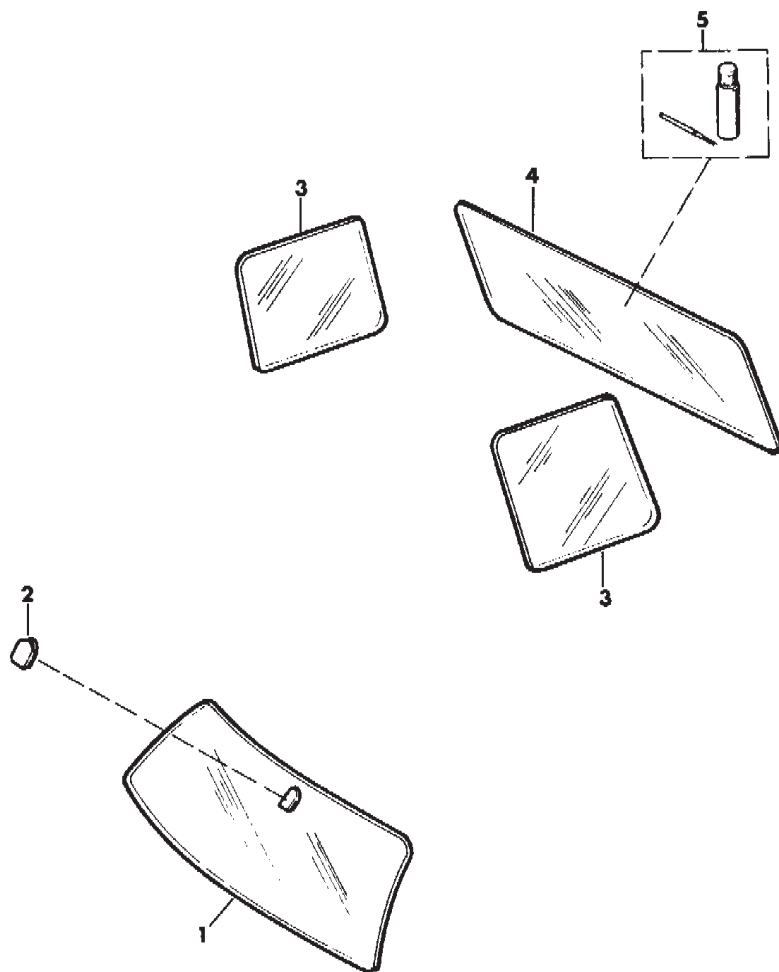
MJ = Comanche Pickup
 SJ = Grand Wagoneer Wgn., J-10 & J-20 Pickups
 XJ = Cherokee, Wagoneer Limited
 YJ = Wrangler

AR = Use as Required - = Non Illustrated Part P.A.R. = Paint as Required

GLASS, STATIONARY WINDSHIELD, QUARTER, AND LIFT DOOR CHEROKEE 4 DOOR, WAGONEER

Figure 23A-5100

8 J 69 5100 A



ITEM	PART NUMBER	QTY	BODY	MODEL	DESCRIPTION
1	5500 0552	1			GLASS, Windshield Clear
	5500 0553	1			Tinted
	J365 7374	1			SUPPORT, Inside Rear View Mirror Mounting (a)
3					GLASS, Quarter
	5500 0700-1	1			Green
4	5501 8654-5	1			Grey
	5500 9768	1			GLASS, Lift Door Clear, 1987
	5500 9769	1			Green
	5500 9770	1			Green, w/rear window defogger
	5501 8738	1			Grey, w/rear window defogger
5	J812 3332	1			REPAIR KIT, Grid ***

(a) The Mirror Support is Replacing Mirror Mounting Kit. When Installing a Mirror, Support, Use Locktite #312 Adhesive and the Accelerator for Locktite #312.

MODEL CODES:

15 = Grand Wagoneer 4 Dr.	65 = Comanche 4WD-7 Ft. Box	77 = Cherokee 4WD-2 Dr.
25 = J-10 Pickup-119" W.B.	66 = Comanche 2WD-7 Ft. Box	78 = Cherokee 4WD-4 Dr.
26 = J-10 Pickup-131" W.B.	73 = Cherokee 2WD-2 Dr.	79 = Cherokee 4WD-4 Dr.-Com
27 = J-20 Pickup-131" W.B.	74 = Cherokee 2WD-4 Dr.	81 = Wrangler-93" W.B.
63 = Comanche 4WD-6 Ft. Box	75 = Wagoneer 4WD-4 Dr.	82 = Wrangler-103" W.B.-Exp.
64 = Comanche 2WD-6 Ft. Box		

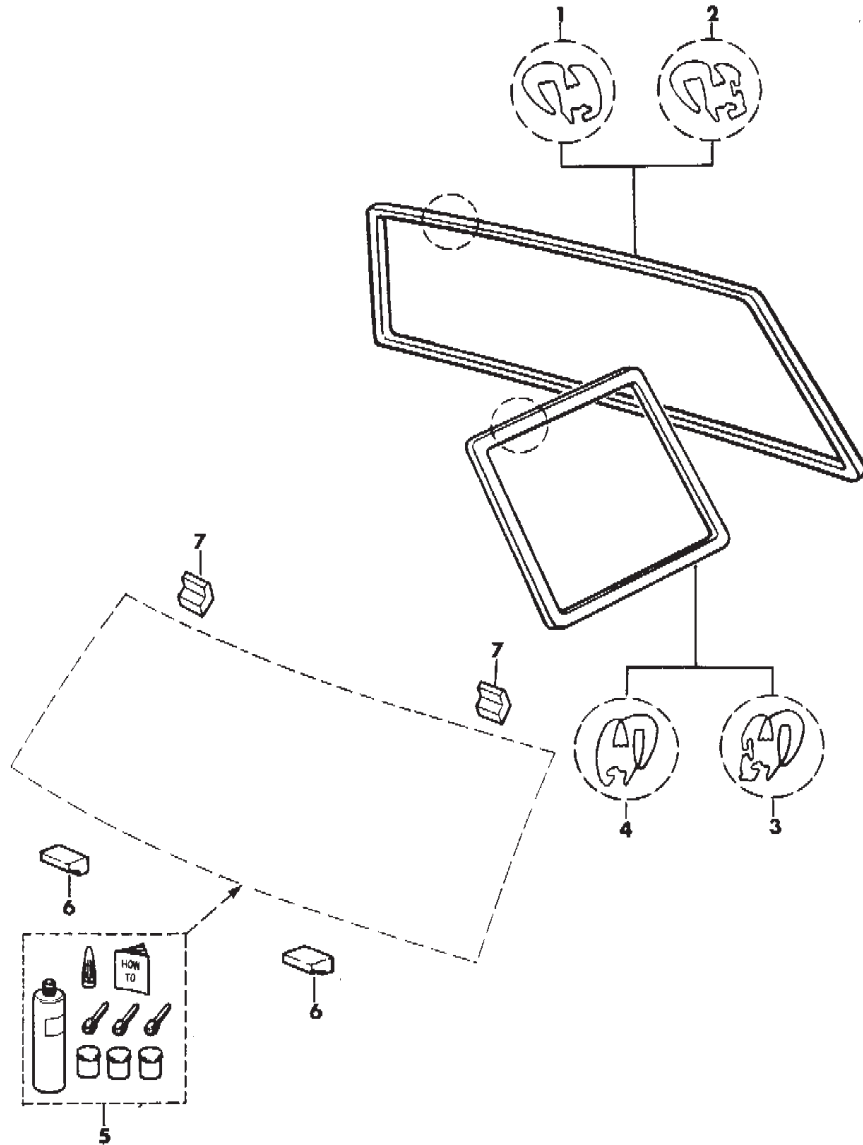
BODY STYLES:

MJ = Comanche Pickup
 SJ = Grand Wagoneer Wgn., J-10 & J-20 Pickups
 XJ = Cherokee, Wagoneer Limited
 YJ = Wrangler

AR = Use as Required - = Non Illustrated Part P.A.R. = Paint as Required

SEALS QUARTER AND LIFT DOOR WINDOW CHEROKEE 4 DOOR, WAGONEER
Figure 23A-5200

8J 69 5200



ITEM	PART NUMBER	QTY	BODY	MODEL	DESCRIPTION
1					SEAL, Lift Door Glass
	5500 7134	1			1987-89
	5502 5250	1			1990
	5500 7135	1			SEAL, Lift Door Glass, w/Mldg.
2	5500 7132-3	1		75	SEAL, Quarter Window
3					
4	5500 7128-9	1		74, 78	SEAL, Quarter Window
5	8310 0051	1			MOUNTING KIT
6	5500 2604	2			SPACER, Windshield Bottom
7	5505 2617	2			SPACER, Windshield Top

MODEL CODES:

15 = Grand Wagoneer 4 Dr.	65 = Comanche 4WD-7 Ft. Box	77 = Cherokee 4WD-2 Dr.
25 = J-10 Pickup-119" W.B.	66 = Comanche 2WD-7 Ft. Box	78 = Cherokee 4WD-4 Dr.
26 = J-10 Pickup-131" W.B.	73 = Cherokee 2WD-2 Dr.	79 = Cherokee 4WD-4 Dr.-Com
27 = J-20 Pickup-131" W.B.	74 = Cherokee 2WD-4 Dr.	81 = Wrangler-93" W.B.
63 = Comanche 4WD-6 Ft. Box	75 = Wagoneer 4WD-4 Dr.	82 = Wrangler-103" W.B.-Exp.
64 = Comanche 2WD-6 Ft. Box		

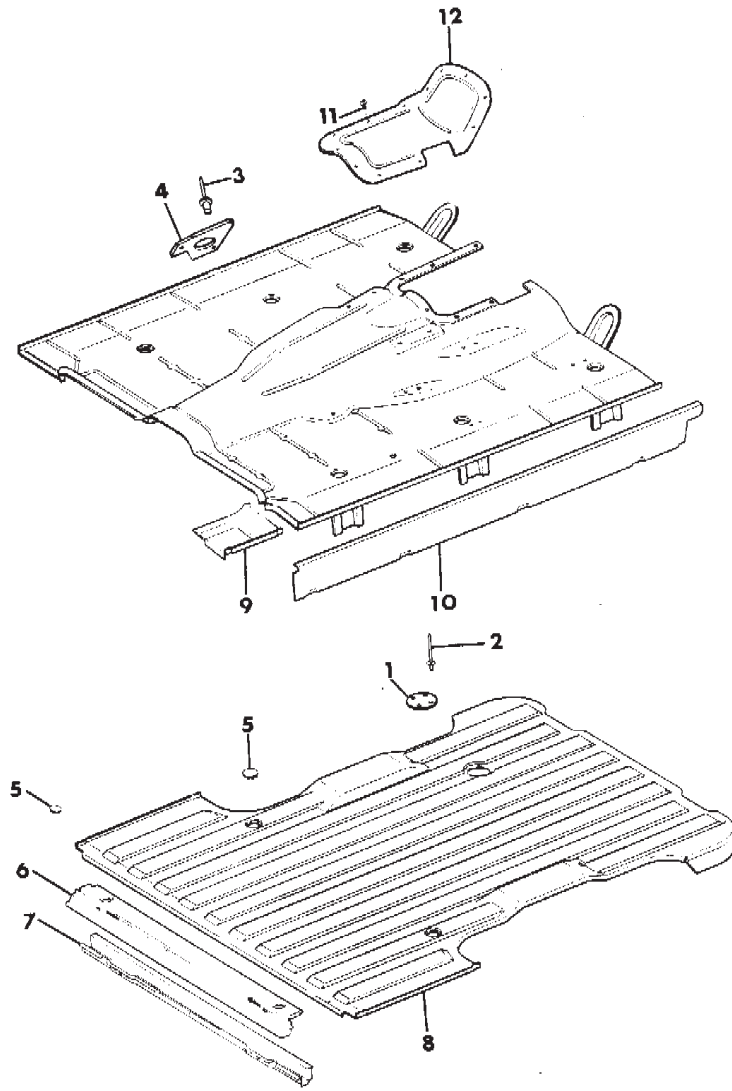
BODY STYLES:

MJ = Comanche Pickup
SJ = Grand Wagoneer Wgn., J-10 & J-20 Pickups
XJ = Cherokee, Wagoneer Limited
YJ = Wrangler

AR = Use as Required - = Non Illustrated Part P.A.R. = Paint as Required

PAN, FLOOR GRAND WAGONEER
Figure 23A-5300

8J69 5300



ITEM	PART NUMBER	QTY	BODY	MODEL	DESCRIPTION
1	J575 2636	1			PLATE
2	J400 5899	4			RIVET
3	J400 5300	2			RIVET
4	J575 1826	1			PLATE, Tapping
5	J400 6453	AR			PLUG
6	J545 1015	1			SILL, Rear Cross
7	J575 8348	1			REINFORCEMENT, Sill
	5502 4906	1			1987-89 1990
8	J575 8349	1			PANEL, Rear Floor
	5502 4907	1			1987-89 1990
9	J545 1552	1			PANEL, Side Extension
	J545 1551	1			Right Left
10	J546 5032	1			SILL, Body Side
	J546 5031	1			Right Left
11	J067 3600	12			SCREW
12	J576 1124	1			COVER, Floor Pan

MODEL CODES:

15 = Grand Wagoneer 4 Dr.	65 = Comanche 4WD-7 Ft. Box	77 = Cherokee 4WD-2 Dr.
25 = J-10 Pickup-119" W.B.	66 = Comanche 2WD-7 Ft. Box	78 = Cherokee 4WD-4 Dr.
26 = J-10 Pickup-131" W.B.	73 = Cherokee 2WD-2 Dr.	79 = Cherokee 4WD-4 Dr.-Com
27 = J-20 Pickup-131" W.B.	74 = Cherokee 2WD-4 Dr.	81 = Wrangler-93" W.B.
63 = Comanche 4WD-6 Ft. Box	75 = Wagoneer 4WD-4 Dr.	82 = Wrangler-103" W.B.-Exp.
64 = Comanche 2WD-6 Ft. Box		

BODY STYLES:

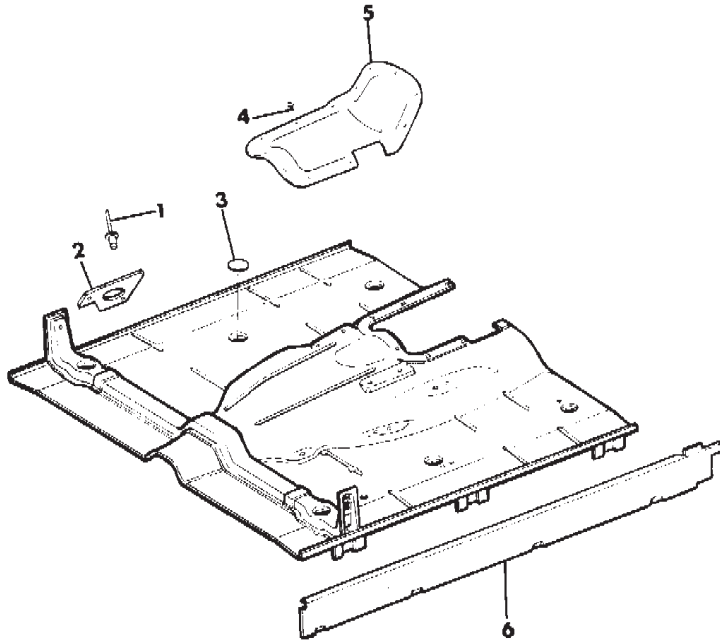
MJ = Comanche Pickup
SJ = Grand Wagoneer Wgn., J-10 & J-20 Pickups
XJ = Cherokee, Wagoneer Limited
YJ = Wrangler

AR = Use as Required - = Non Illustrated Part P.A.R. = Paint as Required

PAN, FLOOR 1987-88 J10, J20
Figure 23A-5400

8J69 5400

ITEM	PART NUMBER	QTY	BODY	MODEL	DESCRIPTION
1	J400 5300	2			RIVET
2	J575 1826	1			PLATE, Tapping w/Auto. Trans.
	J575 1841	1			w/Manual Trans.
3	J400 6453	4			PLUG
4	J067 3600	AR			SCREW
5					COVER, Floor Pan
	J576 1124	1			w/Auto. Trans.
	J576 1125	1			w/Manual Trans.
6	J546 5034	1			SILL, Body Side Right
	J546 5033	1			Left



MODEL CODES:

15 = Grand Wagoneer 4 Dr.	65 = Comanche 4WD-7 Ft. Box	77 = Cherokee 4WD-2 Dr.
25 = J-10 Pickup-119" W.B.	66 = Comanche 2WD-7 Ft. Box	78 = Cherokee 4WD-4 Dr.
26 = J-10 Pickup-131" W.B.	73 = Cherokee 2WD-2 Dr.	79 = Cherokee 4WD-4 Dr.-Com
27 = J-20 Pickup-131" W.B.	74 = Cherokee 2WD-4 Dr.	81 = Wrangler-93" W.B.
63 = Comanche 4WD-6 Ft. Box	75 = Wagoneer 4WD-4 Dr.	82 = Wrangler-103" W.B.-Exp.
64 = Comanche 2WD-6 Ft. Box		

BODY STYLES:

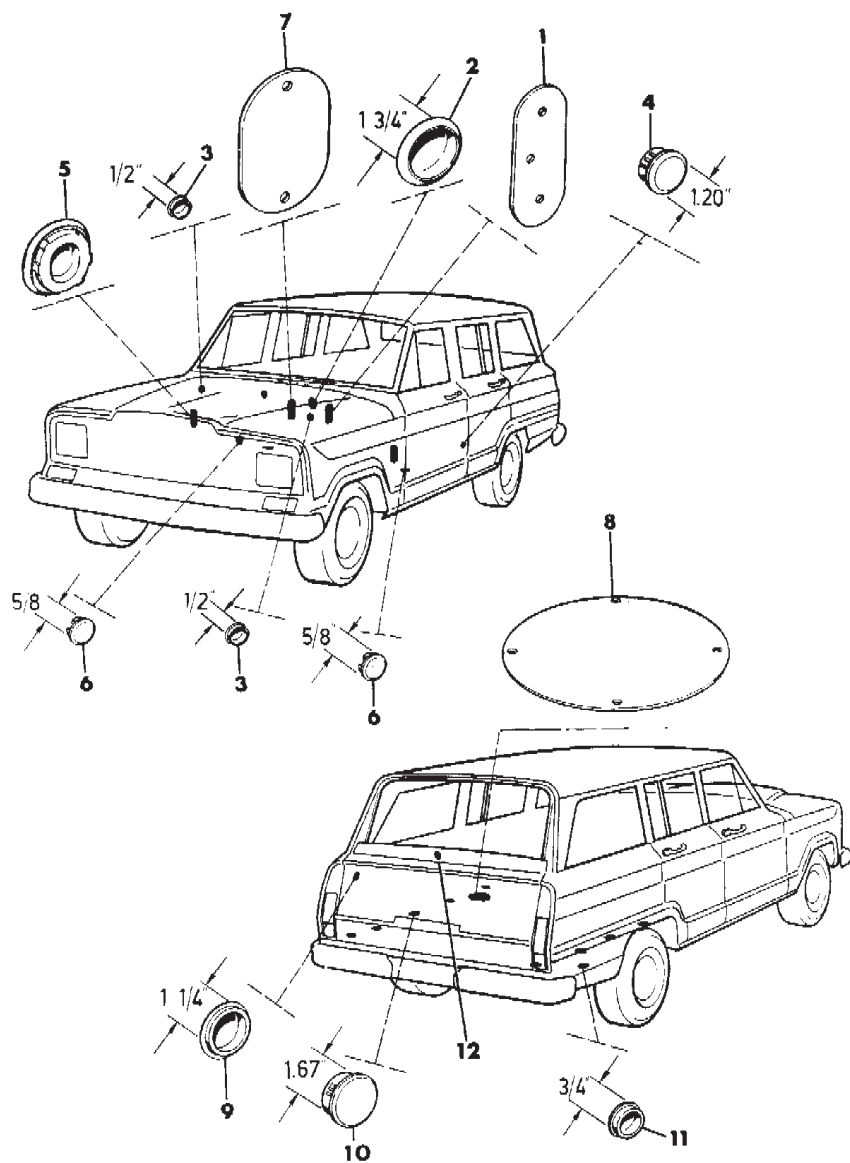
MJ = Comanche Pickup
 SJ = Grand Wagoneer Wgn., J-10 & J-20 Pickups
 XJ = Cherokee, Wagoneer Limited
 YJ = Wrangler

AR = Use as Required - = Non Illustrated Part P.A.R. = Paint as Required

SEALS AND PLUGS, BODY GRAND WAGONEER, J10, J20

Figure 23A-5500

8J69 5500



ITEM	PART NUMBER	QTY	BODY	MODEL	DESCRIPTION
1	J535 1625	1			PLATE
2	J400 0534	1		15	PLUG, 1.75" diameter hole
3	J400 1716	2			PLUG, .50" diameter hole
4	J400 6481	2		15	PLUG, 1" diameter hole
5	J400 6392	2			PLUG, 1.50" x 2.32" hole
6	J400 4888	AR			PLUG, .625" diameter hole
7	J545 3638	1		26,27	PLATE
8	J575 2636	1		15	COVER
9	J400 4649	1		15	PLUG, 1.25" diameter hole
10	J400 6453	AR			PLUG, 1.50" diameter hole
11	J400 0333	2		15	PLUG, 3/4" diameter hole
12	5501 7818	1		15	PLUG, used w/o rear window wiper

MODEL CODES:

15 = Grand Wagoneer 4 Dr.	65 = Comanche 4WD-7 Ft. Box	77 = Cherokee 4WD-2 Dr.
25 = J-10 Pickup-119" W.B.	66 = Comanche 2WD-7 Ft. Box	78 = Cherokee 4WD-4 Dr.
26 = J-10 Pickup-131" W.B.	73 = Cherokee 2WD-2 Dr.	79 = Cherokee 4WD-4 Dr.-Com.
27 = J-20 Pickup-131" W.B.	74 = Cherokee 2WD-4 Dr.	81 = Wrangler-93" W.B.
63 = Comanche 4WD-6 Ft. Box	75 = Wagoneer 4WD-4 Dr.	82 = Wrangler-103" W.B.-Exp.
64 = Comanche 2WD-6 Ft. Box		

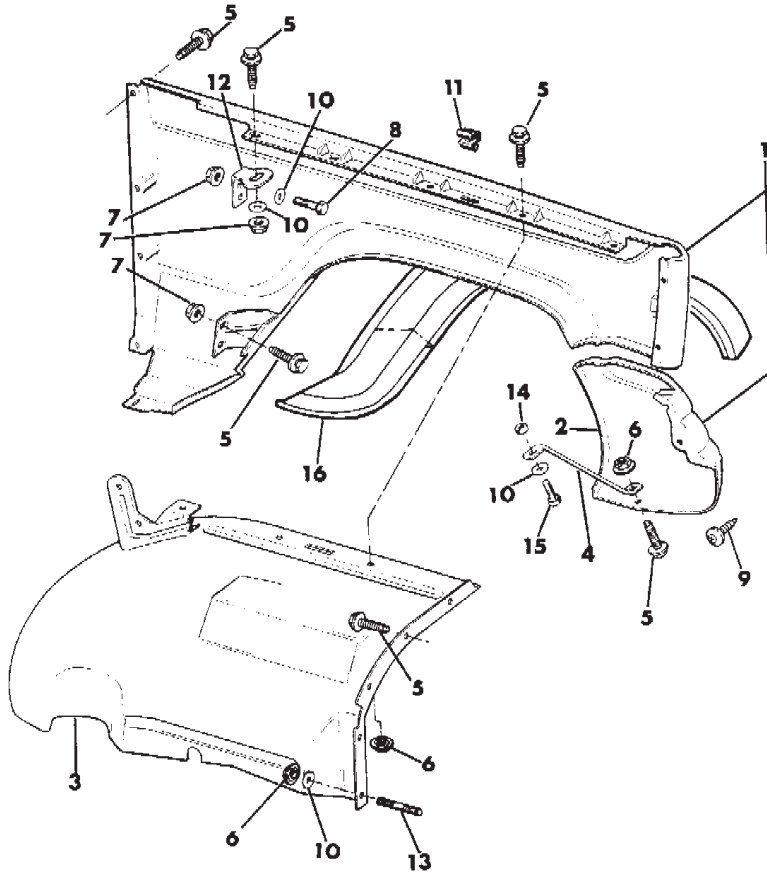
BODY STYLES:

MJ = Comanche Pickup
 SJ = Grand Wagoneer Wgn., J-10 & J-20 Pickups
 XJ = Cherokee, Wagoneer Limited
 YJ = Wrangler

AR = Use as Required - = Non Illustrated Part P.A.R. = Paint as Required

FENDERS, FRONT GRAND WAGONEER, J10, J20
Figure 23A-5600

8 J 69 5600



ITEM	PART NUMBER	QTY	BODY	MODEL	DESCRIPTION	
1					FENDER	
	J546 5038	1		15	Right	
	J546 5037	1		15	Left	
	J546 5040	1		26,27	Right, Modification Required 1987-88	
	J546 5039	1		26,27	Left, Modification Required 1987-88	
2					EXTENSION	
	J095 6730	1		15	Right	
	J095 6729	1		15	Left	
	J095 6738	1		26,27	Right 1987-88	
	J095 6737	1		26,27	Left 1987-88	
3					PANEL, Splash	
	5502 7372	1			Right, 8 Cyl. Eng. 1988-89	
	J575 8242	1			1987	
	5502 7372	1			1990	
	J546 2768	1			Right, 6 Cyl. Eng.	
	5502 0171	1			Left, w/Rear Wiper 1987-89	
	5502 7373	1			1990	
	J575 8369	1			Left, w/o Rear Wiper	
						BRACE
	J095 9692	2		15		
J095 9697	2		26,27		1987-88	
5	J400 4455	AR			SCREW, 1.12" Long	
6	J400 7045	AR			NUT	
7	J400 4866	AR			NUT	
8	J400 1933	AR			SCREW, .88" Long	
	J400 4455	AR			SCREW, 1.1" long	
9	J400 5690	2			SCREW, .56" Long	
10	S044 6363	AR			WASHER	
11	J096 3331	4			BUMPER	
12	J095 7407	2			BRACKET	
13	J095 8166	2			STUD	
14	J096 1069	2			NUT	
15	J096 2398	2			SCREW, .75" Long	
16					EXTENSION	
	J095 6735	1		26,27	Left, 1987-88 P.A.R.	
	J095 6736	1		26,27	Right, 1987-88 P.A.R.	

MODEL CODES:

15 = Grand Wagoneer 4 Dr.	65 = Comanche 4WD-7 Ft. Box	77 = Cherokee 4WD-2 Dr.
25 = J-10 Pickup-119" W.B.	66 = Comanche 2WD-7 Ft. Box	78 = Cherokee 4WD-4 Dr.
26 = J-10 Pickup-131" W.B.	73 = Cherokee 2WD-2 Dr.	79 = Cherokee 4WD-4 Dr.-Com.
27 = J-20 Pickup-131" W.B.	74 = Cherokee 2WD-4 Dr.	81 = Wrangler-93" W.B.
63 = Comanche 4WD-6 Ft. Box	75 = Wagoneer 4WD-4 Dr.	82 = Wrangler-103" W.B.-Exp.
64 = Comanche 2WD-6 Ft. Box		

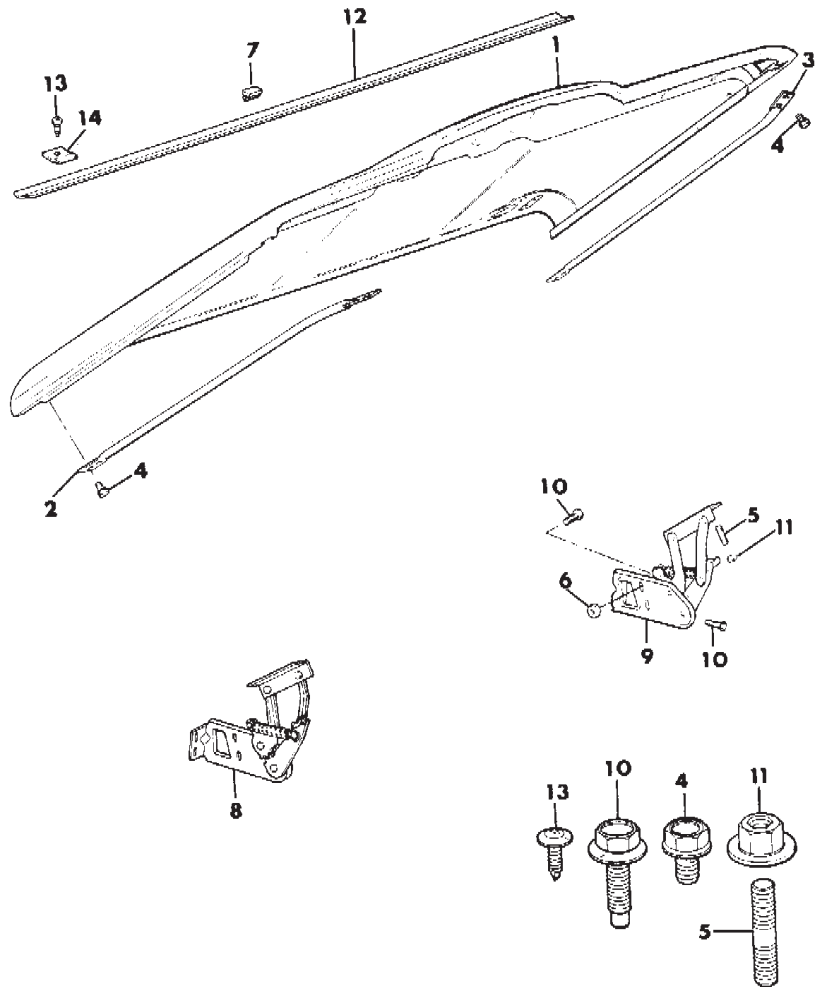
BODY STYLES:

MJ = Comanche Pickup
 SJ = Grand Wagoneer Wgn., J-10 & J-20 Pickups
 XJ = Cherokee, Wagoneer Limited
 YJ = Wrangler

AR = Use as Required - = Non Illustrated Part P.A.R. = Paint as Required

HOOD AND HINGES GRAND WAGONEER, J10, J20
Figure 23A-5700

8J69 5700



ITEM	PART NUMBER	QTY	BODY	MODEL	DESCRIPTION
1	5501 3208	1			HOOD, modification required
2	J098 5174	1			CROSSMEMBER, Right ***
3	J098 5173	1			CROSSMEMBER, Left ***
4	J400 3915	8			SCREW
5	J095 8166	4			STUD
6	J400 7045	4			NUT
7	J096 4703	1			BUMPER, Hood
8	J095 6964	1			HINGE, Hood Right
9	J095 6963	1			HINGE, Hood Left
10	J400 4455	AR			SCREW
11	J400 4866	AR			NUT
12	J545 9613	1			WEATHERSTRIP
13	J400 5690	AR			SCREW
14	J090 8834	4			CLAMP

MODEL CODES:

15 = Grand Wagoneer 4 Dr.	65 = Comanche 4WD-7 Ft. Box	77 = Cherokee 4WD-2 Dr.
25 = J-10 Pickup-119" W.B.	66 = Comanche 2WD-7 Ft. Box	78 = Cherokee 4WD-4 Dr.
26 = J-10 Pickup-131" W.B.	73 = Cherokee 2WD-2 Dr.	79 = Cherokee 4WD-4 Dr.-Com
27 = J-20 Pickup-131" W.B.	74 = Cherokee 2WD-4 Dr.	81 = Wrangler-93" W.B.
63 = Comanche 4WD-6 Ft. Box	75 = Wagoneer 4WD-4 Dr.	82 = Wrangler-103" W.B.-Exp.
64 = Comanche 2WD-6 Ft. Box		

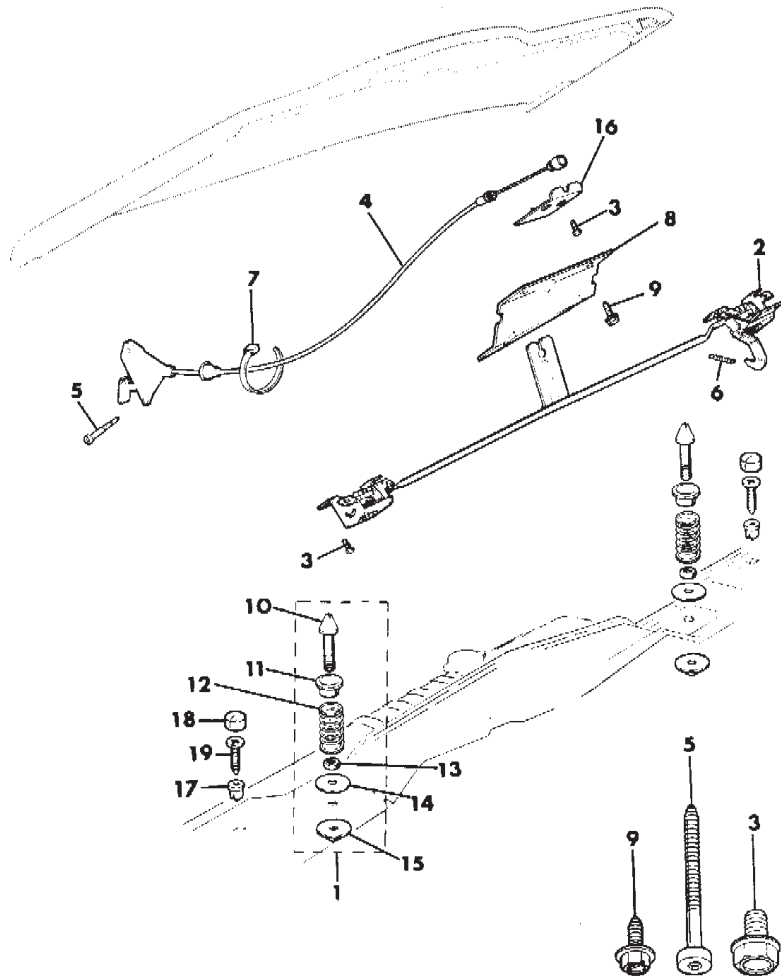
BODY STYLES:

MJ = Comanche Pickup
 SJ = Grand Wagoneer Wgn., J-10 & J-20 Pickups
 XJ = Cherokee, Wagoneer Limited
 YJ = Wrangler

AR = Use as Required - = Non Illustrated Part P.A.R. = Paint as Required

LOCK AND RELEASE, HOOD GRAND WAGONEER, J10, J20
Figure 23A-5800

8J69 5800



ITEM	PART NUMBER	QTY	BODY	MODEL	DESCRIPTION
1	J095 6418	2			LOCK ASSEMBLY, Hood
2	J575 8026	1			LOCK ASSEMBLY, Hood
3	J400 3915	AR			SCREW
4	J575 8027	1			CABLE, Hood Release
5	J400 7478	2			SCREW
6	J097 2970	1			SPRING
7	J322 3227	2			STRAP
8	J575 8029	1			SHIELD
9	J812 0054	2			SCREW
10	J096 3338	2			LOCK
11	J096 3339	2			RETAINER
12	J096 3336	2			SPRING
13	S012 4934	2			NUT
14	J096 6112	2			WASHER
15	J096 3337	2			NUT
16	J575 8028	1			BRACKET
17	J095 8557	2			NUT
18	J095 8556	2			BUMPER, Hood
19	J096 0139	2			SCREW

MODEL CODES:
 15 = Grand Wagoneer 4 Dr. 65 = Comanche 4WD-7 Ft. Box 77 = Cherokee 4WD-2 Dr.
 25 = J-10 Pickup-119" W.B. 66 = Comanche 2WD-7 Ft. Box 78 = Cherokee 4WD-4 Dr.
 26 = J-10 Pickup-131" W.B. 73 = Cherokee 2WD-2 Dr. 79 = Cherokee 4WD-4 Dr.-Com
 27 = J-20 Pickup-131" W.B. 74 = Cherokee 2WD-4 Dr. 81 = Wrangler-93" W.B.
 63 = Comanche 4WD-6 Ft. Box 75 = Wagoneer 4WD-4 Dr. 82 = Wrangler-103" W.B.-Exp.
 64 = Comanche 2WD-6 Ft. Box

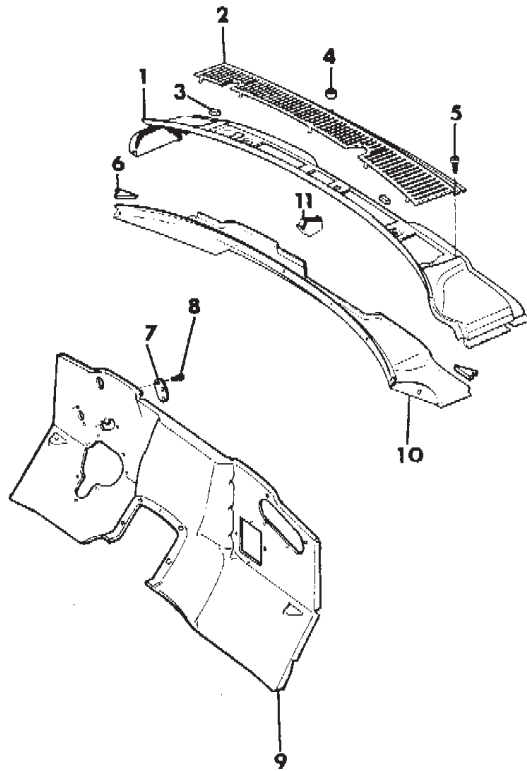
BODY STYLES:
 MJ = Comanche Pickup
 SJ = Grand Wagoneer Wgn., J-10 & J-20 Pickups
 XJ = Cherokee, Wagoneer Limited
 YJ = Wrangler

AR = Use as Required - = Non Illustrated Part P.A.R. = Paint as Required

PANELS, COWL AND DASH GRAND WAGONEER, J10, J20

Figure 23A-5900

8J69 5900



ITEM	PART NUMBER	QTY	BODY	MODEL	DESCRIPTION
1	J545 1063	1			PANEL, Cowl Top
2	J095 2573	1			GRILLE, Cowl Top
3	J095 9739	9			SPACER
4	J096 4703	1			BUMPER, Hood
5	J400 5690	7			SCREW
6	J545 7194	2			SPACER
7	J535 1625	1			PLATE, Cover w/Auto. Trans.
8	S045 1824	2			SCREW
9					PANEL, Dash
	5505 2600	1			1987-89
	5502 5709	1			1990
10	J575 2844	1			PANEL, Cowl
11	J098 1310	1			SUPPORT

MODEL CODES:

15 = Grand Wagoneer 4 Dr.	65 = Comanche 4WD-7 Ft. Box	77 = Cherokee 4WD-2 Dr.
25 = J-10 Pickup-119" W.B.	66 = Comanche 2WD-7 Ft. Box	78 = Cherokee 4WD-4 Dr.
26 = J-10 Pickup-131" W.B.	73 = Cherokee 2WD-2 Dr.	79 = Cherokee 4WD-4 Dr.-Com
27 = J-20 Pickup-131" W.B.	74 = Cherokee 2WD-4 Dr.	81 = Wrangler-93" W.B.
63 = Comanche 4WD-6 Ft. Box	75 = Wagoneer 4WD-4 Dr.	82 = Wrangler-103" W.B.-Exp.
64 = Comanche 2WD-6 Ft. Box		

BODY STYLES:

MJ = Comanche Pickup
 SJ = Grand Wagoneer Wgn., J-10 & J-20 Pickups
 XJ = Cherokee, Wagoneer Limited
 YJ = Wrangler

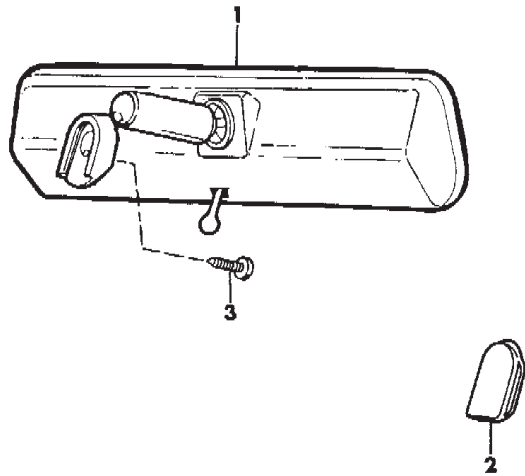
AR = Use as Required - = Non Illustrated Part P.A.R. = Paint as Required

MIRROR, INSIDE REAR VIEW GRAND WAGONEER, J10, J20
Figure 23A-6000

8J 69 6000

ITEM	PART NUMBER	QTY	BODY	MODEL	DESCRIPTION
1	5500 9783	1			MIRROR, Inside Rear View
2	J365 7374	1			SUPPORT, Inside Rear View Mirror Mounting, (a)
3	J400 5766	1			SCREW

Note:(a) The Mirror Support is Replacing Mirror Mounting Kit. When installing a Mirror Support, use Adhesive Repair Kit 4293039. to #312.



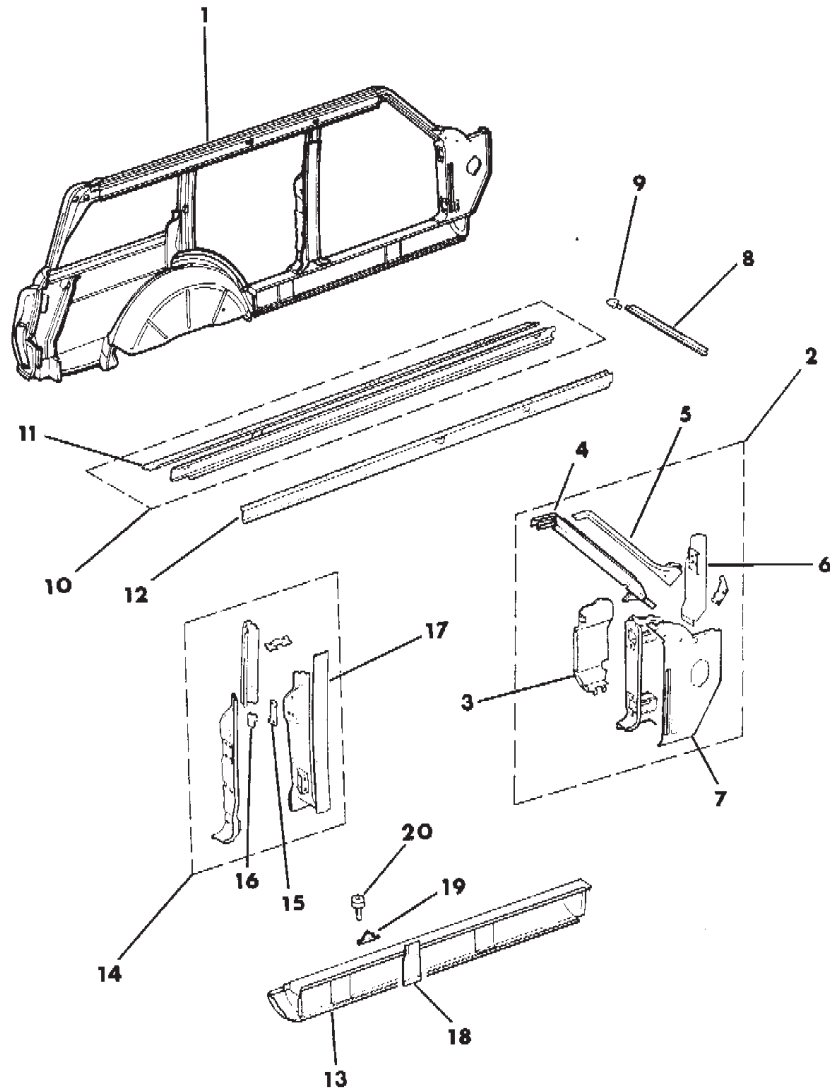
MODEL CODES:
 15 = Grand Wagoneer 4 Dr. 65 = Comanche 4WD-7 Ft. Box 77 = Cherokee 4WD-2 Dr.
 25 = J-10 Pickup-119" W.B. 66 = Comanche 2WD-7 Ft. Box 78 = Cherokee 4WD-4 Dr.
 26 = J-10 Pickup-131" W.B. 73 = Cherokee 2WD-2 Dr. 79 = Cherokee 4WD-4 Dr.-Com
 27 = J-20 Pickup-131" W.B. 74 = Cherokee 2WD-4 Dr. 81 = Wrangler-93" W.B.
 63 = Comanche 4WD-6 Ft. Box 75 = Wagoneer 4WD-4 Dr. 82 = Wrangler-103" W.B.-Exp.
 64 = Comanche 2WD-6 Ft. Box

BODY STYLES:
 MJ = Comanche Pickup
 SJ = Grand Wagoneer Wgn., J-10 & J-20 Pickups
 XJ = Cherokee, Wagoneer Limited
 YJ = Wrangler

AR = Use as Required - = Non Illustrated Part P.A.R. = Paint as Required

PANELS, BODY SIDE GRAND WAGONEER
Figure 23A-6100

8J 69 6100



ITEM	PART NUMBER	QTY	BODY	MODEL	DESCRIPTION
1	J576 4252-3	1			PANEL, Side
2	J575 7492-3	1			PILLAR, Hinge
	5502 6534-5	1			1987-89
					1990
3					PANEL, Cowl Side
	J095 6636	1			Right
	J095 6635	1			Left
4					PILLAR, Body
	J095 6778	1			Right
	J095 6777	1			Left
5					REINFORCEMENT, Pillar
	J095 6644	1			Right
	J095 6643	1			Left
6					PANEL, Cowl Side
	J095 7468	1			Right
	J545 0135	1			Left
7					PANEL, Inner
	J575 1926	1			Right
	J575 8033	1			Left
8					MOLDING, Drip
	J096 8210	1			Right
	J096 8209	1			Left
9	J096 8201	2			CAP, Molding
10					RAIL, Roof
	J096 5552	1			Right
	5502 1759	1			Left
11					MOLDING, Drip
	J096 5540	1			Right
	J096 5539	1			Left
12					RAIL, Roof Inner
	J545 4864	1			Right
	J546 1047	1			Left, 1987-88
	5502 1769	1			Left, 1989-90
13					PANEL, Rocker
	J546 5046	1			Right
	J546 5045	1			Left
14					PILLAR, Center

MODEL CODES:

15 = Grand Wagoneer 4 Dr.	65 = Comanche 4WD-7 Ft. Box	77 = Cherokee 4WD-2 Dr.
25 = J-10 Pickup-119" W.B.	66 = Comanche 2WD-7 Ft. Box	78 = Cherokee 4WD-4 Dr.
26 = J-10 Pickup-131" W.B.	73 = Cherokee 2WD-2 Dr.	79 = Cherokee 4WD-4 Dr.-Com
27 = J-20 Pickup-131" W.B.	74 = Cherokee 2WD-4 Dr.	81 = Wrangler-93" W.B.
63 = Comanche 4WD-6 Ft. Box	75 = Wagoneer 4WD-4 Dr.	82 = Wrangler-103" W.B.-Exp.
64 = Comanche 2WD-6 Ft. Box		

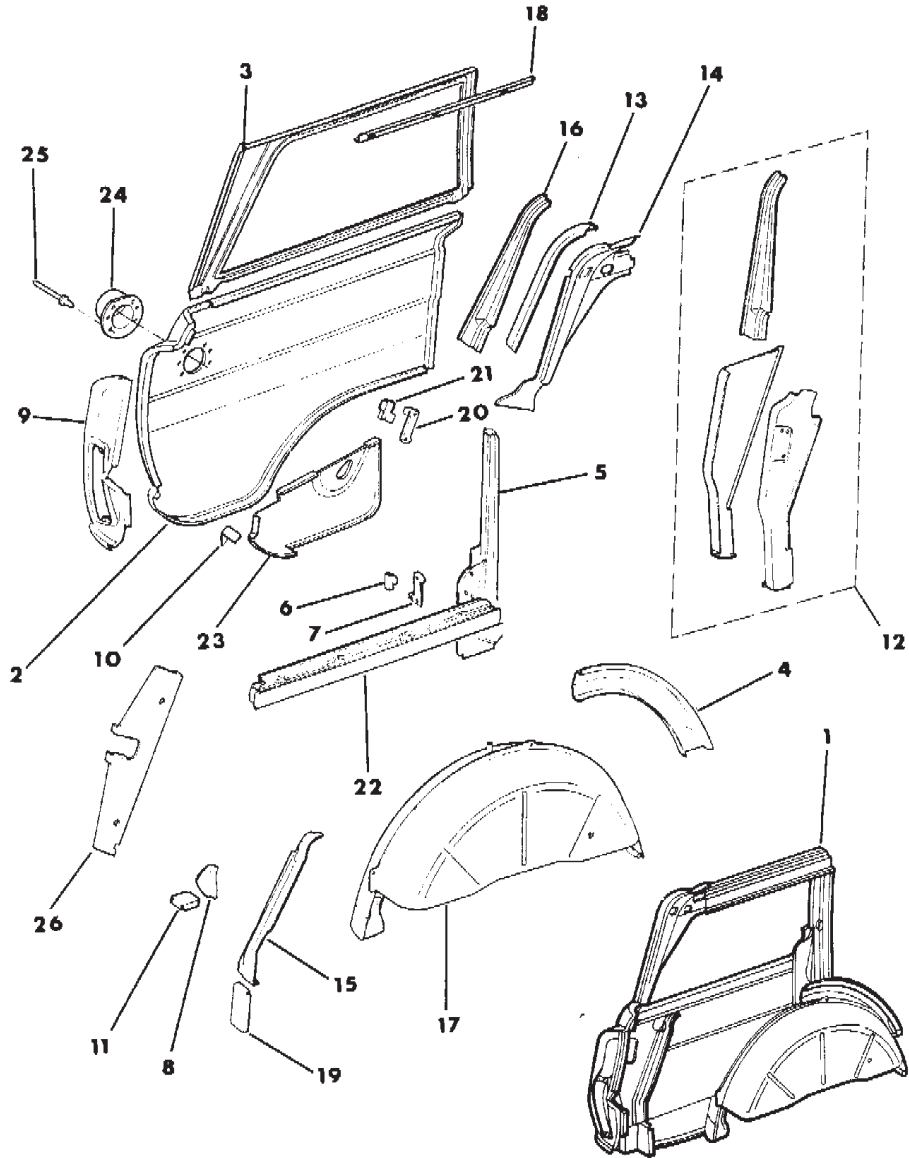
BODY STYLES:

MJ = Comanche Pickup
 SJ = Grand Wagoneer Wgn., J-10 & J-20 Pickups
 XJ = Cherokee, Wagoneer Limited
 YJ = Wrangler

AR = Use as Required - = Non Illustrated Part P.A.R. = Paint as Required

PANELS, REAR QUARTER GRAND WAGONEER
Figure 23A-6200

8J 69 6200



ITEM	PART NUMBER	QTY	BODY	MODEL	DESCRIPTION
1	5700 2310	1			FRAME, Quarter Window, 1988 (Item #2 Not Included)
	J575 1721	1			Right
	J576 4254-5	1			Left
2	J096 5548	1			PANEL, Rear Quarter
	J096 5547	1			PANEL, Quarter Upper
3	J096 5548	1			Right
	J096 5547	1			Left
	J095 6688	1			EXTENSION, Panel
4	J095 6687	1			Right
	J095 6687	1			Left
	J575 0133	1			PILLAR, Lock
5	J575 0127	1			Right
	J575 0127	1			Left
6	J575 0092	2			RETAINER, Tapping Plate
	J575 0091	2			PLATE, Tapping
7	J095 6632	1			FILLER, Panel
	J095 6631	1			Right
8	J095 6631	1			Left
	J545 0456	1			PANEL, Taillamp
	J545 0455	1			Right
9	J545 0455	1			Left
	J096 0162	1			BRACKET, Extension
10	J096 0161	1			Right
	J096 0161	1			Left
11	J098 1426	2			FILLER
	J098 1426	2			FILLER
12	J098 1426	2			FILLER
	5502 0274	1			PILLAR, Body
	J575 0110	1			Right, w/Rear Wiper
13	J575 0110	1			Left
	J095 9410	1			EXTENSION, Pillar
14	J095 9409	1			Right
	J095 9409	1			Left
15	J545 1144	1			PILLAR, Body
	J545 1143	1			Right
	J545 1143	1			Left
16	J545 1164	1			PANEL, Side
	J545 1163	1			Right
	J545 1163	1			Left

MODEL CODES:

15 = Grand Wagoneer 4 Dr. 65 = Comanche 4WD-7 Ft. Box 77 = Cherokee 4WD-2 Dr.
 25 = J-10 Pickup-119" W.B. 66 = Comanche 2WD-7 Ft. Box 78 = Cherokee 4WD-4 Dr.
 26 = J-10 Pickup-131" W.B. 73 = Cherokee 2WD-2 Dr. 79 = Cherokee 4WD-4 Dr.-Com
 27 = J-20 Pickup-131" W.B. 74 = Cherokee 2WD-4 Dr. 81 = Wrangler-93" W.B.
 63 = Comanche 4WD-6 Ft. Box 75 = Wagoneer 4WD-4 Dr. 82 = Wrangler-103" W.B.-Exp.
 64 = Comanche 2WD-6 Ft. Box

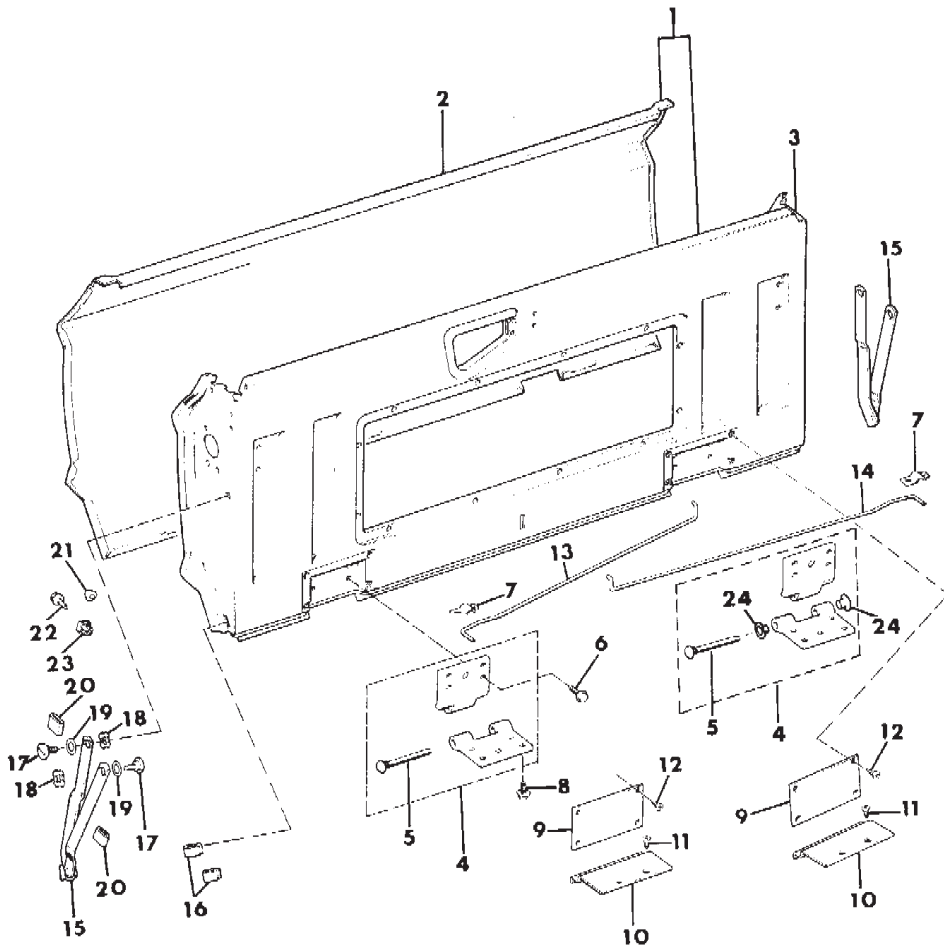
BODY STYLES:

MJ = Comanche Pickup
 SJ = Grand Wagoneer Wgn., J-10 & J-20 Pickups
 XJ = Cherokee, Wagoneer Limited
 YJ = Wrangler

AR = Use as Required - = Non Illustrated Part P.A.R. = Paint as Required

TAILGATE AND HINGES GRAND WAGONEER
Figure 23A-6300

8 J 69 6300 A



ITEM	PART NUMBER	QTY	BODY	MODEL	DESCRIPTION
1	5501 8793	1			TAILGATE, w/Rear Wiper
2	5501 8794	1			PANEL, Quarter w/Rear Wiper
3	5501 8796	1			PANEL, Inner w/Rear Wiper
4	J575 1937	2			HINGE, Tailgate
5	J576 4063	2			PIN, Hinge
6	J400 3069	8			BOLT
7	J575 8338-9	1			BRACKET, Rod
8	J400 4455	8			BOLT
9	J545 1413	2			COVER, Hinge
10	J545 1437	2			COVER, Hinge
11	S016 3470	8			SCREW
12	J400 1477	8			SCREW
13	J545 1577	1			ROD, Hinge Torque Left
14	J545 1578	1			ROD, Hinge Torque Right
15		1			ARM, Tailgate Support
	5501 2988-9				1987-89
	5502 5234-5				1990
16	J096 4504	1			BUMPER
17	J095 7717	4			BOLT
18	J400 4711	4			WASHER
19	J095 8649	4			WASHER, Spring
20	J096 1095	4			SLEEVE
21	J400 4156	1			BUMPER, License
22	J812 0054	2			SCREW
23	J400 0141	2			NUT
24	J575 0918	2			BUSHING

MODEL CODES:

15 = Grand Wagoneer 4 Dr.	65 = Comanche 4WD-7 Ft. Box	77 = Cherokee 4WD-2 Dr.
25 = J-10 Pickup-119" W.B.	66 = Comanche 2WD-7 Ft. Box	78 = Cherokee 4WD-4 Dr.
26 = J-10 Pickup-131" W.B.	73 = Cherokee 2WD-2 Dr.	79 = Cherokee 4WD-4 Dr.-Com
27 = J-20 Pickup-131" W.B.	74 = Cherokee 2WD-4 Dr.	81 = Wrangler-93" W.B.
63 = Comanche 4WD-6 Ft. Box	75 = Wagoneer 4WD-4 Dr.	82 = Wrangler-103" W.B.-Exp.
64 = Comanche 2WD-6 Ft. Box		

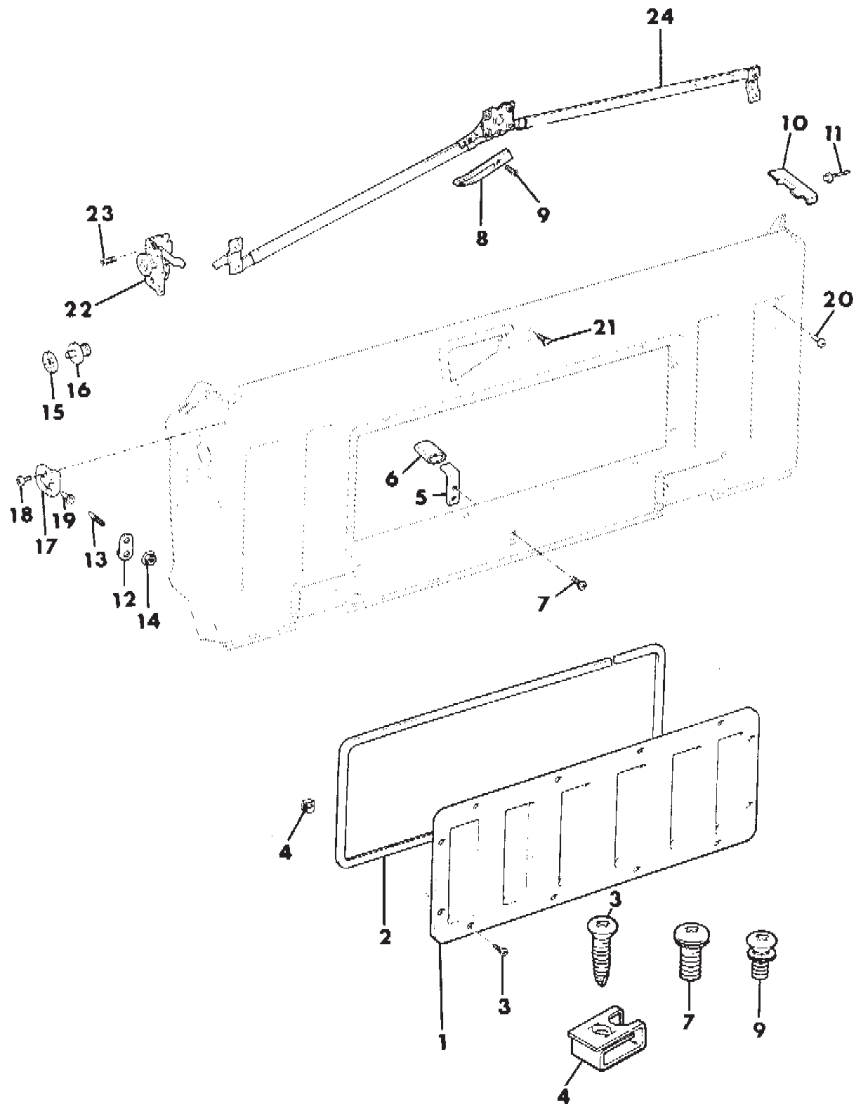
BODY STYLES:

MJ = Comanche Pickup
 SJ = Grand Wagoneer Wgn., J-10 & J-20 Pickups
 XJ = Cherokee, Wagoneer Limited
 YJ = Wrangler

AR = Use as Required - = Non Illustrated Part P.A.R. = Paint as Required

LATCHES, TAILGATE GRAND WAGONEER
Figure 23A-6400

8 J69 6400



ITEM	PART NUMBER	QTY	BODY	MODEL	DESCRIPTION
1	J095 2567	1			COVER
2	J098 4755	1			GASKET, Cover
3	J096 6227	12			SCREW, .75" long
4	J096 6217	12			NUT
5					BRACKET, Glass Stop
	J095 7743	2			used w/o tailgate window wiper *** used w/tailgate window wiper ***
	5501 7816	1			Right
	5501 7817	1			Left
6	J097 6665	2			BUMPER, Stop
7	J027 2475	4			SCREW, .50" long
8	J095 6374	1			HANDLE, Inside
9	J096 0212	1			SCREW, .38" long
10					CAP, End
	J545 2498	1			Right
	J545 2497	1			Left
11	J400 4962	2			RIVET
12	J545 1569	2			PLATE
13	J400 5884	2			STUD
14	J400 4866	2			NUT
15	J400 6404	6			WASHER, Bite
16	J400 6406	2			STRIKER, Tailgate
17	J545 1600	2			RECEPTACLE, Dovetail Mounting
18	J400 3794	4			SCREW
19	J546 4444	2			INSERT
20	J018 8749	4			SCREW
21	J027 3333	4			SCREW
22					LATCH, Tailgate
	J575 0068	1			Right
	J575 0067	1			Left
23	J400 7032	6			SCREW
24	J096 1995	1			CONTROL, Tailgate Remote

MODEL CODES:

15 = Grand Wagoneer 4 Dr.	65 = Comanche 4WD-7 Ft. Box	77 = Cherokee 4WD-2 Dr.
25 = J-10 Pickup-119" W.B.	66 = Comanche 2WD-7 Ft. Box	78 = Cherokee 4WD-4 Dr.
26 = J-10 Pickup-131" W.B.	73 = Cherokee 2WD-2 Dr.	79 = Cherokee 4WD-4 Dr.-Com
27 = J-20 Pickup-131" W.B.	74 = Cherokee 2WD-4 Dr.	81 = Wrangler-93" W.B.
63 = Comanche 4WD-6 Ft. Box	75 = Wagoneer 4WD-4 Dr.	82 = Wrangler-103" W.B.-Exp.
64 = Comanche 2WD-6 Ft. Box		

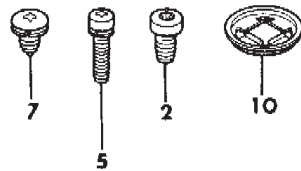
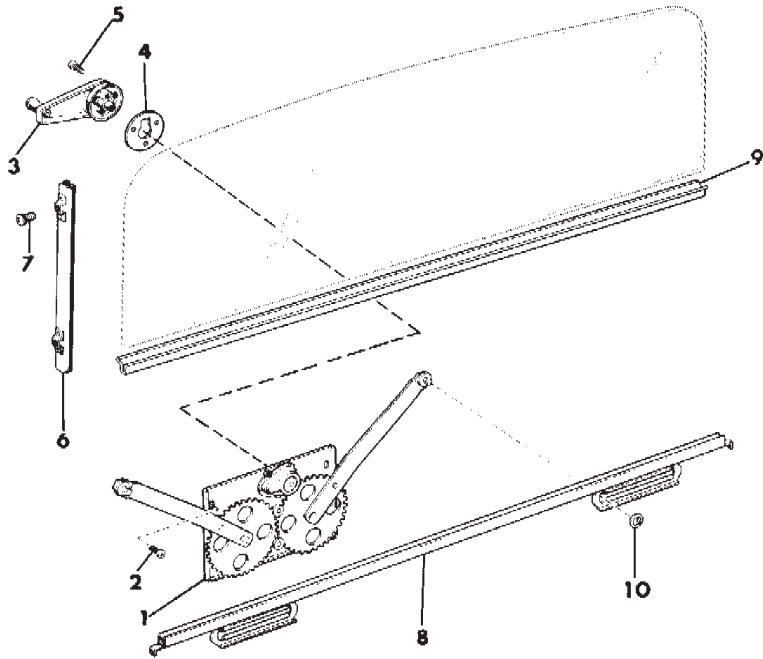
BODY STYLES:

MJ = Comanche Pickup
 SJ = Grand Wagoneer Wgn., J-10 & J-20 Pickups
 XJ = Cherokee, Wagoneer Limited
 YJ = Wrangler

AR = Use as Required - = Non Illustrated Part P.A.R. = Paint as Required

REGULATOR, TAILGATE GLASS MANUAL GRAND WAGONEER
Figure 23A-6500

8 J69 6500



ITEM	PART NUMBER	QTY	BODY	MODEL	DESCRIPTION
1	J097 4016	1			REGULATOR, Glass
2	J400 3794	6			SCREW, .38" Long
3	J575 1929	1			HANDLE, Tailgate
4	J096 0205	1			GASKET
5	S045 5694	3			SCREW, .75" long 1987-88
	J400 0640	3			1989-90
6	J546 5084	2			CHANNEL, Window Guide
7	J097 9925	4			SCREW, .31" Long
8	J813 0454	1			CHANNEL, Glass
9	J546 9605	1			SEAL, Glass Lower
10	J098 0363	2			RETAINER

MODEL CODES:

15 = Grand Wagoneer 4 Dr.	65 = Comanche 4WD-7 Ft. Box	77 = Cherokee 4WD-2 Dr.
25 = J-10 Pickup-119" W.B.	66 = Comanche 2WD-7 Ft. Box	78 = Cherokee 4WD-4 Dr.
26 = J-10 Pickup-131" W.B.	73 = Cherokee 2WD-2 Dr.	79 = Cherokee 4WD-4 Dr.-Com
27 = J-20 Pickup-131" W.B.	74 = Cherokee 2WD-4 Dr.	81 = Wrangler-93" W.B.
63 = Comanche 4WD-6 Ft. Box	75 = Wagoneer 4WD-4 Dr.	82 = Wrangler-103" W.B.-Exp.
64 = Comanche 2WD-6 Ft. Box		

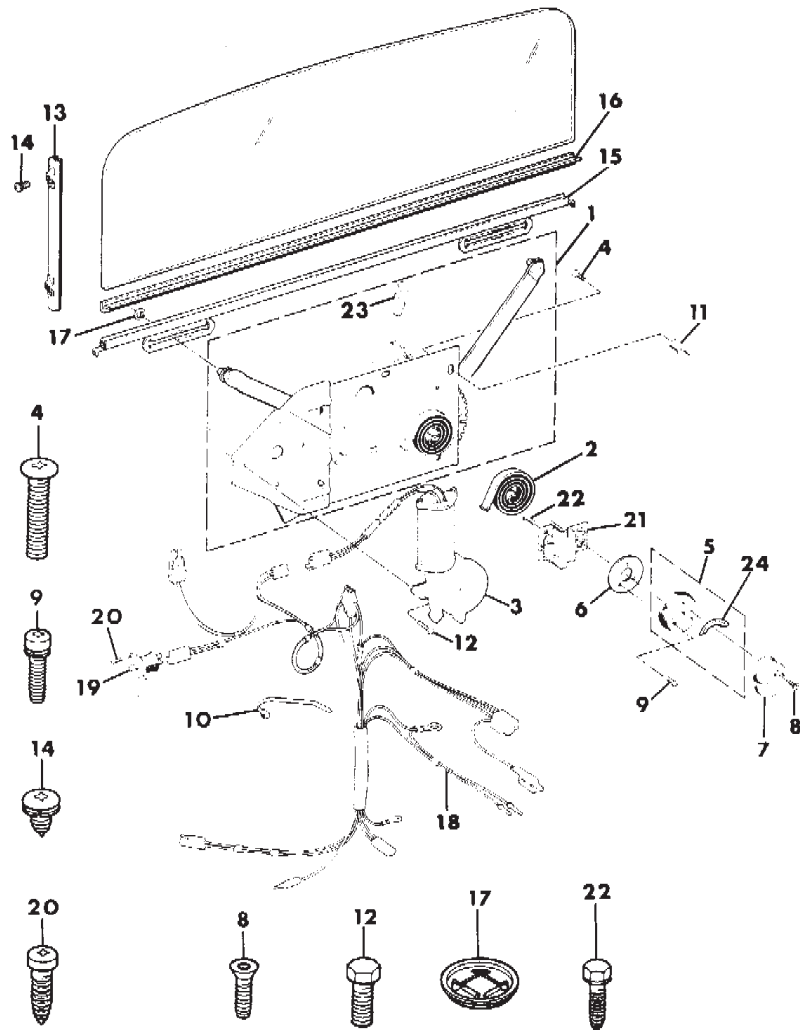
BODY STYLES:

MJ = Comanche Pickup
 SJ = Grand Wagoneer Wgn., J-10 & J-20 Pickups
 XJ = Cherokee, Wagoneer Limited
 YJ = Wrangler

AR = Use as Required - = Non Illustrated Part P.A.R. = Paint as Required

REGULATOR, TAILGATE GLASS ELECTRIC GRAND WAGONEER
Figure 23A-6600

8J69 6600



ITEM	PART NUMBER	QTY	BODY	MODEL	DESCRIPTION
1					REGULATOR, Glass
	J813 3035	1			w/o Rear Wipe and Washer
	8350 4949	1			w/Rear Wipe and Washer
2	J812 9551	1			SPRING
3	8350 3429	1			MOTOR, Electric Window
4	J812 6447	6			SCREW
5	5502 2220	1			BASE, Regulator Switch
6	J096 0205	1			GASKET
7	J545 1502	1			COVER
8	J400 4969	2			SCREW
9	J400 0640	3			SCREW
10	J322 3227	3			STRAP
11	J812 5586	6			SPACER
12	J812 5585	3			SCREW, (Not Serv.)
13	J546 5084	2			CHANNEL, Window Guide
14	J097 9925	4			SCREW
15	J813 0454	1			CHANNEL, Glass Lifter
16	J546 9605	1			SEAL, Glass Lower
17	J098 0363	2			RETAINER
18	5600 2656	1			WIRING
19	J575 0087	1			SWITCH, Safety
20	J016 2077	2			SCREW
21	5600 3167	1			SWITCH, Tailgate Glass
22	J400 5559	2			SCREW
23	5600 3694	1			SWITCH, Regulator Lockout
24	5502 2196	1			DECAL, Key Removal

MODEL CODES:

15 = Grand Wagoneer 4 Dr.	65 = Comanche 4WD-7 Ft. Box	77 = Cherokee 4WD-2 Dr.
25 = J-10 Pickup-119" W.B.	66 = Comanche 2WD-7 Ft. Box	78 = Cherokee 4WD-4 Dr.
26 = J-10 Pickup-131" W.B.	73 = Cherokee 2WD-2 Dr.	79 = Cherokee 4WD-4 Dr.-Com.
27 = J-20 Pickup-131" W.B.	74 = Cherokee 2WD-4 Dr.	81 = Wrangler-93" W.B.
63 = Comanche 4WD-6 Ft. Box	75 = Wagoneer 4WD-4 Dr.	82 = Wrangler-103" W.B.-Exp.
64 = Comanche 2WD-6 Ft. Box		

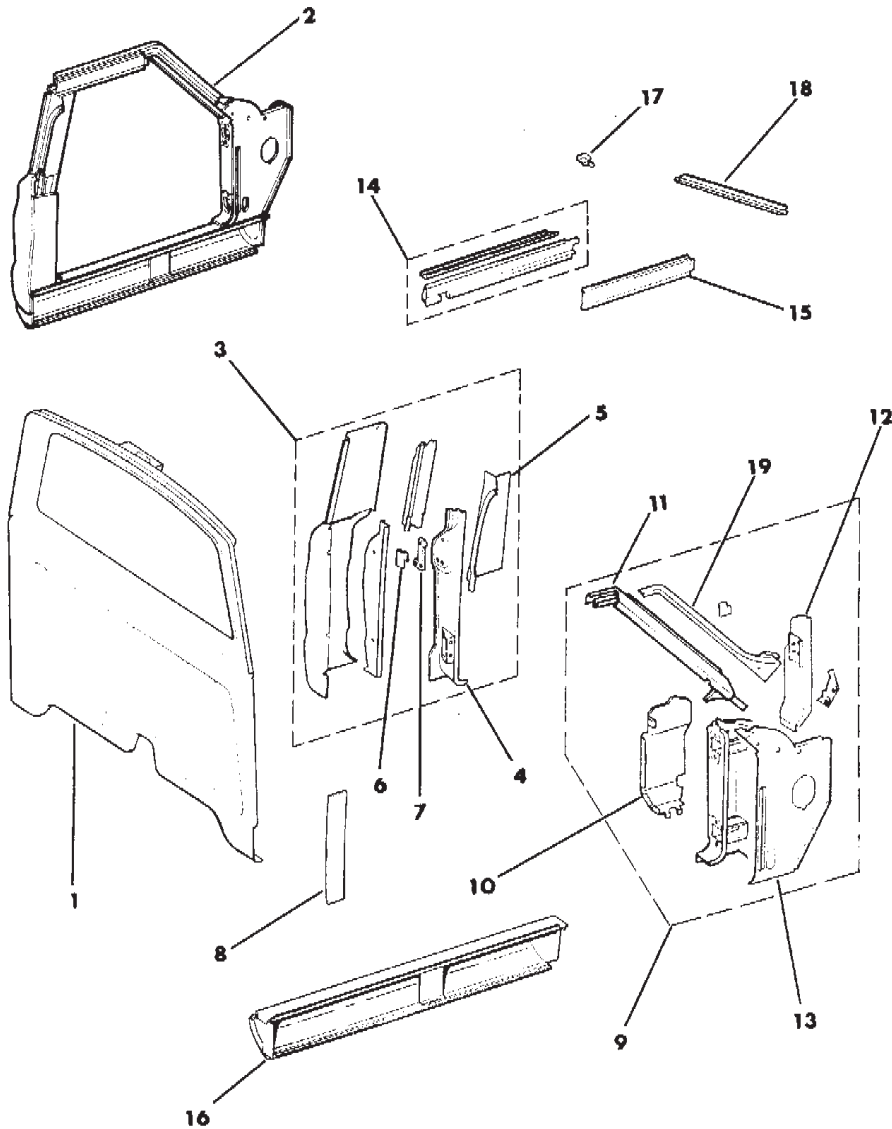
BODY STYLES:

MJ = Comanche Pickup
 SJ = Grand Wagoneer Wgn., J-10 & J-20 Pickups
 XJ = Cherokee, Wagoneer Limited
 YJ = Wrangler

AR = Use as Required - = Non Illustrated Part P.A.R. = Paint as Required

PANELS, BODY SIDE AND REAR 1987-88 J10, J20
Figure 23A-6700

8J69 6700



ITEM	PART NUMBER	QTY	BODY	MODEL	DESCRIPTION
1	J546 1576	1			PANEL, Cab Rear
2	J575 8036-7	1			PANEL, Side
3	J575 0140	1			PANEL, Lock Pillar Right
4	J575 0137	1			Left
5	J575 0139	1			PILLAR, Lock Right
	J575 0136	1			Left
6	J546 1574	1			PANEL, Side Inner Right
	J546 1573	1			Left
7	J575 0092	2			RETAINER, Tapping Plate
8	J575 0091	2			PLATE, Tapping
9	J575 1733	2			PANEL, Lower Finish
10	J575 7492-3	1			PILLAR, Hinge
11	J095 6636	1			PANEL, Cowl Side Right
	J095 6635	1			Left
12	J095 6778	1			PILLAR, Body Right
	J095 6777	1			Left
13	J095 7468	1			PANEL, Cowl Side Right
	J545 0135	1			Left
14	J575 1926	1			PANEL, Inner Right
	J575 8033	1			Left
15	J575 7304	1			RAIL, Roof Outer Right
	J575 7305	1			Left
16	J545 2426	1			RAIL, Roof Inner Right
	J545 2425	1			Left
	J546 5048	1			PANEL, Rocker Right
	J546 5047	1			Left

MODEL CODES:

15 = Grand Wagoneer 4 Dr.	65 = Comanche 4WD-7 Ft. Box	77 = Cherokee 4WD-2 Dr.
25 = J-10 Pickup-119" W.B.	66 = Comanche 2WD-7 Ft. Box	78 = Cherokee 4WD-4 Dr.
26 = J-10 Pickup-131" W.B.	73 = Cherokee 2WD-2 Dr.	79 = Cherokee 4WD-4 Dr.-Com
27 = J-20 Pickup-131" W.B.	74 = Cherokee 2WD-4 Dr.	81 = Wrangler-93" W.B.
63 = Comanche 4WD-6 Ft. Box	75 = Wagoneer 4WD-4 Dr.	82 = Wrangler-103" W.B.-Exp.
64 = Comanche 2WD-6 Ft. Box		

BODY STYLES:

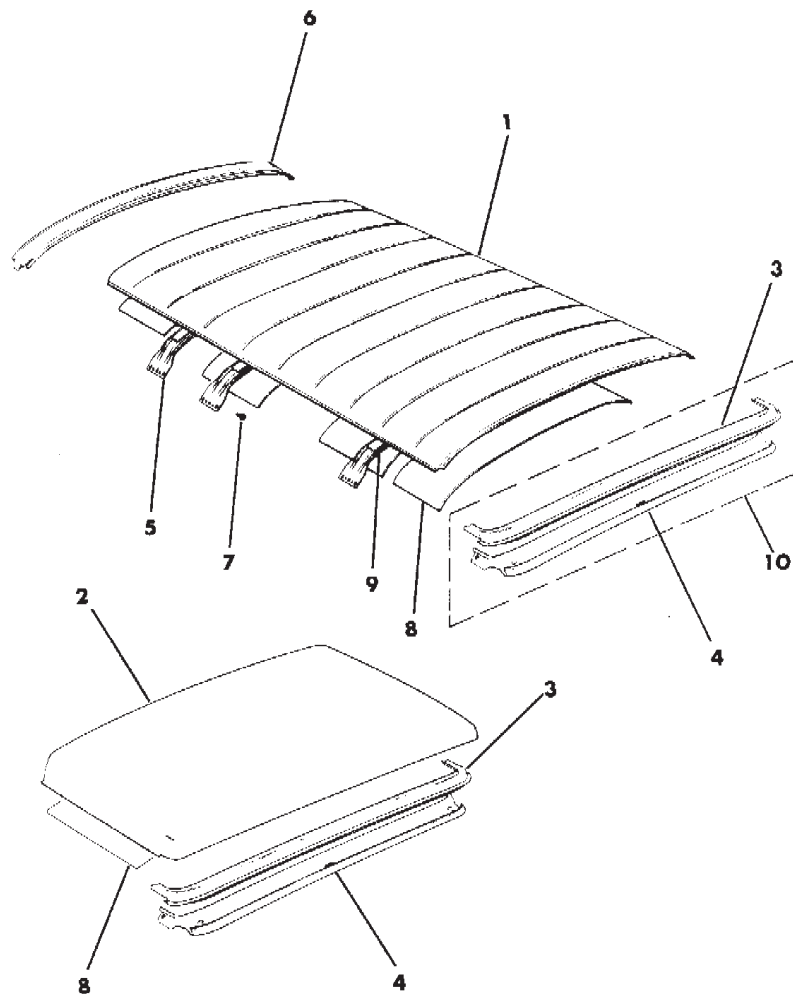
MJ = Comanche Pickup
 SJ = Grand Wagoneer Wgn., J-10 & J-20 Pickups
 XJ = Cherokee, Wagoneer Limited
 YJ = Wrangler

AR = Use as Required - = Non Illustrated Part P.A.R. = Paint as Required

PANELS, ROOF GRAND WAGONEER, J10, J20

Figure 23A-6800

8J 69 6800



ITEM	PART NUMBER	QTY	BODY	MODEL	DESCRIPTION
1	J096 5537	1		15	PANEL, Roof
	8350 5255	1		15	w/o Sunroof
	J575 2418	1		26,27	w/Sunroof Electric
2	J575 2418	1		26,27	PANEL, Roof 1987-88
3	J095 5332	1		26,27	HEADER, Front Upper ***
	5502 1773	1		15	1987-88
					1989-90
4	J545 1430	1		26,27	HEADER, Front Lower ***
	5502 1774	1		15	1987-88
					1989-90
5	J546 9863	3		15	SUPPORT, Roof (Modification Required)
6	J545 5370	1		15	HEADER, Rear ***
7	J400 4884	12		15	SCREW
8	J546 6338	AR			SILENCER
9	J545 4867	3		15	PAD
10	5502 1772	1		15	HEADER, Front, 1987-90 ***

MODEL CODES:

15 = Grand Wagoneer 4 Dr.	65 = Comanche 4WD-7 Ft. Box	77 = Cherokee 4WD-2 Dr.
25 = J-10 Pickup-119" W.B.	66 = Comanche 2WD-7 Ft. Box	78 = Cherokee 4WD-4 Dr.
26 = J-10 Pickup-131" W.B.	73 = Cherokee 2WD-2 Dr.	79 = Cherokee 4WD-4 Dr.-Com
27 = J-20 Pickup-131" W.B.	74 = Cherokee 2WD-4 Dr.	81 = Wrangler-93" W.B.
63 = Comanche 4WD-6 Ft. Box	75 = Wagoneer 4WD-4 Dr.	82 = Wrangler-103" W.B.-Exp.
64 = Comanche 2WD-6 Ft. Box		

BODY STYLES:

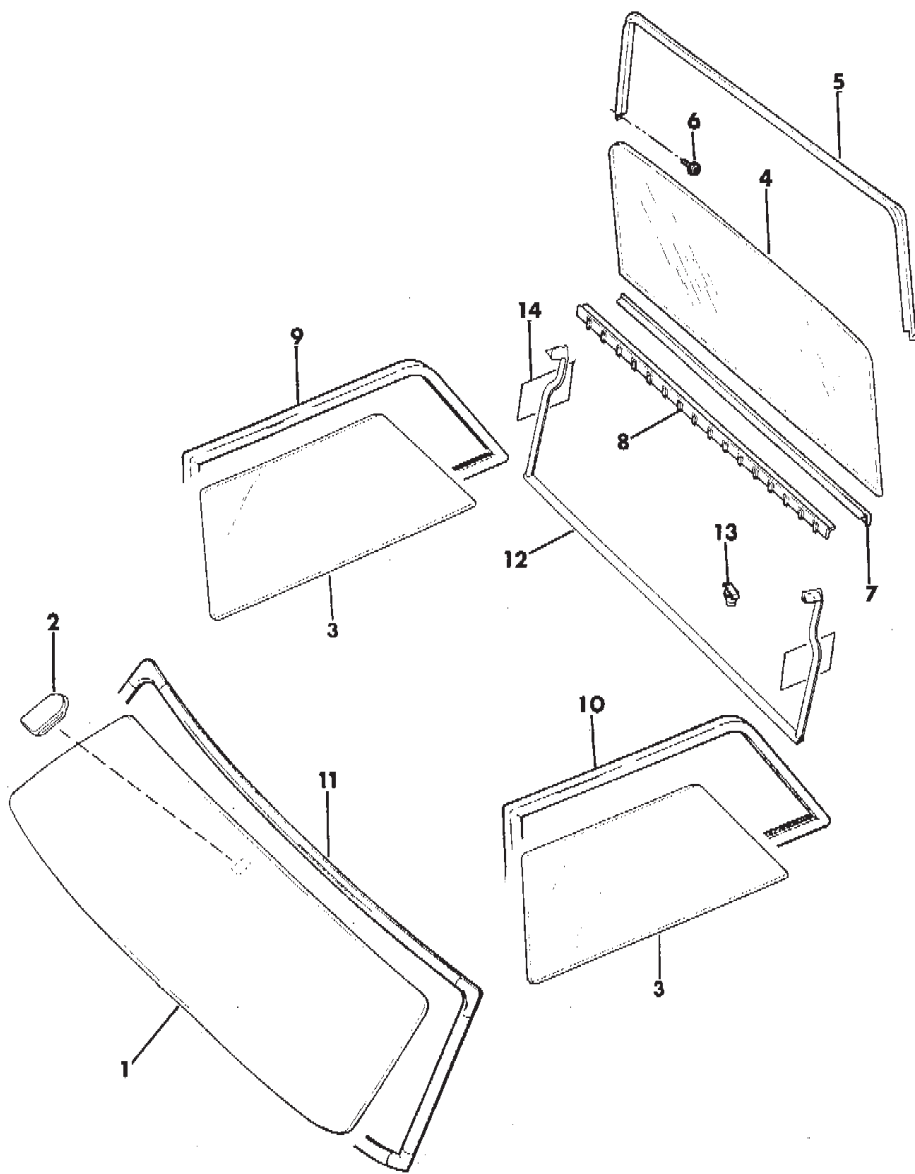
MJ = Comanche Pickup
 SJ = Grand Wagoneer Wgn., J-10 & J-20 Pickups
 XJ = Cherokee, Wagoneer Limited
 YJ = Wrangler

AR = Use as Required - = Non Illustrated Part P.A.R. = Paint as Required

SEALS & GLASS TINTED WINDSHIELD, QUARTER AND TAILGATE GRAND WAGONEER

Figure 23A-6900

8J69-6900 A



ITEM	PART NUMBER	QTY	BODY	MODEL	DESCRIPTION
1	J546 9500	1			GLASS, Windshield
2	J365 7374	1			SUPPORT, Inside Rear View Mirror (a)
3	J546 9536	2			GLASS, Quarter
4	J546 9536	2			GLASS, Tailgate
	J546 9610	1			w/o rear window defogger
	J575 2859	1			w/rear window defogger
5	J545 5966	1			CHANNEL, Glass
6	J400 4171	2			SCREW
7	5505 2566	1			WEATHERSTRIP, Tailgate Outer
8	J546 2332	1			WEATHERSTRIP, Tailgate Inner
9	J546 9532	1			SEAL, Quarter Window
10	J546 9531	1			SEAL, Quarter Window
11	J546 9504	1			SEAL, Windshield
12	J545 1573	1			SEAL, Tailgate Lower
13	J400 1916	11			FASTENER
14	5502 5166	2			WATERDAM, Tailgate Latch ***

(a) The Mirror Support is Replacing Mirror mounting Kit. When Installing a Mirror Support, Use Locktite #312 Adhesive and the Accelerator for Locktite #312.

MODEL CODES:

15 = Grand Wagoneer 4 Dr.	65 = Comanche 4WD-7 Ft. Box	77 = Cherokee 4WD-2 Dr.
25 = J-10 Pickup-119" W.B.	66 = Comanche 2WD-7 Ft. Box	78 = Cherokee 4WD-4 Dr.
26 = J-10 Pickup-131" W.B.	73 = Cherokee 2WD-2 Dr.	79 = Cherokee 4WD-4 Dr.-Com
27 = J-20 Pickup-131" W.B.	74 = Cherokee 2WD-4 Dr.	81 = Wrangler-93" W.B.
63 = Comanche 4WD-6 Ft. Box	75 = Wagoneer 4WD-4 Dr.	82 = Wrangler-103" W.B.-Exp.
64 = Comanche 2WD-6 Ft. Box		

BODY STYLES:

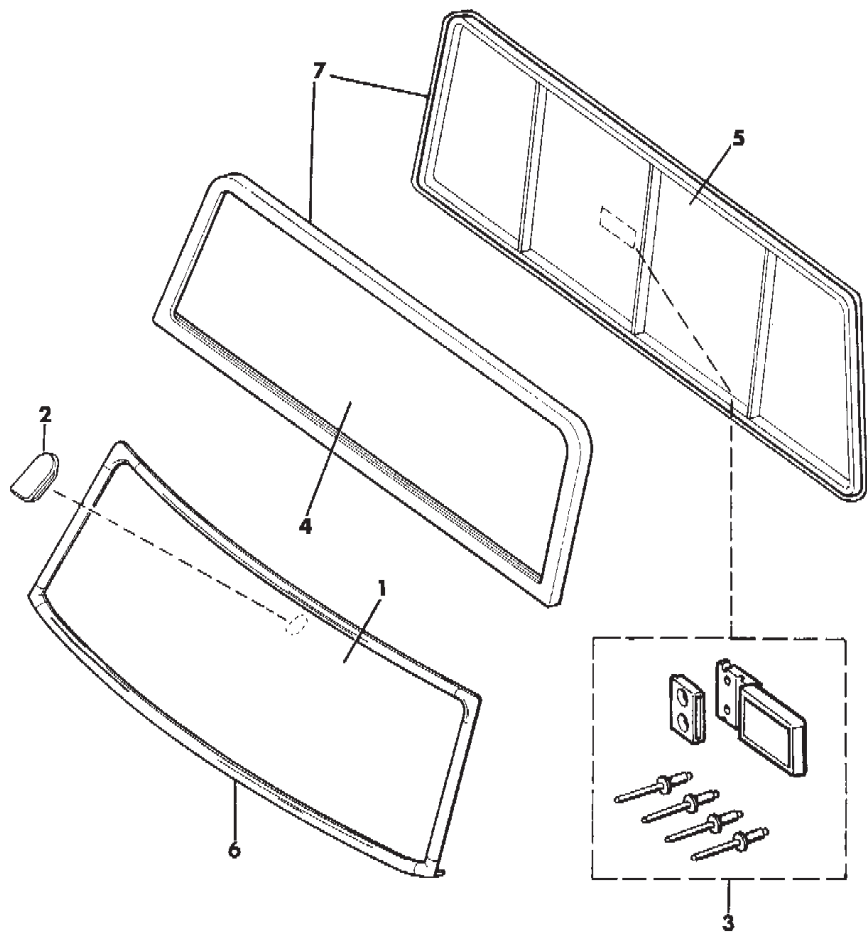
MJ = Comanche Pickup
 SJ = Grand Wagoneer Wgn., J-10 & J-20 Pickups
 XJ = Cherokee, Wagoneer Limited
 YJ = Wrangler

AR = Use as Required - = Non Illustrated Part P.A.R. = Paint as Required

GLASS, SEALS WINDSHIELD AND REAR WINDOW J10, J20

Figure 23A-7000

8J69 7000A



ITEM	PART NUMBER	QTY	BODY	MODEL	DESCRIPTION
1	J546 9500	1			GLASS, Windshield
2	J365 7374	1			SUPPORT, Mirror (Use locktite)
3	J812 9269	1			LOCK KIT
4	J546 9602	1			GLASS, Rear Window Tinted
5	J575 6177	1			Tinted, Export
	J899 7259	1			GLASS, Rear Window, Sliding Clear
	J575 7311	1			Clear, Export
6	J546 9504	1			SEAL, Windshield
7	J546 9603	1			SEAL, Rear Window

MODEL CODES:

15 = Grand Wagoneer 4 Dr.	65 = Comanche 4WD-7 Ft. Box	77 = Cherokee 4WD-2 Dr.
25 = J-10 Pickup-119" W.B.	66 = Comanche 2WD-7 Ft. Box	78 = Cherokee 4WD-4 Dr.
26 = J-10 Pickup-131" W.B.	73 = Cherokee 2WD-2 Dr.	79 = Cherokee 4WD-4 Dr.-Com
27 = J-20 Pickup-131" W.B.	74 = Cherokee 2WD-4 Dr.	81 = Wrangler-93" W.B.
63 = Comanche 4WD-6 Ft. Box	75 = Wagoneer 4WD-4 Dr.	82 = Wrangler-103" W.B.-Exp.
64 = Comanche 2WD-6 Ft. Box		

BODY STYLES:

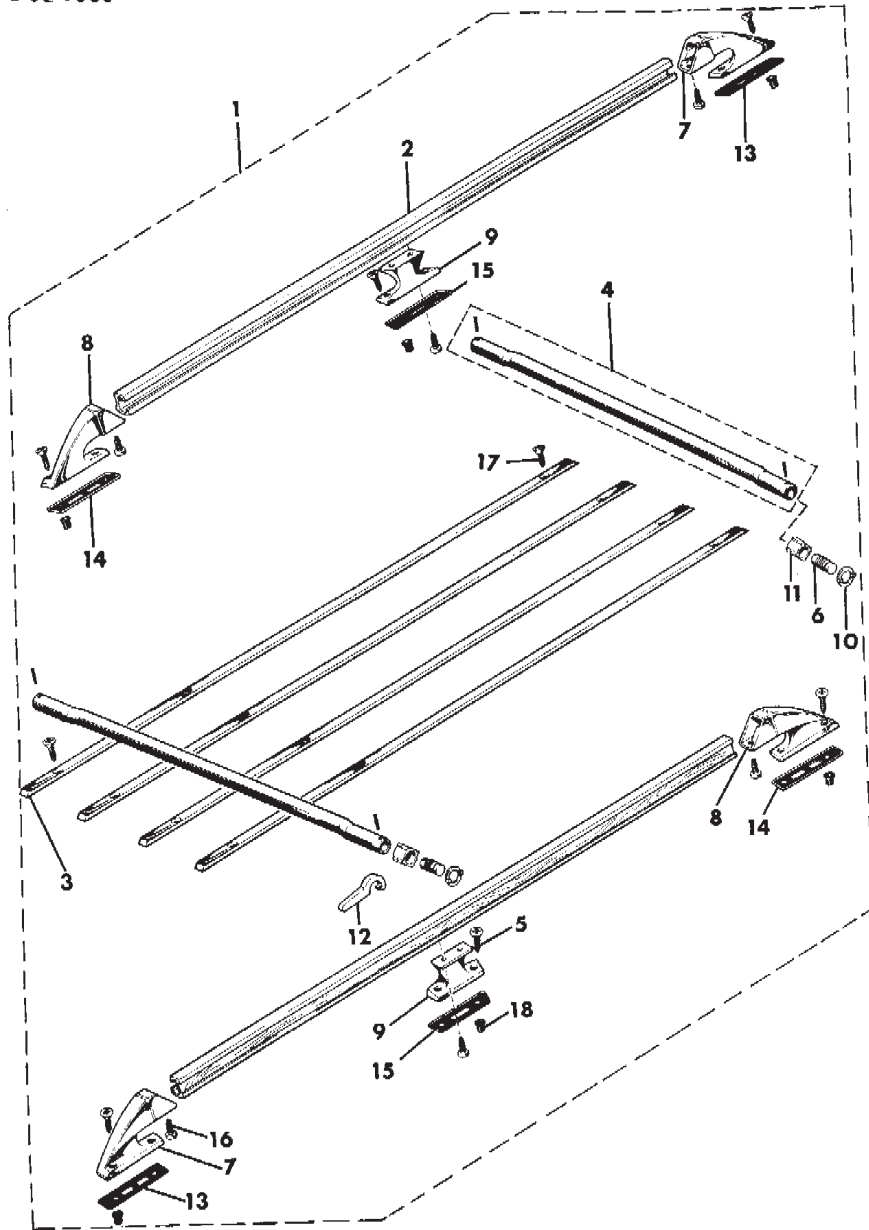
MJ = Comanche Pickup
 SJ = Grand Wagoneer Wgn., J-10 & J-20 Pickups
 XJ = Cherokee, Wagoneer Limited
 YJ = Wrangler

AR = Use as Required - = Non Illustrated Part P.A.R. = Paint as Required

RACK--ROOF LUGGAGE GRAND WAGONEER 1987

Figure 23A-7050

8 J 69 7050



ITEM	PART NUMBER	QTY	BODY	MODEL	DESCRIPTION
1	J899 7039	1			RACK PACKAGE, (Not Serv.) ***
2	J546 9360	2			RAIL, Side
3	5505 2610	4			STRIP, Skid
4	J546 5669	2			RAIL, Cross
5	S941 6343	12			SCREW
6	J546 5670	4			STUD
7	J546 5663	2			SUPPORT, Side Rail
8	J546 5664	2			SUPPORT, Side Rail
9	J546 5675	2			SUPPORT, Center
10	J546 5667	4			WASHER
11	J546 5671	4			NUT
12	J546 5672	1			WRENCH, Cross Rail Adjusting ***
13	J546 5666	2			PAD
14	J546 5665	2			PAD
15	J546 5676	2			PAD
16	J812 0052	8			SCREW
17	J400 6401	12			SCREW
18	J400 3120	12			NUT, Well

MODEL CODES:

15 = Grand Wagoneer 4 Dr.	65 = Comanche 4WD-7 Ft. Box	77 = Cherokee 4WD-2 Dr.
25 = J-10 Pickup-119" W.B.	66 = Comanche 2WD-7 Ft. Box	78 = Cherokee 4WD-4 Dr.
26 = J-10 Pickup-131" W.B.	73 = Cherokee 2WD-2 Dr.	79 = Cherokee 4WD-4 Dr.-Com
27 = J-20 Pickup-131" W.B.	74 = Cherokee 2WD-4 Dr.	81 = Wrangler-93" W.B.
63 = Comanche 4WD-6 Ft. Box	75 = Wagoneer 4WD-4 Dr.	82 = Wrangler-103" W.B.-Exp.
64 = Comanche 2WD-6 Ft. Box		

BODY STYLES:

MJ = Comanche Pickup
 SJ = Grand Wagoneer Wgn., J-10 & J-20 Pickups
 XJ = Cherokee, Wagoneer Limited
 YJ = Wrangler

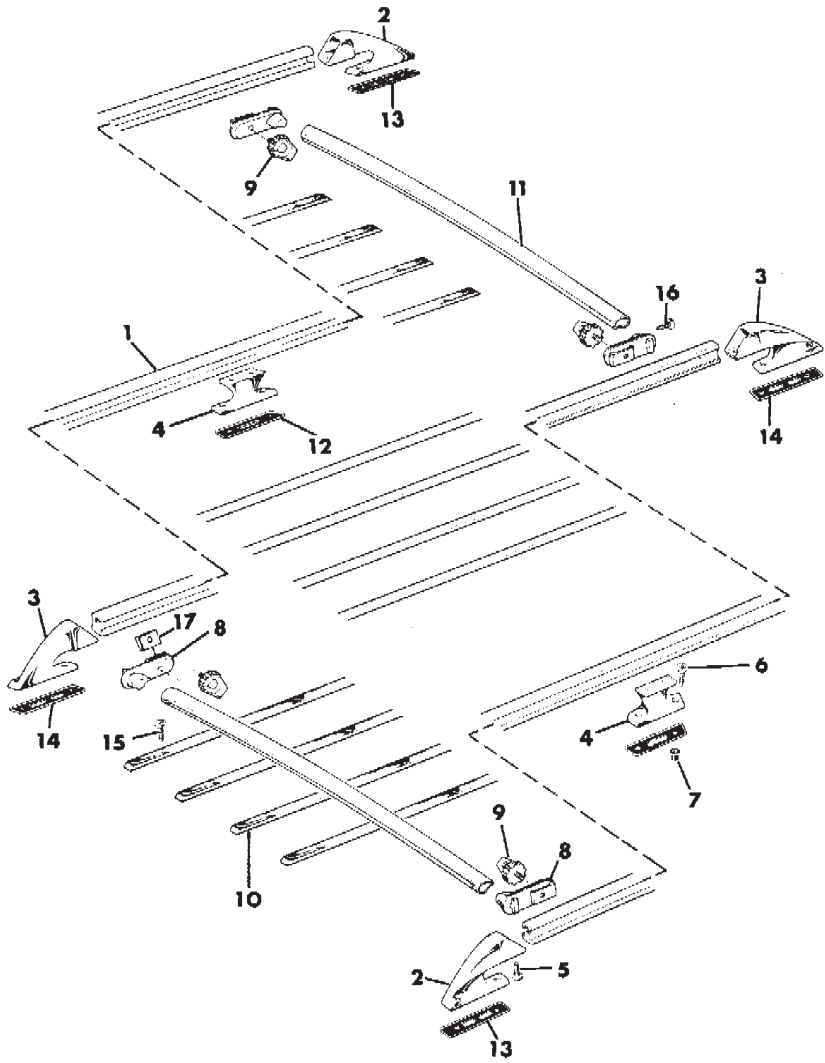
AR = Use as Required - = Non Illustrated Part P.A.R. = Paint as Required

RACK--ROOF LUGGAGE GRAND WAGONEER 1988-90

Figure 23A-7100

8J69 7100

ITEM	PART NUMBER	QTY	BODY	MODEL	DESCRIPTION
1	J546 9360	2			RAIL, Side
2	J546 5663	2			SUPPORT, Side Rail Left Front and Right Rear
3	J546 5664	2			SUPPORT, Side Rail Right Front and Left Rear
4	J546 5675	2			SUPPORT, Center
5	J812 0052	8			SCREW
6	S941 6343	12			SCREW
7	J400 3120	12			NUT, Well
8					SLIDE, Side Rail
	5501 9486	2			Right
	8350 5569	2			Left
9	3502 2075	4			LOOP, Cargo Tie Down
10	5505 2610	4			STRIP, Skid
11	5501 9382	2			RAIL, Cross
12	J546 5676	2			PAD
13	J546 5666	2			PAD, Left Front and Right Rear ***
14	J546 5665	2			PAD, Right Front and Left Rear ***
15	J400 6401	12			SCREW
16	J016 3162	4			SCREW
17	5501 9490	4			PLATE, Tapping



MODEL CODES:

15 = Grand Wagoneer 4 Dr.	65 = Comanche 4WD-7 Ft. Box	77 = Cherokee 4WD-2 Dr.
25 = J-10 Pickup-119" W.B.	66 = Comanche 2WD-7 Ft. Box	78 = Cherokee 4WD-4 Dr.
26 = J-10 Pickup-131" W.B.	73 = Cherokee 2WD-2 Dr.	79 = Cherokee 4WD-4 Dr.-Com
27 = J-20 Pickup-131" W.B.	74 = Cherokee 2WD-4 Dr.	81 = Wrangler-93" W.B.
63 = Comanche 4WD-6 Ft. Box	75 = Wagoneer 4WD-4 Dr.	82 = Wrangler-103" W.B.-Exp.
64 = Comanche 2WD-6 Ft. Box		

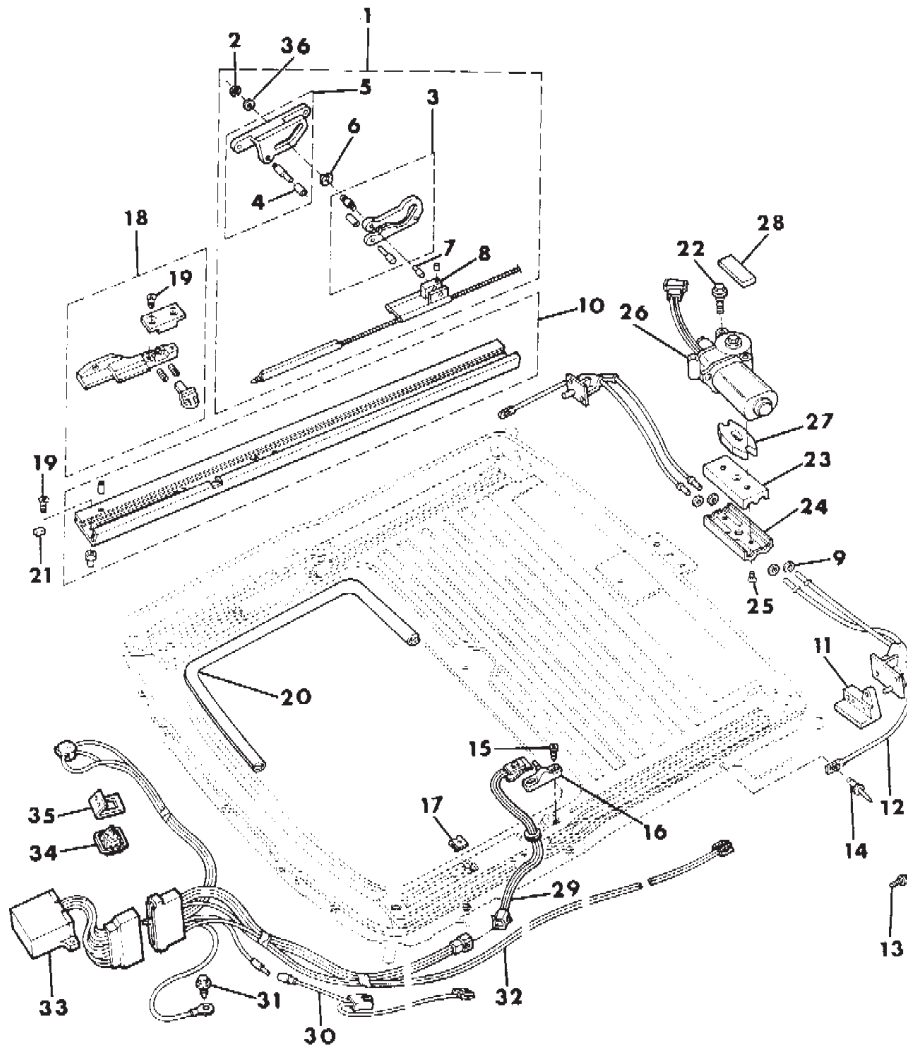
BODY STYLES:

MJ = Comanche Pickup
 SJ = Grand Wagoneer Wgn., J-10 & J-20 Pickups
 XJ = Cherokee, Wagoneer Limited
 YJ = Wrangler

AR = Use as Required - = Non Illustrated Part P.A.R. = Paint as Required

SUNROOF TRACK AND ELECTRICAL GRAND WAGONEER
Figure 23A-7200

8J69 7200



ITEM	PART NUMBER	QTY	BODY	MODEL	DESCRIPTION
1					GUIDE ASSEMBLY
					1988
	8350 5329	1			Right
	8350 5330	1			Left
	8350 5644-5	1			1989-90
2	8350 5339	2			RETAINER
3					LINK ASSEMBLY ***
	8350 5336-7	1			1988-89
	4467 931	2			1990
4					SLEEVE
	8350 5335	AR			1988-89
	4467 925	AR			1990
5					BLOCK PACKAGE, Sunroof ***
	8350 5386-7	1			1988-89
	4467 928-9	1			1990
6	8350 5341	2			WASHER, Wave
7					PIN
	8350 5340	2			1988-89
	4467 932	2			1990
8					GUIDE ASSEMBLY
					Right
	8350 5331	1			1988
	8350 5642	1			1989-90
					Left
	8350 5332	1			1988
	8350 5643	1			1989-90
9					SEAL
	8350 5320	AR			1988-89
	4467 920	AR			1990
10	8350 5312-3	1			TRACK ASSEMBLY ***
11	8350 5318-9	1			RETAINER
12	8350 5316-7	1			TUBE ASSEMBLY, Cable ***
13	8350 5380	AR			BOLT
14	8350 5321	1			RIVET
15	8350 5345	2			SCREW
16					ACTUATOR
	8350 5344	1			1988-89

MODEL CODES:

15 = Grand Wagoneer 4 Dr.	65 = Comanche 4WD-7 Ft. Box	77 = Cherokee 4WD-2 Dr.
25 = J-10 Pickup-119" W.B.	66 = Comanche 2WD-7 Ft. Box	78 = Cherokee 4WD-4 Dr.
26 = J-10 Pickup-131" W.B.	73 = Cherokee 2WD-2 Dr.	79 = Cherokee 4WD-4 Dr.-Com
27 = J-20 Pickup-131" W.B.	74 = Cherokee 2WD-4 Dr.	81 = Wrangler-93" W.B.
63 = Comanche 4WD-6 Ft. Box	75 = Wagoneer 4WD-4 Dr.	82 = Wrangler-103" W.B.-Exp.
64 = Comanche 2WD-6 Ft. Box		

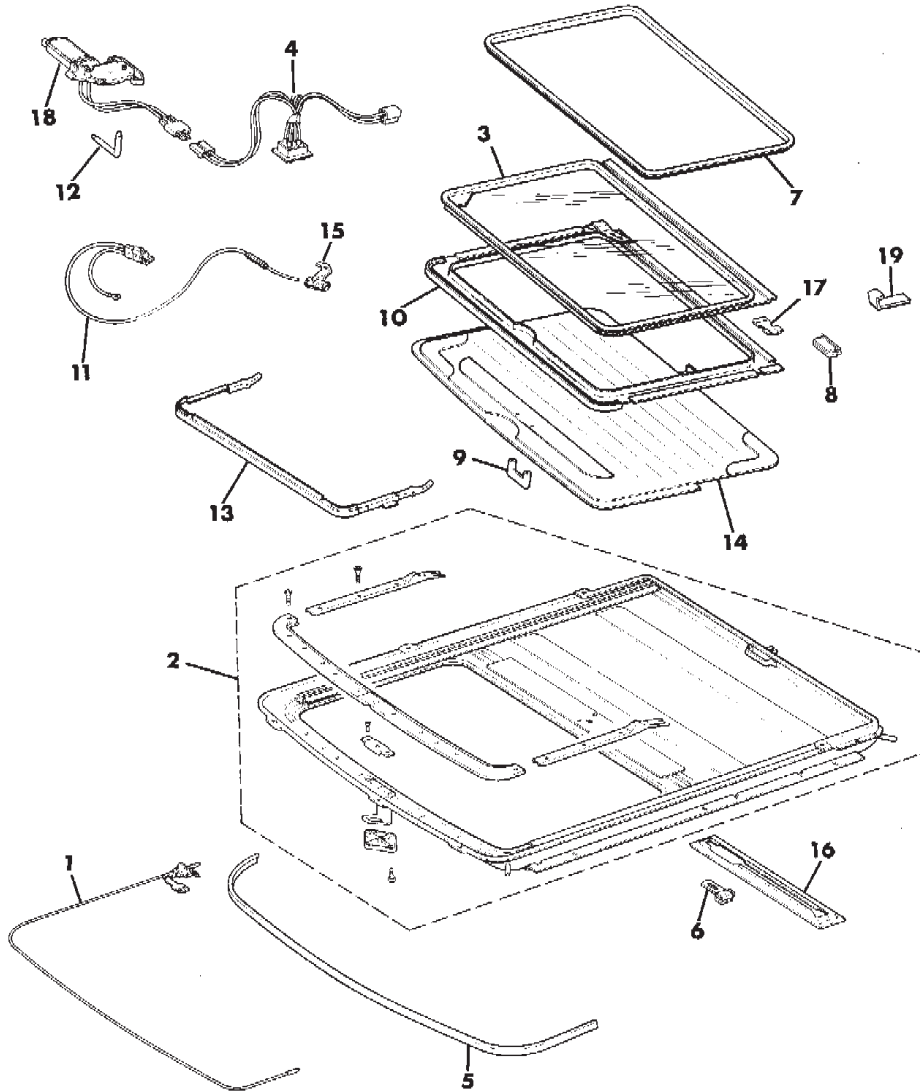
BODY STYLES:

MJ = Comanche Pickup
 SJ = Grand Wagoneer Wgn., J-10 & J-20 Pickups
 XJ = Cherokee, Wagoneer Limited
 YJ = Wrangler

AR = Use as Required - = Non Illustrated Part P.A.R. = Paint as Required

SUNROOF--SLIDING GRAND WAGONEER--1987
Figure 23A-7250

8 J69 7250



ITEM	PART NUMBER	QTY	BODY	MODEL	DESCRIPTION
1	J813 3198-9	1			CABLE
2	8350 3304	1			HOUSING ASSEMBLY
3	8350 3305	1			GLASS, (Silver)
4	8350 2850	1			SWITCH
5	8350 3306	1			SEAL
6	J813 3204	2			GUIDE
7	8350 2852	1			MOULDING
8	J813 3208	2			CATCH
9	8350 2161	1			HANDLE, Sun Screen (P.A.R.)
10	J813 3210	1			HALO
11	J813 3211	1			WIRE
12	J813 3212	1			HANDLE
13	8350 2851	1			DEFLECTOR, Air
14					SUNSCREEN ***
	8350 4517	1			(Cordovan)
	8350 4516	1			(Tan)
15	J318 6888	AR			CONNECTOR, Splice
16	J813 3215	1			BRACKET
17	J813 3335	2			RETAINER
18	J813 3219	1			MOTOR
19	8350 5583	2			CLIP

MODEL CODES:

15 = Grand Wagoneer 4 Dr.	65 = Comanche 4WD-7 Ft. Box	77 = Cherokee 4WD-2 Dr.
25 = J-10 Pickup-119" W.B.	66 = Comanche 2WD-7 Ft. Box	78 = Cherokee 4WD-4 Dr.
26 = J-10 Pickup-131" W.B.	73 = Cherokee 2WD-2 Dr.	79 = Cherokee 4WD-4 Dr.-Com
27 = J-20 Pickup-131" W.B.	74 = Cherokee 2WD-4 Dr.	81 = Wrangler-93" W.B.
63 = Comanche 4WD-6 Ft. Box	75 = Wagoneer 4WD-4 Dr.	82 = Wrangler-103" W.B.-Exp.
64 = Comanche 2WD-6 Ft. Box		

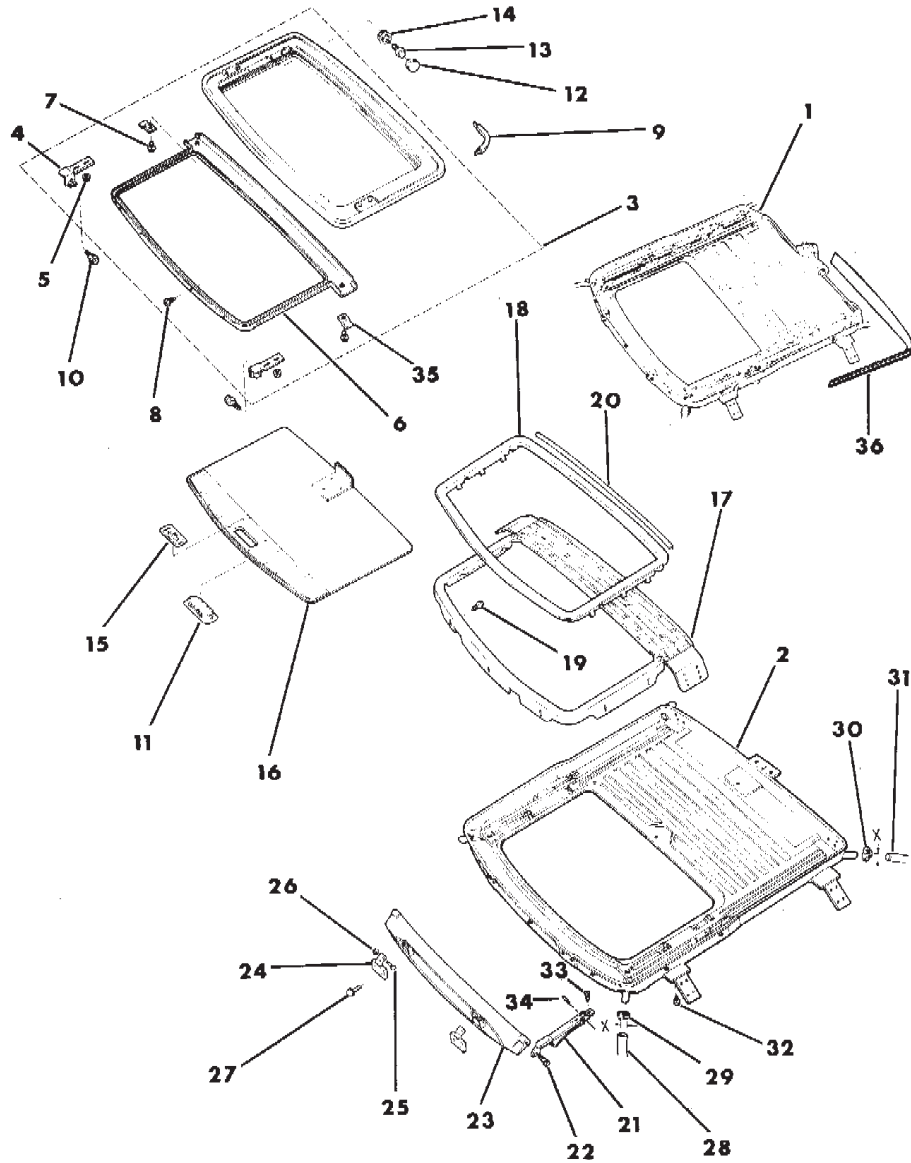
BODY STYLES:

MJ = Comanche Pickup
 SJ = Grand Wagoneer Wgn., J-10 & J-20 Pickups
 XJ = Cherokee, Wagoneer Limited
 YJ = Wrangler

AR = Use as Required - = Non Illustrated Part P.A.R. = Paint as Required

SUNROOF SLIDING GLASS AND HOUSING GRAND WAGONEER
Figure 23A-7300

8 J 69 7300



ITEM	PART NUMBER	QTY	BODY	MODEL	DESCRIPTION
1	8350 5300	1			HOUSING ASSEMBLY, Complete ***
2	8350 5382	1			HOUSING ASSEMBLY ***
3	8350 5348	1			GLASS PACKAGE, Sunroof ***
4					BRACKET ASSEMBLY ***
					1988-89
	8350 5349	1			Right
	8350 5350	1			Left
					1990
	4467 940-1	1			
5	8350 5351	4			NUT
6	8350 5353	1			BEZEL
7	8350 5354	2			SCREW
8	J045 7002	AR			SCREW
9	4467 939	1			INSERT, Bulk
10					BOLT
	8350 5352	AR			1988-89
	4467 942	AR			1990
11	8350 5357	1			HANDLE, Sun Screen
12					CAP
	8350 5378	2			1988-89
	4467 953	2			1990
13	8350 5347	2			BOLT
14					RETAINER
	8350 5346	2			1988-89
	4467 937	2			1990
15	8350 5358	1			BEZEL
16					SUNSCREEN ***
	8350 5356	1			Cordovan
	5252 178	1			Sand
	8350 5355	1			Tan, 1988
17	8350 5359	1			REINFORCEMENT
18	8350 5360	1			MOLDING
19					BOLT
	8350 5377	AR			1988-89
	4467 951	AR			1990
20	8350 5361	1			SHIM
21	8350 5307	2			ARM ASSEMBLY, Pivot ***

MODEL CODES:

15 = Grand Wagoneer 4 Dr.	65 = Comanche 4WD-7 Ft. Box	77 = Cherokee 4WD-2 Dr.
25 = J-10 Pickup-119" W.B.	66 = Comanche 2WD-7 Ft. Box	78 = Cherokee 4WD-4 Dr.
26 = J-10 Pickup-131" W.B.	73 = Cherokee 2WD-2 Dr.	79 = Cherokee 4WD-4 Dr.-Com
27 = J-20 Pickup-131" W.B.	74 = Cherokee 2WD-4 Dr.	81 = Wrangler-93" W.B.
63 = Comanche 4WD-6 Ft. Box	75 = Wagoneer 4WD-4 Dr.	82 = Wrangler-103" W.B.-Exp.
64 = Comanche 2WD-6 Ft. Box		

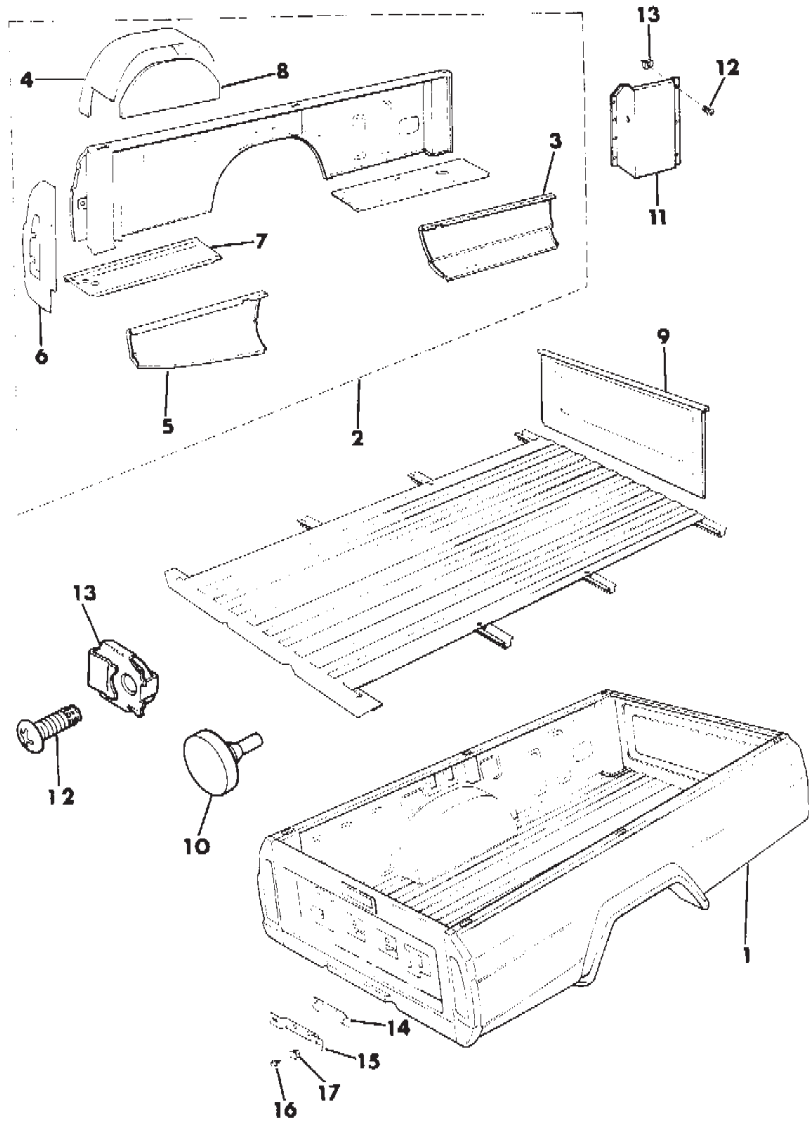
BODY STYLES:

MJ = Comanche Pickup
 SJ = Grand Wagoneer Wgn., J-10 & J-20 Pickups
 XJ = Cherokee, Wagoneer Limited
 YJ = Wrangler

AR = Use as Required - = Non Illustrated Part P.A.R. = Paint as Required

BOX, PICKUP 1987-1988 J10, J20
Figure 23A-7400

8J69 7400



ITEM	PART NUMBER	QTY	BODY	MODEL	DESCRIPTION
1	J575 1163	1			BOX, Pickup
2	J545 9773	1			PANEL, Side Right
	J546 3935	1			Left
3	J098 1320	1			SHIELD, Front Right (Not Serv.)
	J098 1319	1			Left
4	J095 7183	2			FENDER, Pickup Box
					SHIELD, Rear
5	J095 7232	1			Right
	J095 7231	1			Left
6	J545 9746	1			PANEL, Rear Right
	J545 9745	1			Left
7	J098 8814	1			EXTENSION, Floor Right
	J098 8813	1			Left
8	J095 7180	2			PANEL, Wheelhouse Inner
9	J095 7697	1			PANEL, Pickup Box Front
10	J096 8072	2			BUMPER, Stop
11	J546 5051	1			COVER, Fuel Tank Hose
12	S941 5482	7			SCREW
13	J097 2619	4			RETAINER
14	J093 1389	1			BRACKET
15	J575 8832	1			HINGE
16	J400 5466	2			SCREW
17	J400 0141	2			NUT

MODEL CODES:

15 = Grand Wagoneer 4 Dr.	65 = Comanche 4WD-7 Ft. Box	77 = Cherokee 4WD-2 Dr.
25 = J-10 Pickup-119" W.B.	66 = Comanche 2WD-7 Ft. Box	78 = Cherokee 4WD-4 Dr.
26 = J-10 Pickup-131" W.B.	73 = Cherokee 2WD-2 Dr.	79 = Cherokee 4WD-4 Dr.-Com.
27 = J-20 Pickup-131" W.B.	74 = Cherokee 2WD-4 Dr.	81 = Wrangler-93" W.B.
63 = Comanche 4WD-6 Ft. Box	75 = Wagoneer 4WD-4 Dr.	82 = Wrangler-103" W.B.-Exp.
64 = Comanche 2WD-6 Ft. Box		

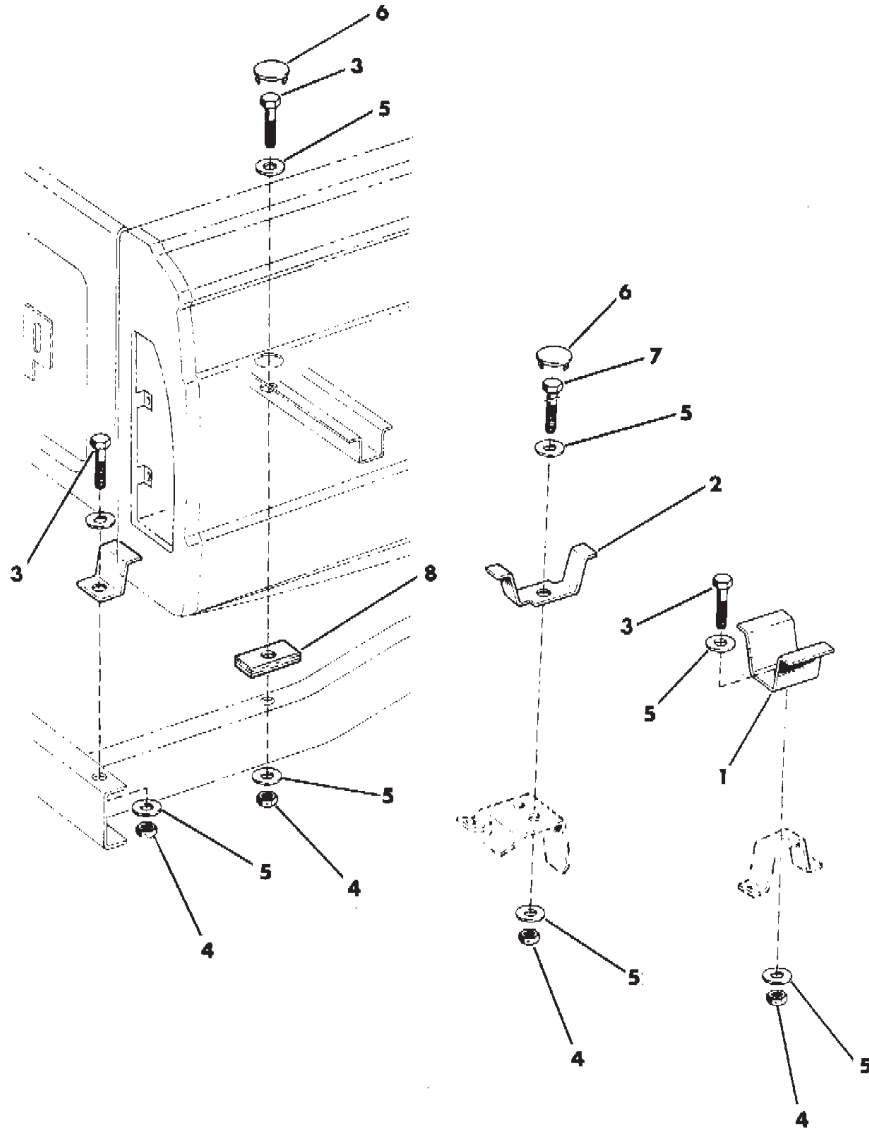
BODY STYLES:

MJ = Comanche Pickup
 SJ = Grand Wagoneer Wgn., J-10 & J-20 Pickups
 XJ = Cherokee, Wagoneer Limited
 YJ = Wrangler

AR = Use as Required - = Non Illustrated Part P.A.R. = Paint as Required

MOUNTING HARDWARE, PICKUP BOX 1987-1988 J10, J20
Figure 23A-7500

8 J 69 7500



ITEM	PART NUMBER	QTY	BODY	MODEL	DESCRIPTION
1	J095 7538	2			BRACKET
2	J095 9359	2			BRACKET
3	J941 9105	2			BOLT, Hex Flange
4	J400 4025	2			NUT, Lock
5	S012 0390	8			WASHER, Flat
6	J400 6453	4			PLUG, Button
7	J400 4935	2			SCREW
8	J067 0540	2			PAD

MODEL CODES:

15 = Grand Wagoneer 4 Dr.	65 = Comanche 4WD-7 Ft. Box	77 = Cherokee 4WD-2 Dr.
25 = J-10 Pickup-119" W.B.	66 = Comanche 2WD-7 Ft. Box	78 = Cherokee 4WD-4 Dr.
26 = J-10 Pickup-131" W.B.	73 = Cherokee 2WD-2 Dr.	79 = Cherokee 4WD-4 Dr.-Com
27 = J-20 Pickup-131" W.B.	74 = Cherokee 2WD-4 Dr.	81 = Wrangler-93" W.B.
63 = Comanche 4WD-6 Ft. Box	75 = Wagoneer 4WD-4 Dr.	82 = Wrangler-103" W.B.-Exp.
64 = Comanche 2WD-6 Ft. Box		

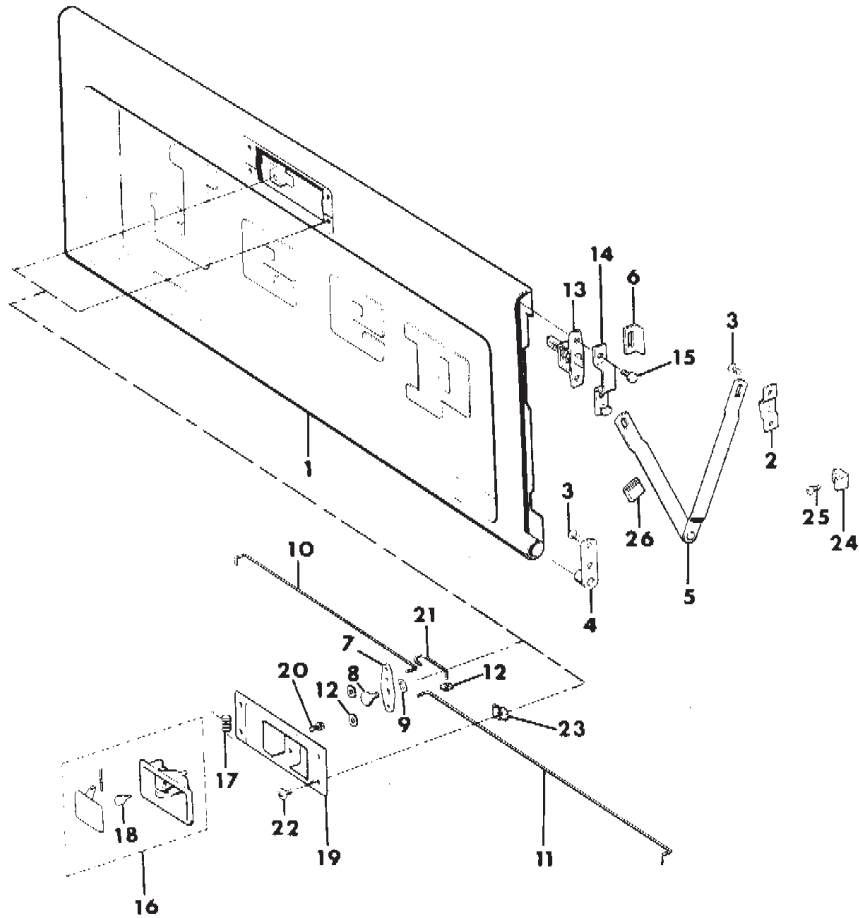
BODY STYLES:

MJ = Comanche Pickup
SJ = Grand Wagoneer Wgn., J-10 & J-20 Pickups
XJ = Cherokee, Wagoneer Limited
YJ = Wrangler

AR = Use as Required - = Non Illustrated Part P.A.R. = Paint as Required

TAILGATE, LATCH AND HINGES 1987-1988 J10, J20
Figure 23A-7600

8J69 7600



ITEM	PART NUMBER	QTY	BODY	MODEL	DESCRIPTION
1	J098 7818	1			TAILGATE, Pickup Box
2	J098 9434	1			BRACKET, Support
3	J400 4956	8			SCREW
4	J098 9017	1			HINGE, Tailgate Right
	J098 7811	1			Left
5	J098 7829	2			ARM, Tailgate Support
6	J575 2451	2			STRIKER, Latch
7	J098 9216	1			BELLCRANK
8	J098 9217	1			BOLT, Shoulder
9	J095 8629	1			WASHER, Spring
10	J098 7825	1			ROD, Latch Release Left
11	J098 9218	1			ROD, Latch Release Right
12	J097 0738	3			NUT, Push
13	J098 7824	2			LATCH
14	J098 9349	2			BRACKET, Support
15	J400 4455	4			SCREW
16	J363 1162	1			HANDLE, Tailgate
17	J363 1218	1			SPRING, Handle
18	J400 3110	1			BUMPER
19	J545 0001	1			PLATE, Latch
20	J098 9963	2			SCREW
21	J098 9221	1			ROD
22	J545 0283	4			SCREW
23	J097 2619	4			RETAINER
24	J545 4927	2			BUMPER
25	J400 4590	2			SCREW
26	J096 1095	2			SLEEVE

MODEL CODES:

15 = Grand Wagoneer 4 Dr.	65 = Comanche 4WD-7 Ft. Box	77 = Cherokee 4WD-2 Dr.
25 = J-10 Pickup-119" W.B.	66 = Comanche 2WD-7 Ft. Box	78 = Cherokee 4WD-4 Dr.
26 = J-10 Pickup-131" W.B.	73 = Cherokee 2WD-2 Dr.	79 = Cherokee 4WD-4 Dr.-Com
27 = J-20 Pickup-131" W.B.	74 = Cherokee 2WD-4 Dr.	81 = Wrangler-93" W.B.
63 = Comanche 4WD-6 Ft. Box	75 = Wagoneer 4WD-4 Dr.	82 = Wrangler-103" W.B.-Exp.
64 = Comanche 2WD-6 Ft. Box		

BODY STYLES:

MJ = Comanche Pickup
 SJ = Grand Wagoneer Wgn., J-10 & J-20 Pickups
 XJ = Cherokee, Wagoneer Limited
 YJ = Wrangler

AR = Use as Required - = Non Illustrated Part P.A.R. = Paint as Required