

## Sam Maloof Joinery Bits By Woodline USA

Sam Maloof is widely recognized as one of Americas foremost craftsmen. As a master woodworker he has perfected his joinery to a level of perfection that is astounding. To aid in his work he developed some very special router bits. Woodline USA is the exclusive official manufacturer of Sam Maloof's precision joinery router bits for joinery.

There are 3 different bits sets in the joinery system.

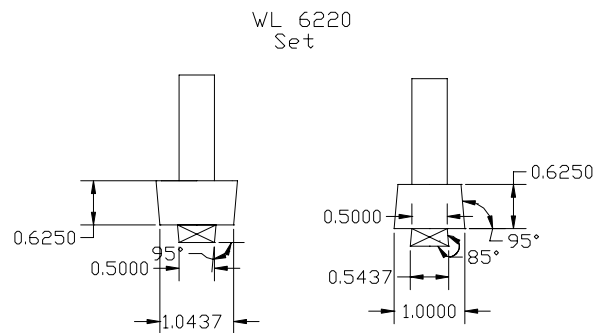
The WL 6220 has an angle of 5 degrees and is used on the Sam Maloof Signature rocking chair to join the arms and legs to the bottom of the chair.

The WL 6221 is similar to the 6220 but has an angle of 3 degrees and is used in straight chairs and other right angle interlocked dovetail joints.

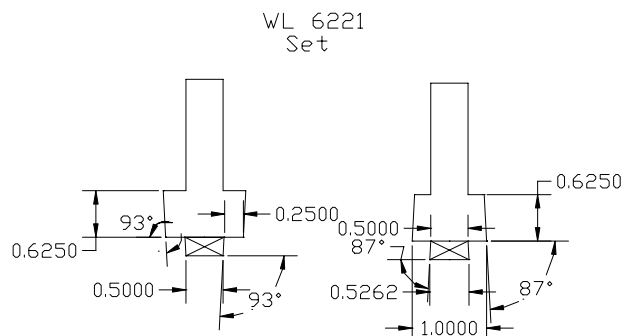
The WL 6222 has no included angle (0 degrees) and is used for joinery in other areas of Sam's furniture

The bits have tight tolerances. A 1/2" roundover bit is also used to make the legs fit in the joint.

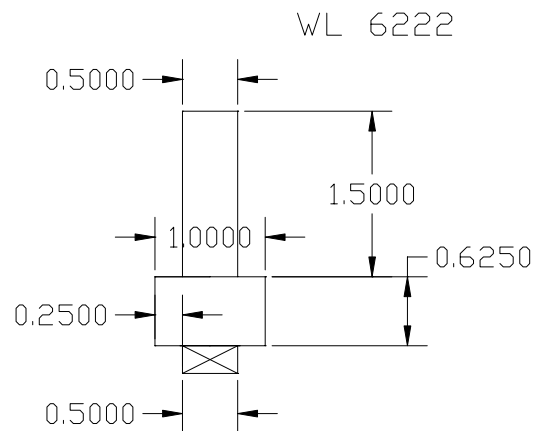
Call Woodline USA at 1-800-472-6950 to obtain a set of Sam Maloof Joinery bits.



Note that bearing has a



Note that bearing has a 3 Degree slope to the face to match bit angle



Woodline **does not** offer technical assistance on the making of the joint. Many wood working schools offer classes in Sam Maloof style furniture building.